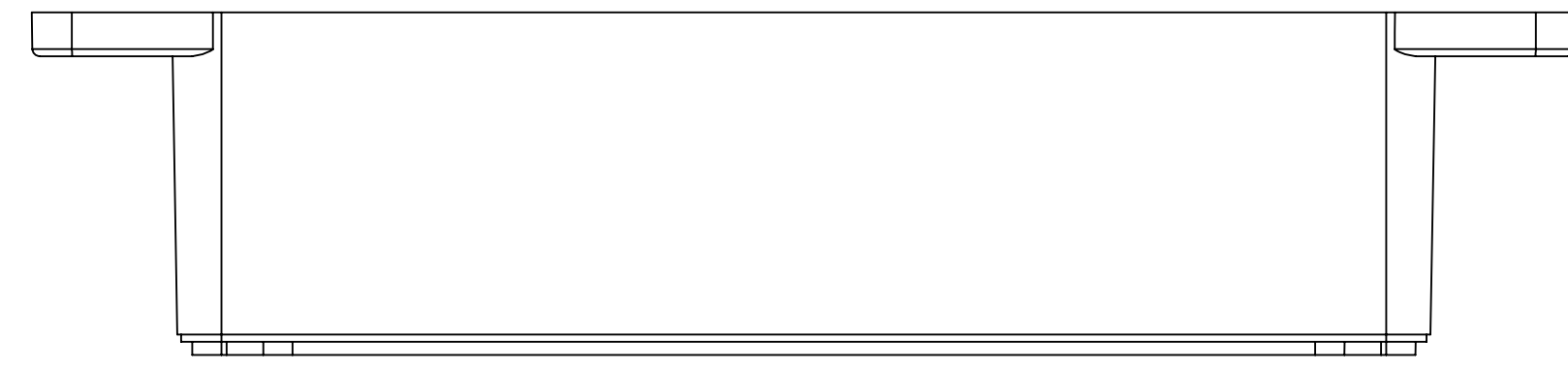
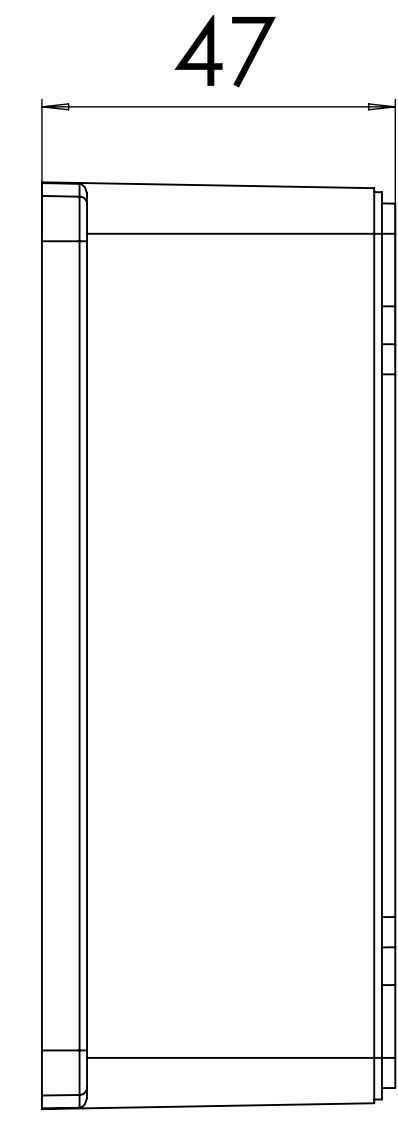


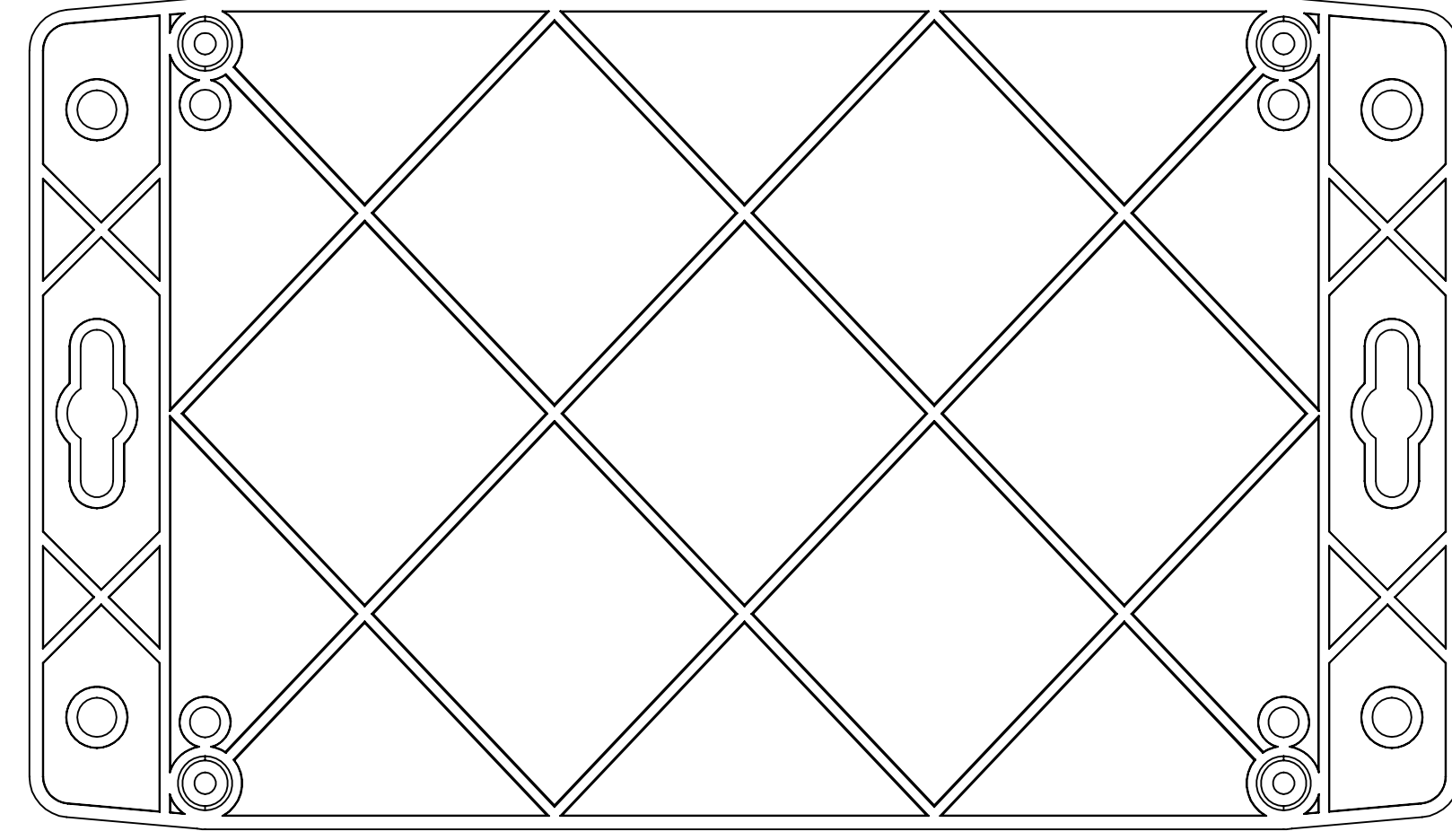
**BASE: 6 SURFACE**



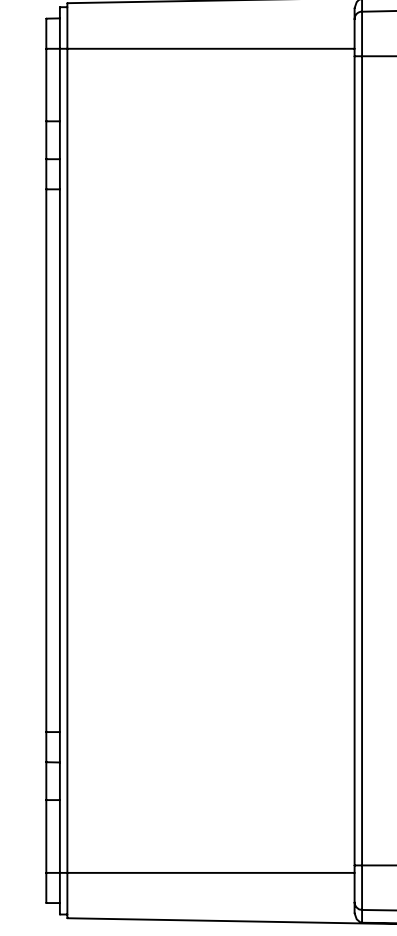
SURFACE-1



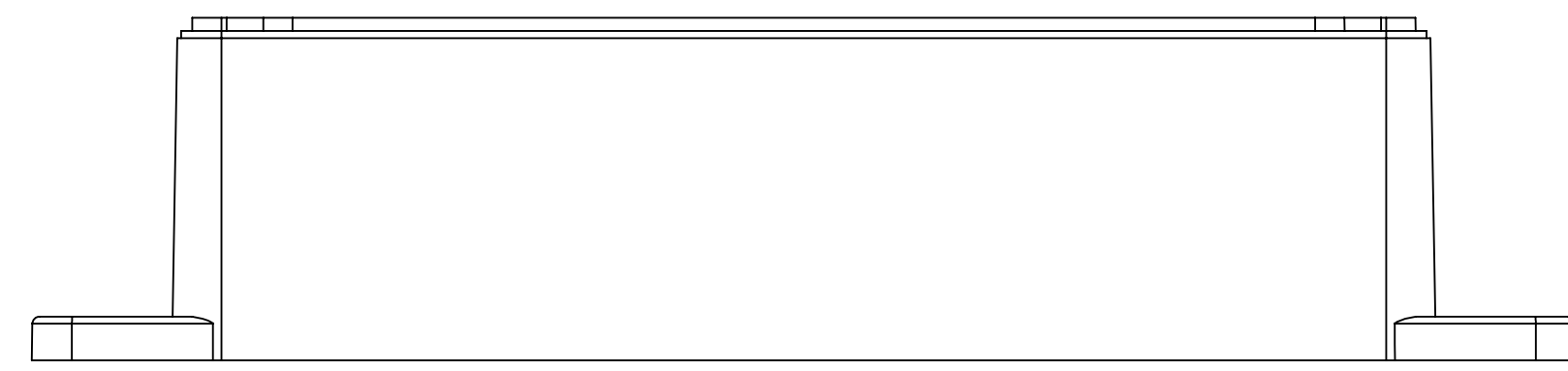
SURFACE-3



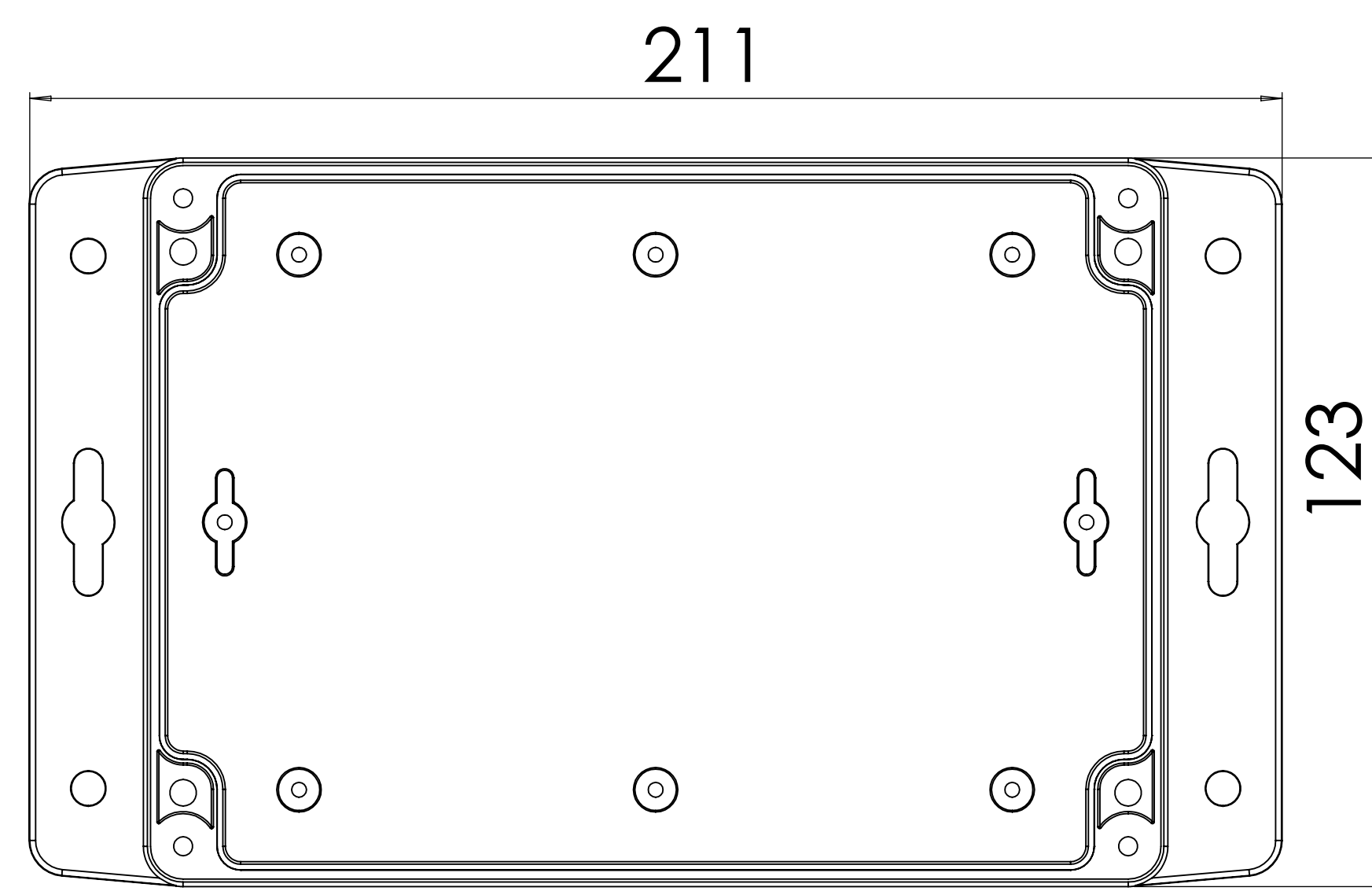
SURFACE-4



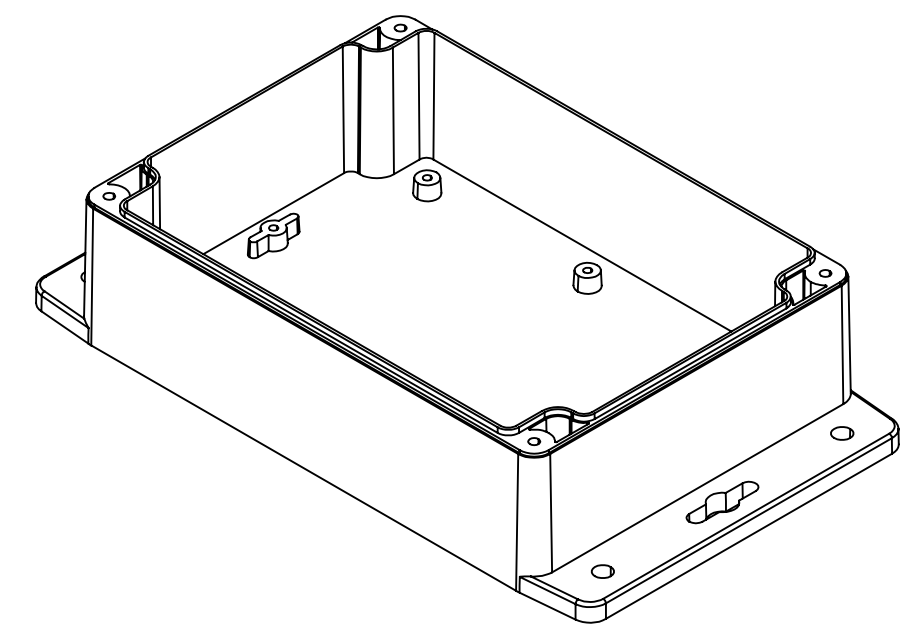
SURFACE-5



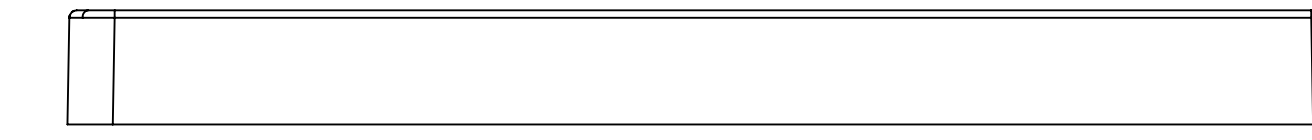
SURFACE-2



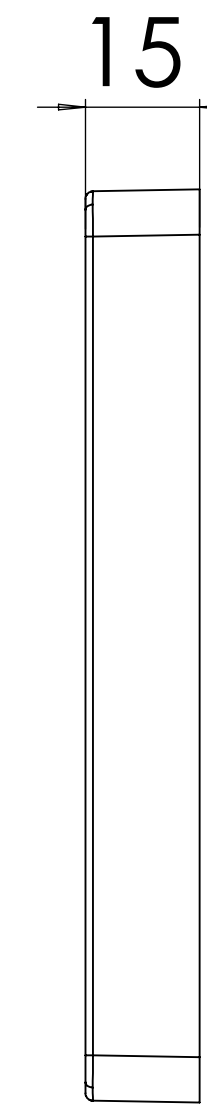
SURFACE-6 (INSIDE)



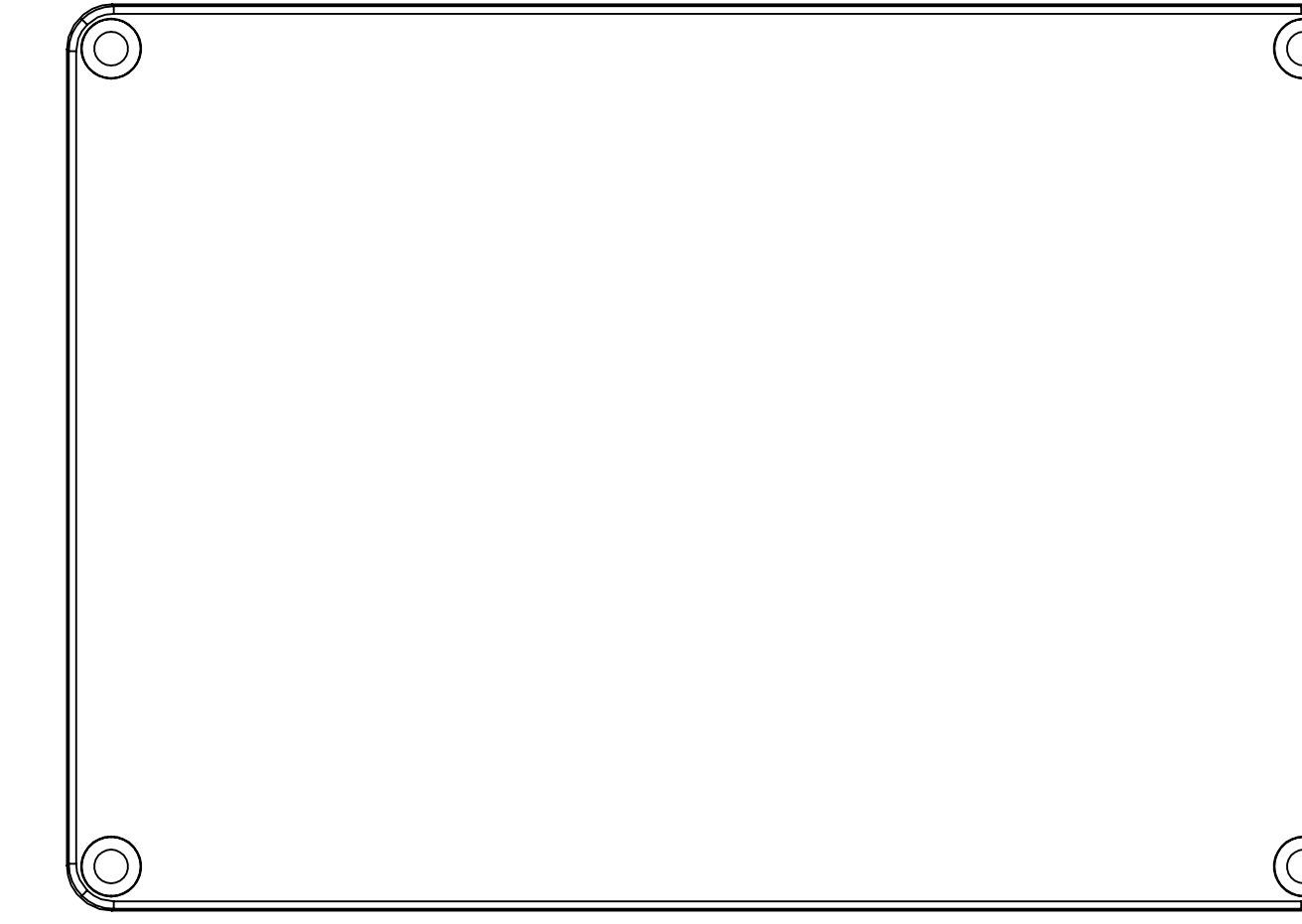
**COVER: 6 SURFACE**



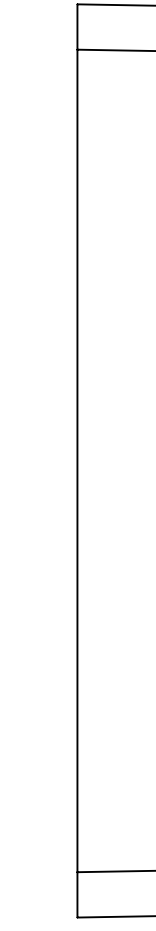
SURFACE-7



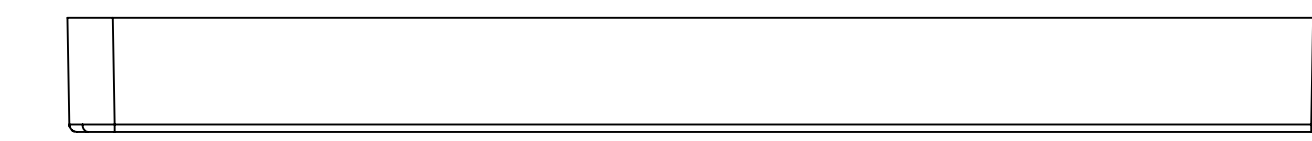
SURFACE-9



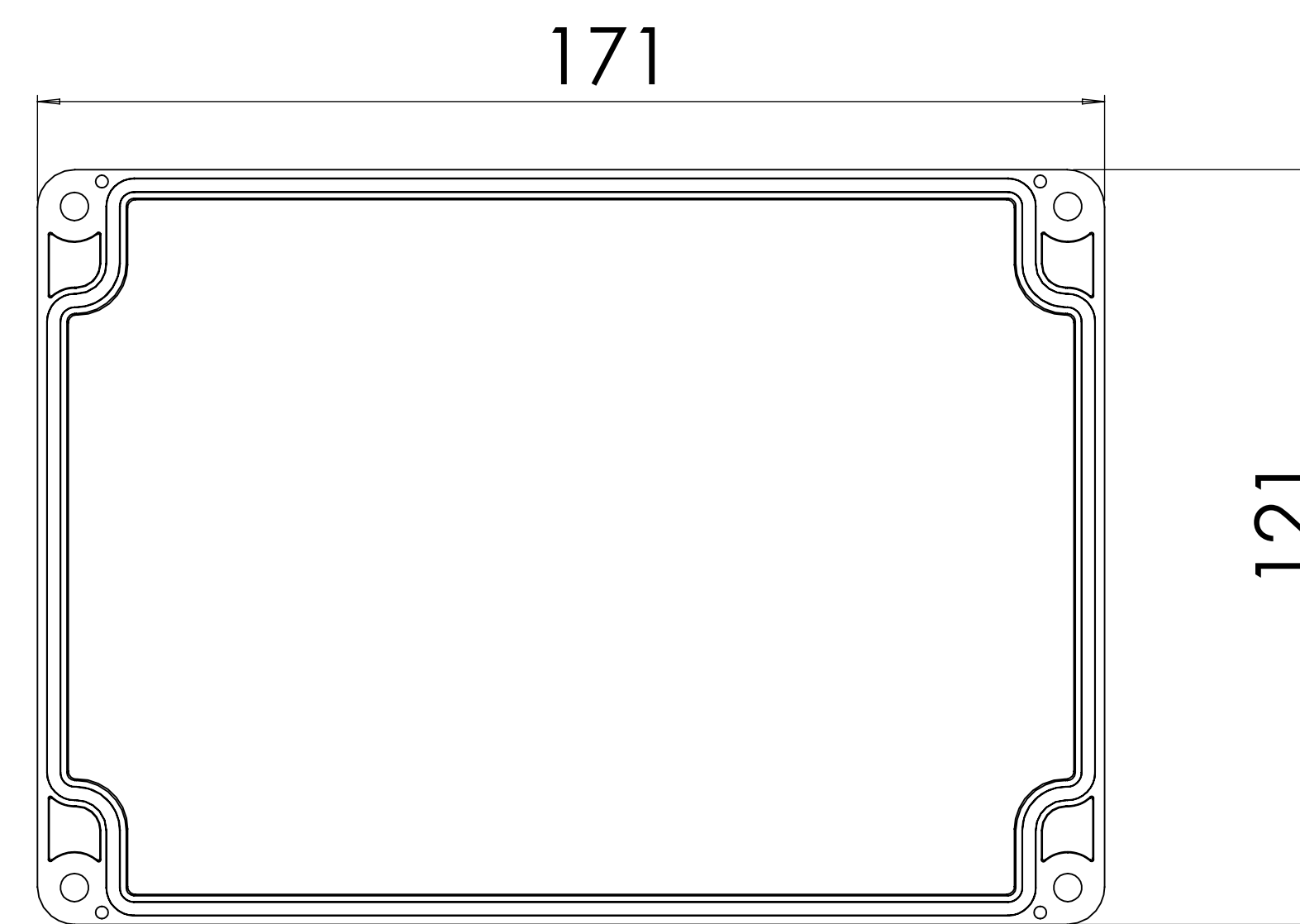
SURFACE-11



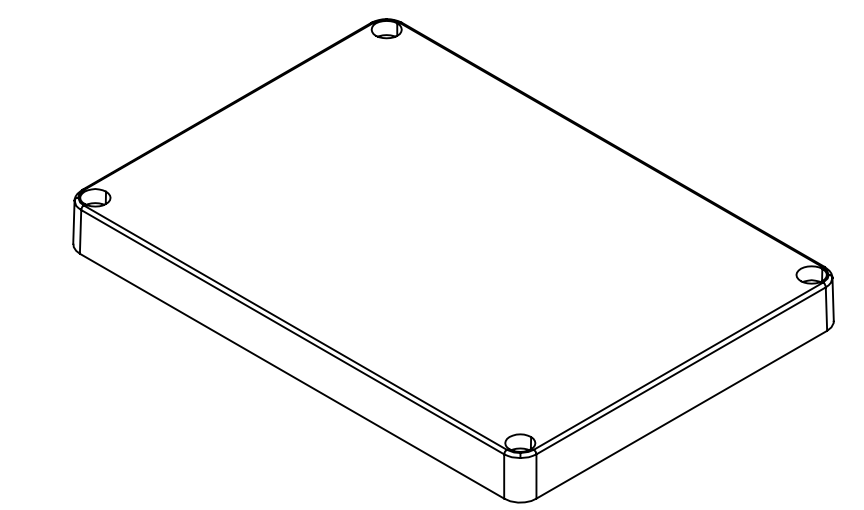
SURFACE-10



SURFACE-8

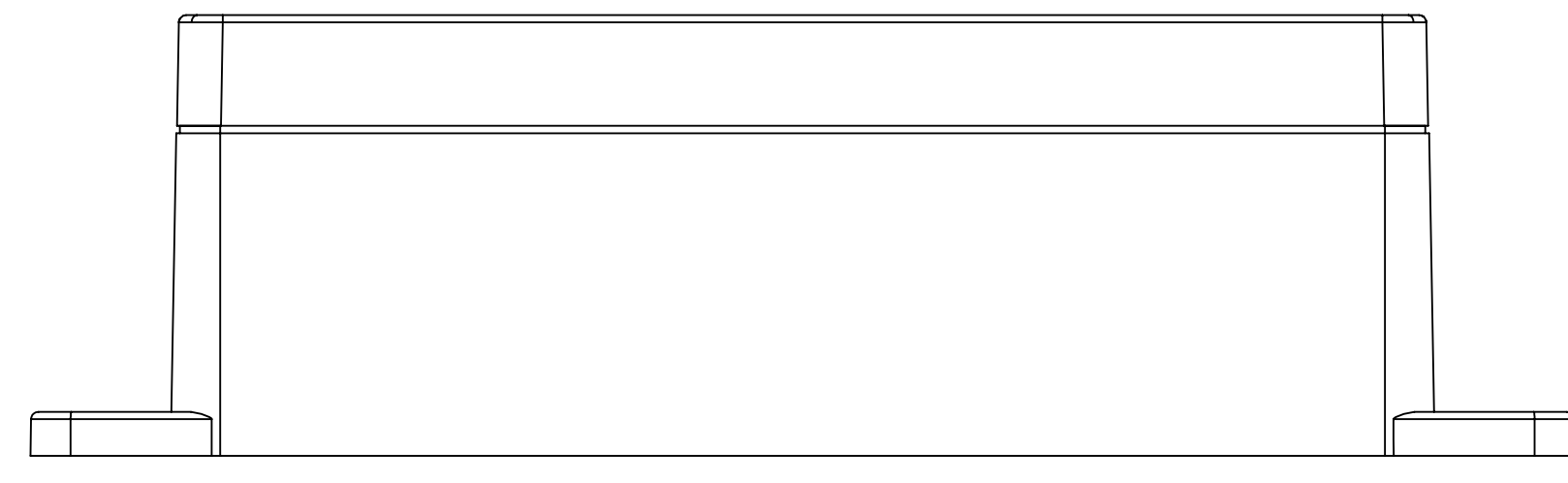


SURFACE-12 (INSIDE)

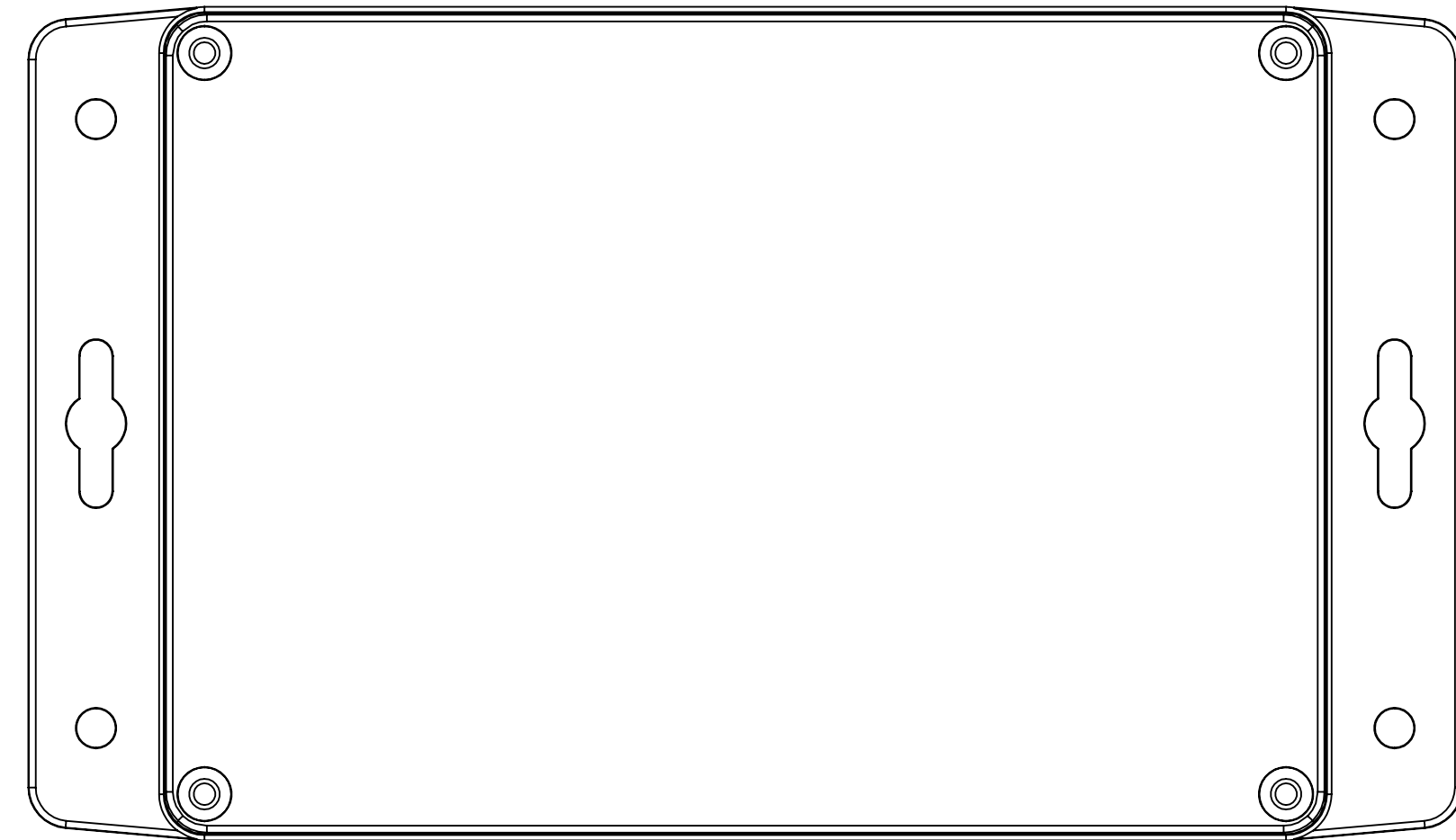


REV. NO	DATE	REVISED BY	DESCRIPTION OF CHANGE
 <b>ALTINKAYA</b> Electronic Enclosures & Components			
Customer Name:		Customer Ref.:	
Altinkaya Ref.:		Part Name: SF-236	
DRAWN	NAME	DATE	Drawn From:
CHECKED	Y.YEL	6.07.2024	Weight:
DIMENSIONAL TOLERANCES UNLESS OTHERWISE SPECIFIED (DIN7168)			
	0.5-3mm	3-6mm	6-30mm
	±0.1	±0.1	±0.2
			±0.3
			±0.5
			m (Medium)
SCALE 1:1			SHEET 1 OF 2
UNIT: mm			A0

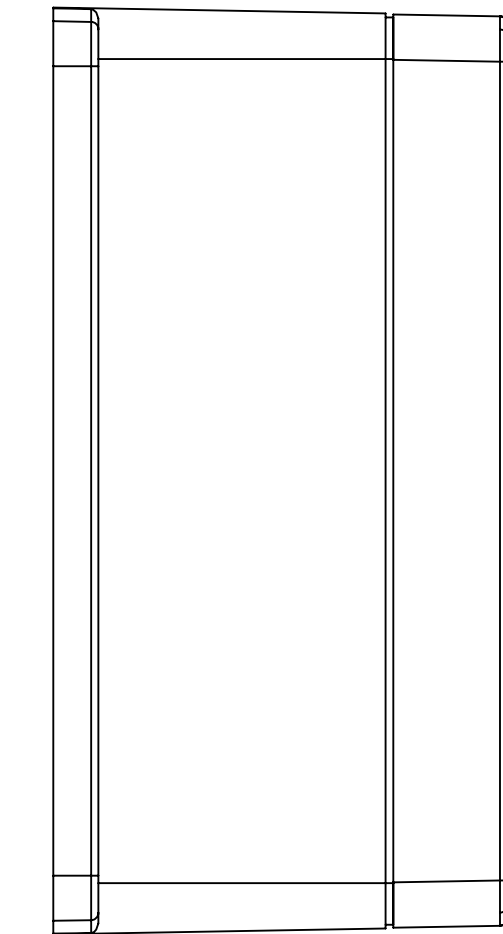
**SF-236 IF MACHINED TOGETHER**



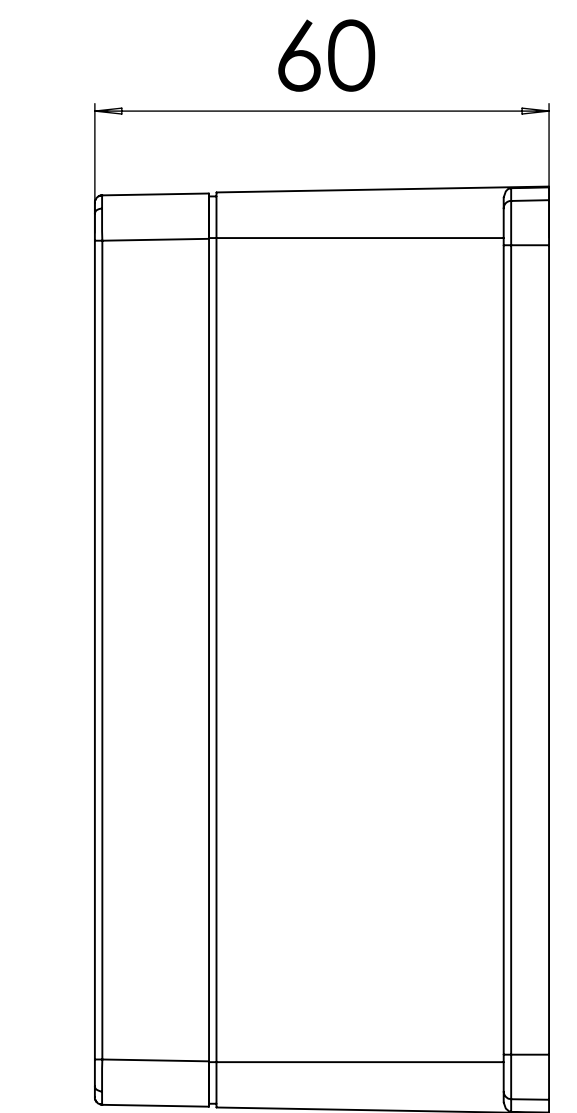
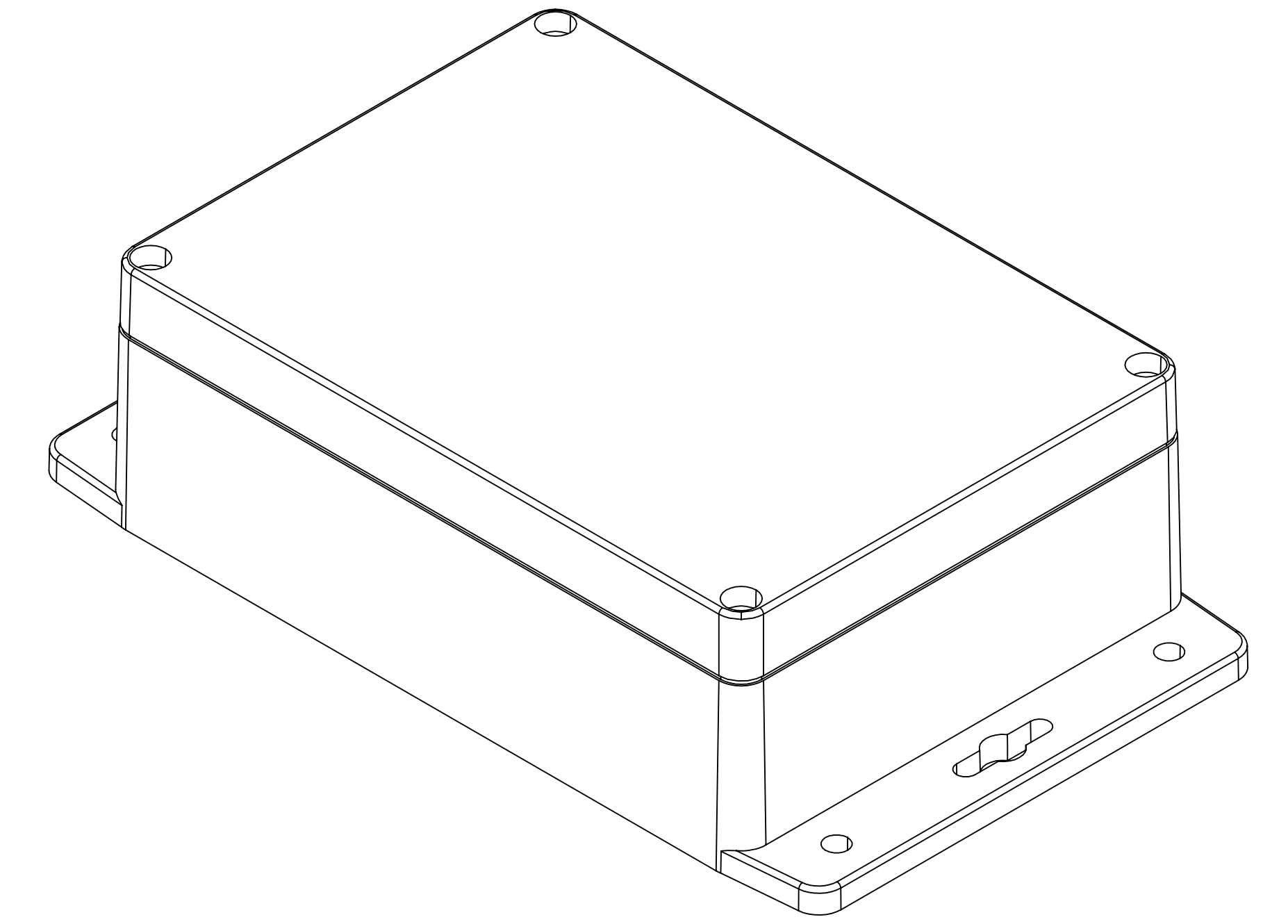
SURFACE-13



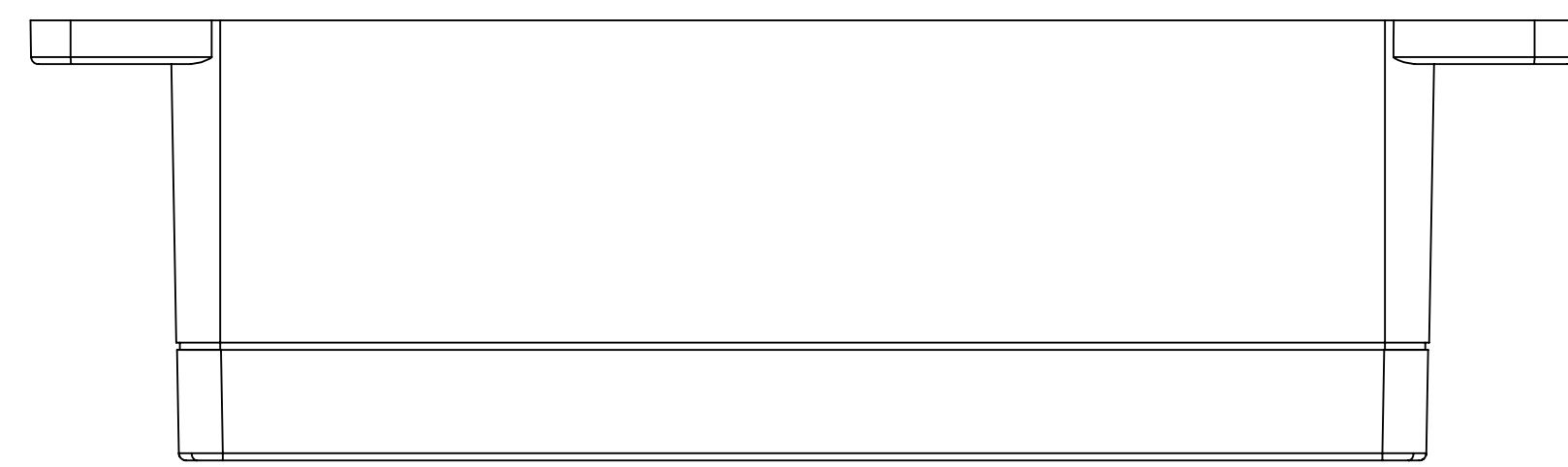
SURFACE-17



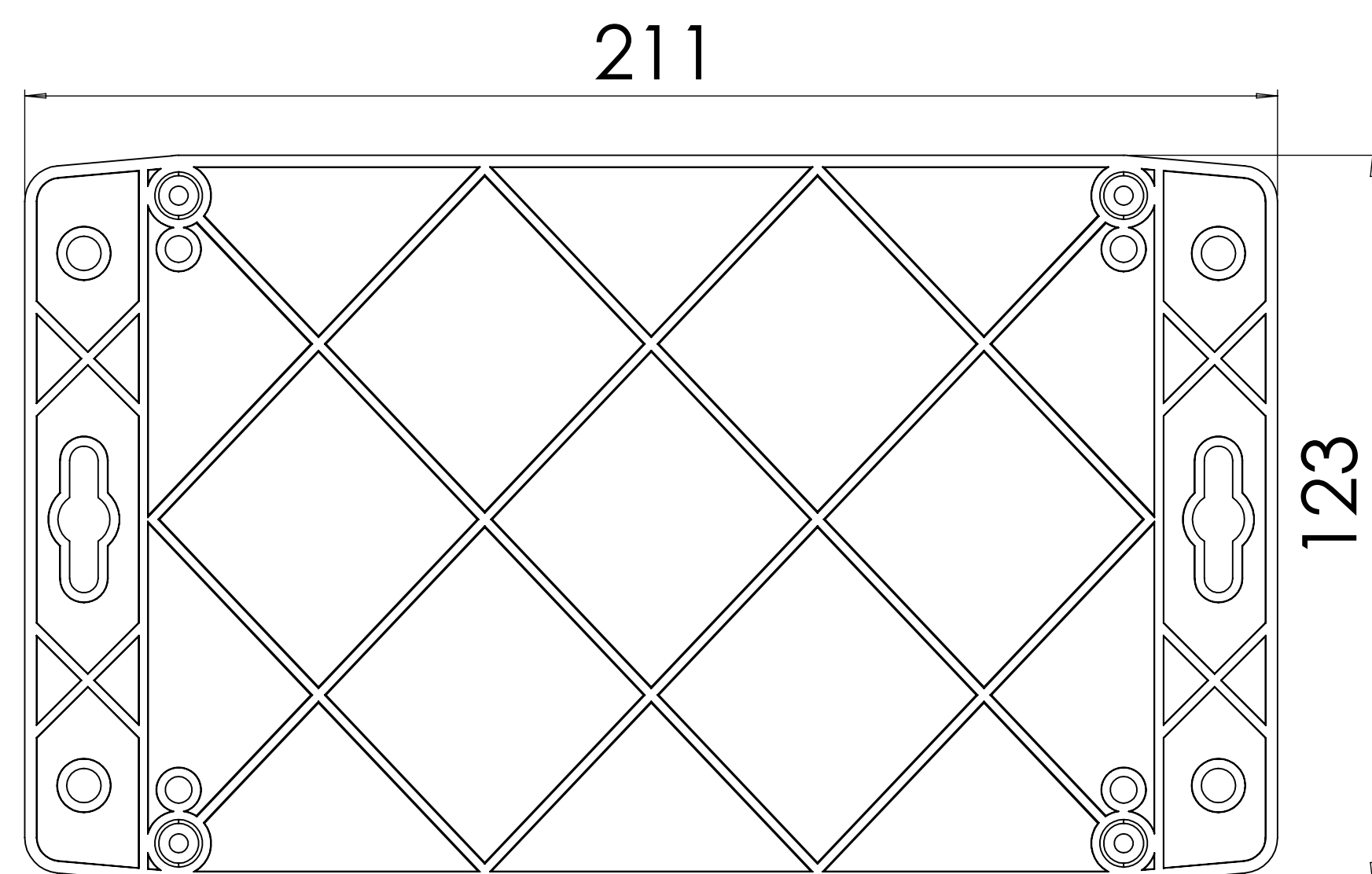
SURFACE-16



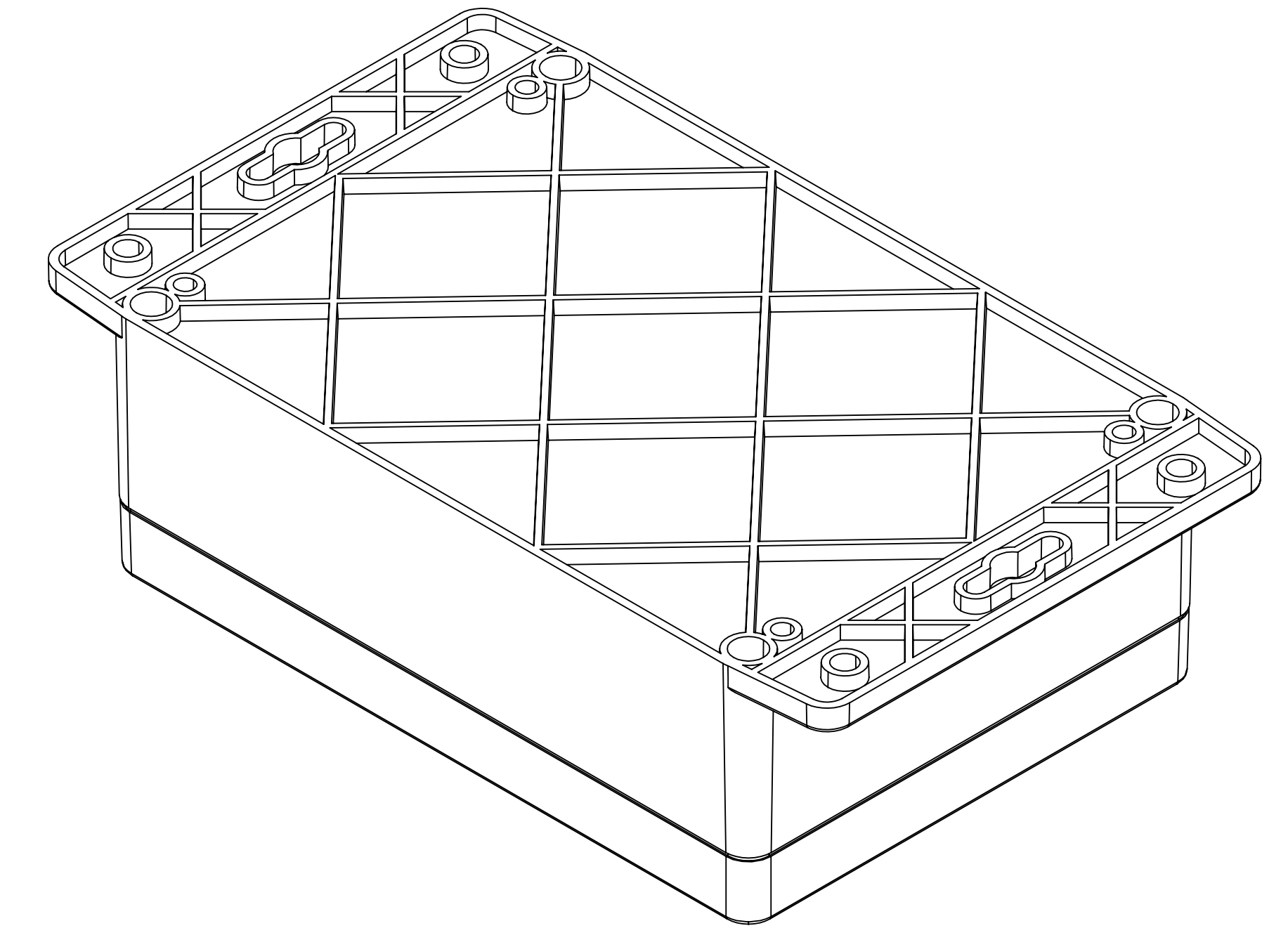
SURFACE-15




SURFACE-14



SURFACE-18



REV. NO	DATE	REVISED BY	DESCRIPTION OF CHANGE		
 <b>ALTINKAYA</b> Electronic Enclosures & Components			<a href="http://www.altinkaya.com">www.altinkaya.com</a>		
Customer Name:		Customer Ref. :			
Altinkaya Ref. :		Part Name: SF-236			
DRAWN	NAME	DATE	Drawn From :	SCALE 1:1	
CHECKED	Y.YEL	6.07.2024	Weight :	SHEET 2 OF 2	
DIMENSIONAL TOLERANCES UNLESS OTHERWISE SPECIFIED (DIN7168)		0.5-3mm	3-6mm	6-30mm	30-120mm
		±0.1	±0.1	±0.2	±0.3
				±0.5	±0.5
					m (Medium)
					UNIT: mm
					A0