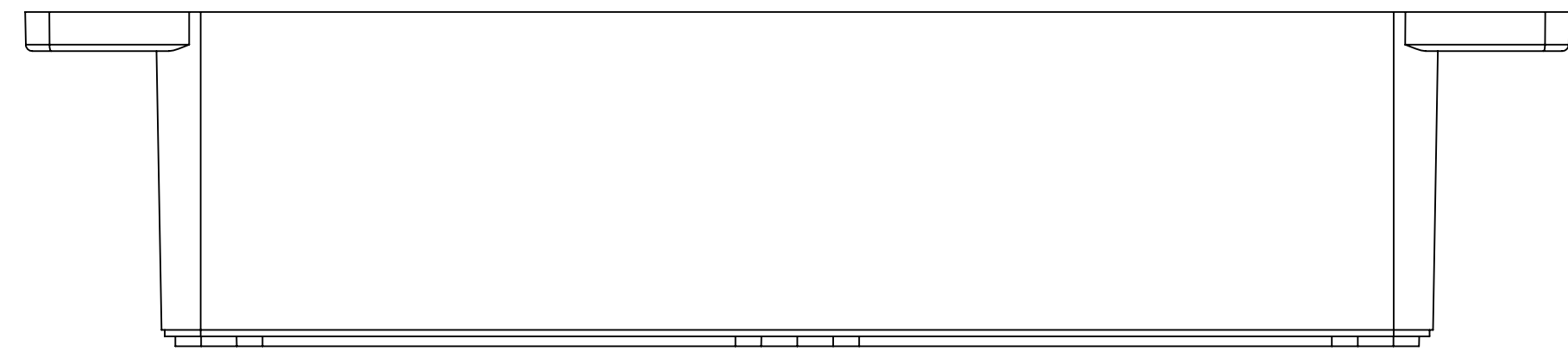
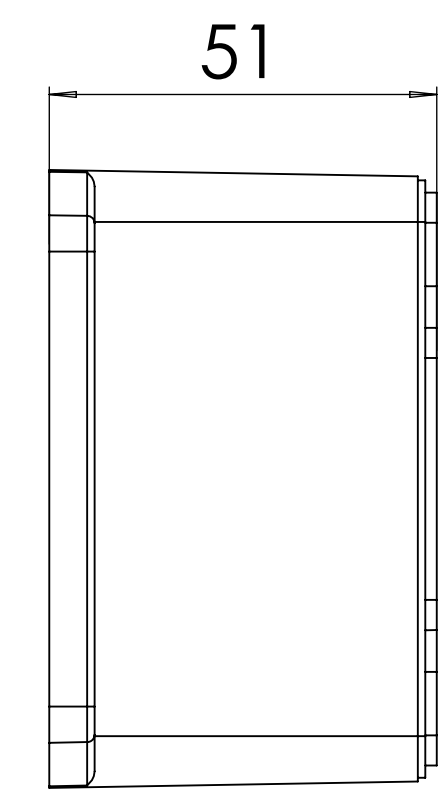


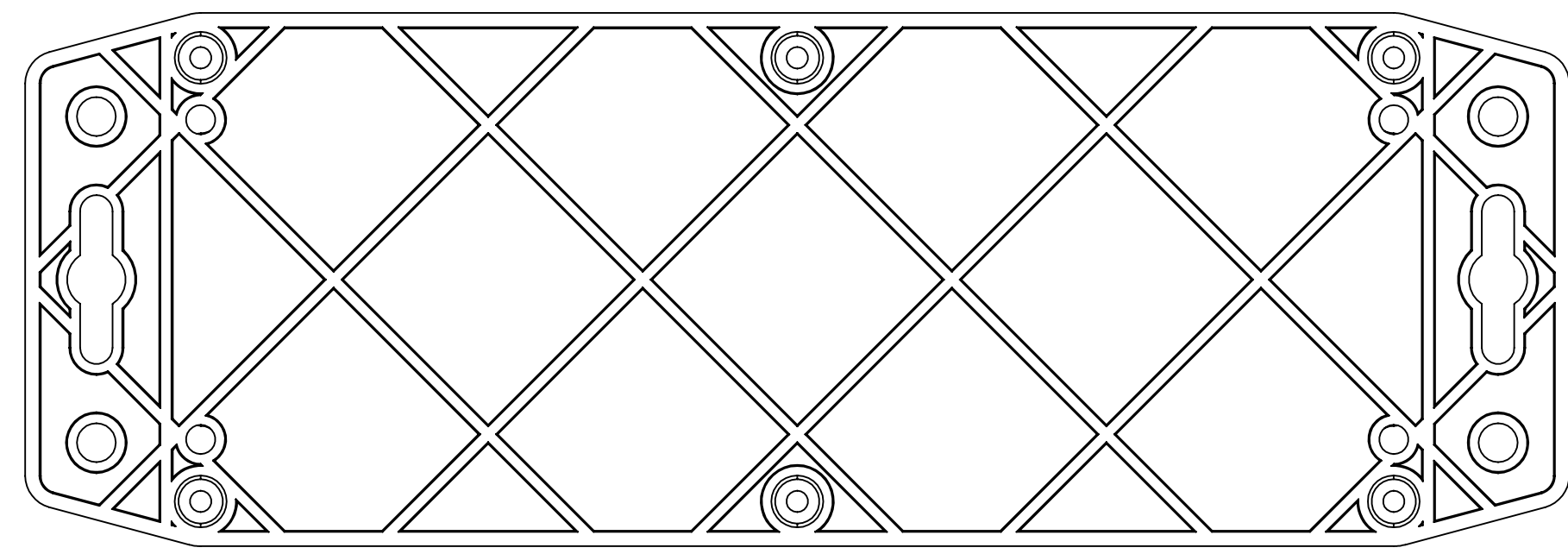
BASE: 6 SURFACE



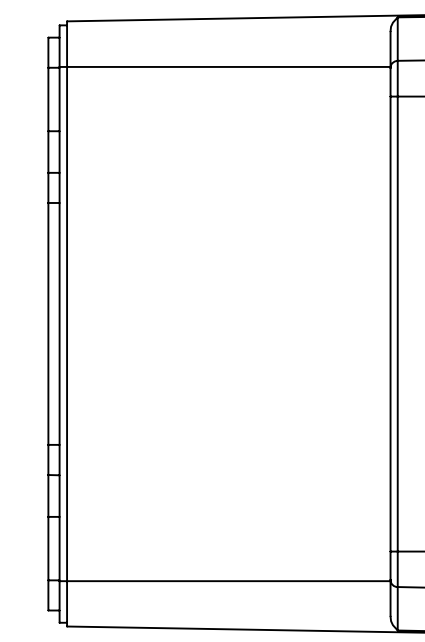
SURFACE-1



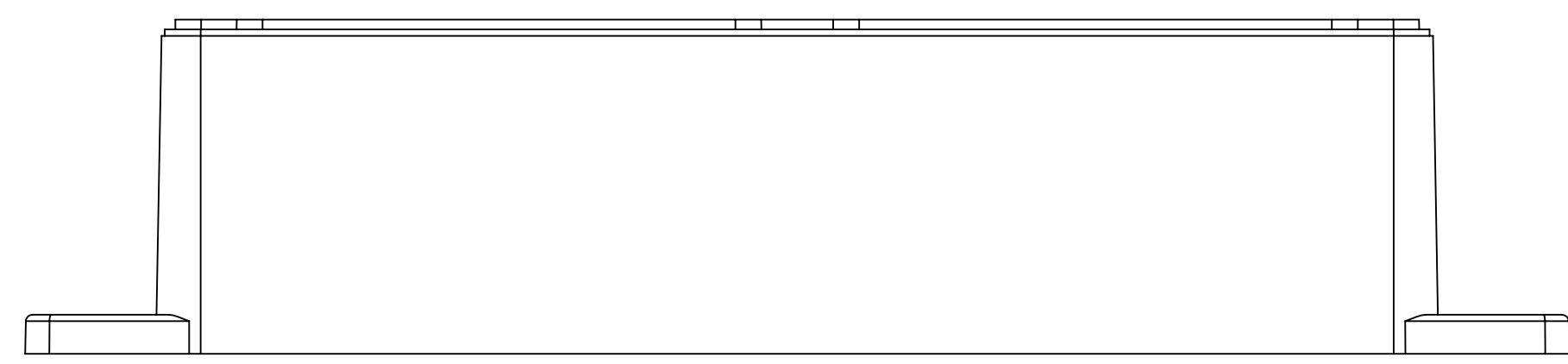
SURFACE-3



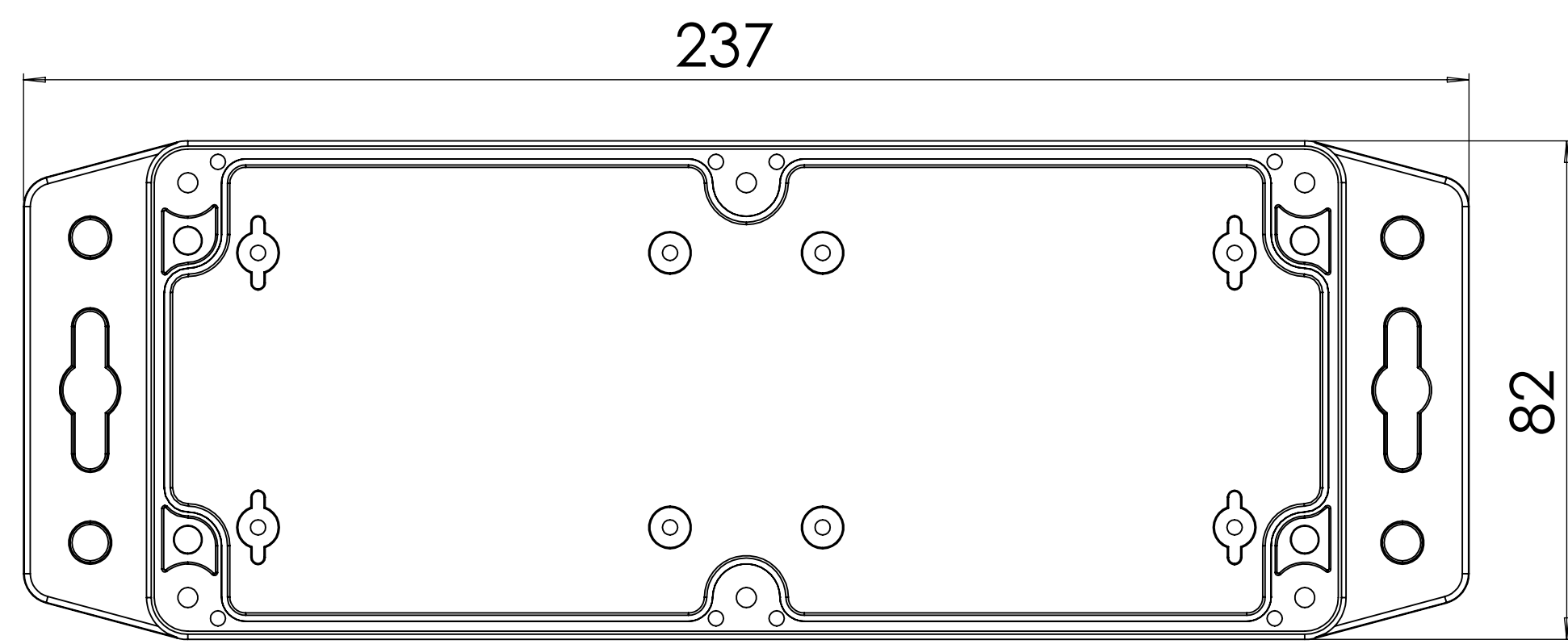
SURFACE-5



SURFACE-4

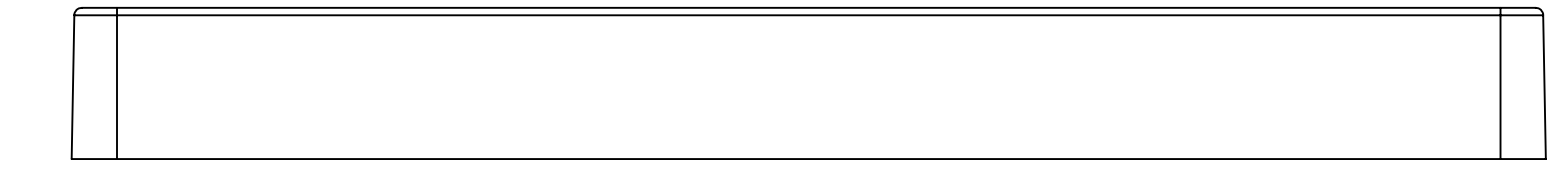


SURFACE-2

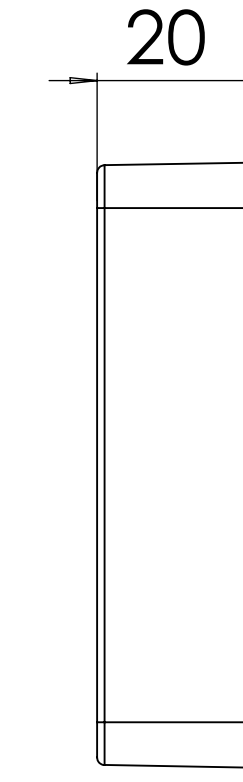


SURFACE-6
(INDISE)

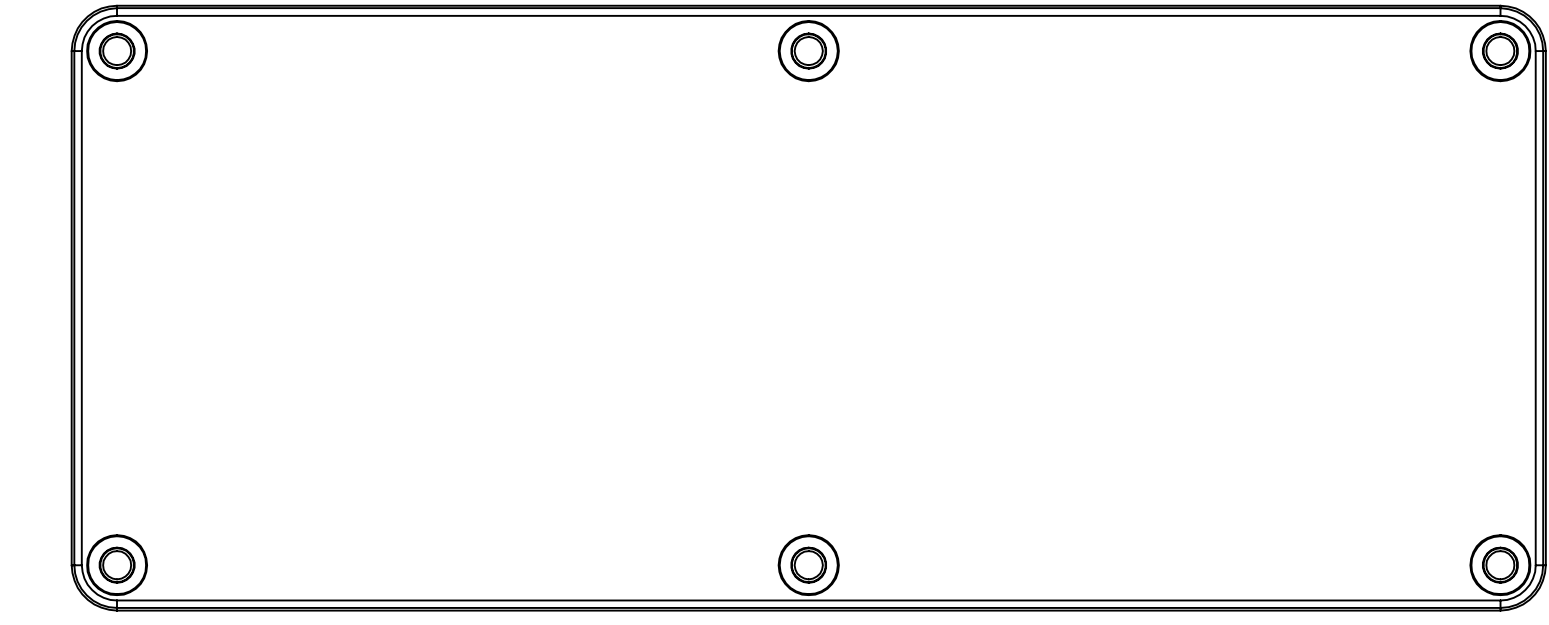
COVER: 6 SURFACE



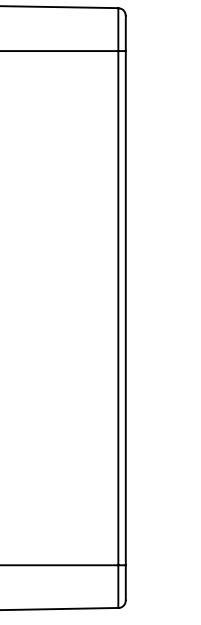
SURFACE-7



SURFACE-9



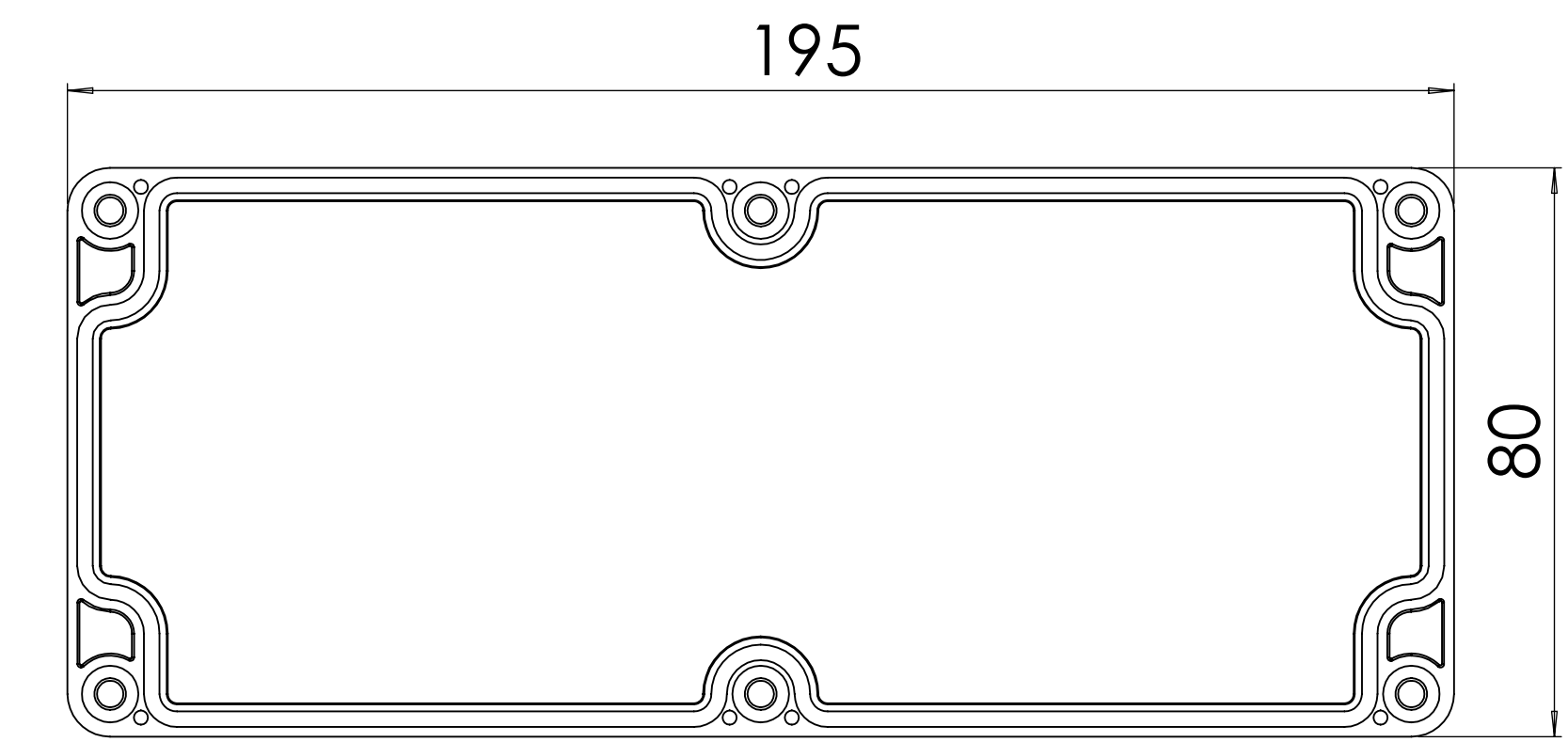
SURFACE-11



SURFACE-10



SURFACE-8

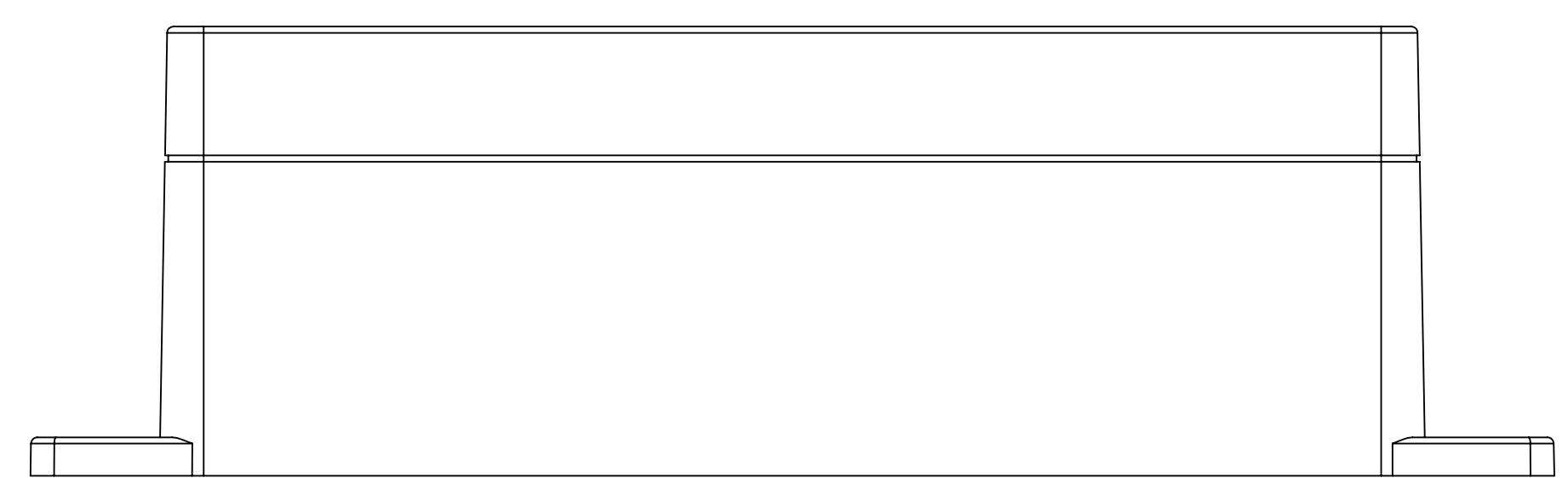


SURFACE-12
(INSIDE)

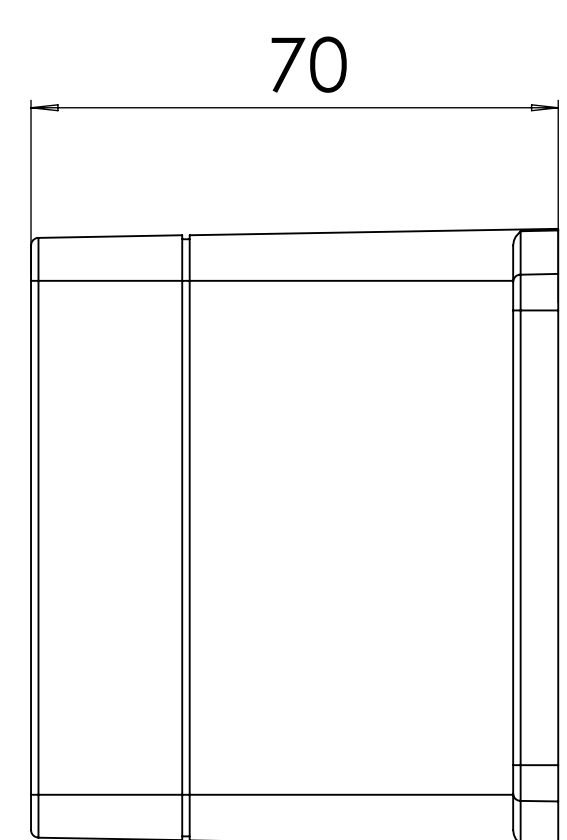
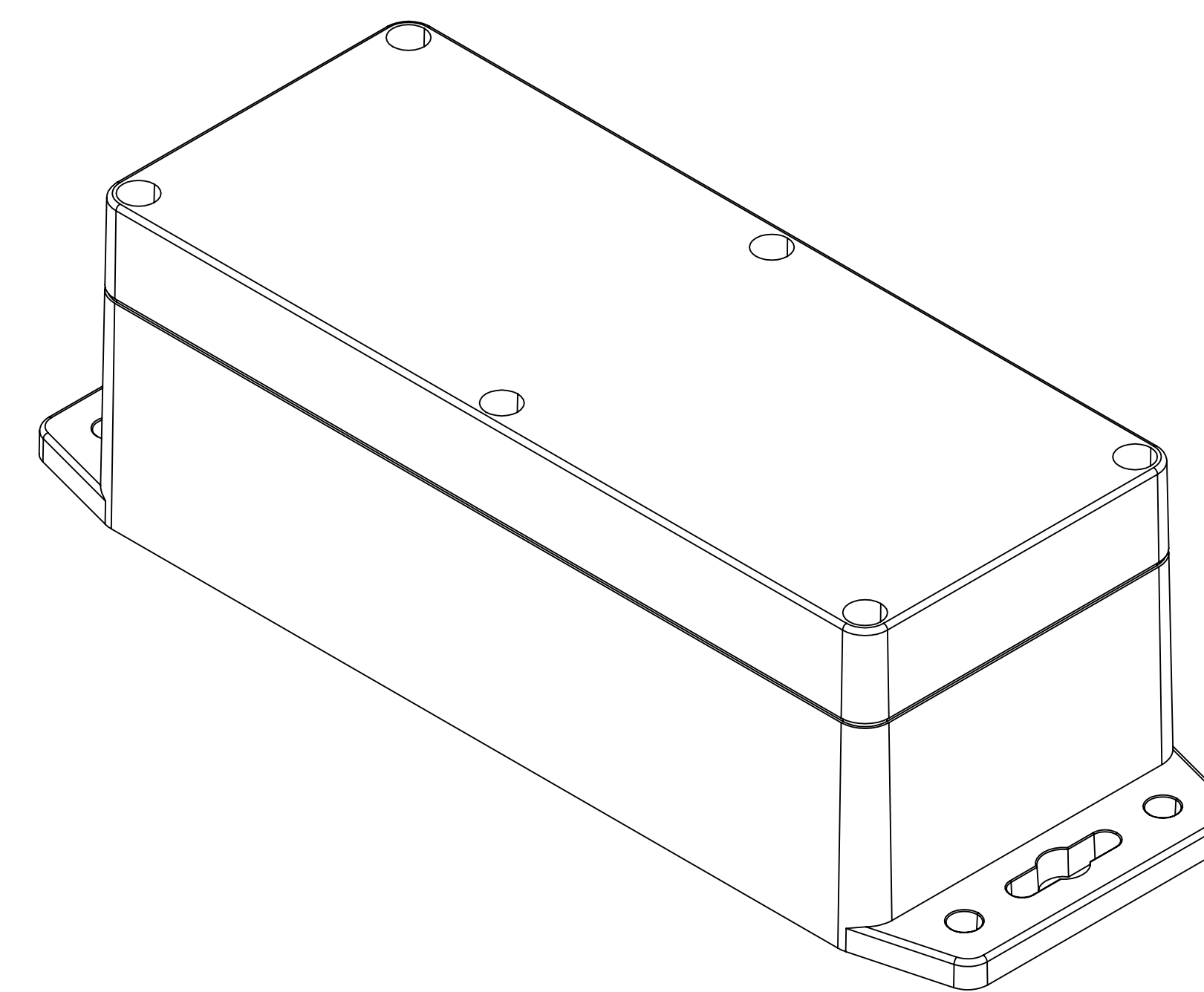
REV. NO	DATE	REVISED BY	DESCRIPTION OF CHANGE
 ALTINKAYA Electronic Enclosures & Components			
Customer Name:		Customer Ref.:	
Altinkaya Ref.:		Part Name: SF-235-0-0	
DRAWN	NAME	DATE	Drawn From:
CHECKED	Y.YEL	6.07.2024	Weight:
DIMENSIONAL TOLERANCES UNLESS OTHERWISE SPECIFIED (DIN7168)			
0.5-3mm	3-6mm	6-30mm	30-120mm
±0.1	±0.1	±0.2	±0.3
			120-400mm
			±0.5
			m (Medium)
			SCALE 1:1
			SHEET 1 OF 2
			UNIT: mm
			A0

www.altinkaya.com

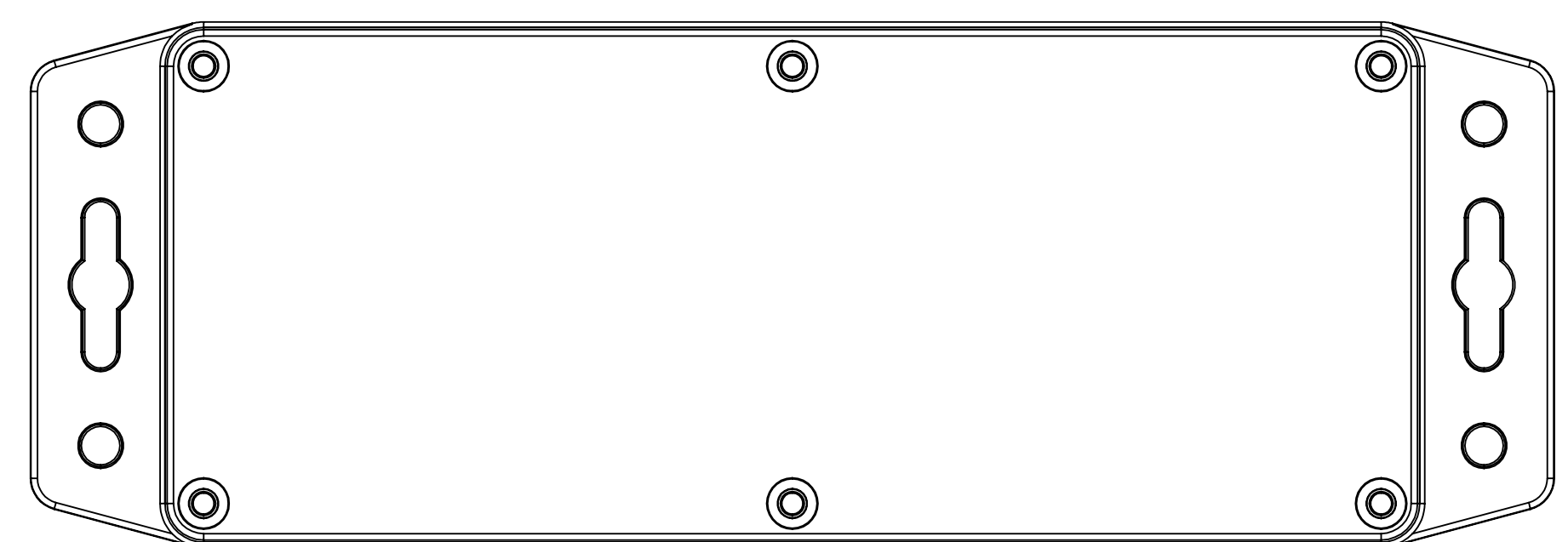
SF-235 IF MACHINED TOGETHER



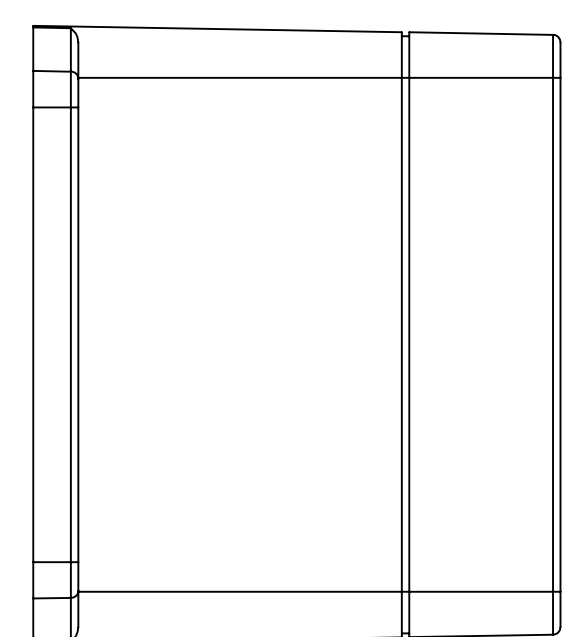
SURFACE-13



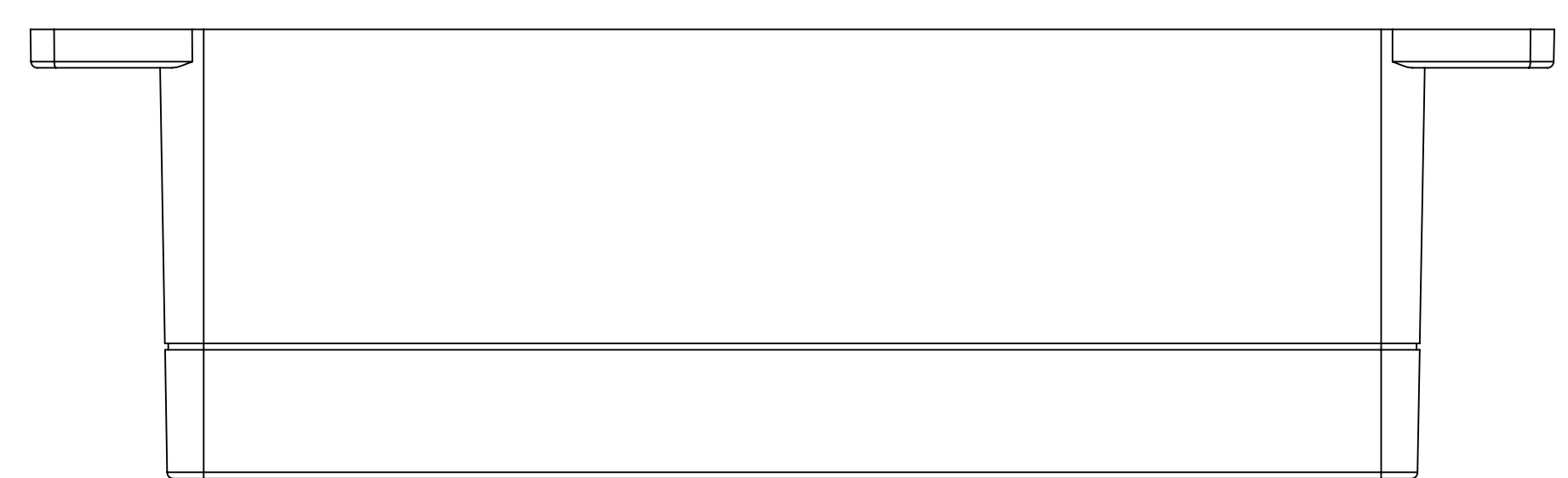
SURFACE-15



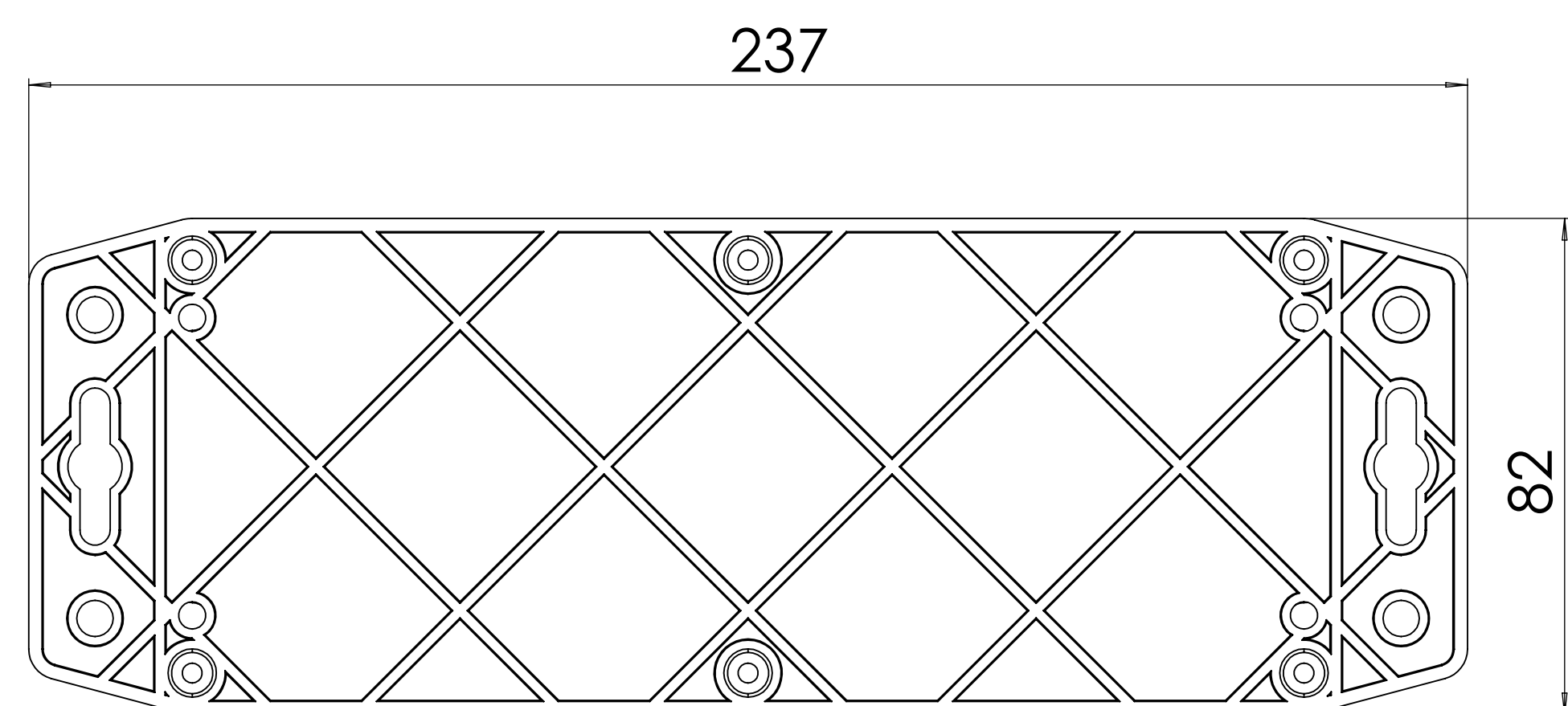
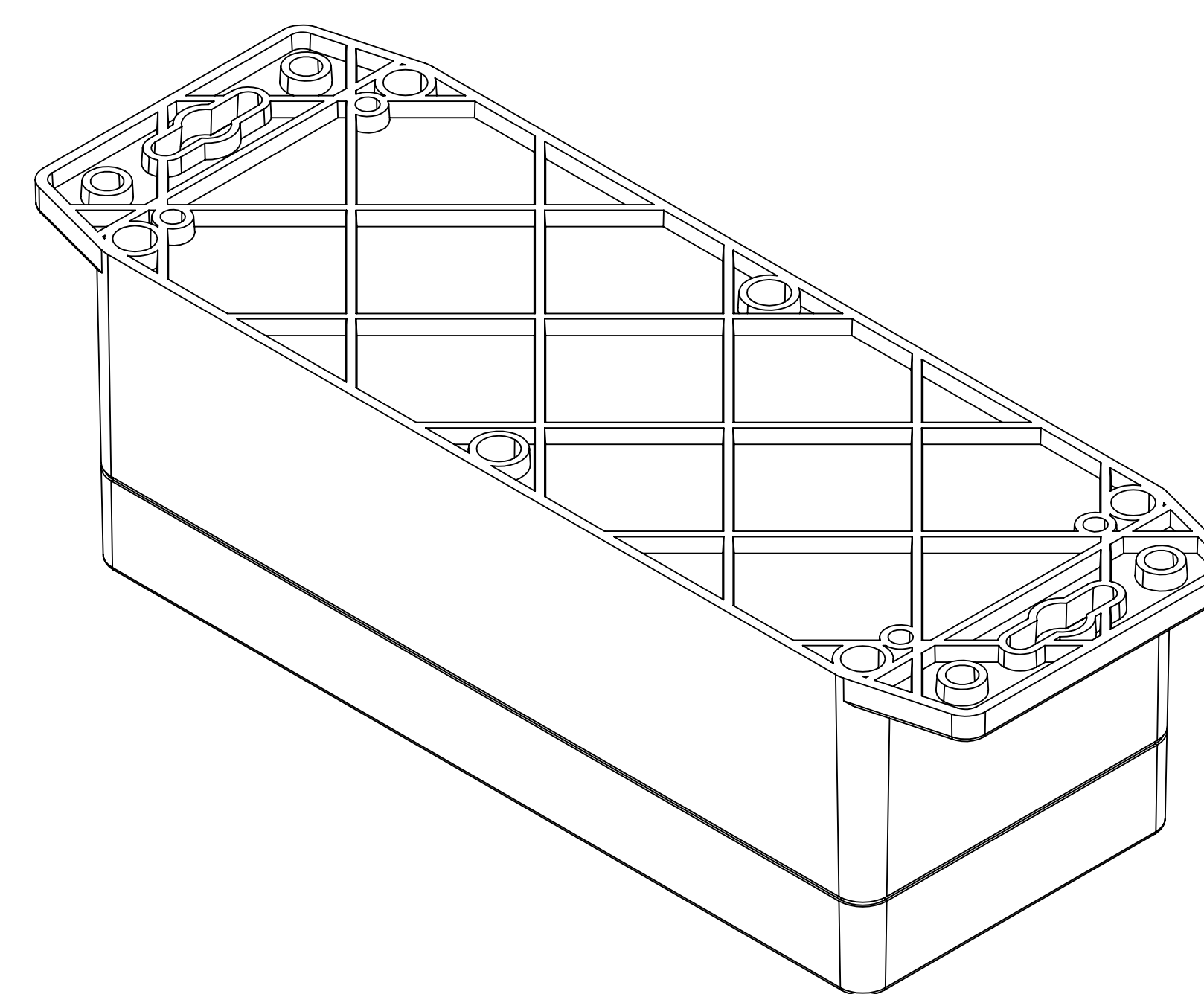
SURFACE-17



SURFACE-16



SURFACE-14



SURFACE-18

REV. NO	DATE	REVISED BY	DESCRIPTION OF CHANGE
 ALTINKAYA Electronic Enclosures & Components			
Customer Name:		Customer Ref.:	
Altinkaya Ref.:		Part Name: SF-235-0-0	
DRAWN	NAME	DATE	Drawn From:
CHECKED	Y.YEL	6.07.2024	Weight:
DIMENSIONAL TOLERANCES UNLESS OTHERWISE SPECIFIED (DIN7168)			
	0.5-3mm	3-6mm	6-30mm
	±0.1	±0.1	±0.2
			±0.3
			±0.5
			m (Medium)
SCALE 1:1			SHEET 2 OF 2
UNIT: mm			A0

www.altinkaya.com