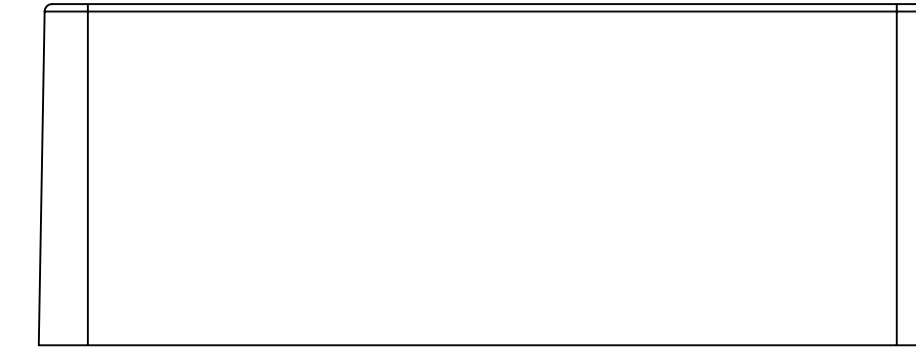


**BASE: 6 SURFACE**

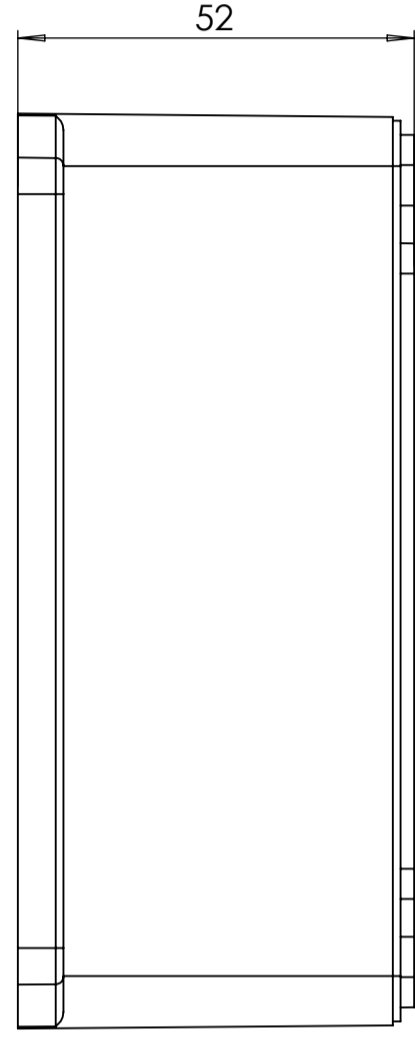
**COVER: 6 SURFACE**



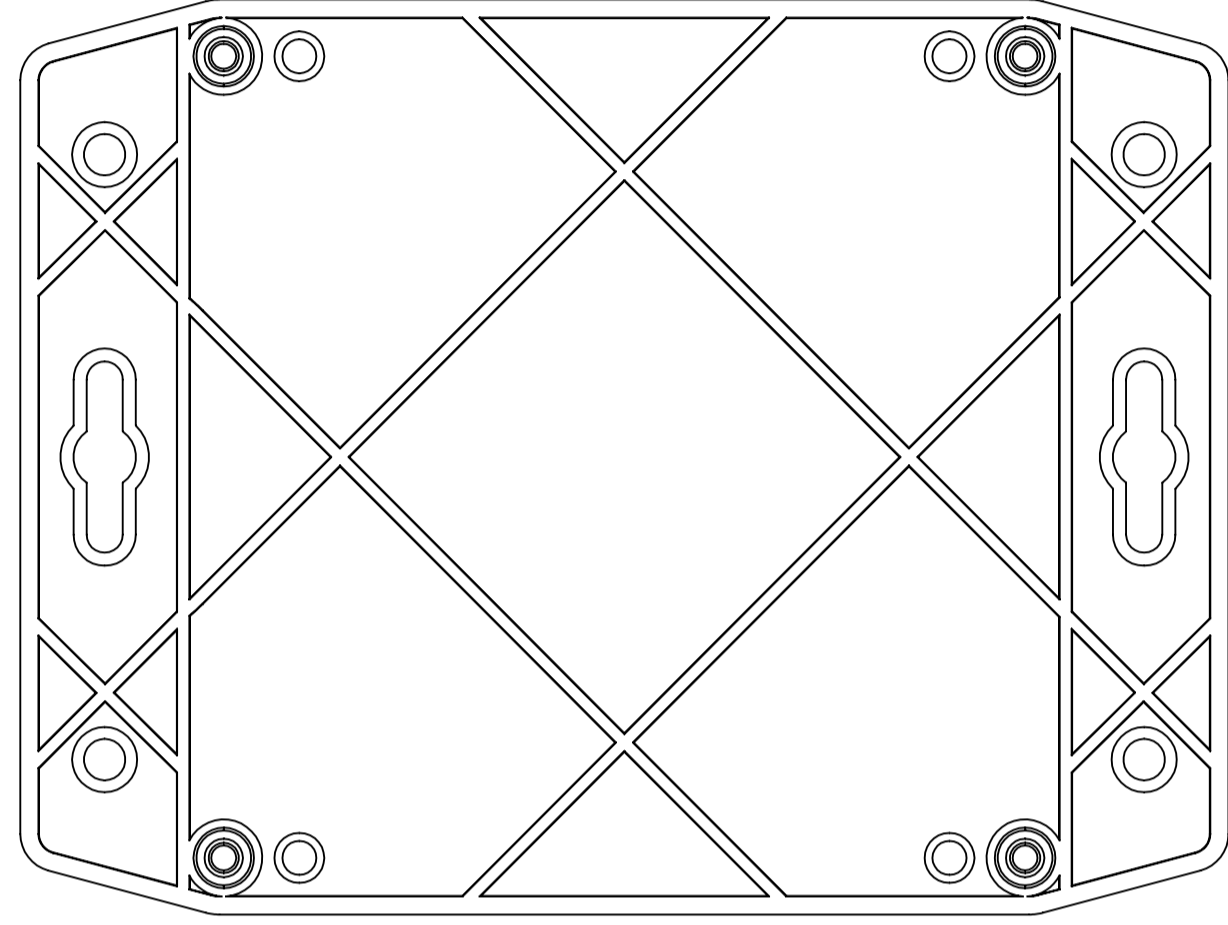
SURFACE-1



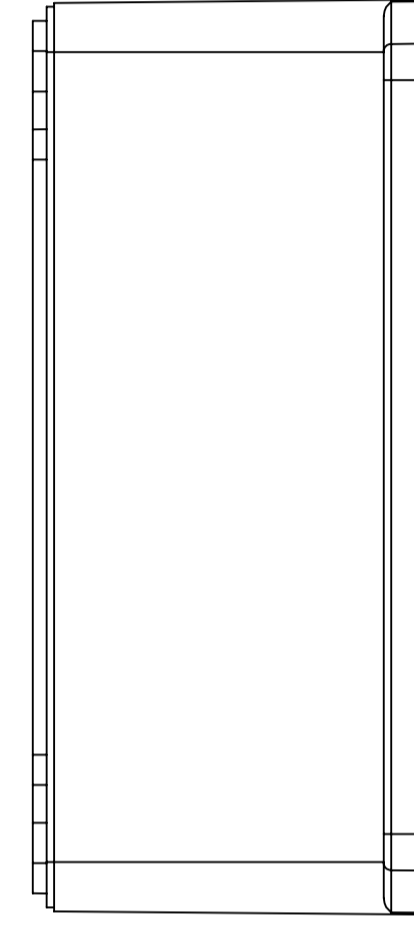
SURFACE-7



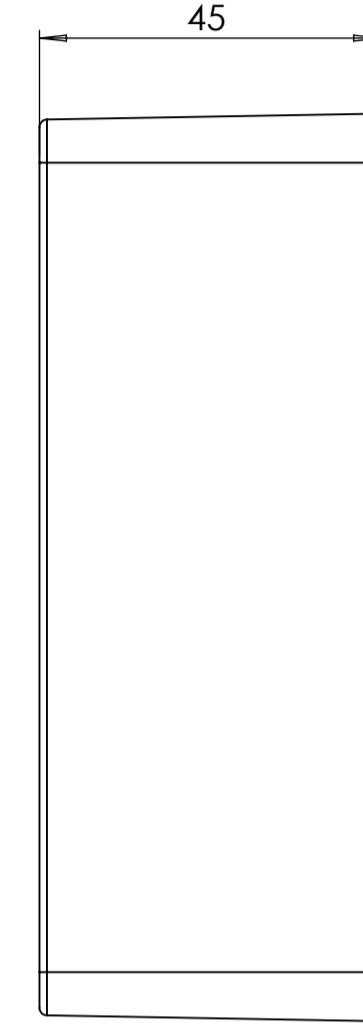
SURFACE-3



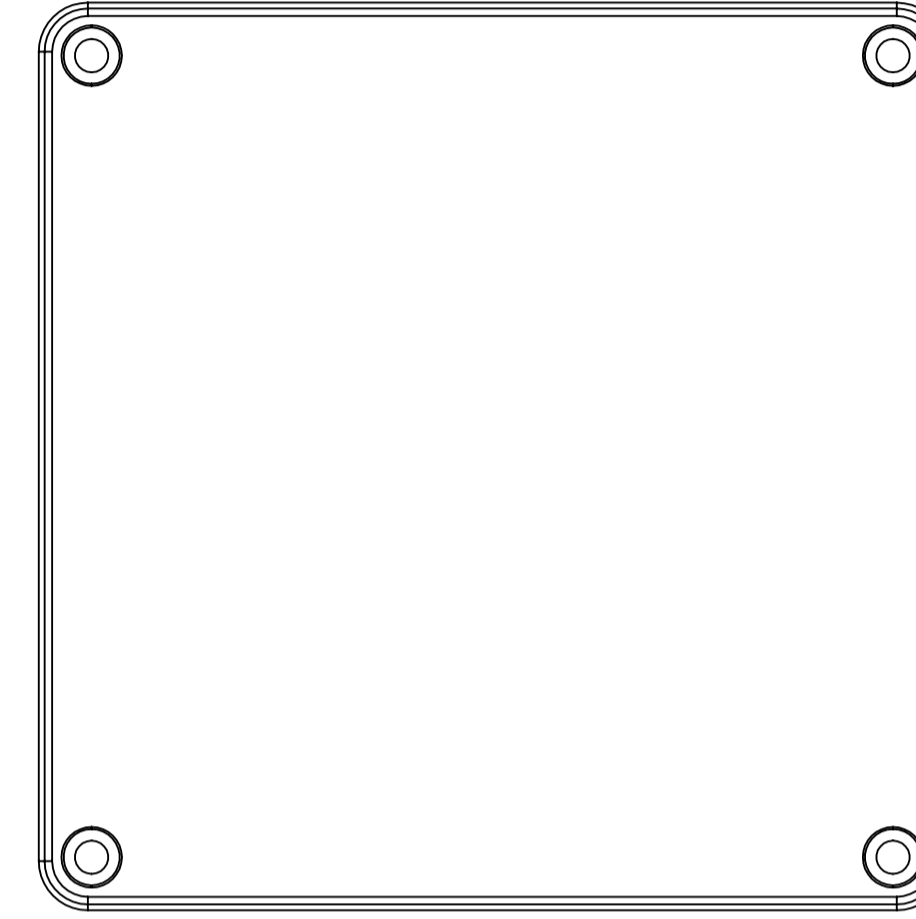
SURFACE-5



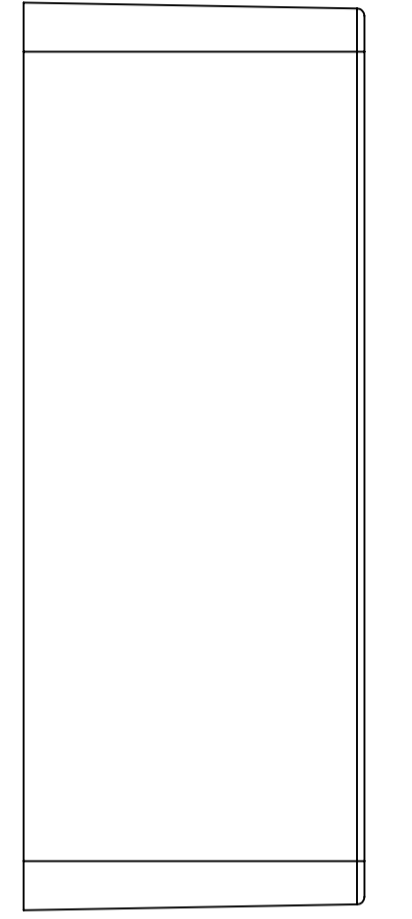
SURFACE-4



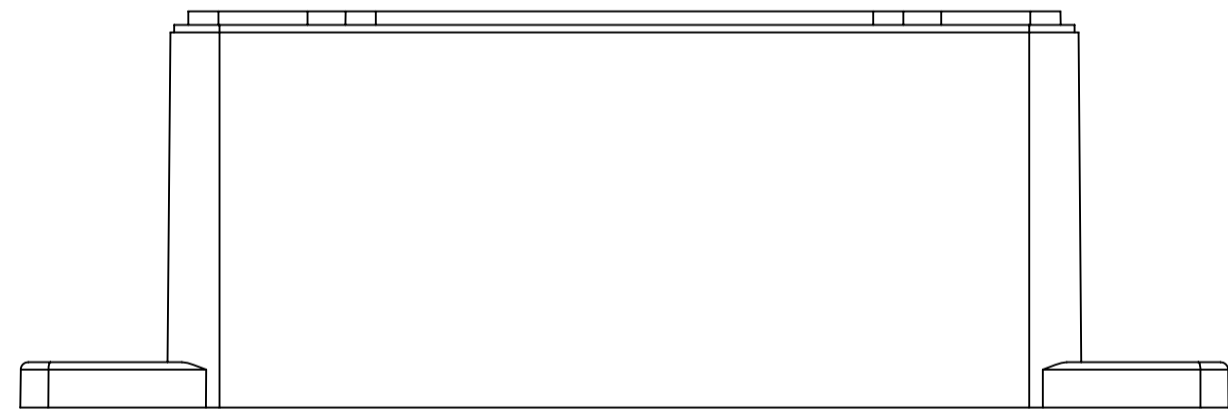
SURFACE-9



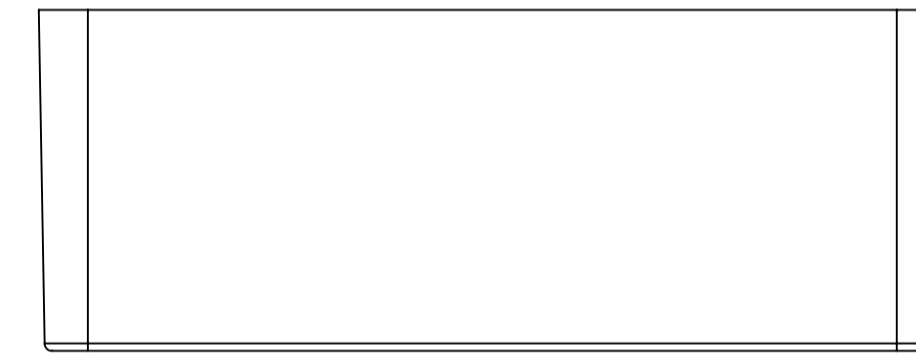
SURFACE-11



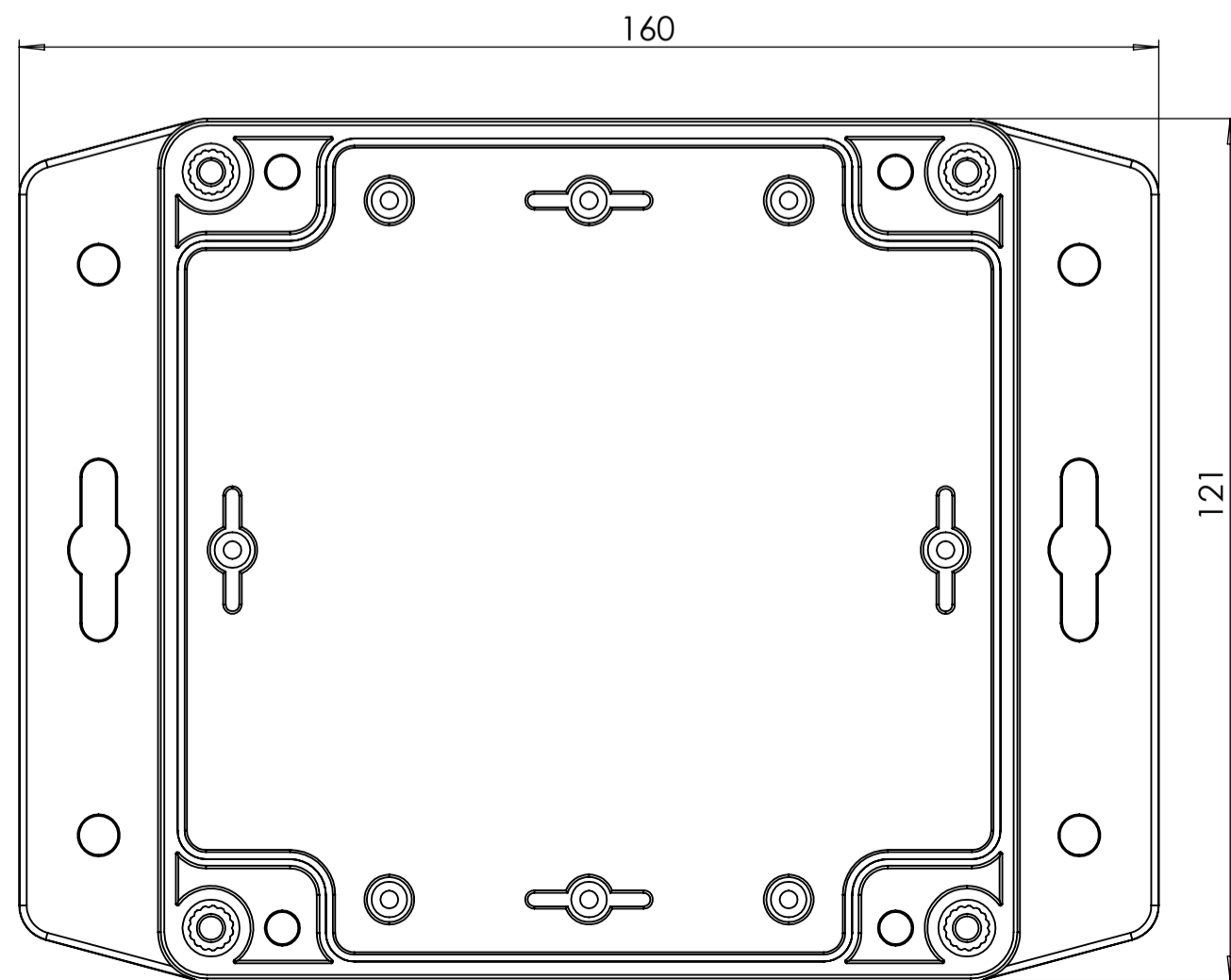
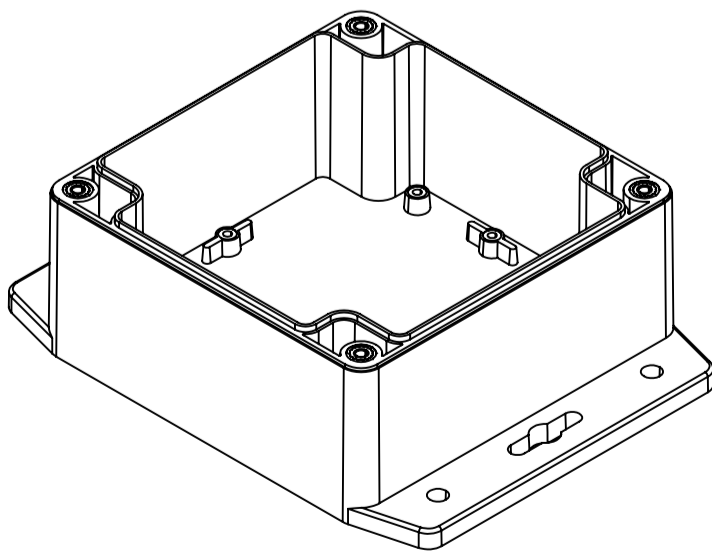
SURFACE-10



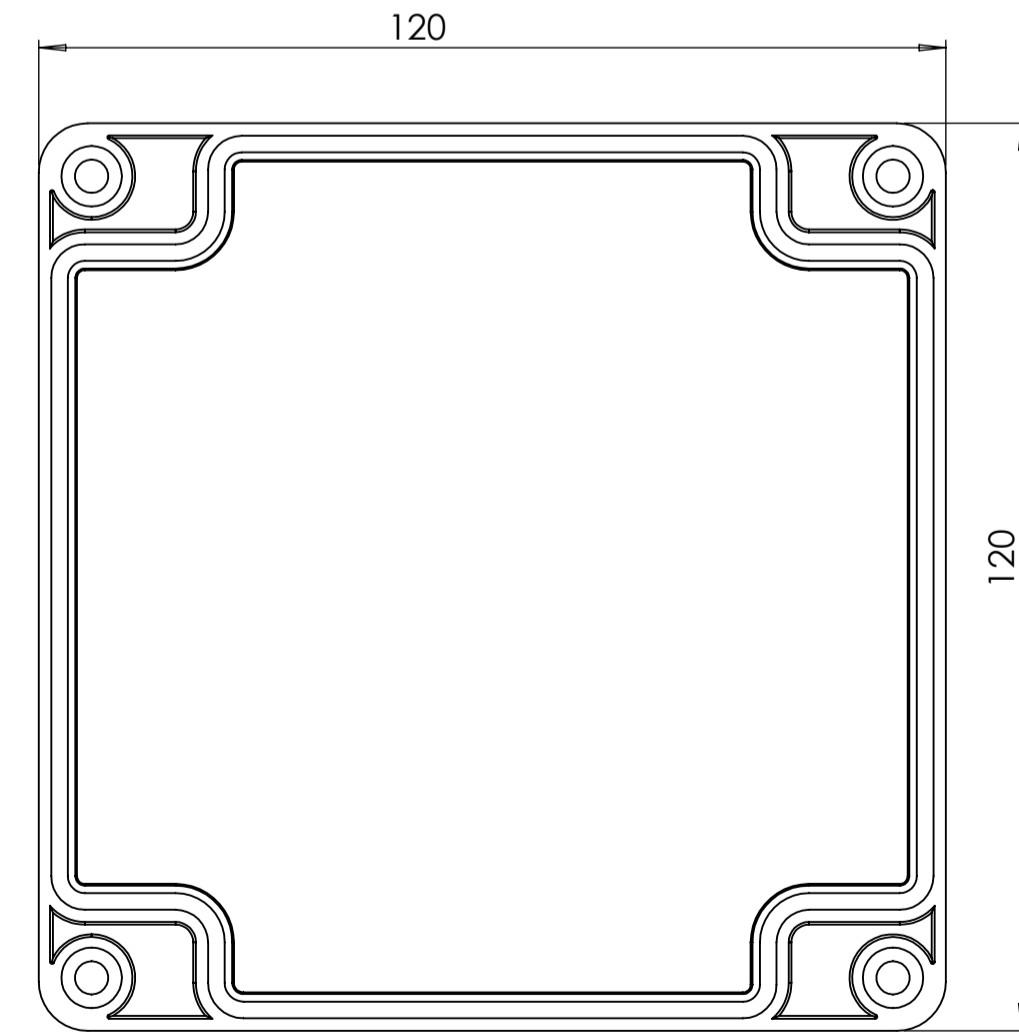
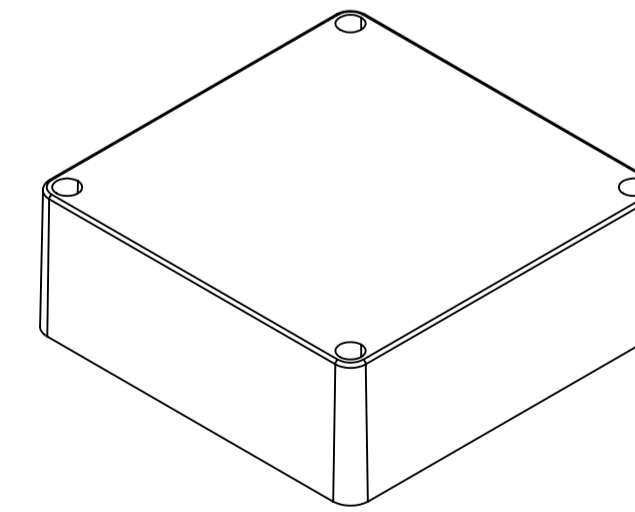
SURFACE-2



SURFACE-8



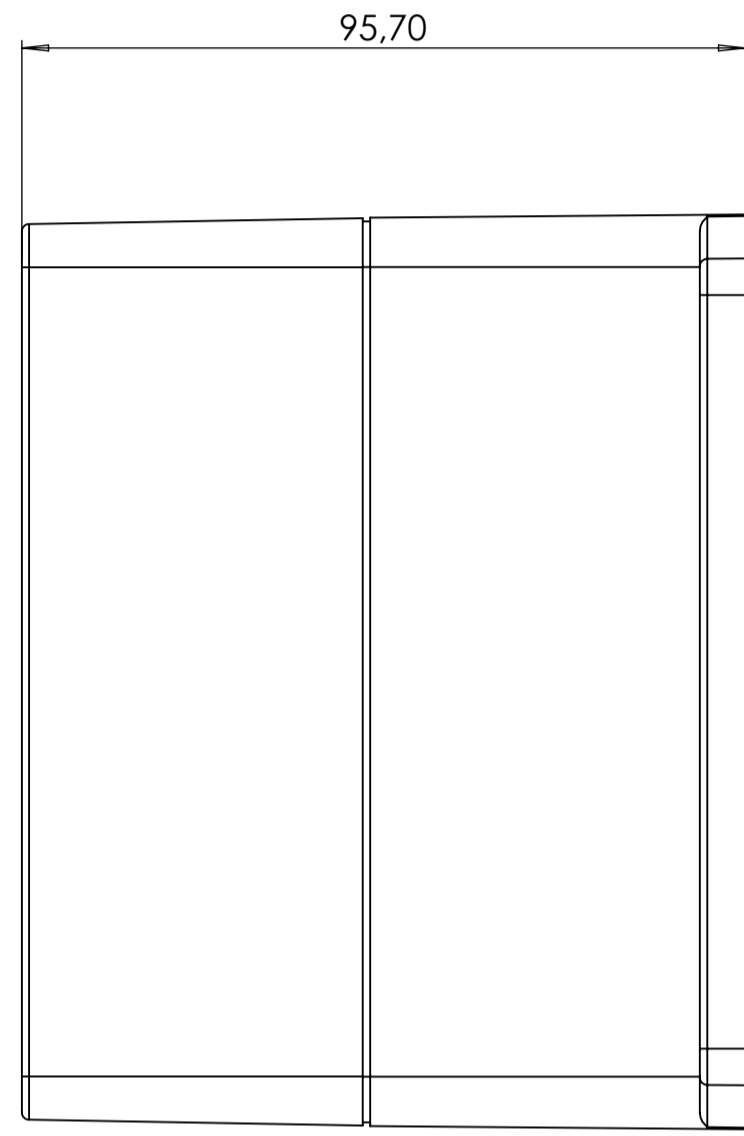
SURFACE-6 (INSIDE)



SURFACE-12 (INSIDE)

REV. NO.	DATE	REVISED BY	DESCRIPTION OF CHANGE
<span style="float: right;"><b>www.altinkaya.com</b></span>			
Customer Name:		Customer Ref.:	
Altinkaya Ref.:		Part Name: SF-232-0-0	
DRAWN	NAME	DATE	Drawn From:
CHECKED	Y. YESILOZ	5.07.2024	Material:
Dimensional Tolerances:			SCALE 1:1 UNIT : mm
UNLESS OTHERWISE SPECIFIED:			Dimension(mm)
(DIN7148)	±0.1	±0.1	±0.2 ±0.3 ±0.5
			30-120mm 120-400mm
			m(medium)

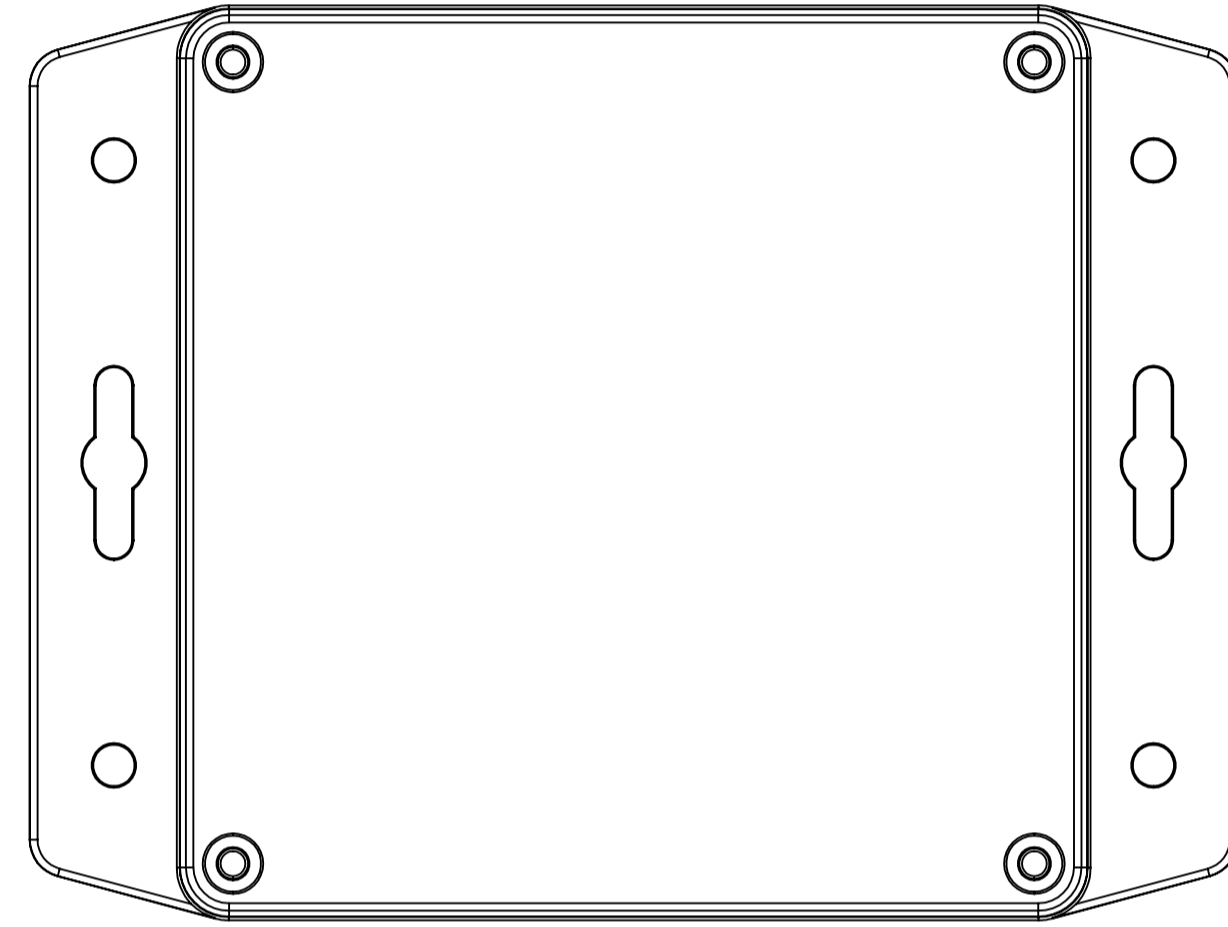
**SF-232 IF MACHINED TOGETHER**



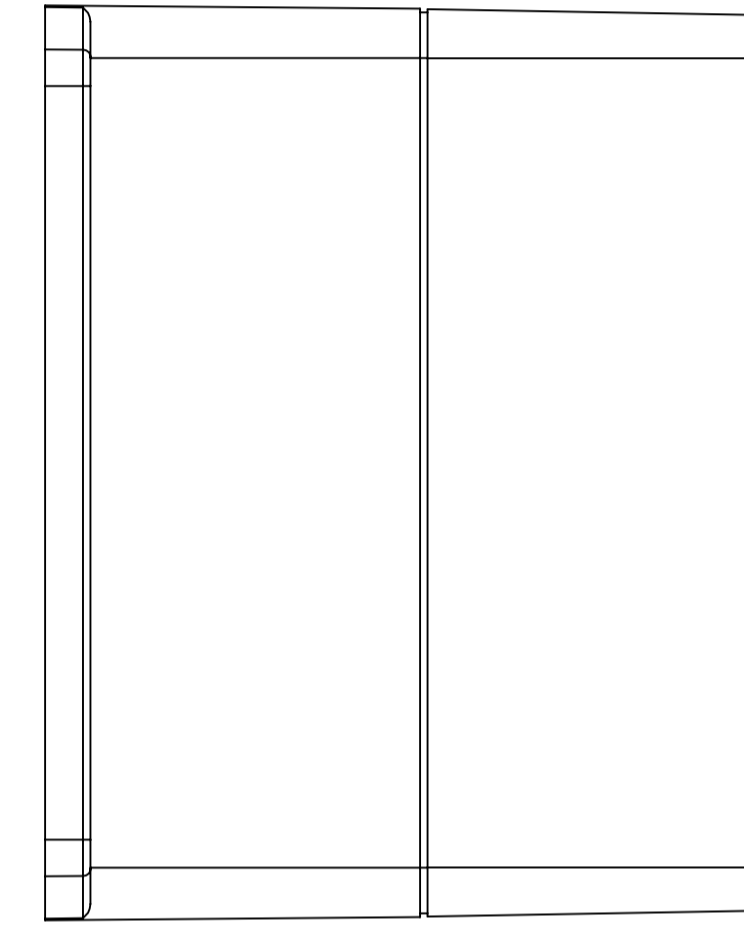
SURFACE-15



SURFACE-13



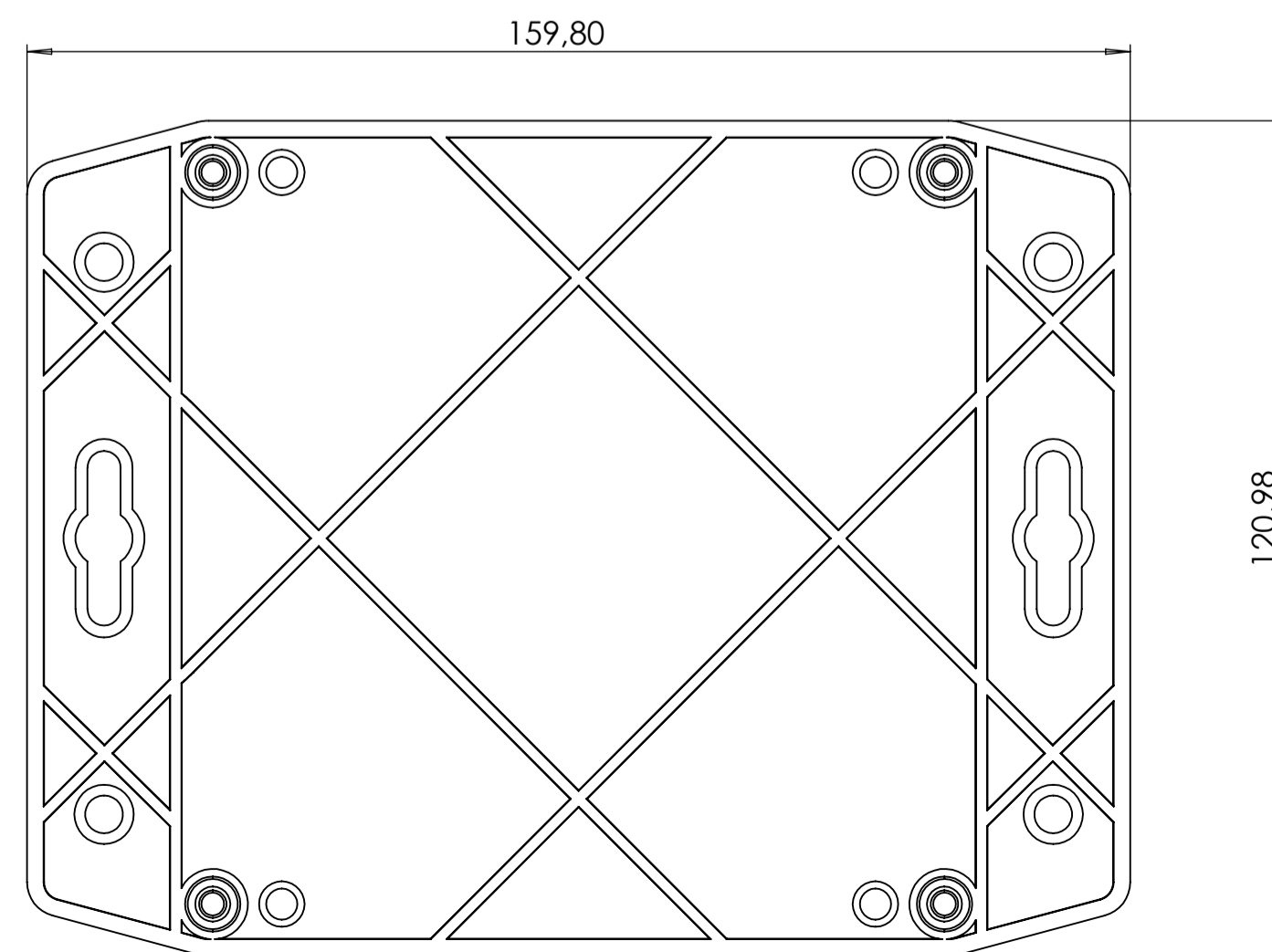
SURFACE-17



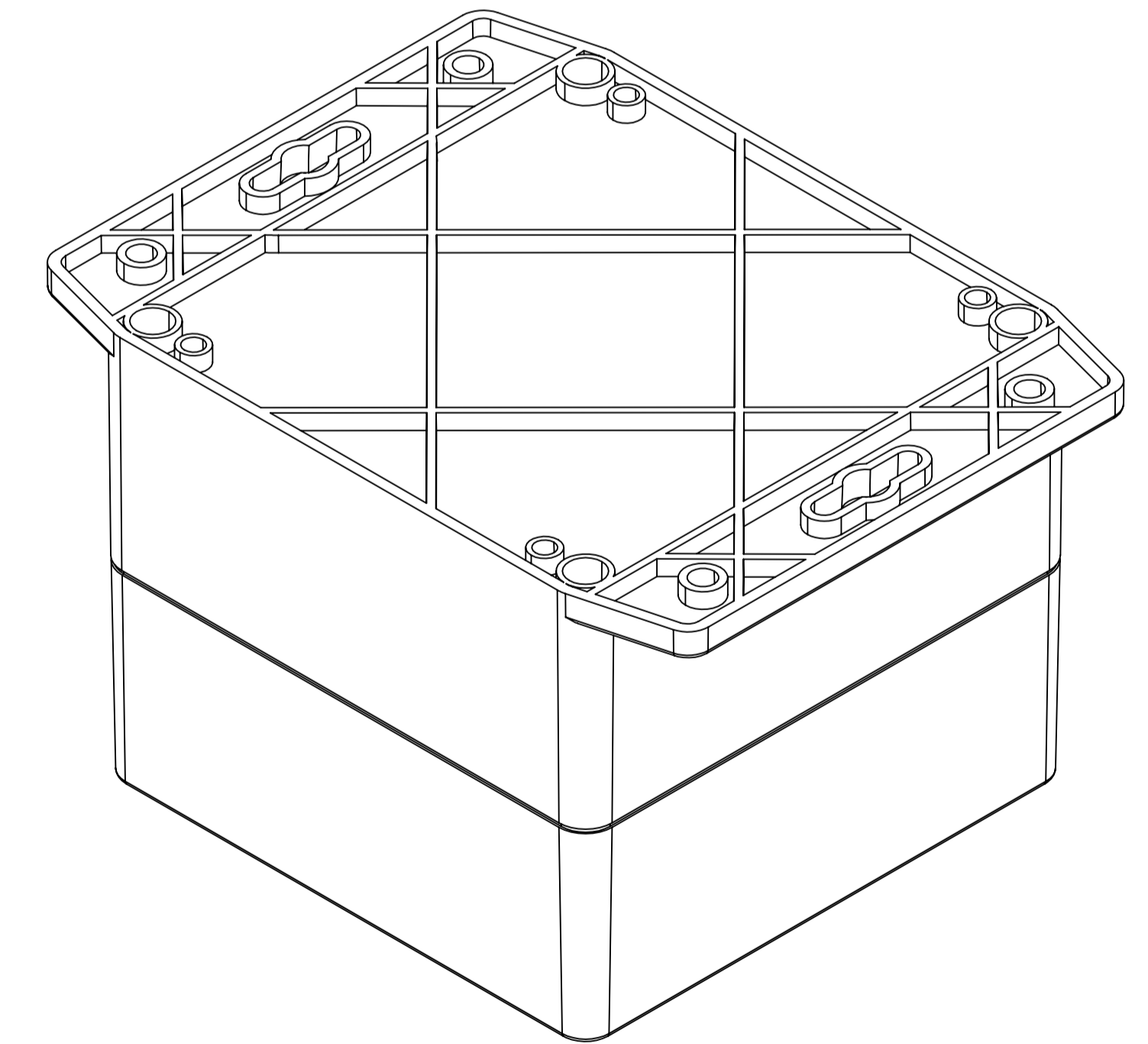
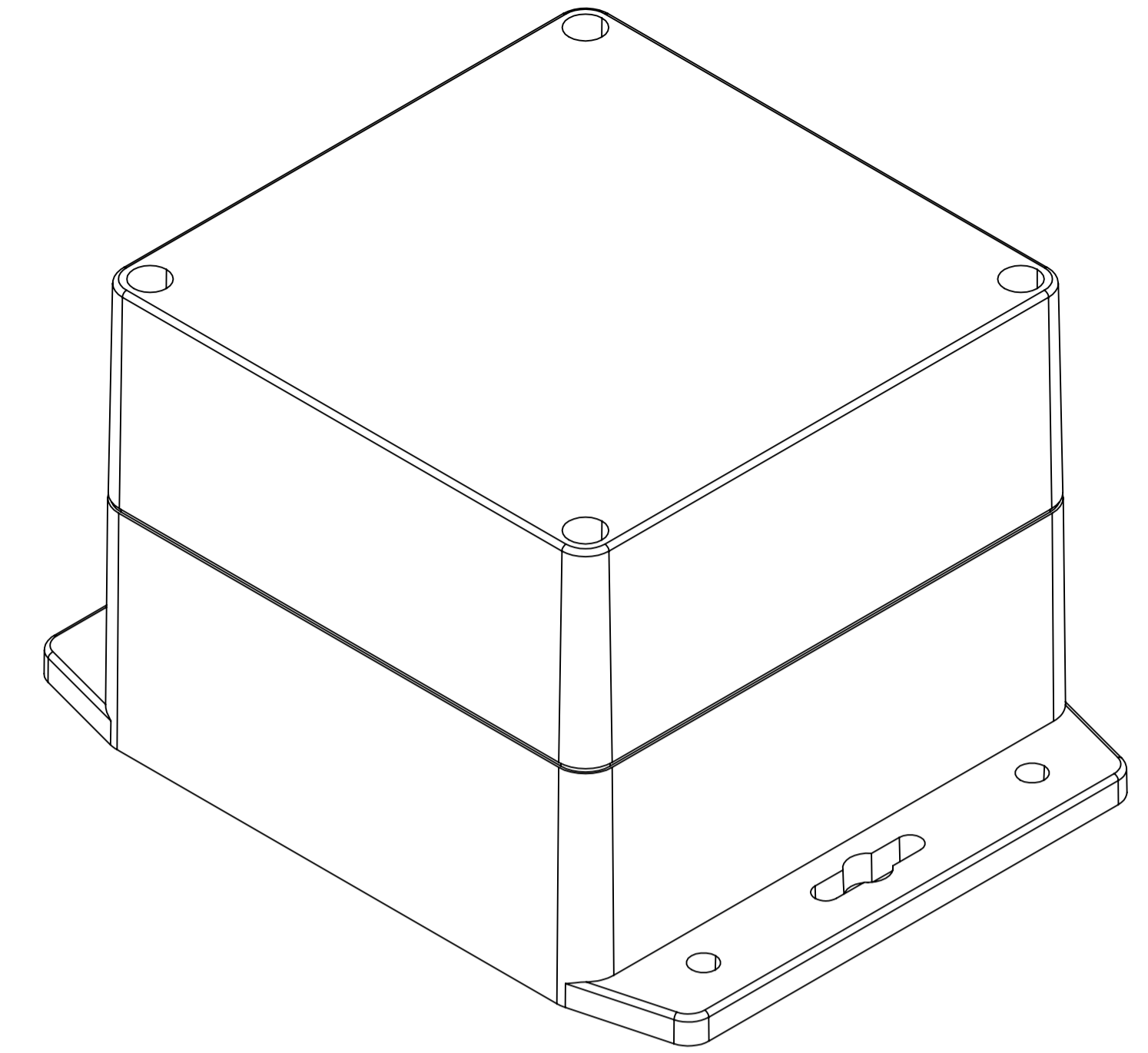
SURFACE-16




SURFACE-14



SURFACE-18



REV. NO.	DATE	REVISED BY	DESCRIPTION OF CHANGE
 <b>ALTINKAYA</b> Electronic Enclosures & Components			<a href="http://www.altinkaya.com">www.altinkaya.com</a>
Customer Name:		Customer Ref.:	
Altinkaya Ref.:		Part Name: SF-232-0-0	
DRAWN	NAME	DATE	Drawn From:
CHECKED	Y. YEL	5.07.2024	Material:
Dimensional Tolerances:			SCALE 1:1 UNIT : mm
UNLESS OTHERWISE SPECIFIED:			Dimension(mm)
(mm)	±0.1	±0.1	±0.2
	±0.3	±0.5	