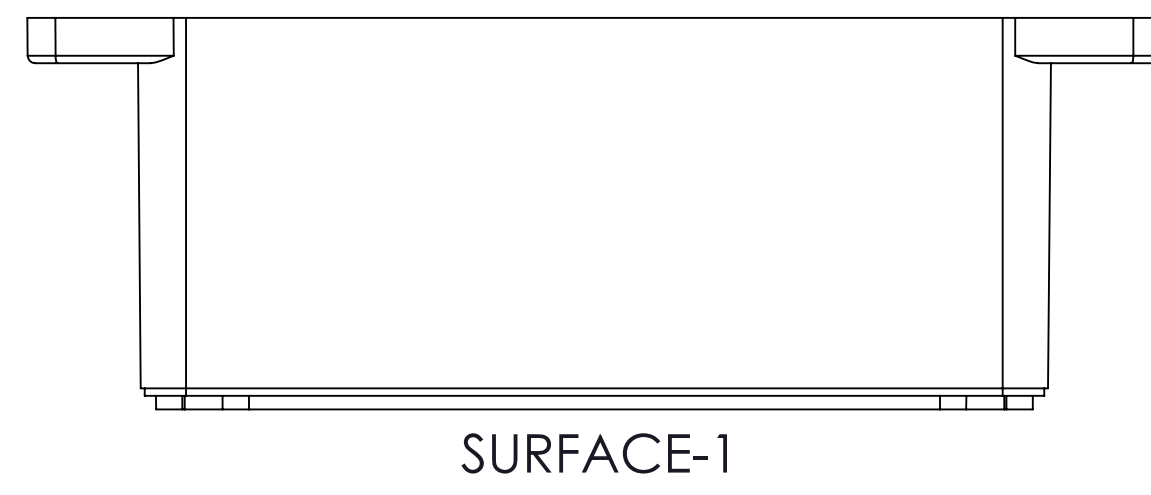
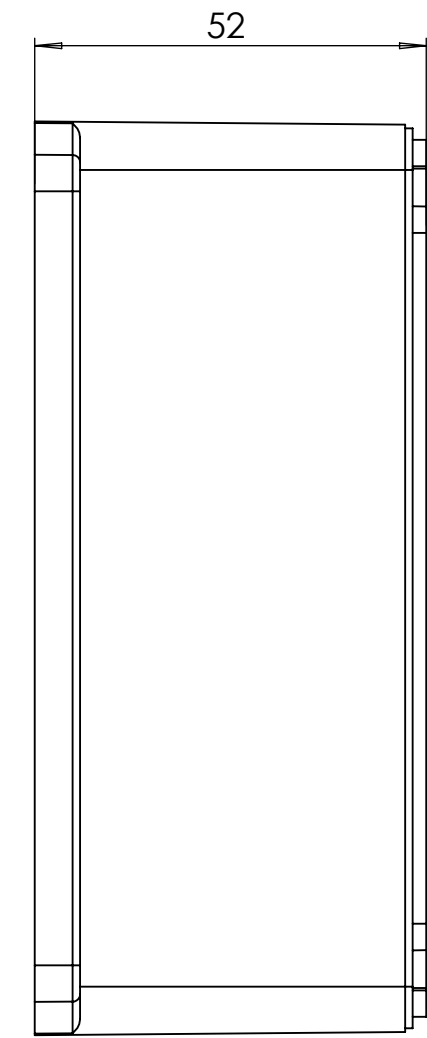


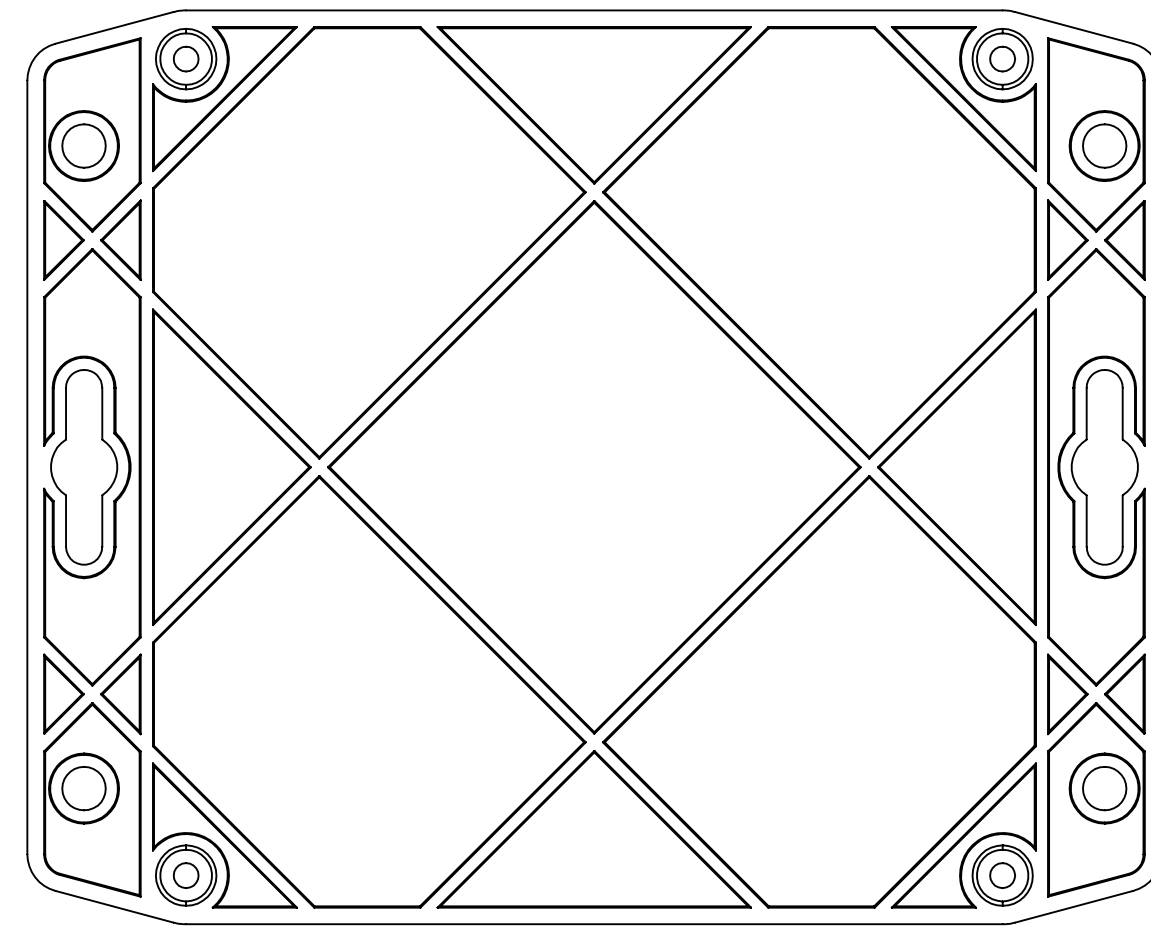
BASE: 6 SURFACE



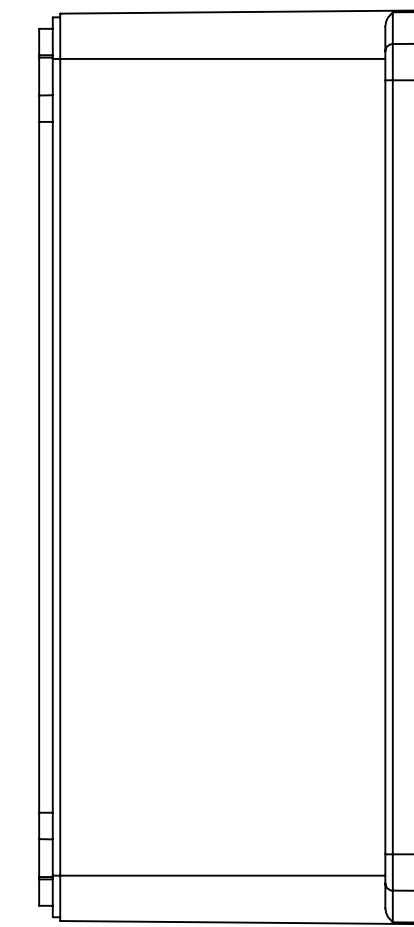
SURFACE-1



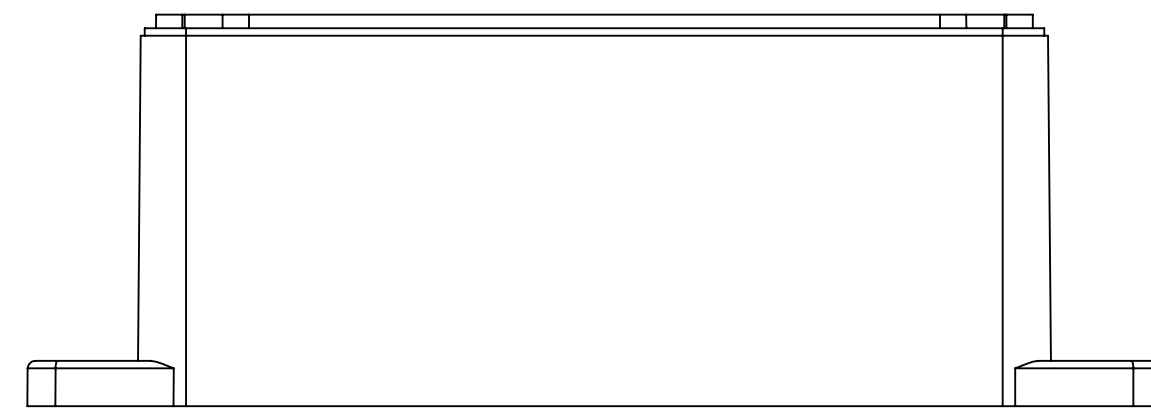
SURFACE-3



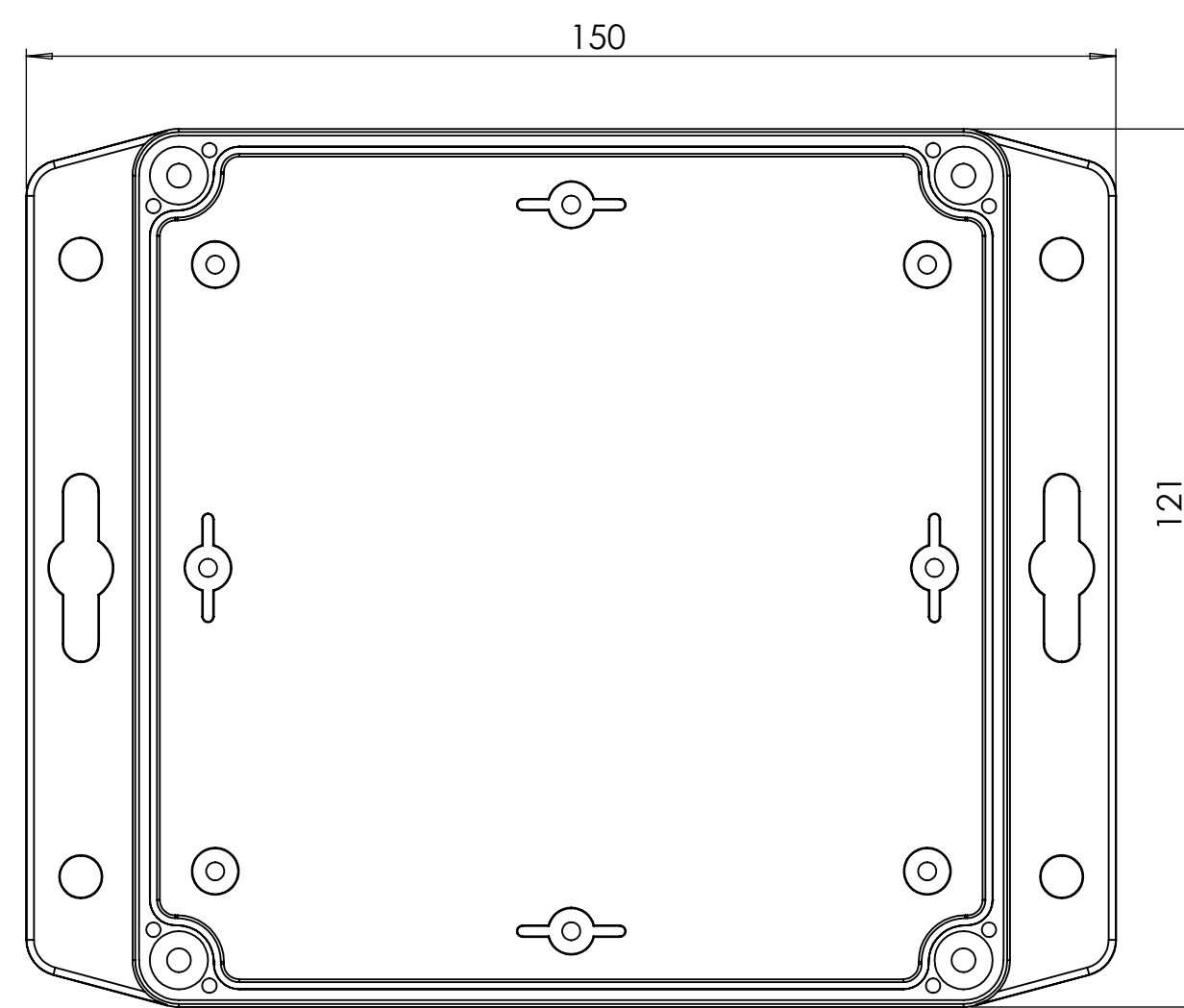
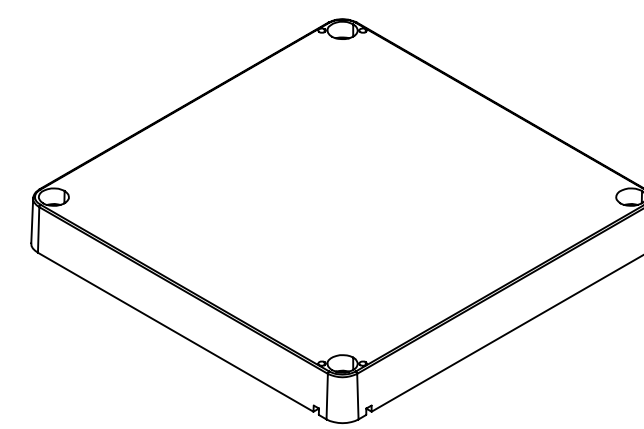
SURFACE-5



SURFACE-4



SURFACE-2

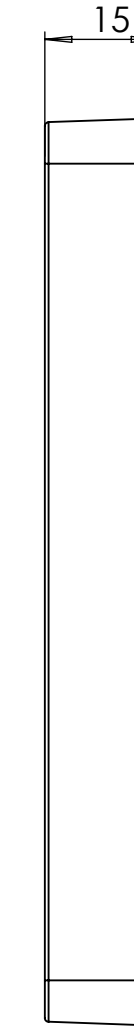


SURFACE-6 (INSIDE)

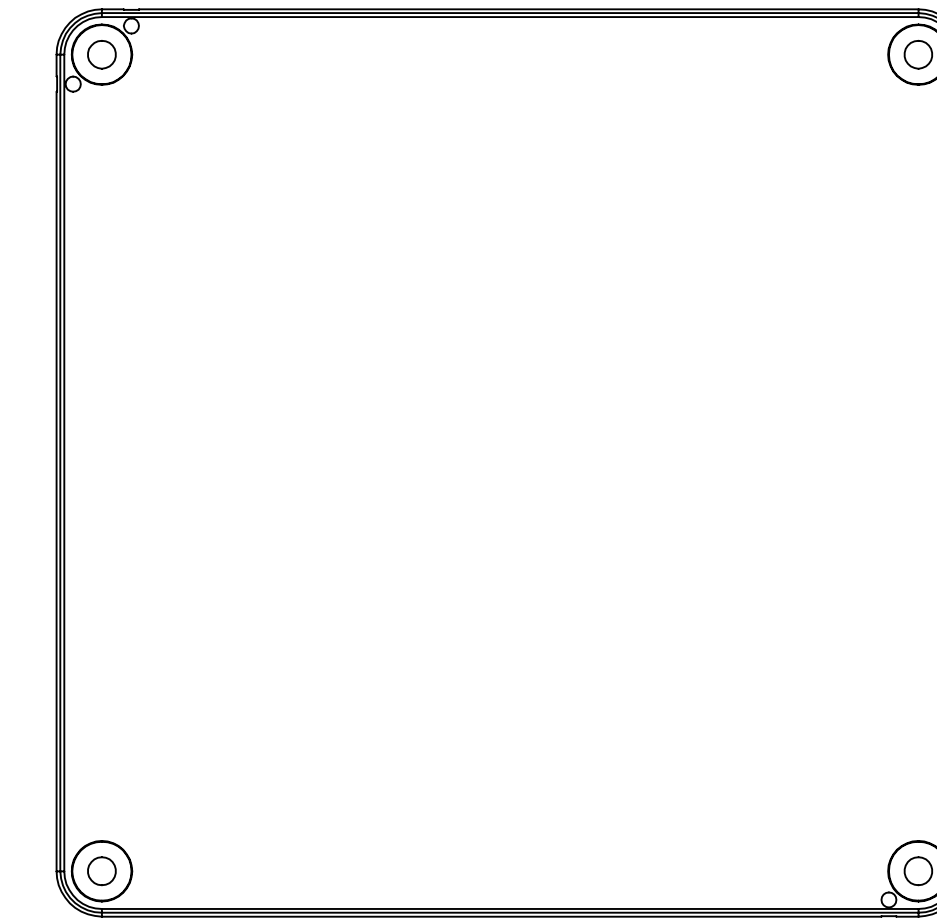
COVER: 6 SURFACE



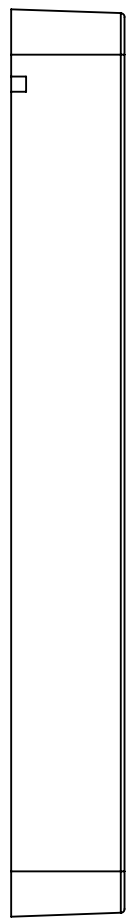
SURFACE-7



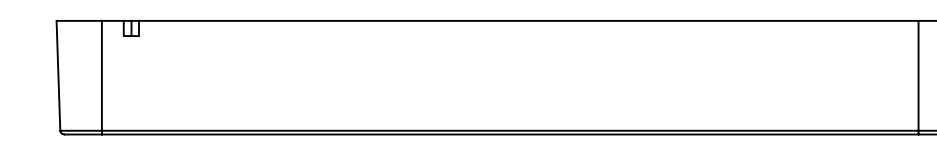
SURFACE-9



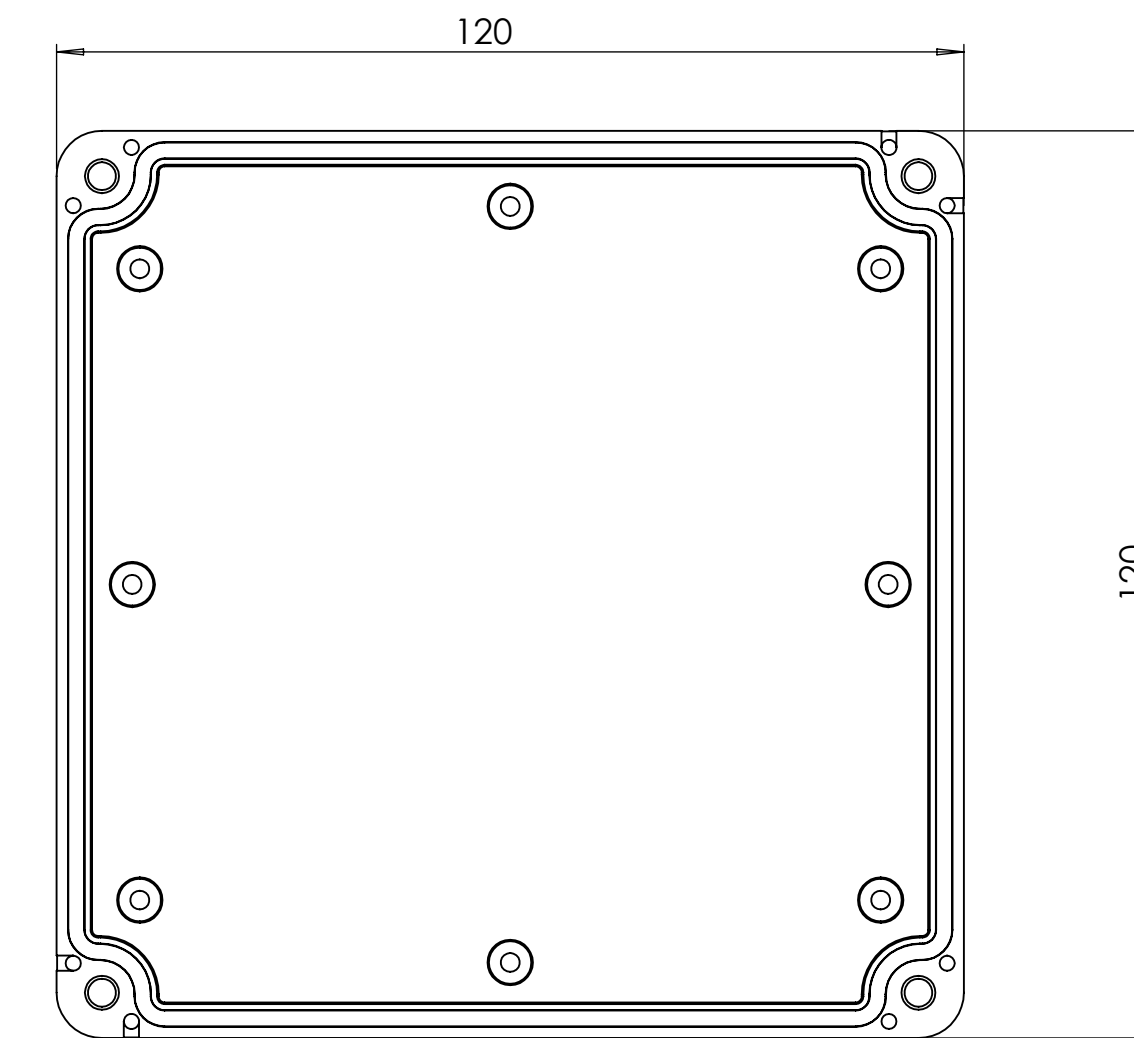
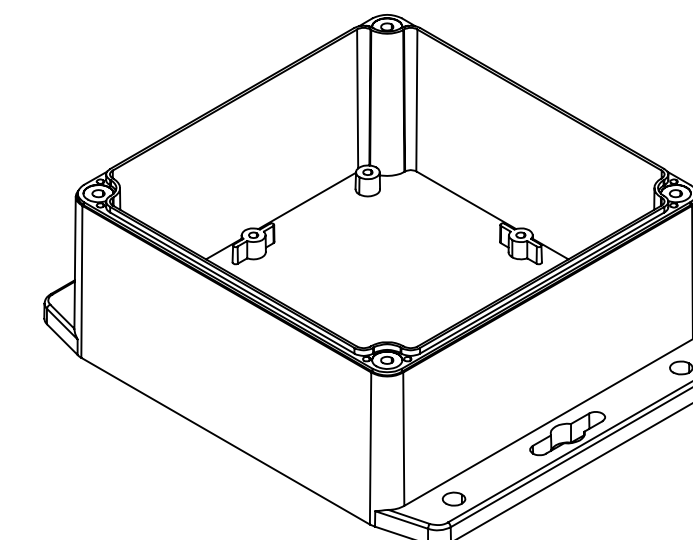
SURFACE-11




SURFACE-10



SURFACE-8



SURFACE-12 (INSIDE)

REV. NO.	DATE	REVISED BY	DESCRIPTION OF CHANGE
 ALTINKAYA Electronic Enclosures & Components			www.altinkaya.com
Customer Name:		Customer Ref.:	
Altinkaya Ref.:		Part Name: SF-231-0-0	
DRAWN	NAME	DATE	Drawn From:
CHECKED	Y. YEL	5.07.2024	Material:
DIMENSIONAL TOLERANCES UNLESS OTHERWISE SPECIFIED:			SCALE 1:1 UNIT : mm
±0.1	±0.1	±0.2	±0.3
±0.1	±0.1	±0.2	±0.5
Dimension(mm)			A1
m(medium)			SHEET 1 OF 2

