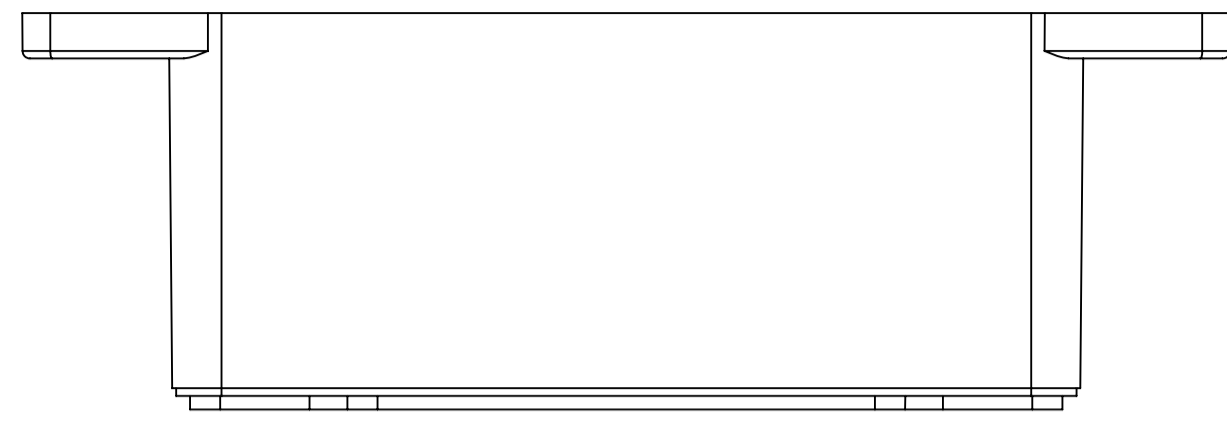
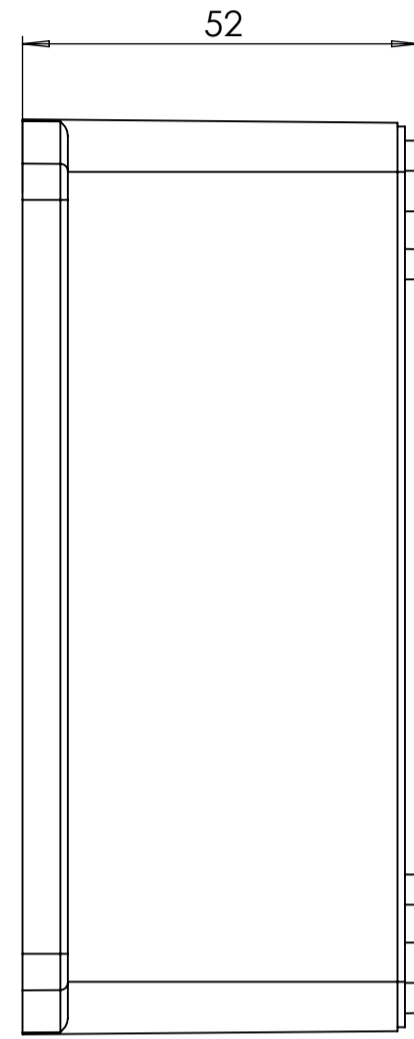


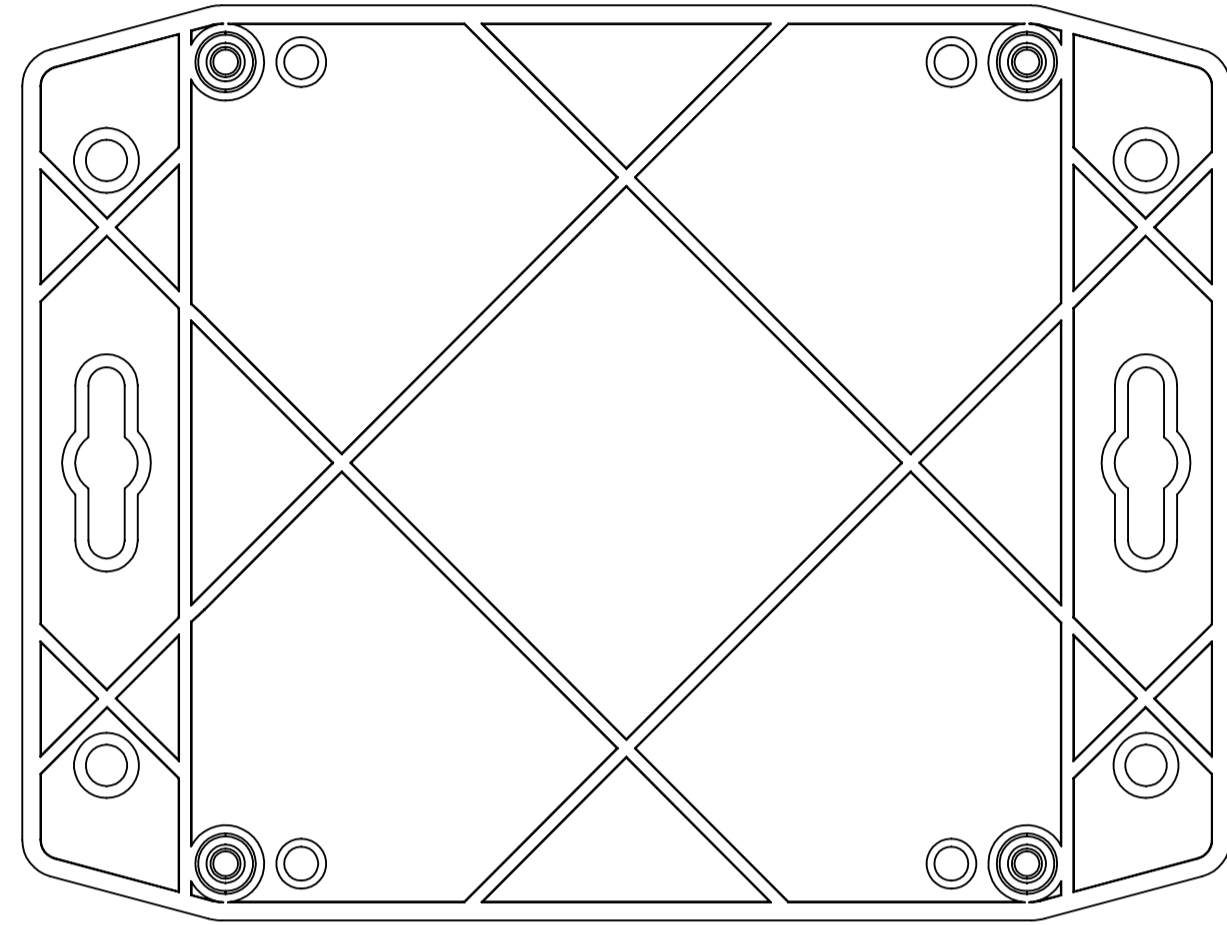
BASE: 6 SURFACE



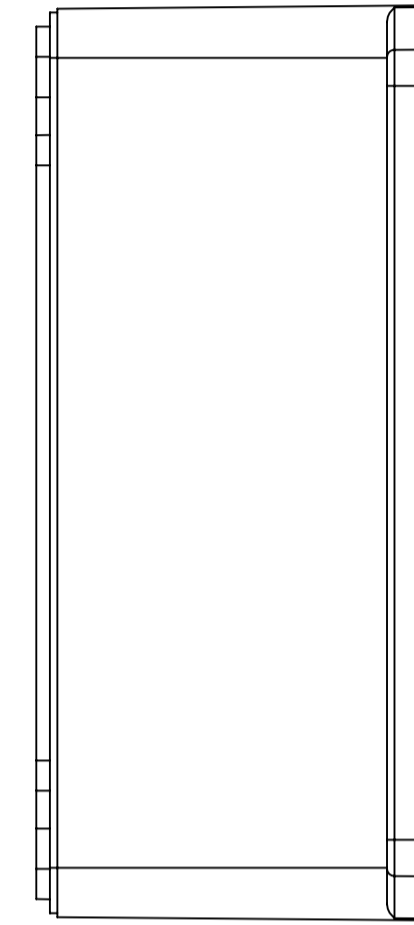
SURFACE-1



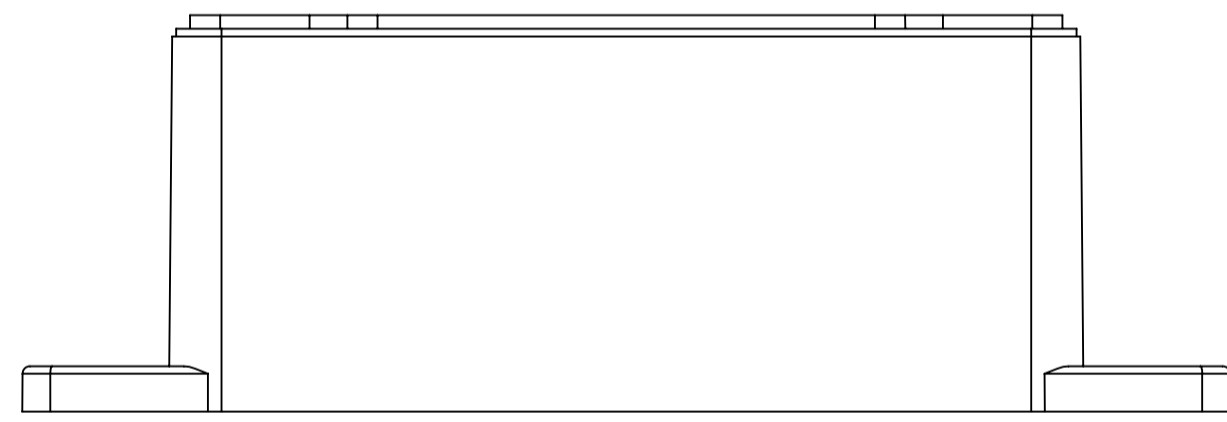
SURFACE-3



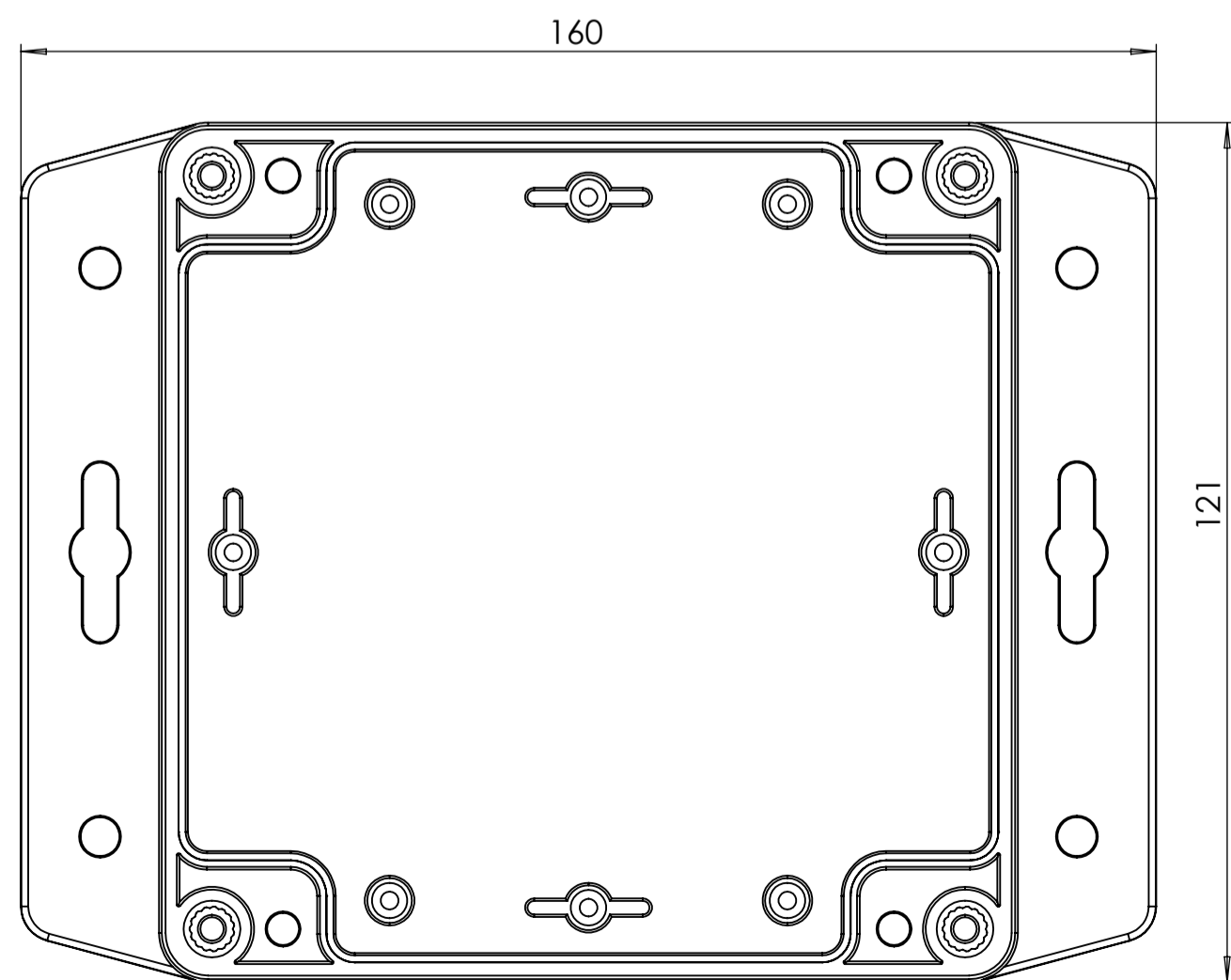
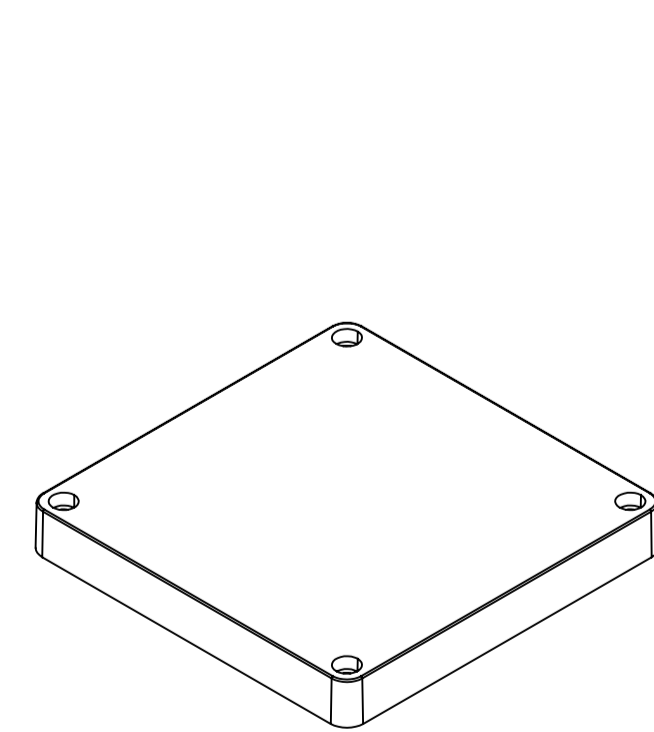
SURFACE-5



SURFACE-4

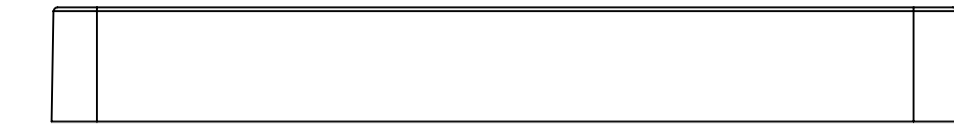


SURFACE-2

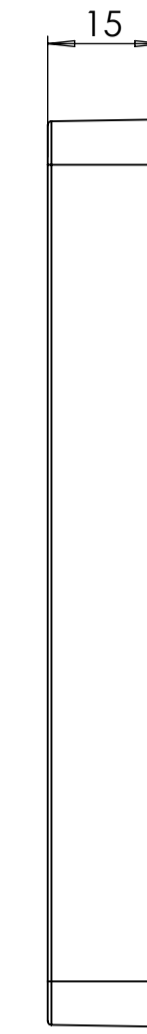


SURFACE-6 (INSIDE)

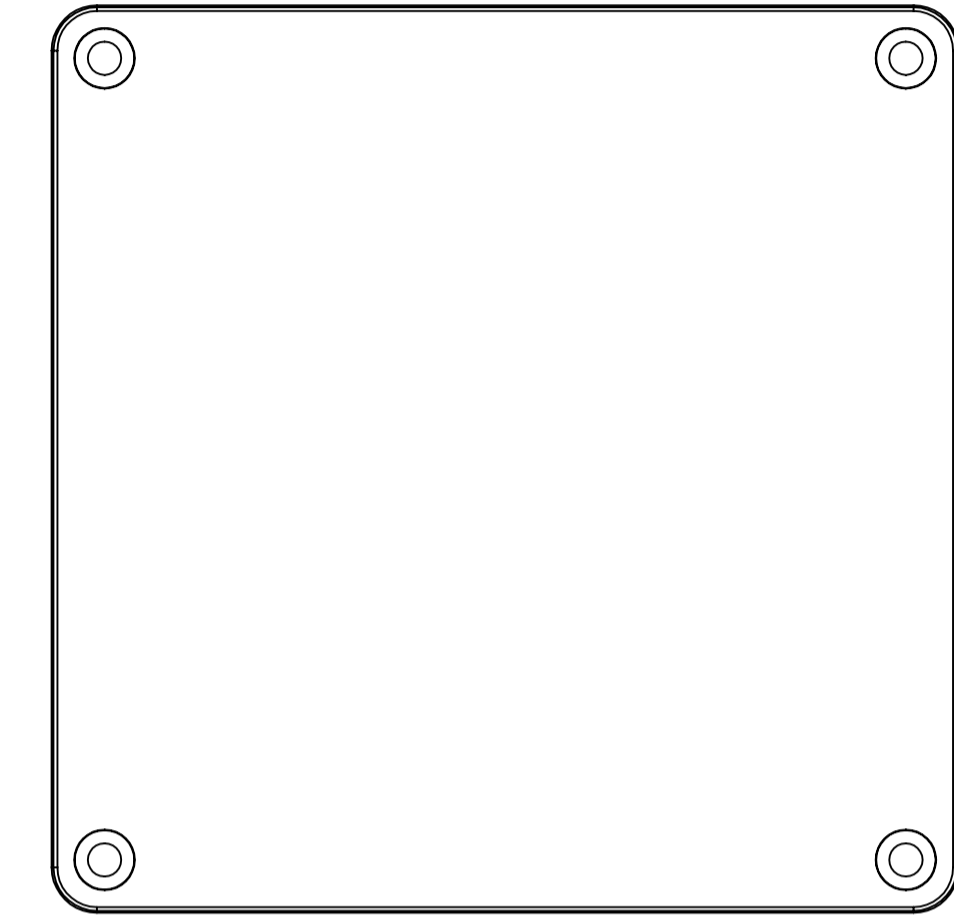
COVER: 6 SURFACE



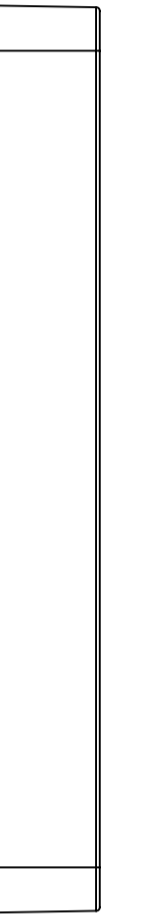
SURFACE-7



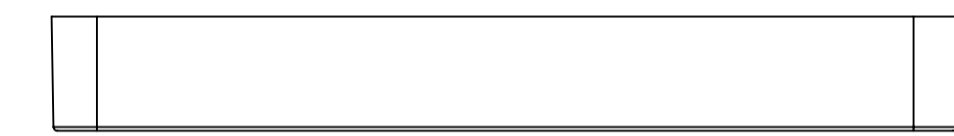
SURFACE-9



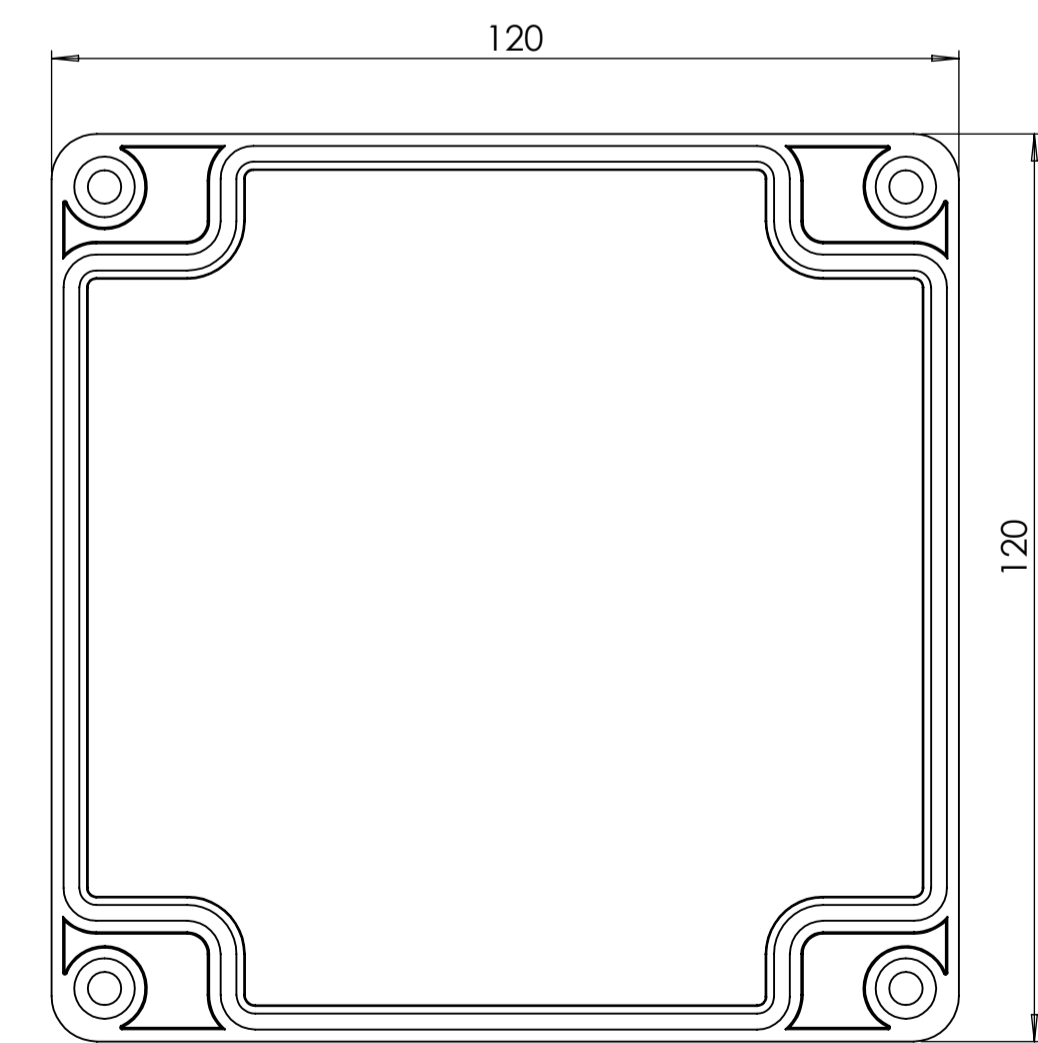
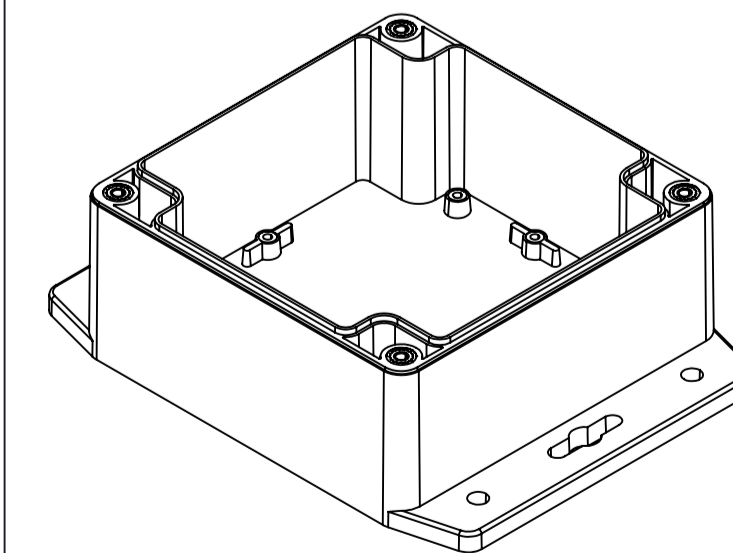
SURFACE-11



SURFACE-10



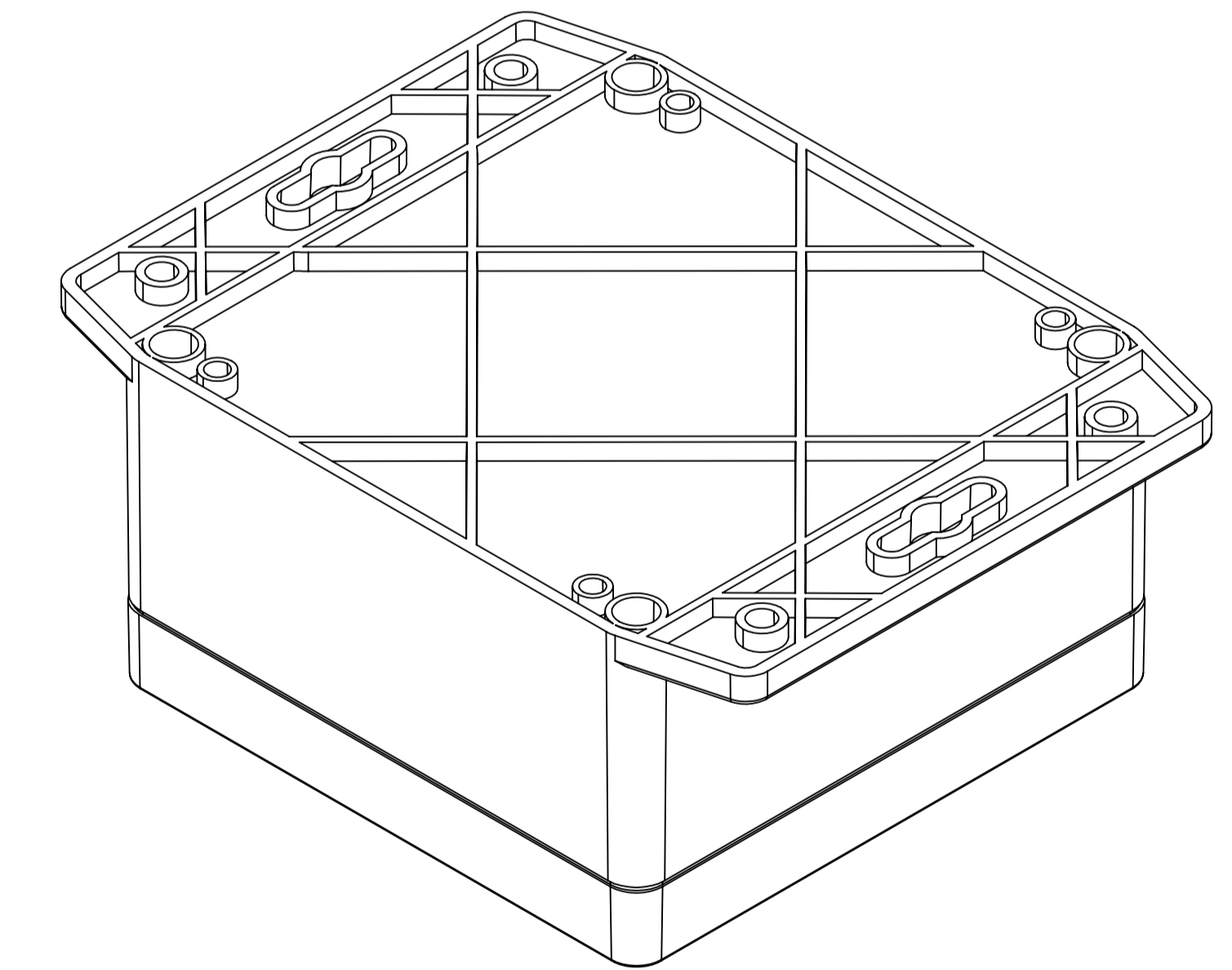
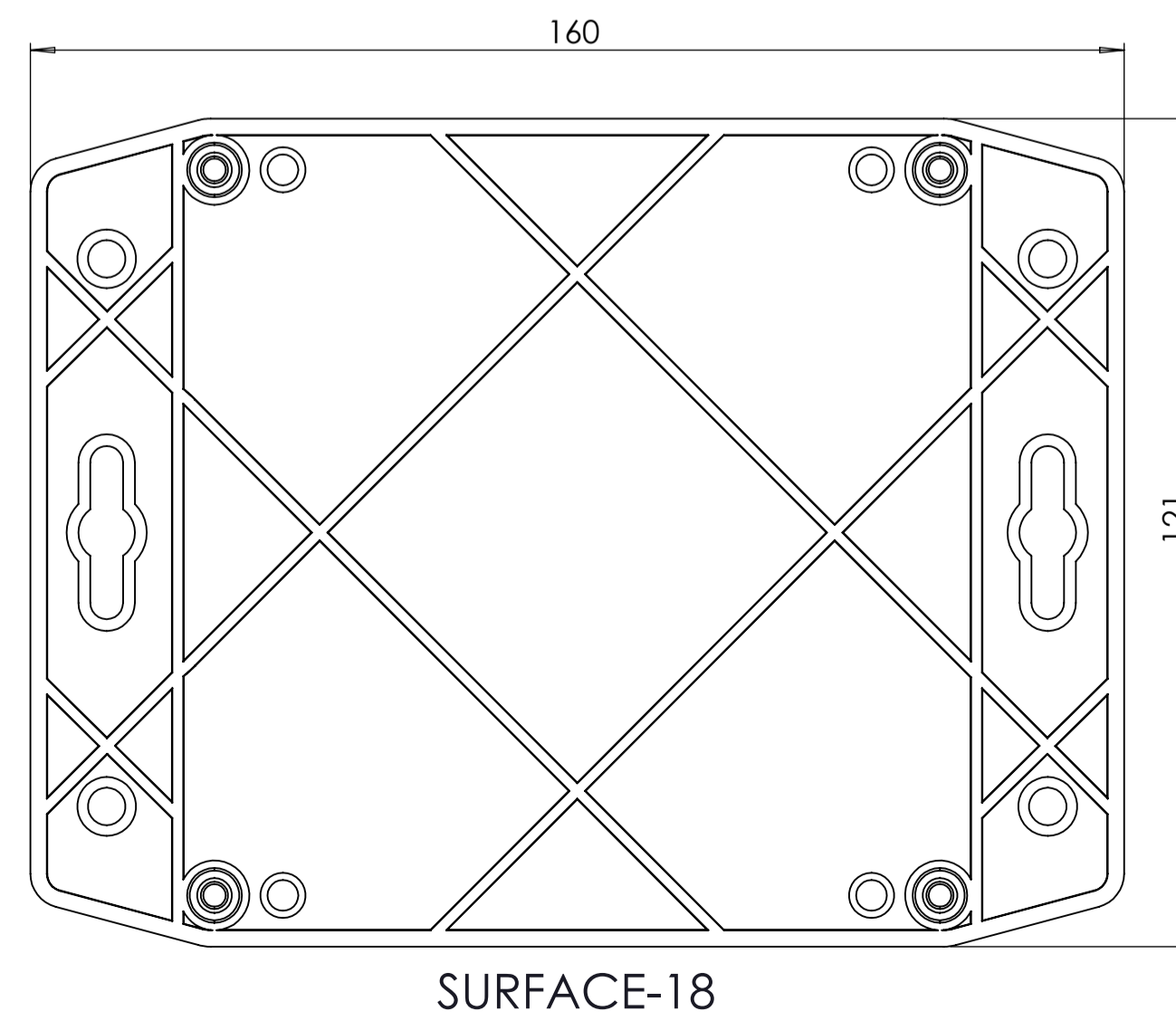
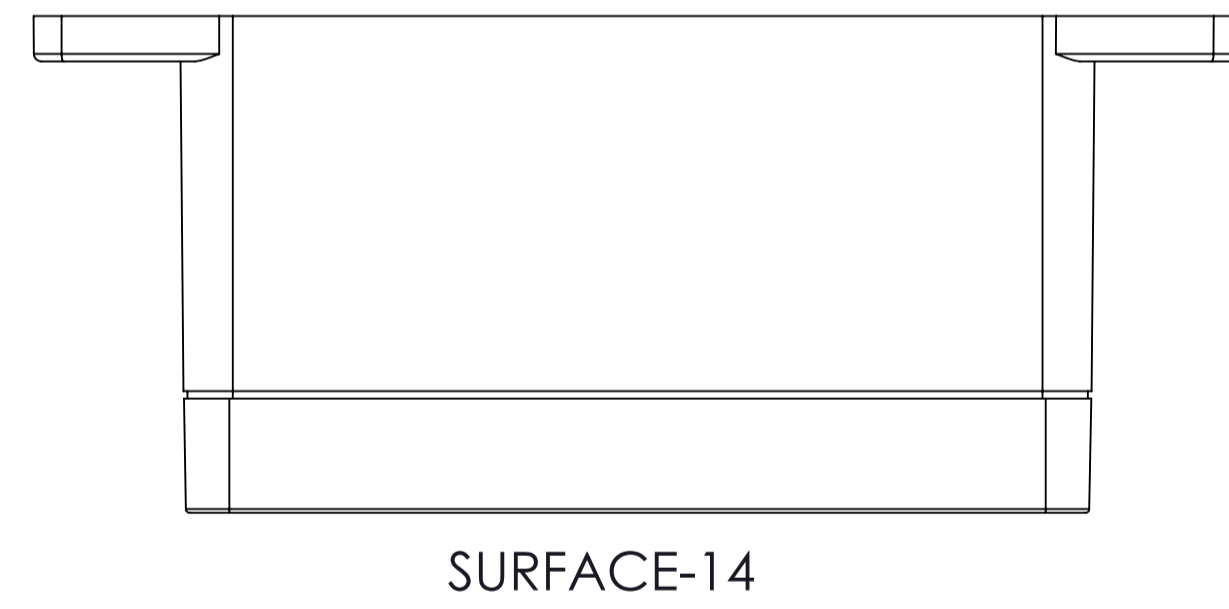
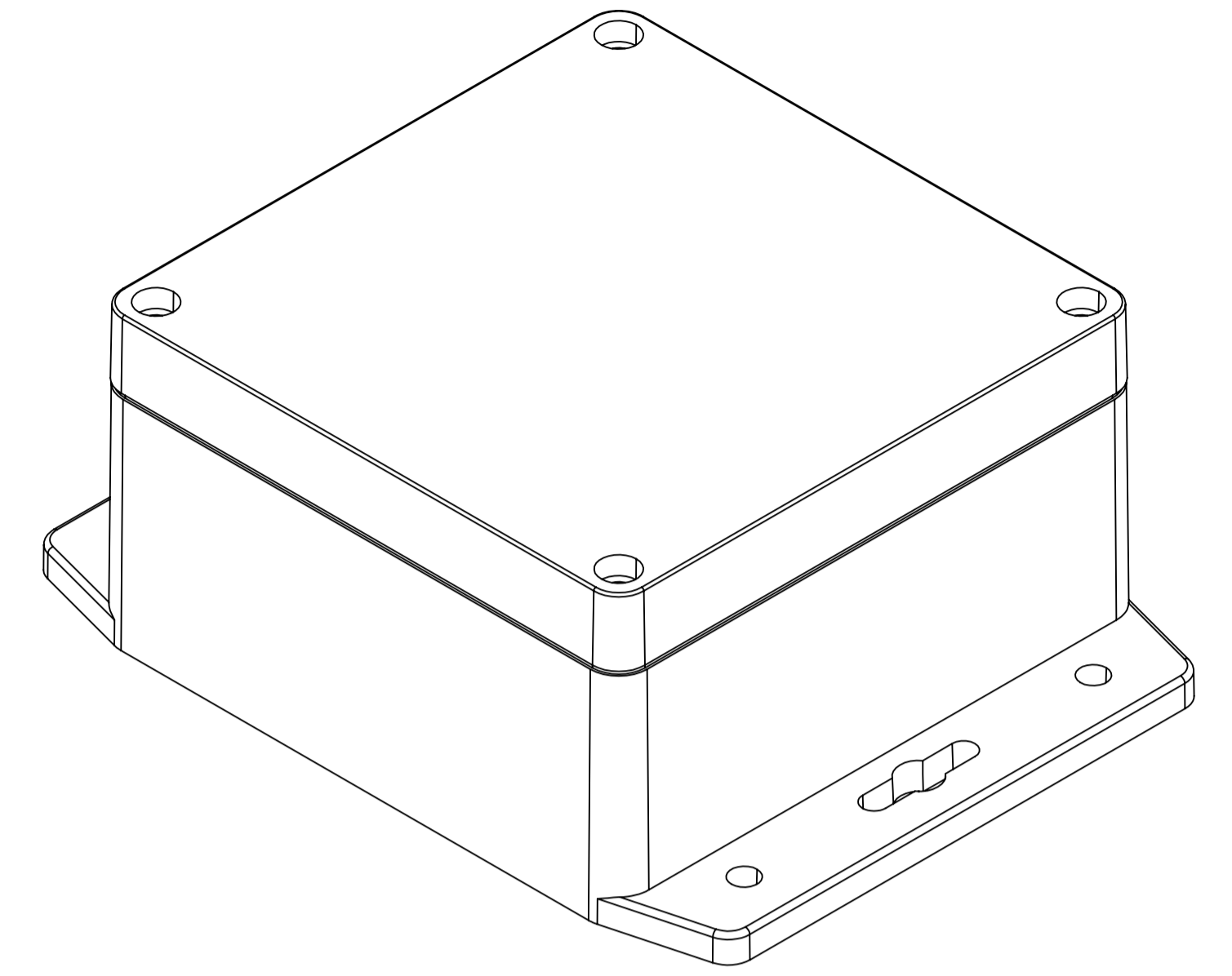
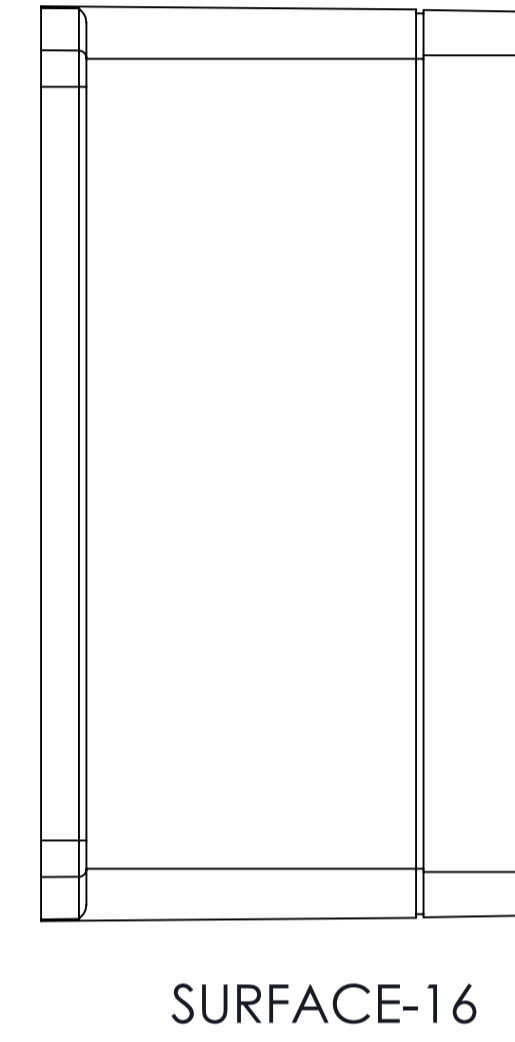
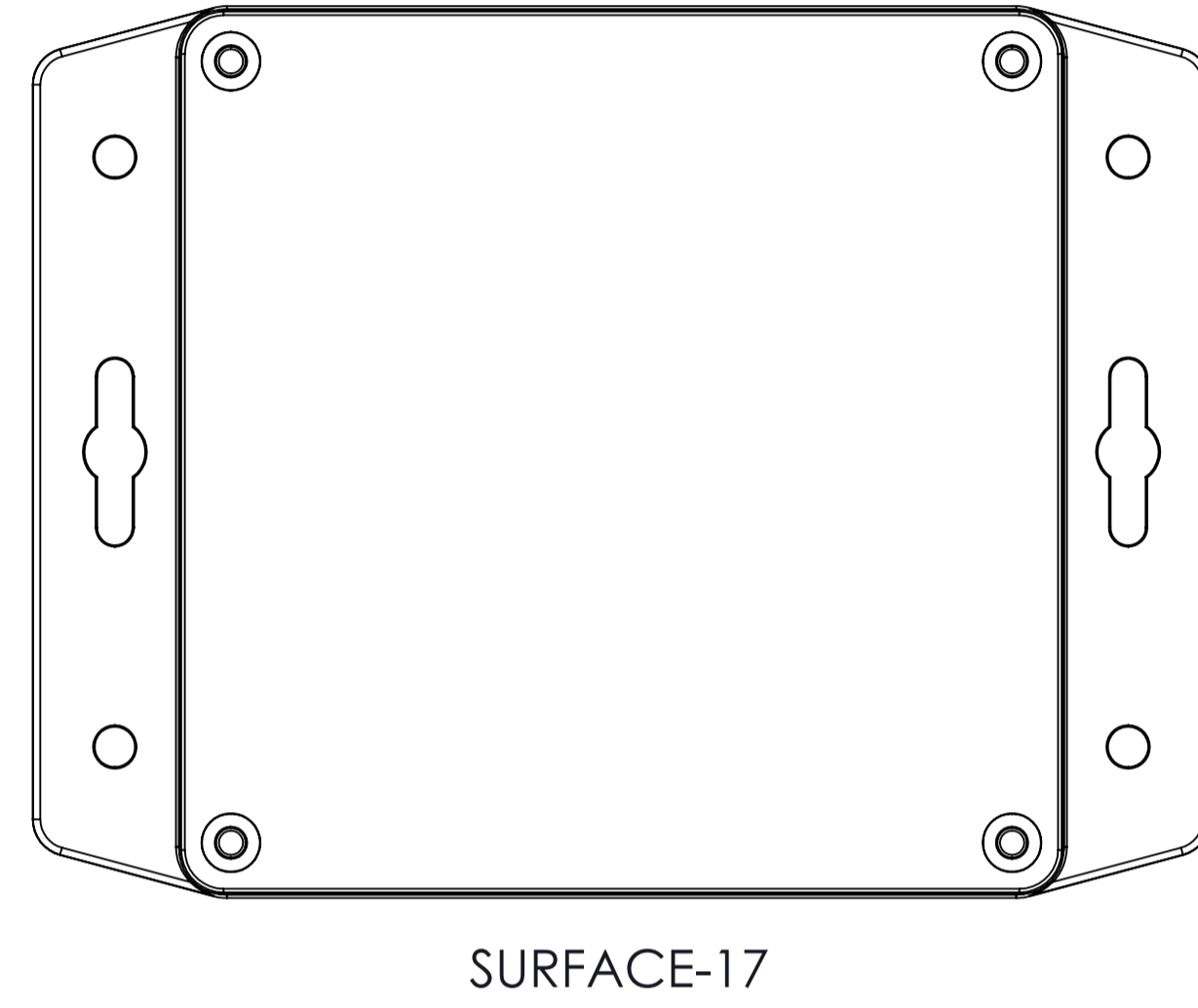
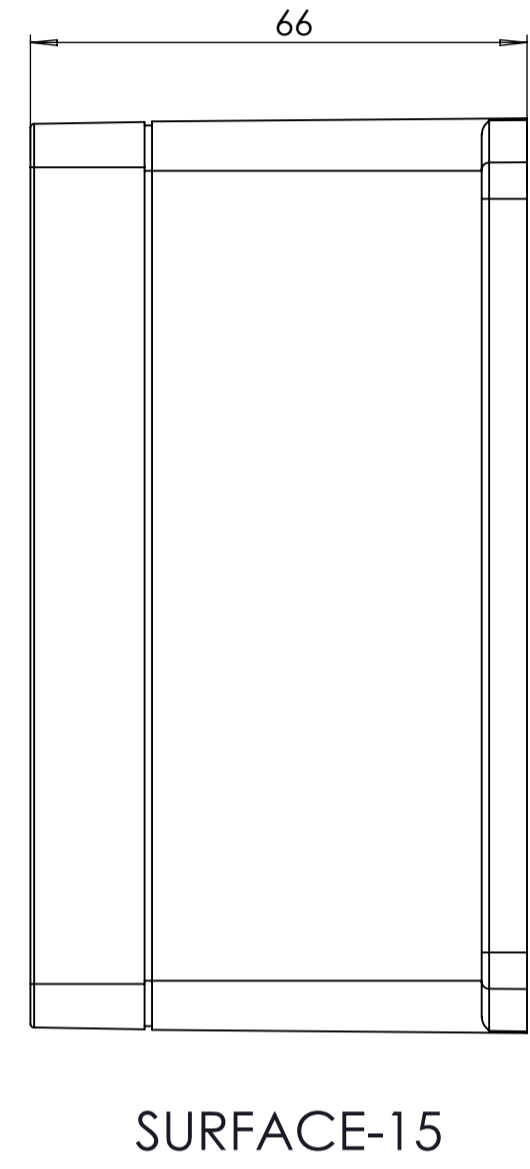
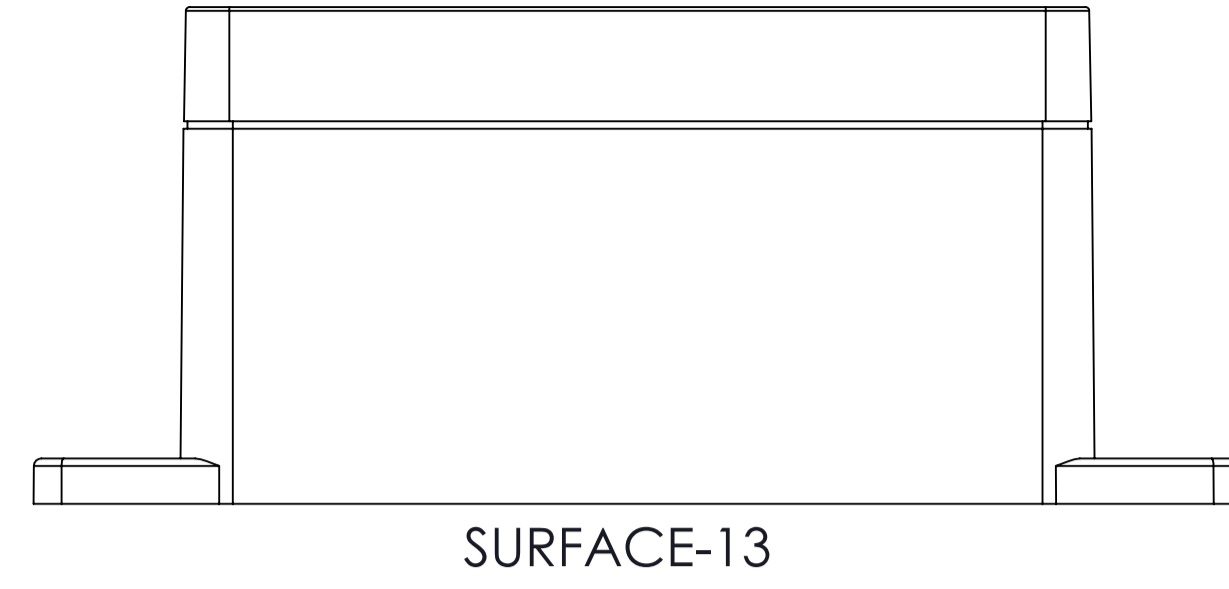
SURFACE-8



SURFACE-12 (INSIDE)

REV. NO.	DATE	REVISED BY	DESCRIPTION OF CHANGE
ALTINKAYA Electronic Enclosures & Components www.altinkaya.com			
Customer Name:		Customer Ref.:	
Altinkaya Ref.:		Part Name: SF-230-0-0	
DRAWN	NAME	DATE	Drawn From:
CHECKED	Y. YESLOZ	5.07.2024	Material:
DIMENSIONAL TOLERANCES UNLESS OTHERWISE SPECIFIED:			SCALE 1:1 UNIT : mm
(R&T/148)	±0.1	±0.1	±0.2 ±0.3 ±0.5
	3-6mm	6-30mm	30-120mm 120-400mm
			Dimension(mm)
			m(medium)
			SHEET 1 OF 2

SF-230 IF MACHINED TOGETHER



REV. NO.	DATE	REVISED BY	DESCRIPTION OF CHANGE
ALTINKAYA Electronic Enclosures & Components			www.altinkaya.com
Customer Name:		Customer Ref.:	
Altinkaya Ref.:		Part Name: SF-230-0-0	
DRAWN	NAME	DATE	Drawn From:
CHECKED	Y. YEL	5.07.2024	Material:
DIMENSIONAL TOLERANCES UNLESS OTHERWISE SPECIFIED:			Weight:
(R&T/148)	±0.1	±0.1	±0.2
	3-6mm	6-30mm	30-120mm
		±0.3	120-400mm
		±0.5	
			SCALE 1:1 UNIT : mm
			Dimension(mm)
			m(medium)
			SHEET 2 OF 2