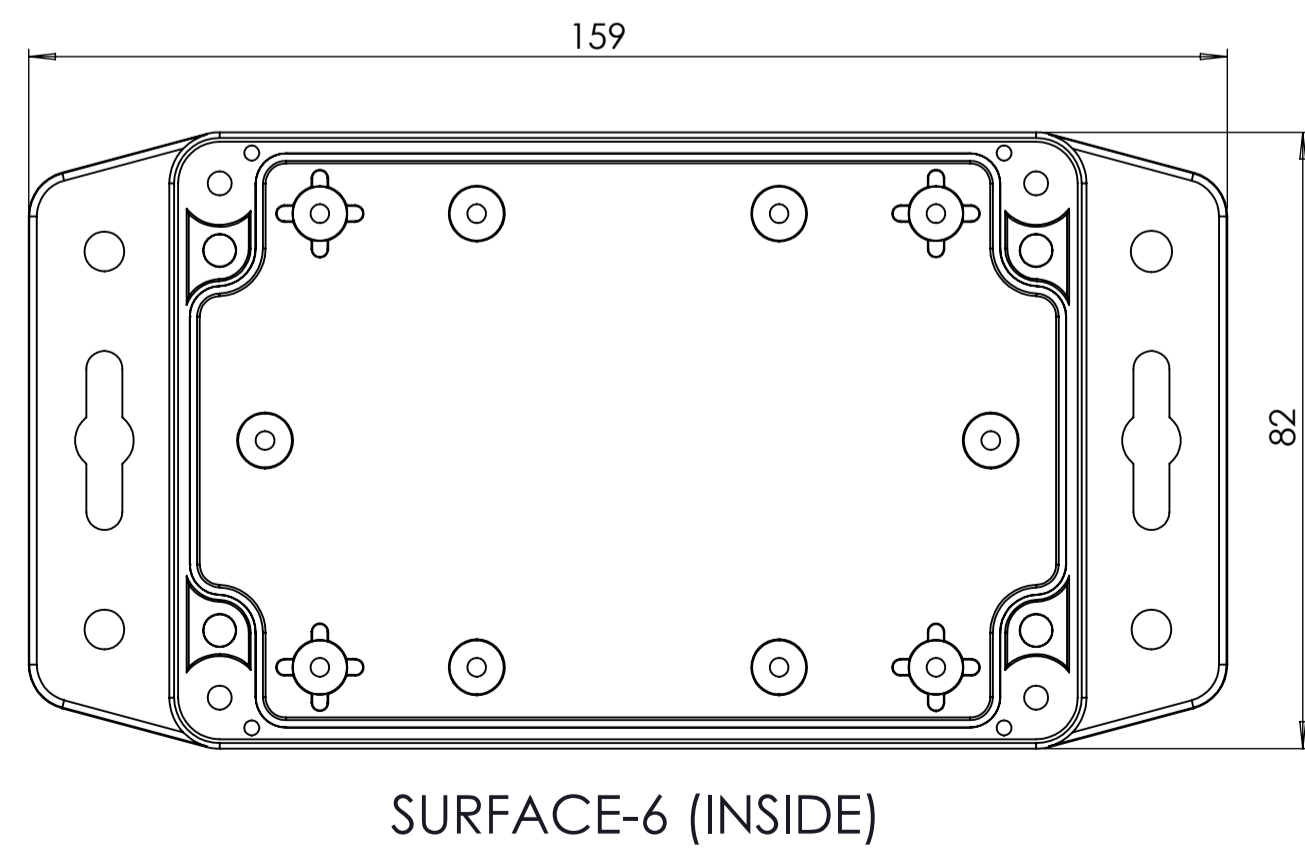
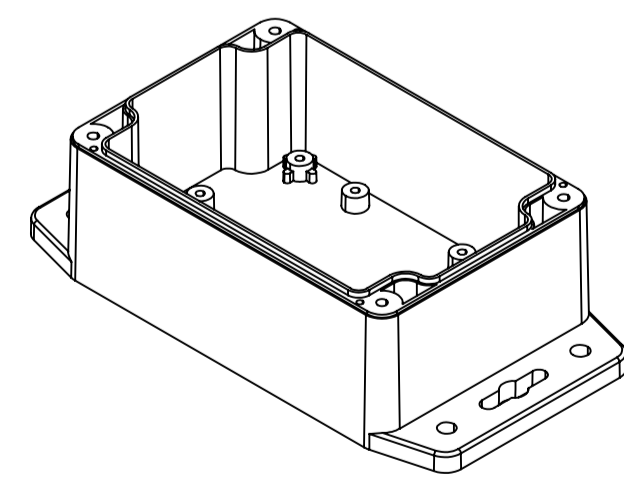
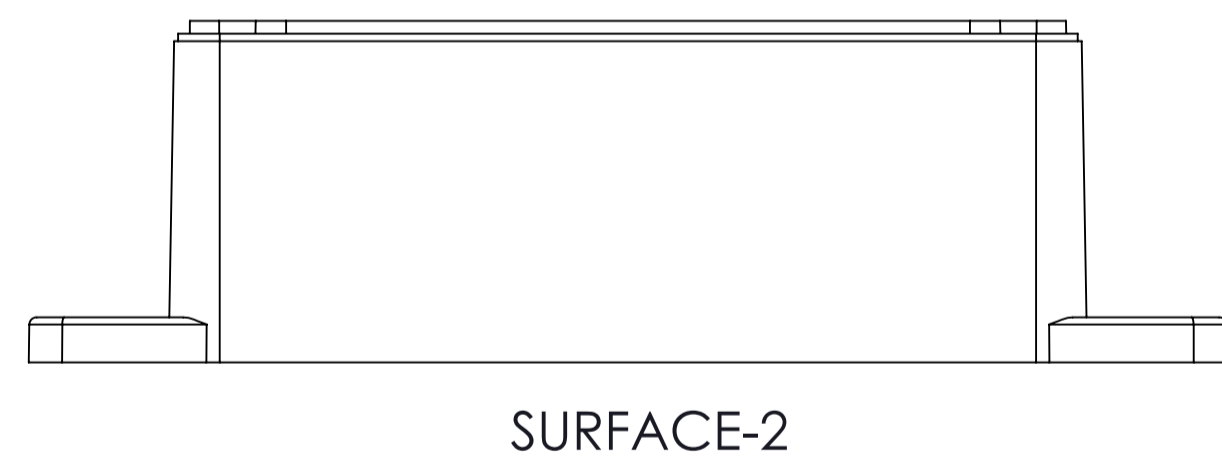
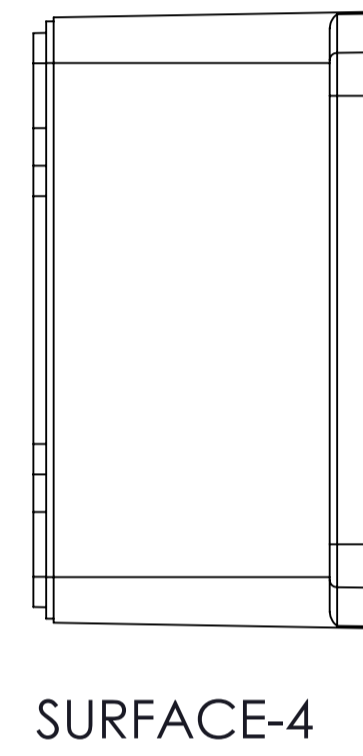
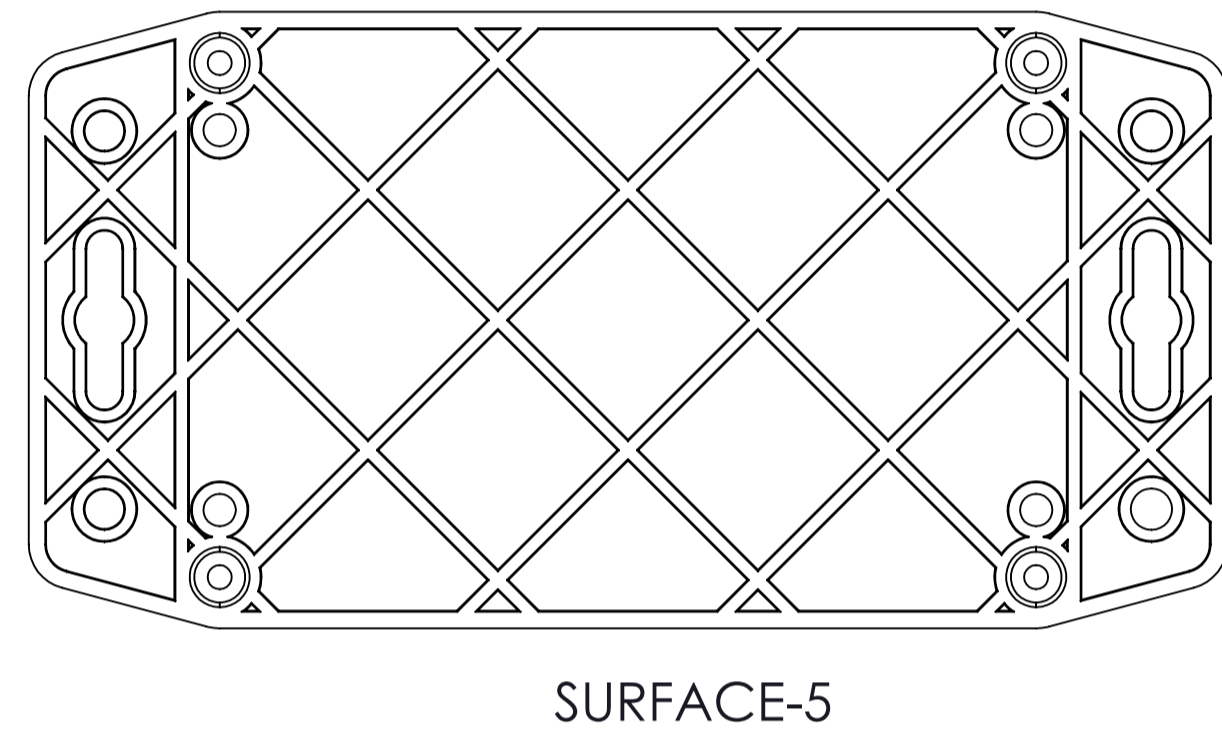
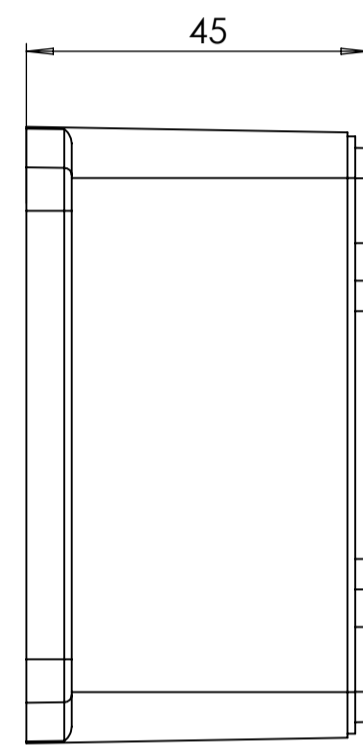
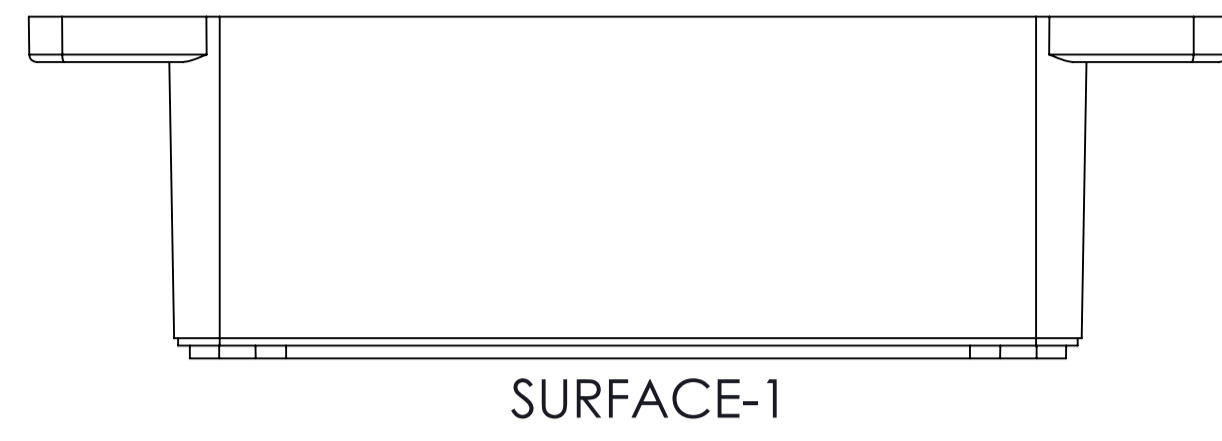
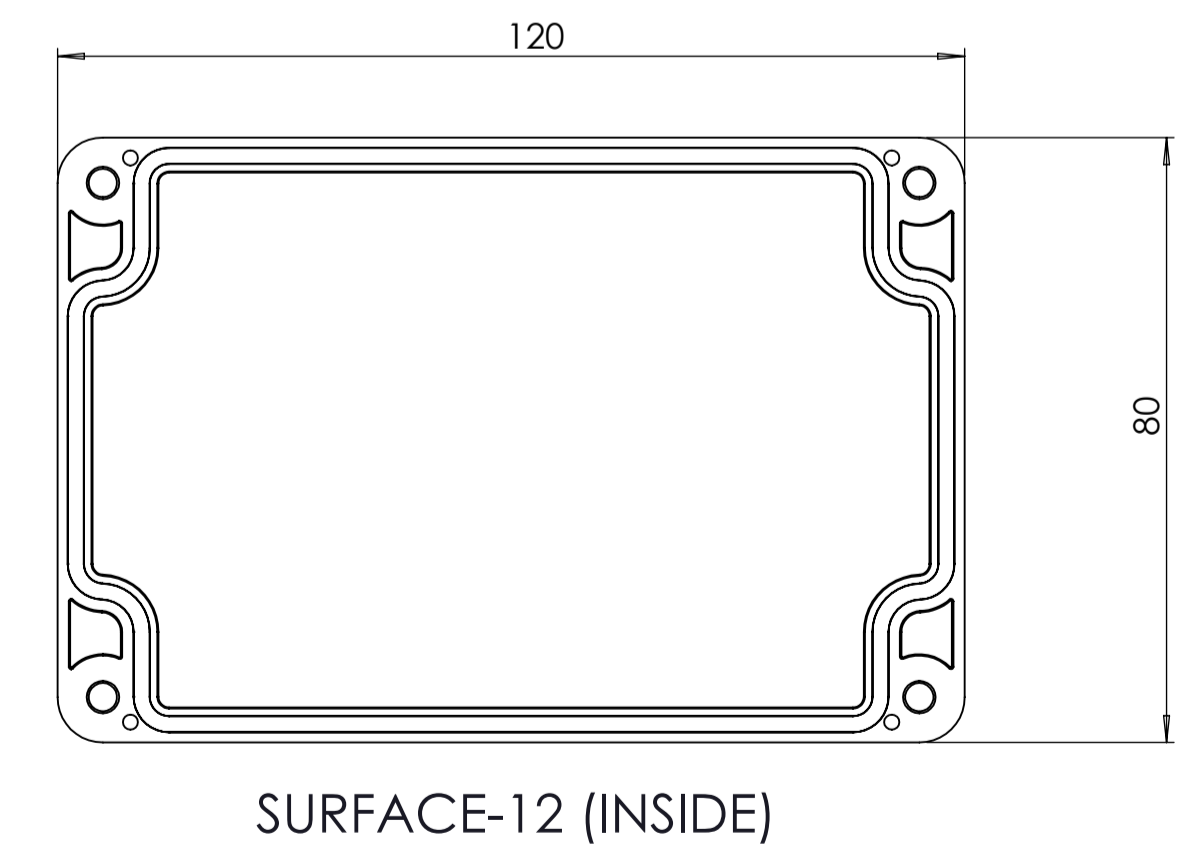
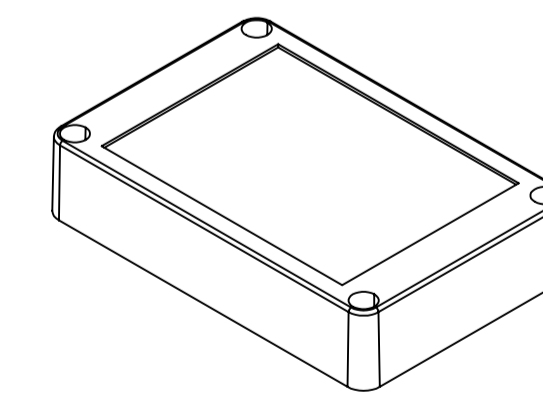
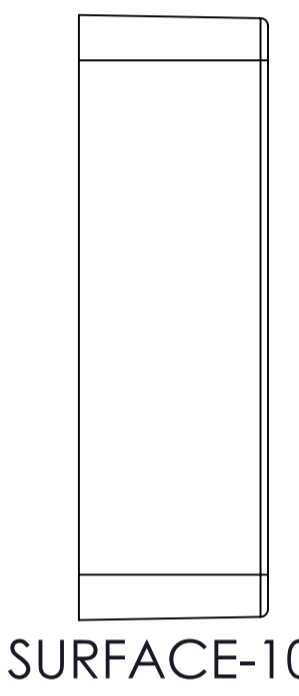
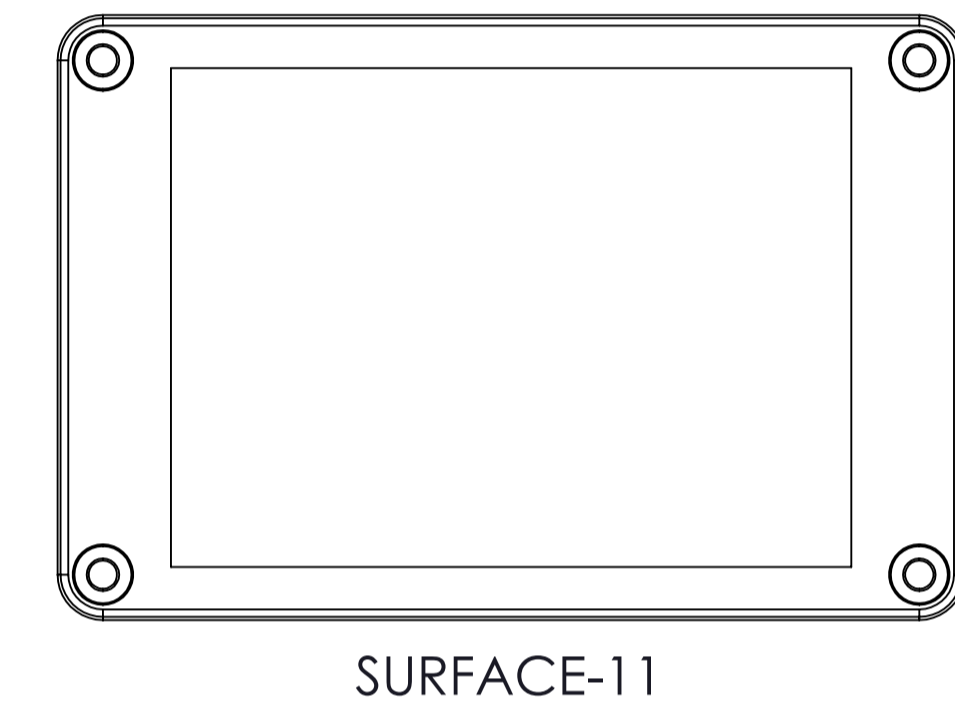
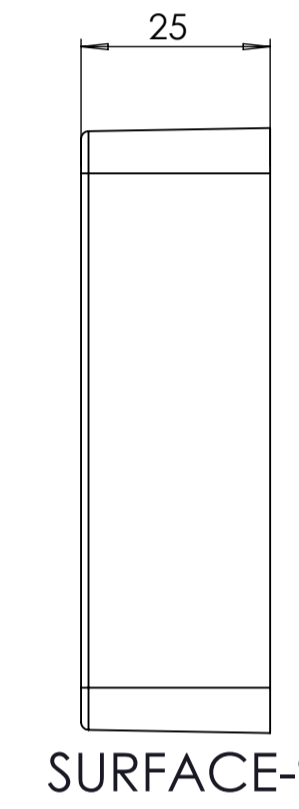



BASE: 6 SURFACE

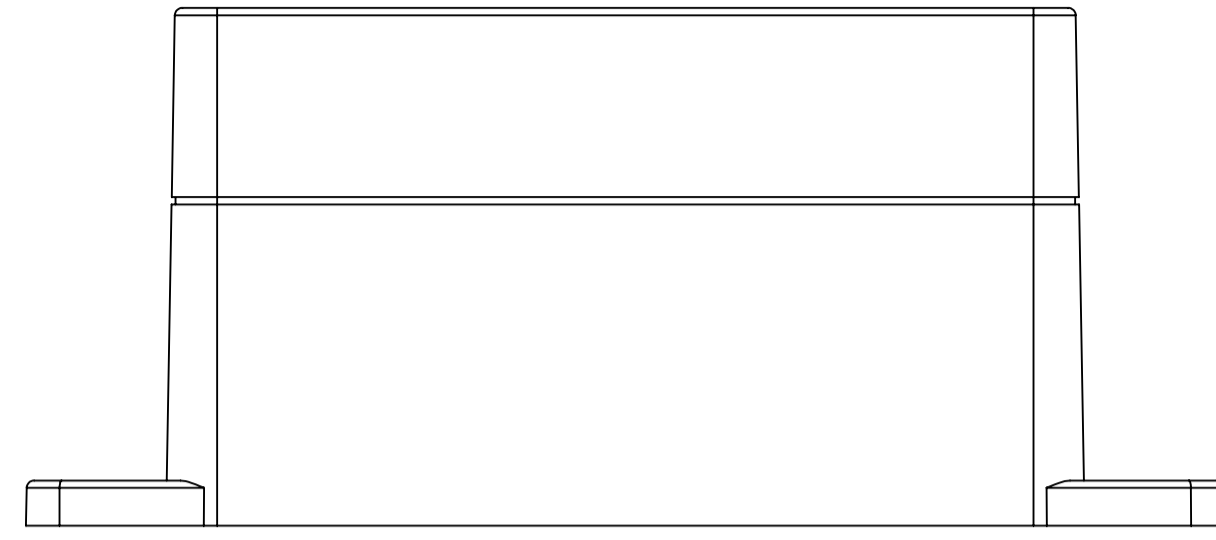


COVER: 6 SURFACE

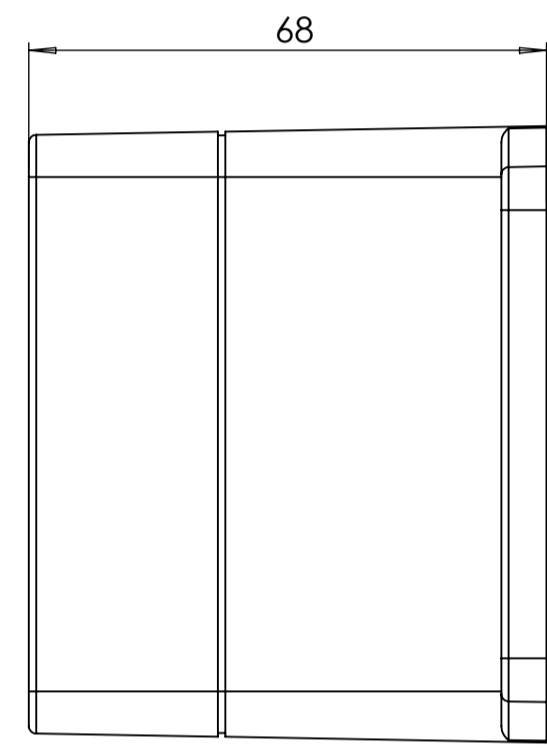
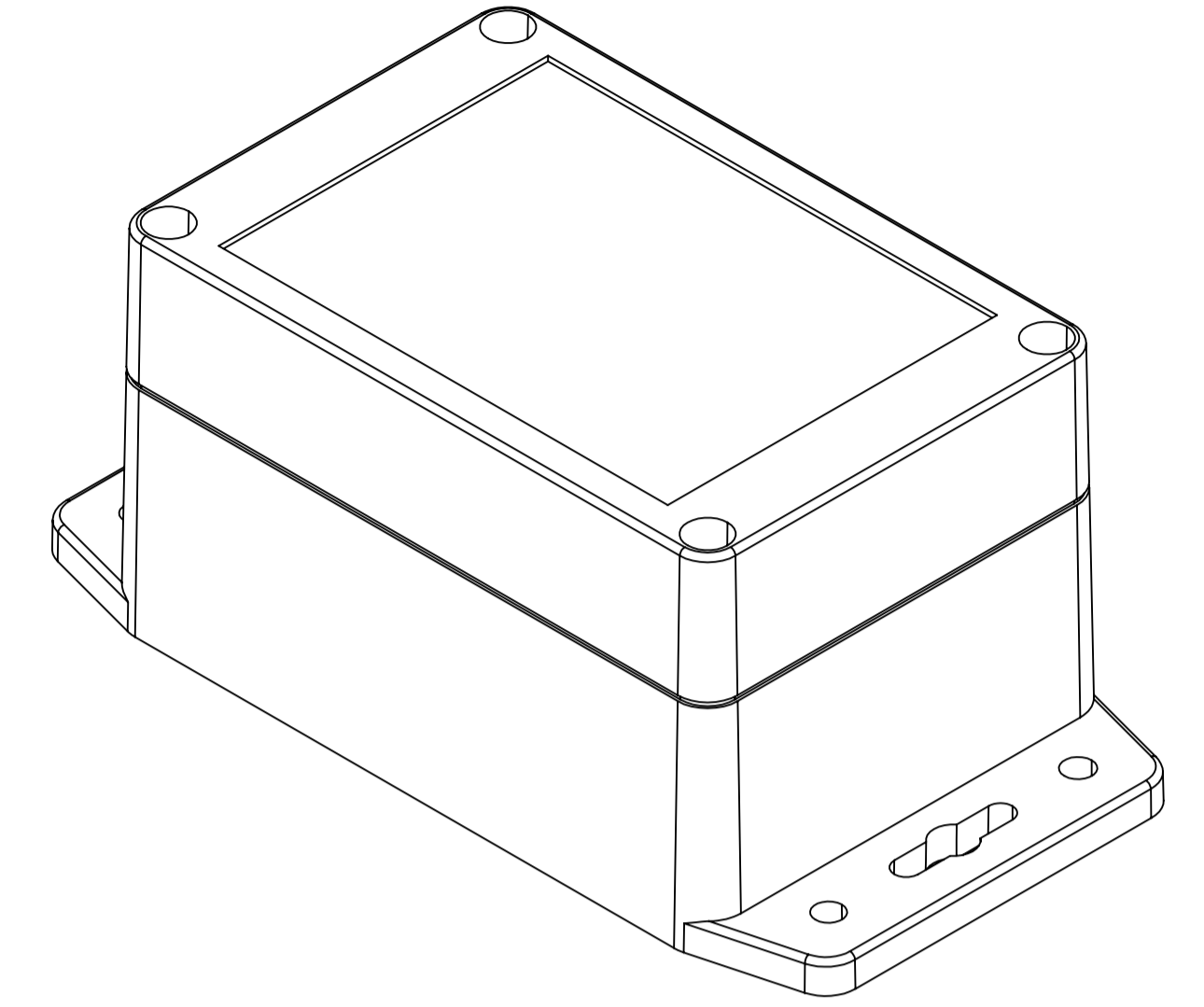


REV. NO.	DATE	REVISED BY	DESCRIPTION OF CHANGE
 ALTINKAYA Electronic Enclosures & Components			www.altinkaya.com
Customer Name:		Customer Ref.:	
Altinkaya Ref.:		Part Name: SF-215	
DRAWN	NAME	DATE	Drawn From:
CHECKED	Y. YESLOZ	4.07.2024	Material:
DIMENSIONAL TOLERANCES:			SCALE 1:1 UNIT : mm
UNLESS OTHERWISE SPECIFIED:			Dimension(mm)
(R&T) 0.1	±0.1	±0.2	±0.3
3-6mm	±0.1	±0.2	±0.5
6-30mm	±0.2	±0.3	±0.5
30-120mm	±0.3	±0.5	±0.5
120-400mm	±0.5	±0.5	±0.5
SHEET 1 OF 2			A1

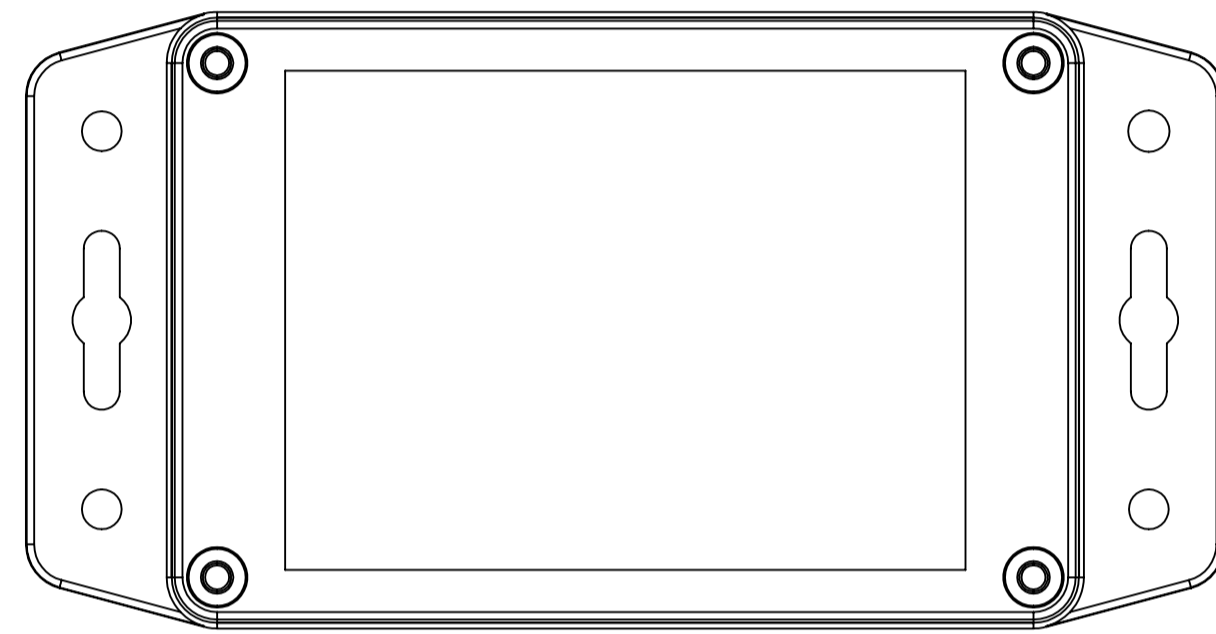
SF-215 IF MACHINED TOGETHER



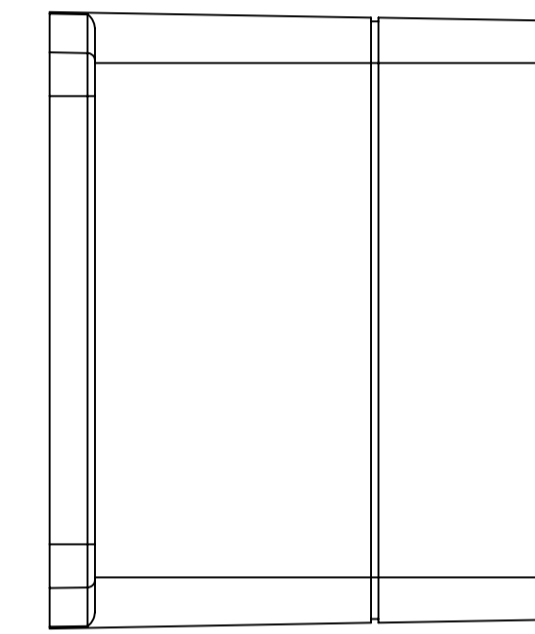
SURFACE-13



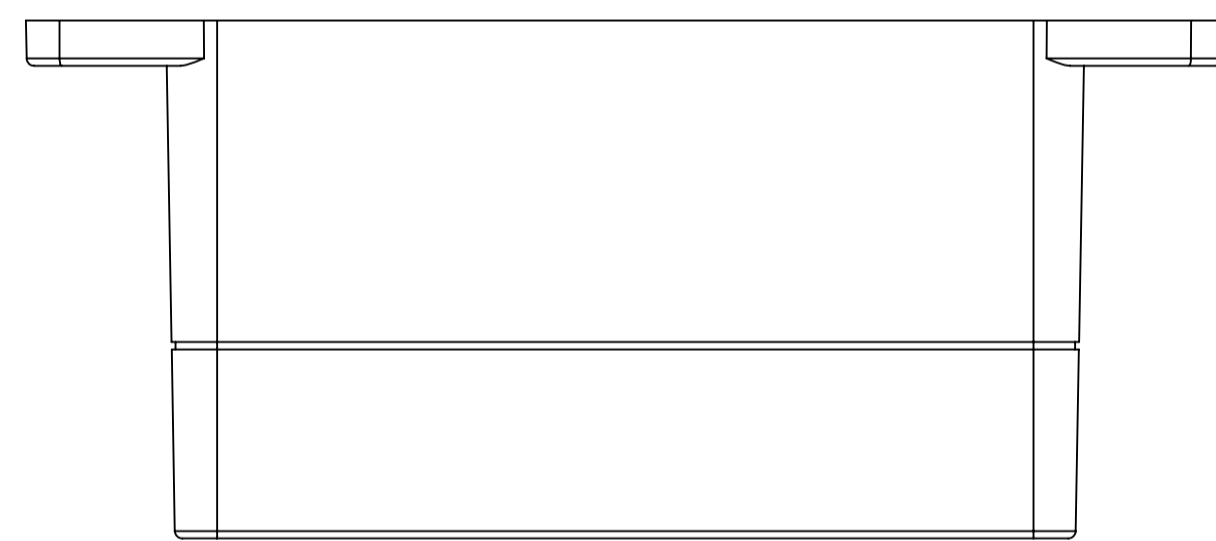
SURFACE-14



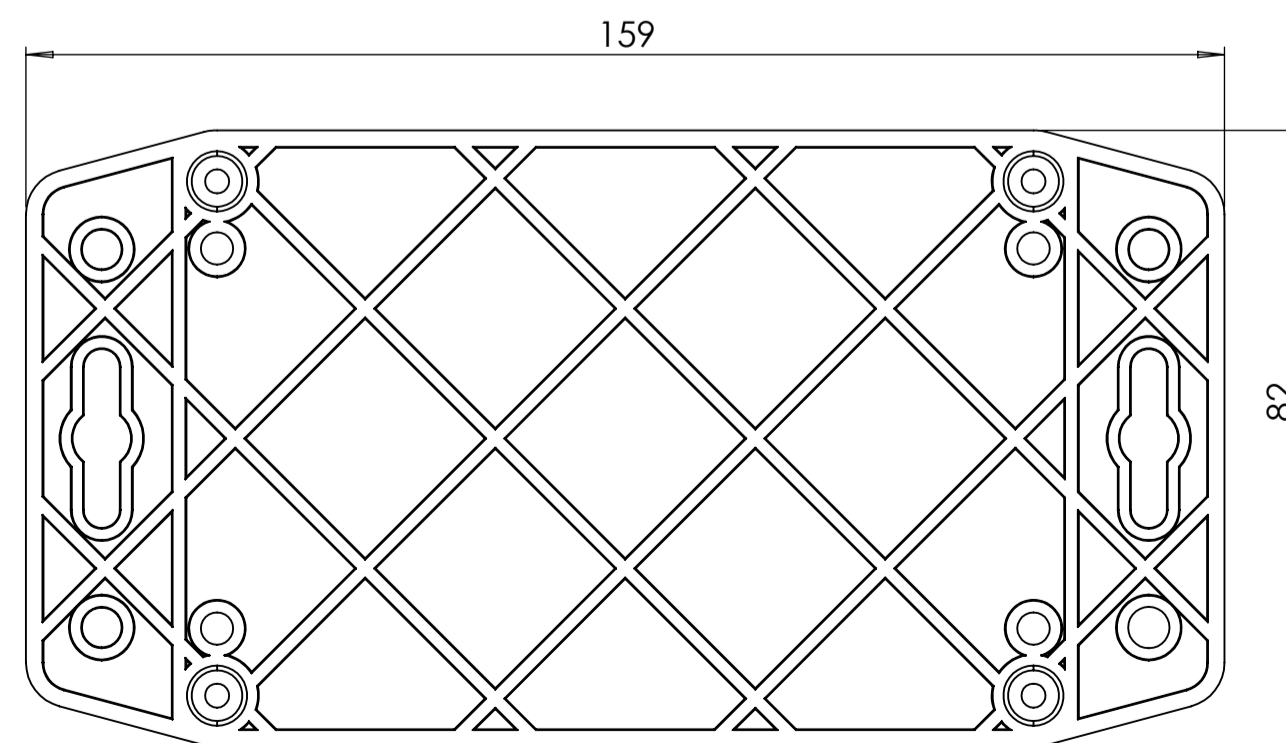
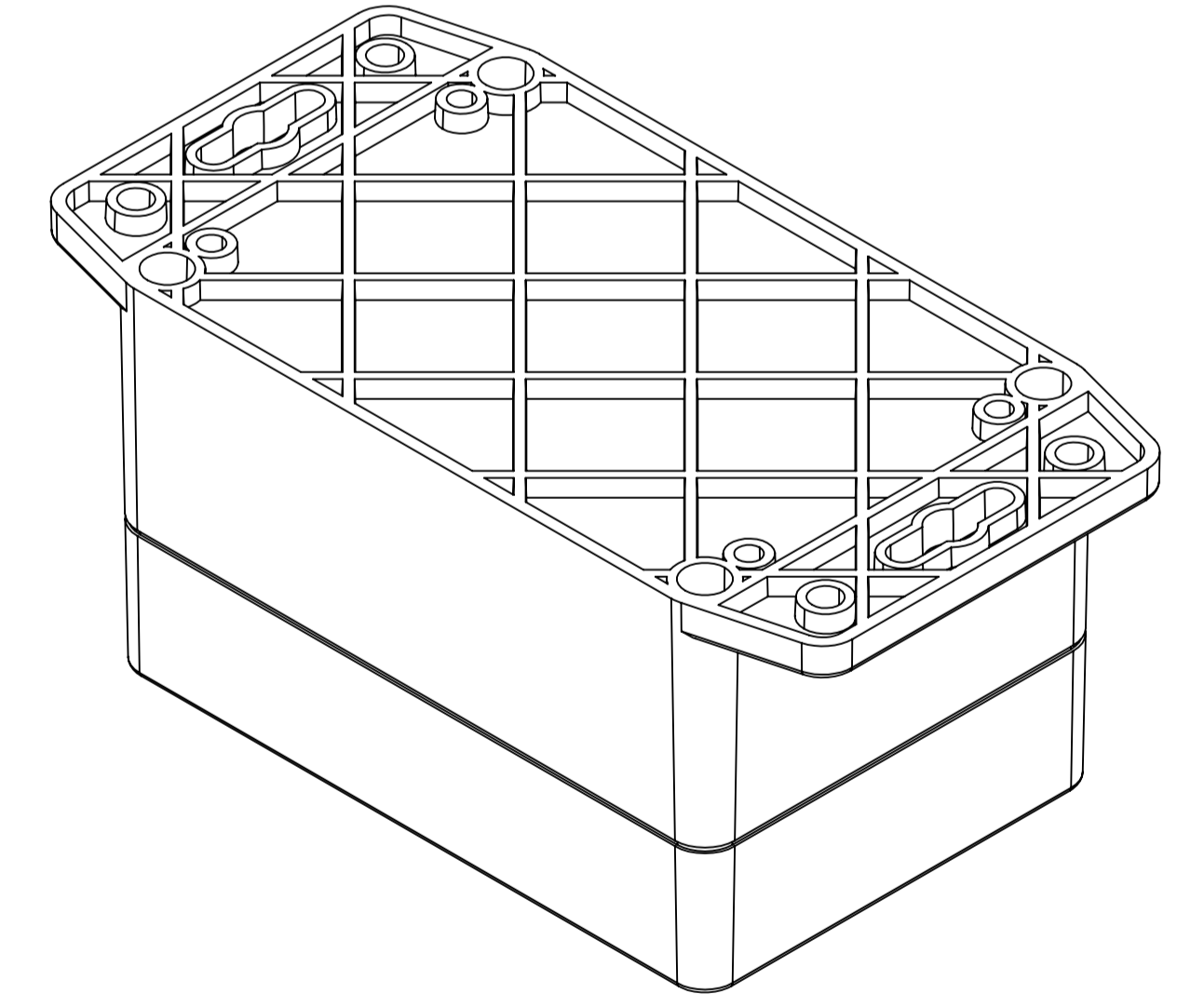
SURFACE-17




SURFACE-16



SURFACE-15



SURFACE-18

REV. NO.	DATE	REVISED BY	DESCRIPTION OF CHANGE
 ALTINKAYA Electronic Enclosures & Components			www.altinkaya.com
Customer Name:		Customer Ref.:	
Altinkaya Ref.:		Part Name: SF-215	
DRAWN	NAME	DATE	Drawn From:
CHECKED	Y. YESLOZ	4.07.2024	Material:
Dimensional Tolerances:			Weight:
UNLESS OTHERWISE SPECIFIED:			SCALE 1:1 UNIT : mm
(R&T)±0.1	±0.1	±0.2	±0.3
3-6mm	6-30mm	30-120mm	120-400mm
Dimension(mm)			mm(medium)
SHEET 2 OF 2			A1