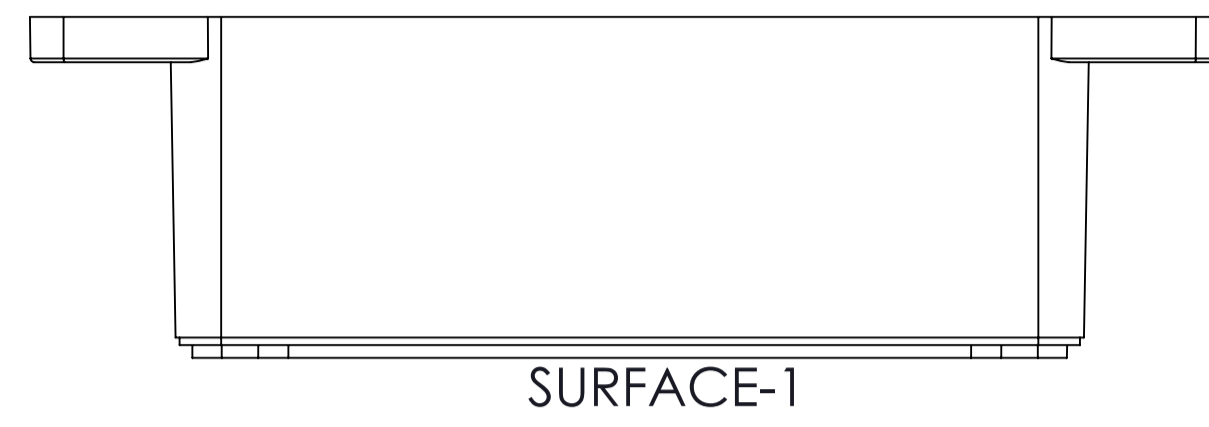
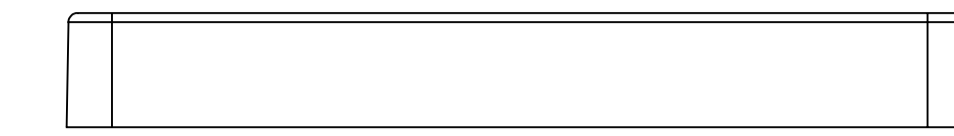


BASE: 6 SURFACE

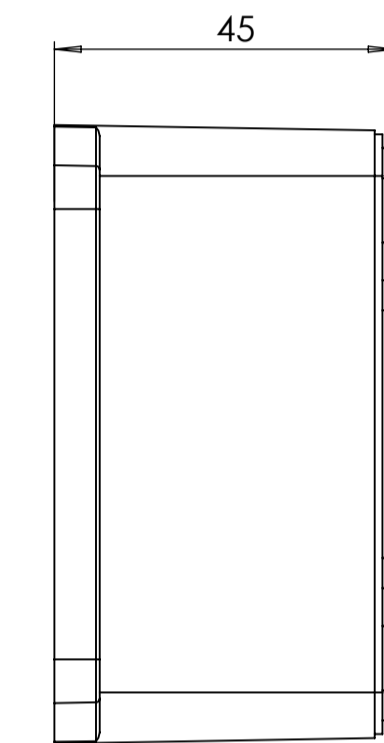
COVER: 6 SURFACE



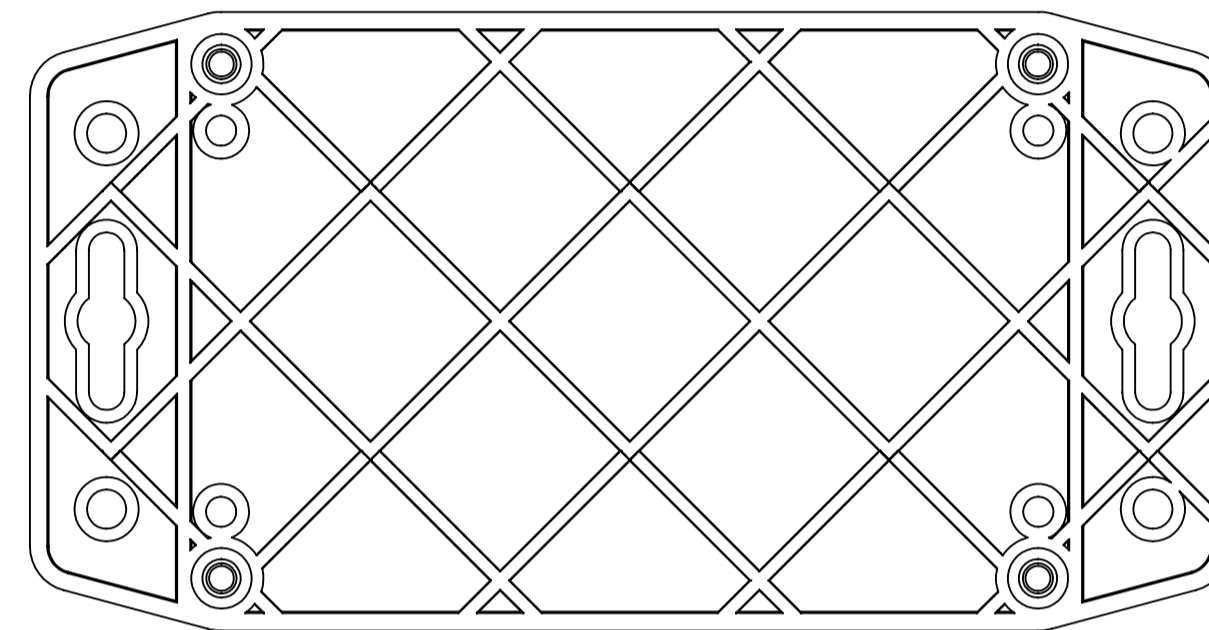
SURFACE-1



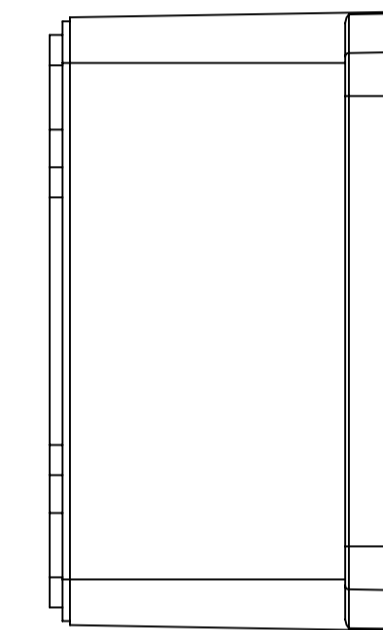
SURFACE-7



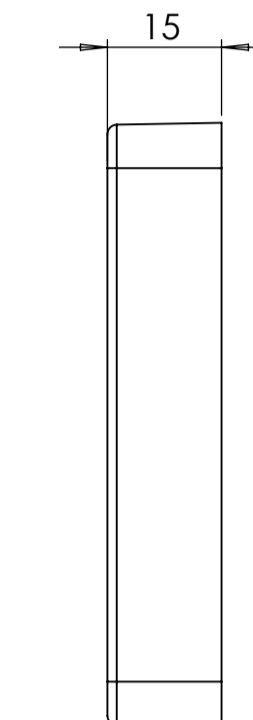
SURFACE-3



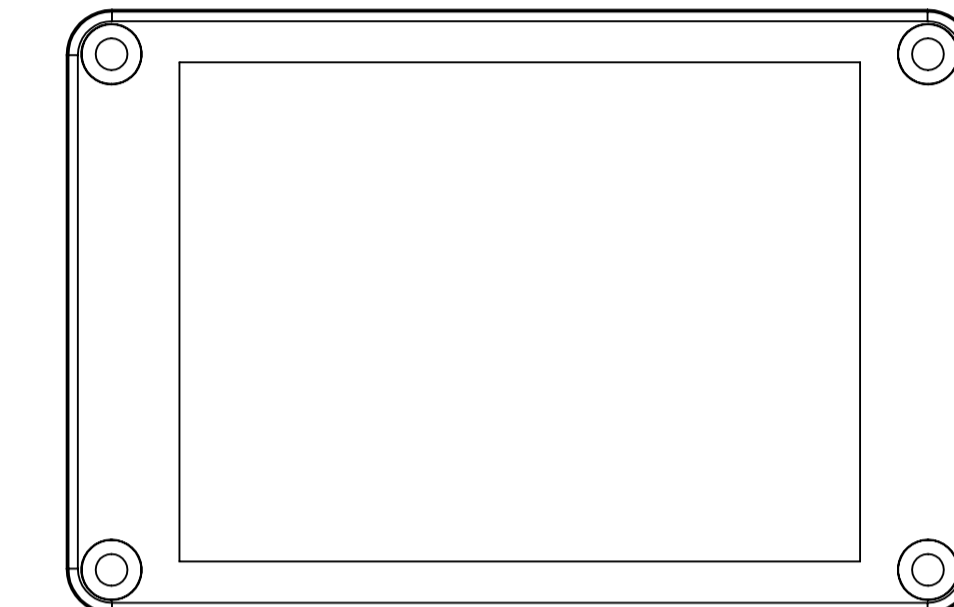
SURFACE-5



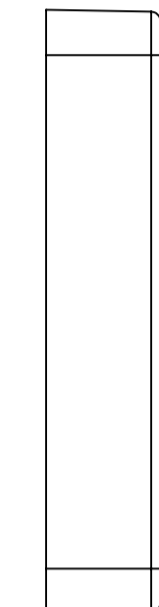
SURFACE-4



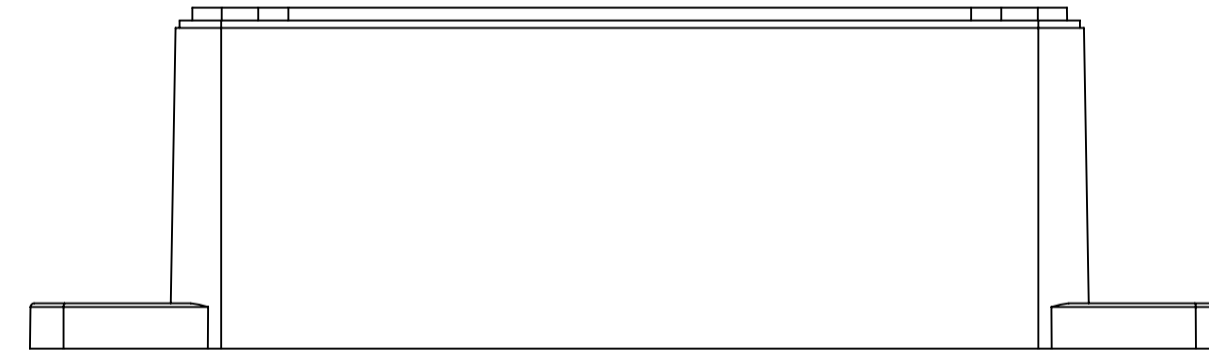
SURFACE-9



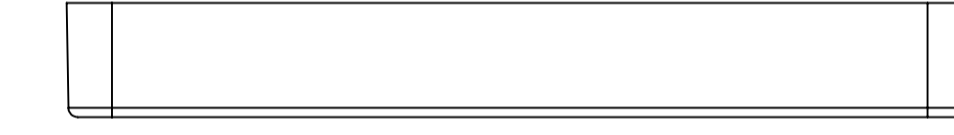
SURFACE-11



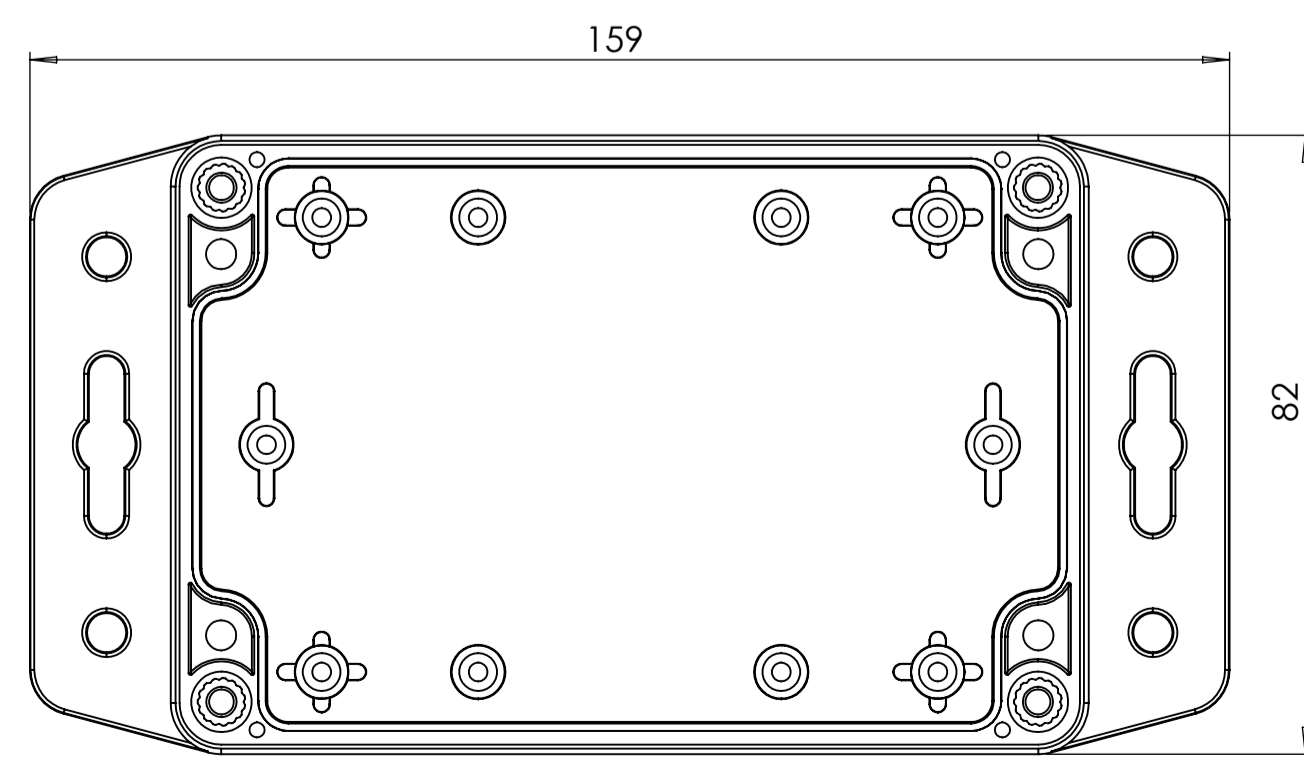
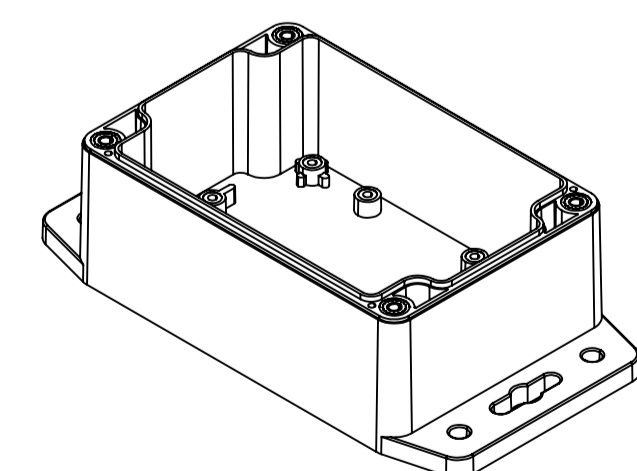
SURFACE-10



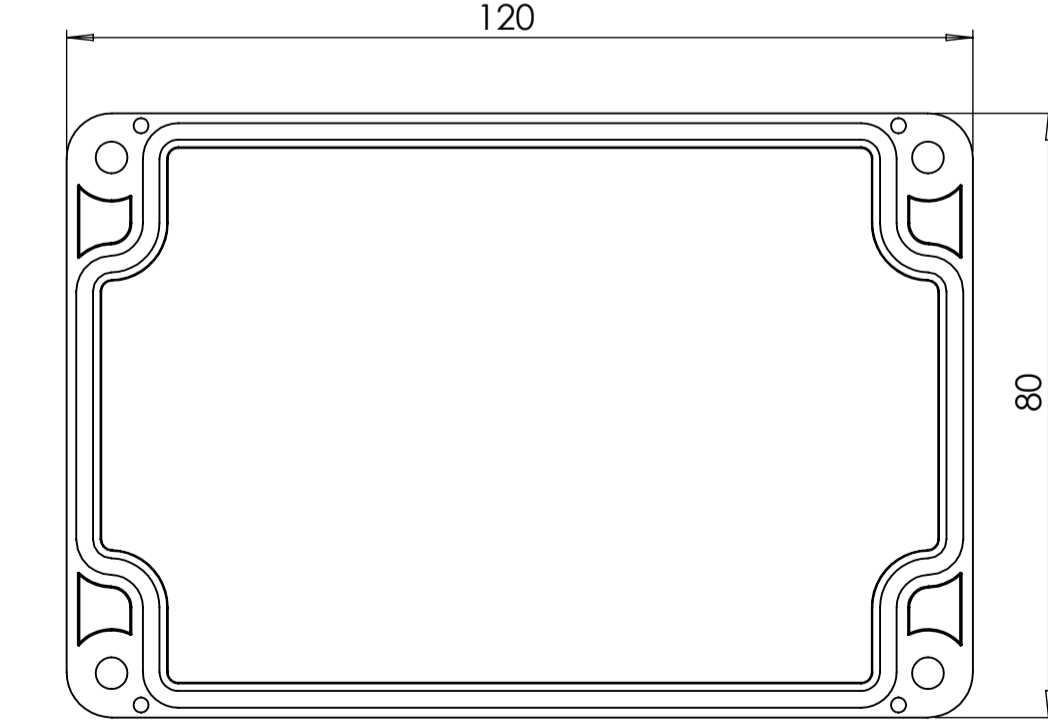
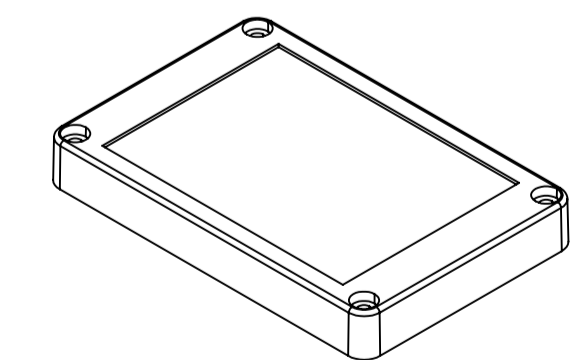
SURFACE-2



SURFACE-8



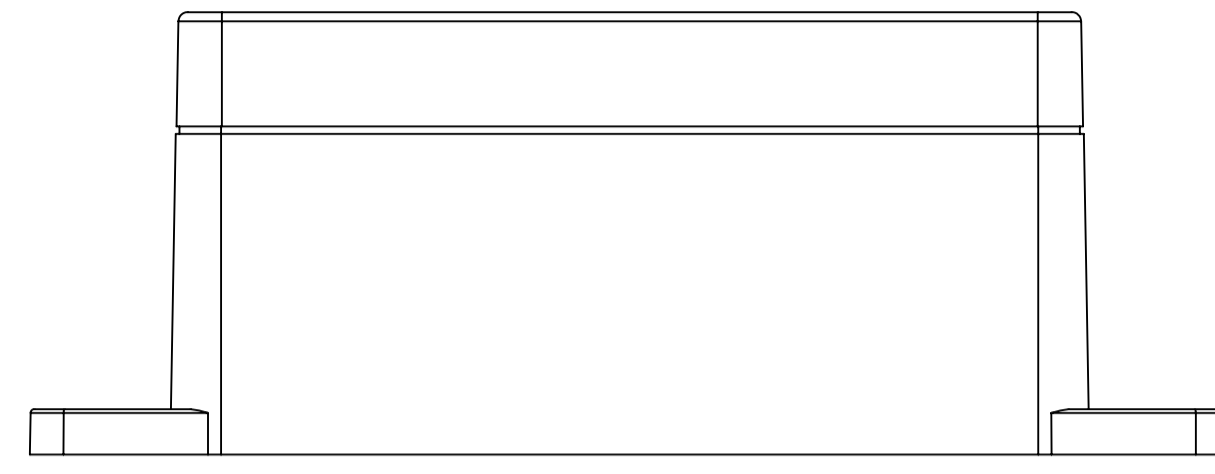
SURFACE-6 (INSIDE)



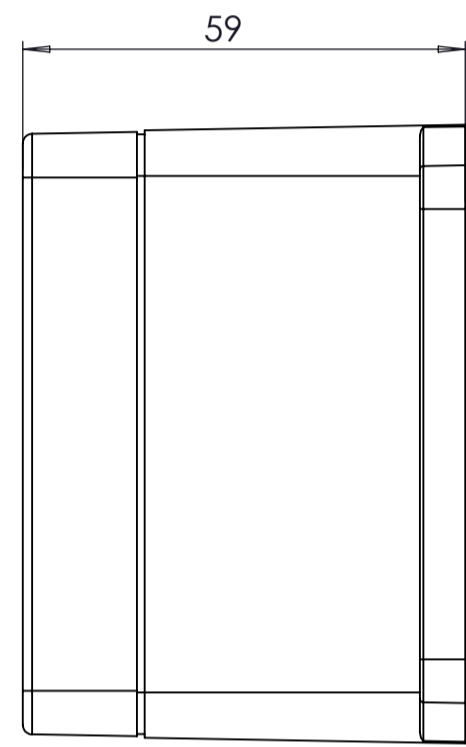
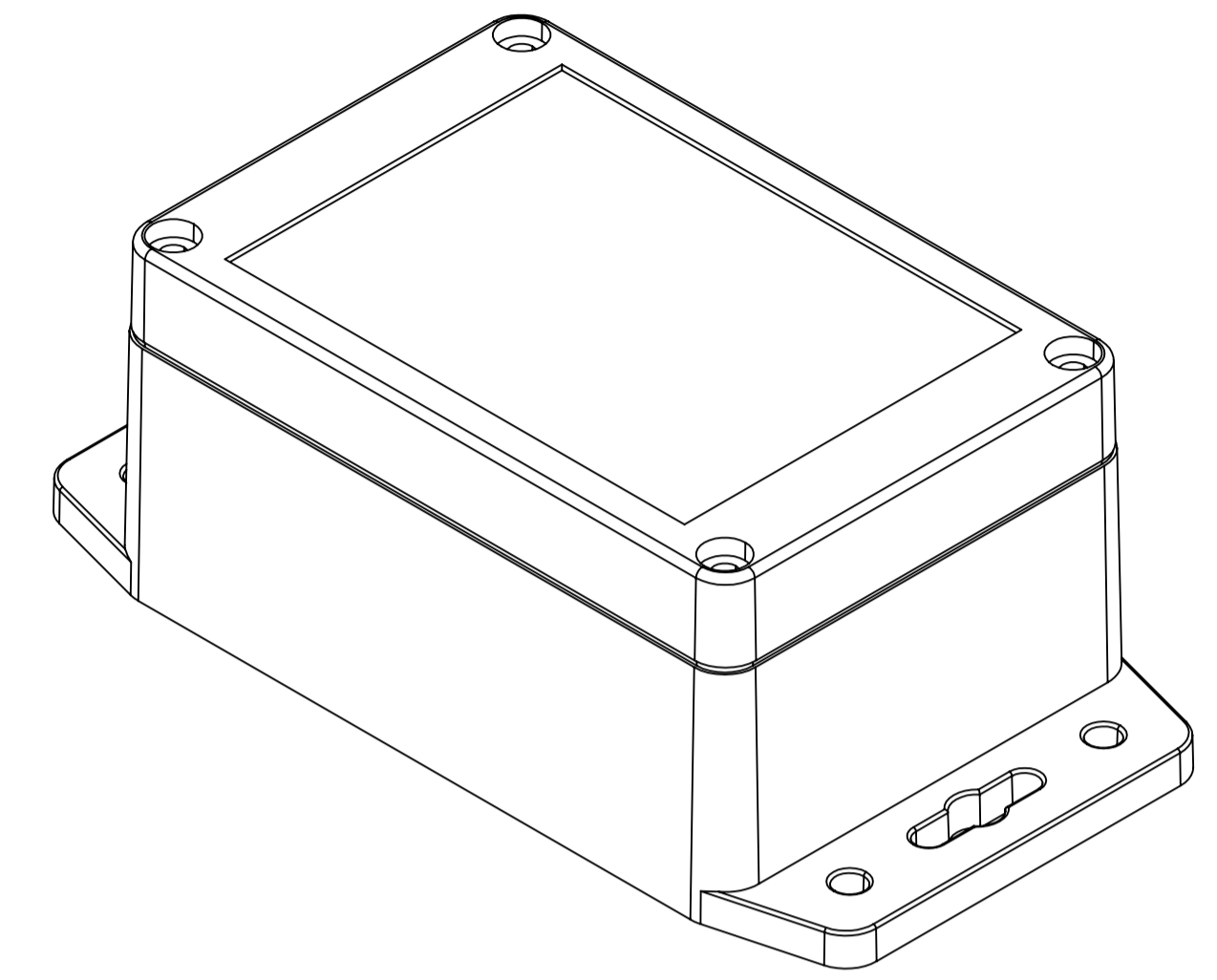
SURFACE-12 (INSIDE)

REV. NO.	DATE	REVISED BY	DESCRIPTION OF CHANGE
ALTINKAYA Electronic Enclosures & Components www.altinkaya.com			
Customer Name:		Customer Ref.:	
Altinkaya Ref.:		Part Name: SF-214-0-0	
DRAWN	NAME	DATE	Drawn From:
CHECKED	Y.YEL	4.07.2024	Material:
DIMENSIONAL TOLERANCES UNLESS OTHERWISE SPECIFIED:		Weight:	SCALE 1:1 UNIT : mm
	±0.1	±0.1	±0.2
	±0.3	±0.3	±0.5
			Dimension(mm) m(medium)
			120-400mm
			30-120mm
			6-30mm
			3-6mm
			0.5-3mm

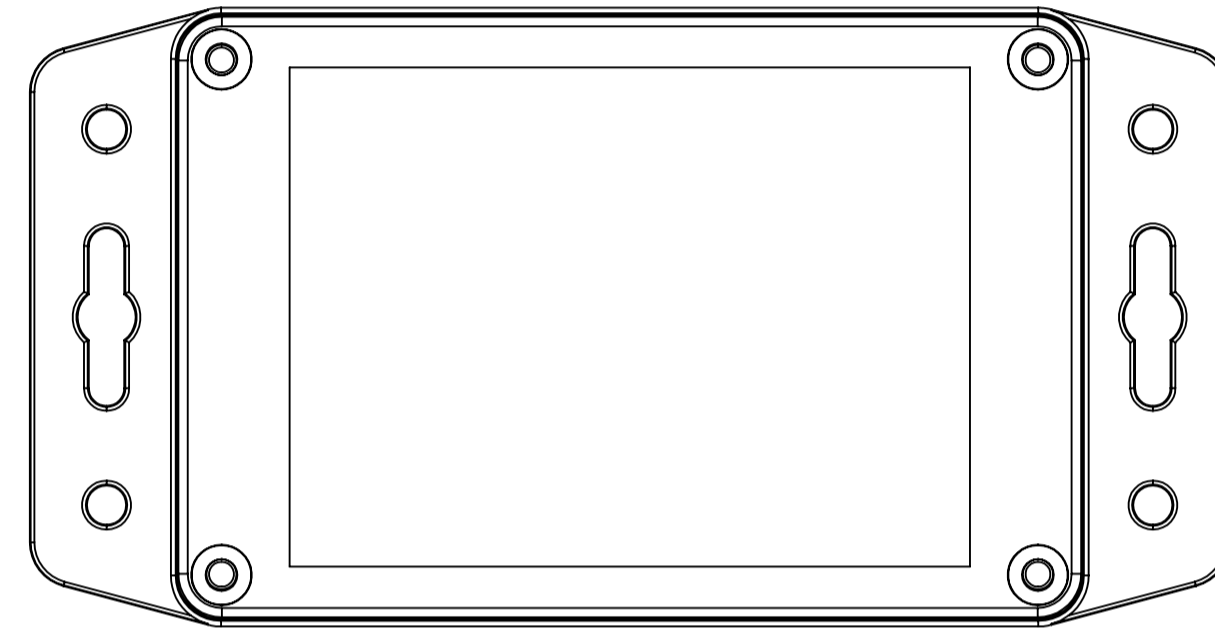
SF-214 IF MACHINED TOGETHER



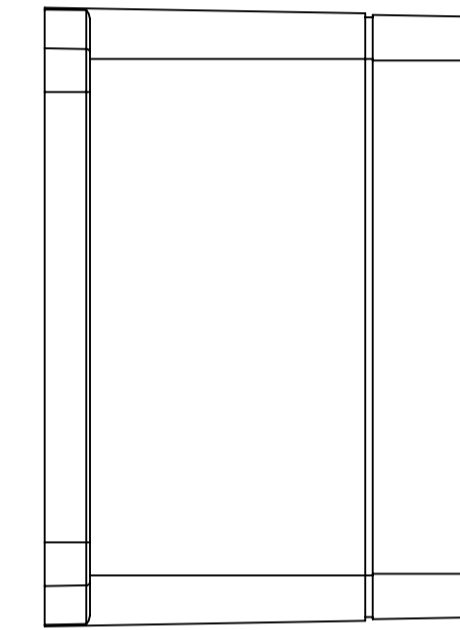
SURFACE-13



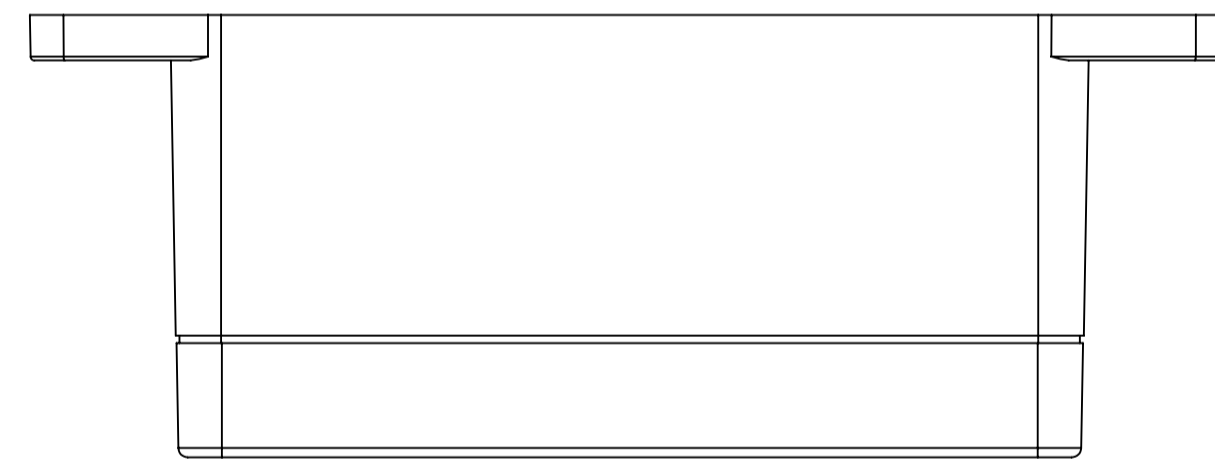
SURFACE-15



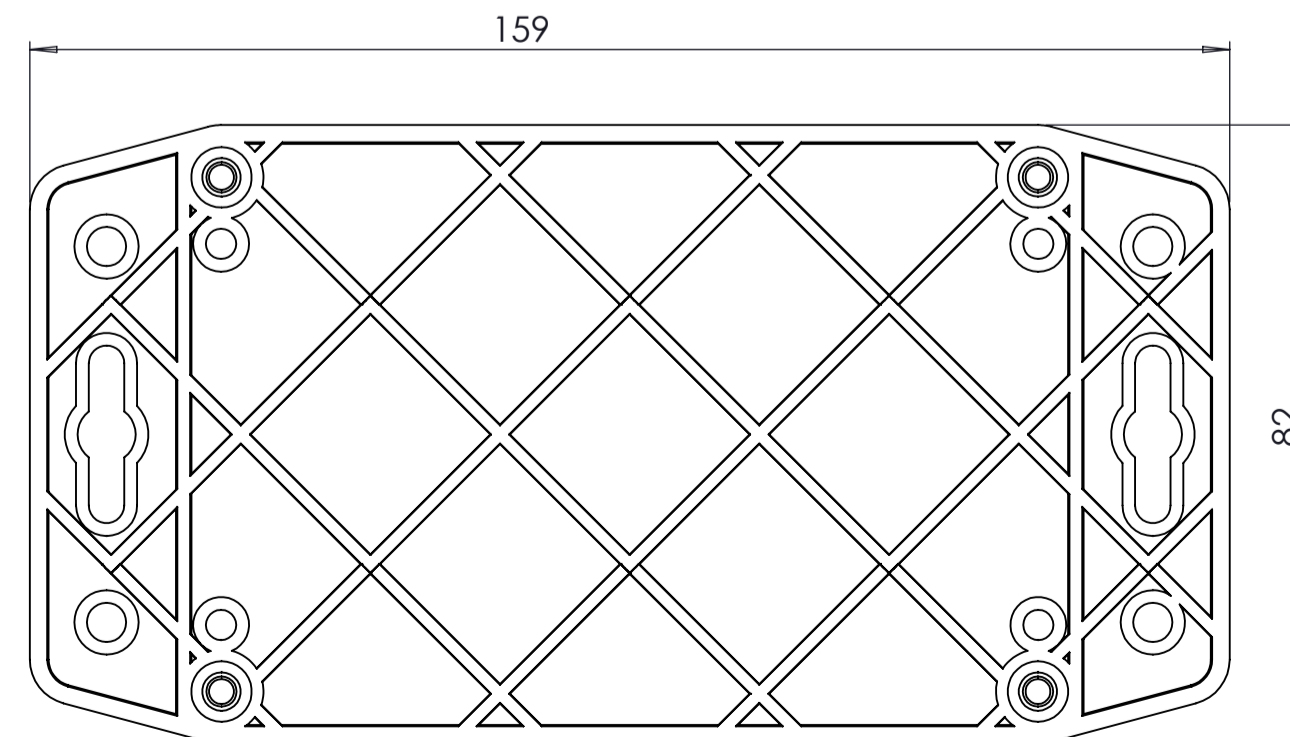
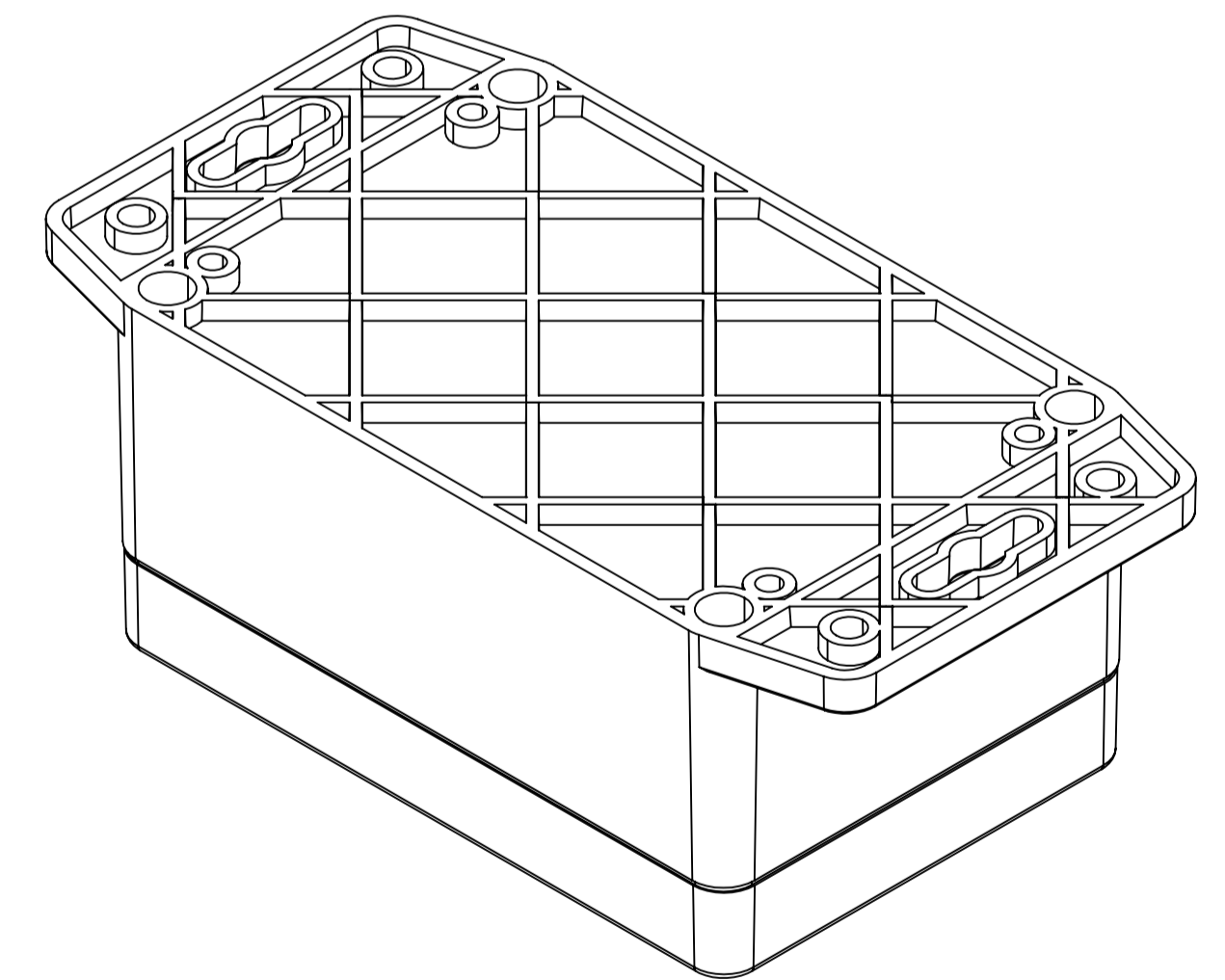
SURFACE-17



SURFACE-16



SURFACE-14



SURFACE-18

REV. NO.	DATE	REVISED BY	DESCRIPTION OF CHANGE
			www.altinkaya.com
Customer Name:		Customer Ref.:	
Altinkaya Ref.:		Part Name: SF-214-0-0	
DRAWN	NAME	DATE	Drawn From:
CHECKED	Y. YESLOZ	4.07.2024	Material:
DIMENSIONAL TOLERANCES UNLESS OTHERWISE SPECIFIED:			Weight:
(mm)	±0.1	±0.1	±0.2
	±0.1	±0.2	±0.3
			±0.5
SCALE 1:1			UNIT : mm
Dimension(mm)			Dimension(mm)
m(medium)			m(medium)
SHEET 2 OF 2			A1