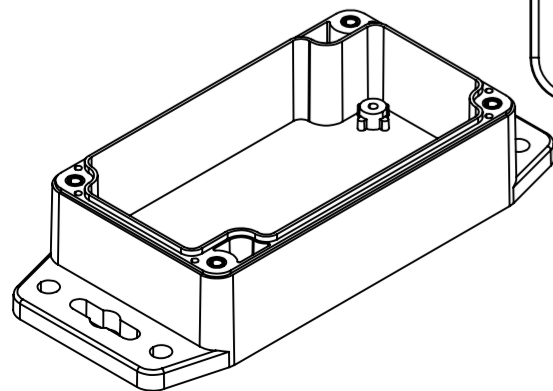
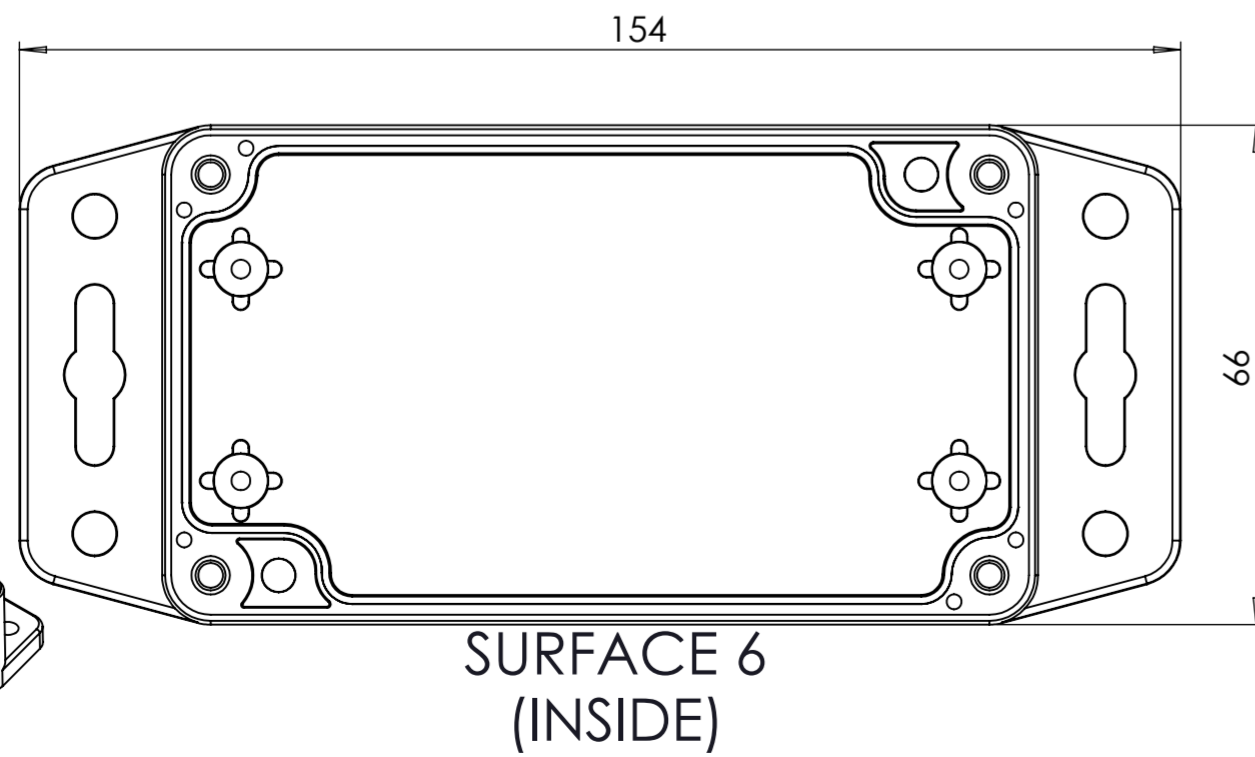
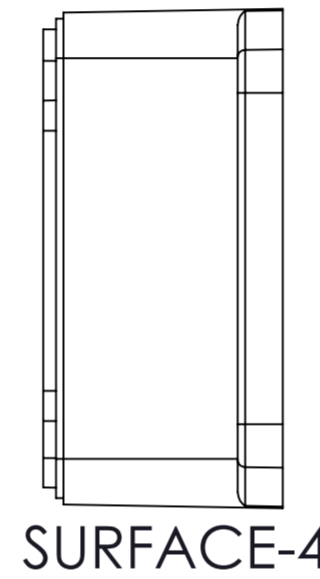
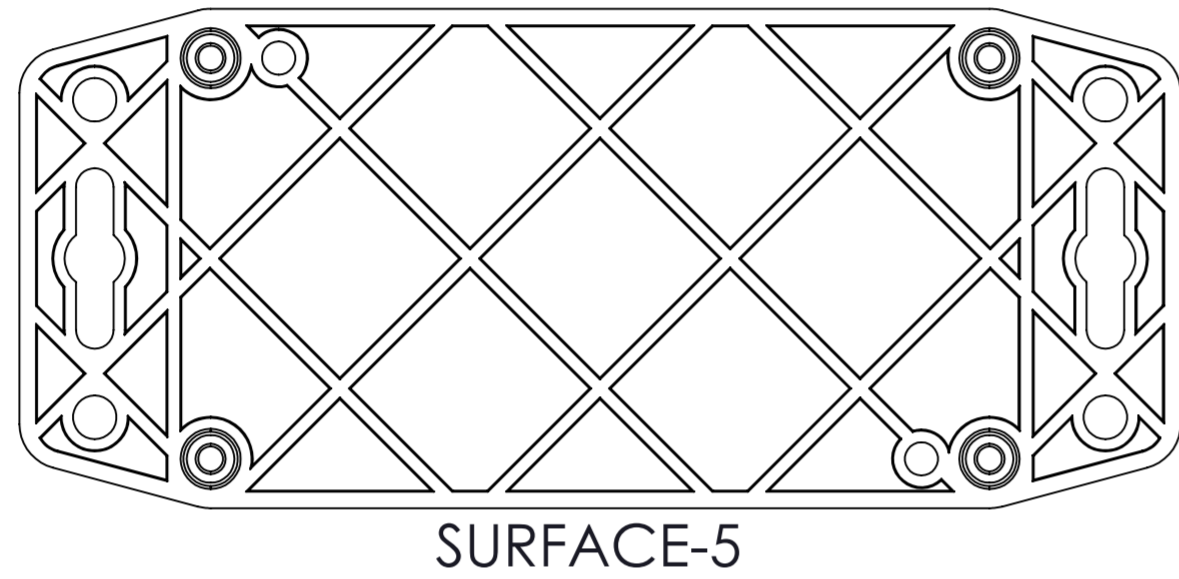
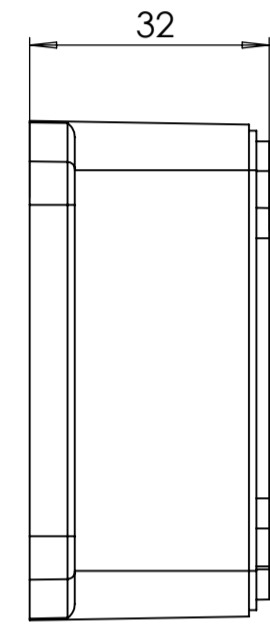
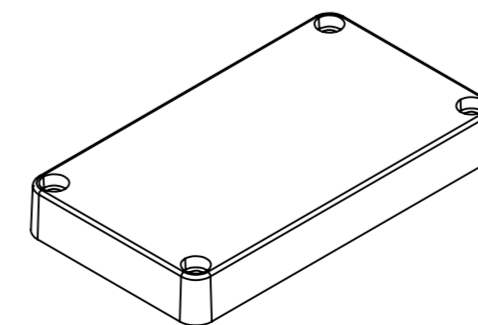
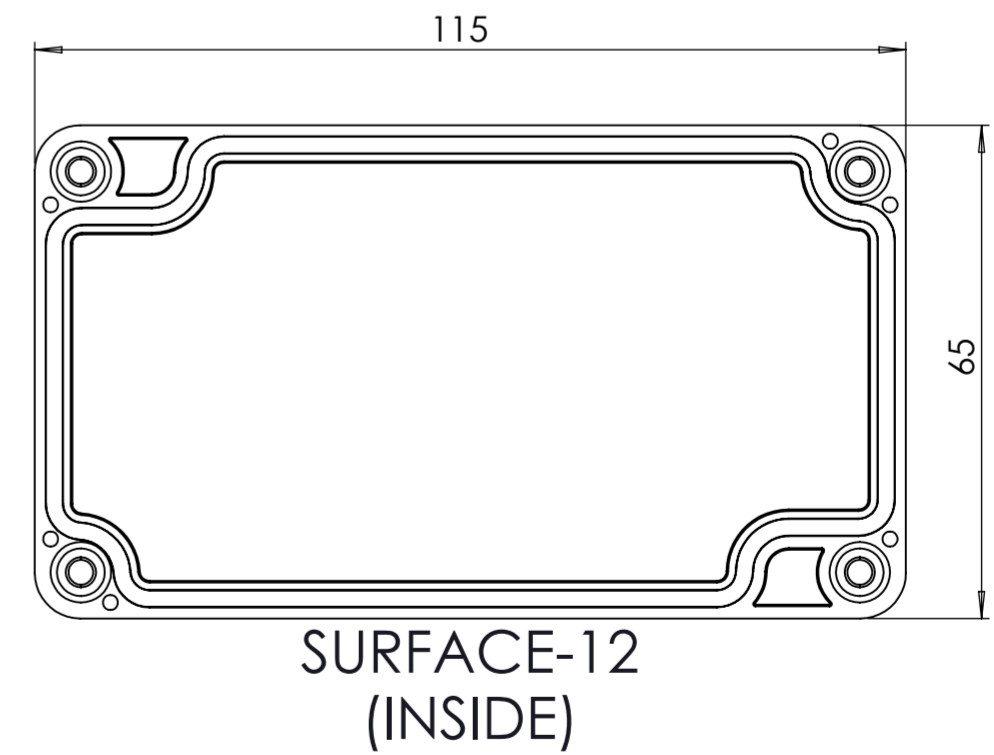
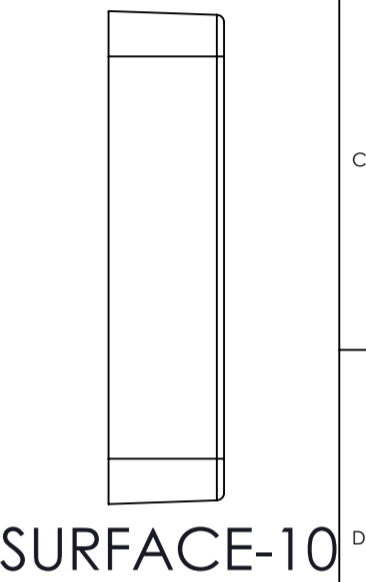
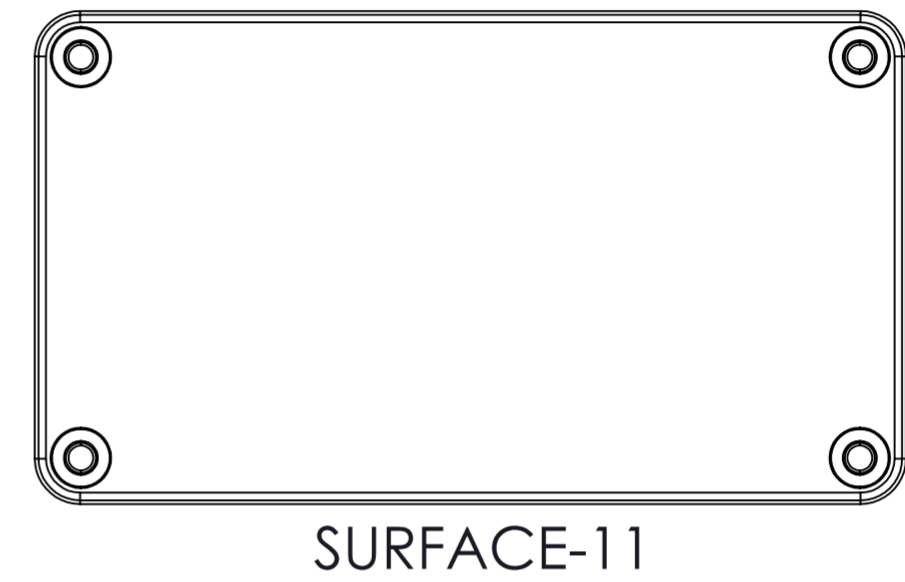
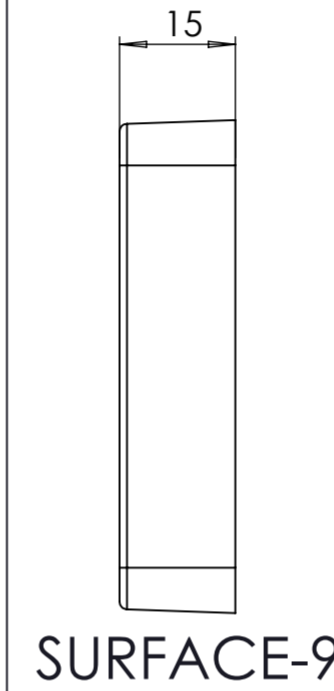



**BASE: 6 SURFACE**



**COVER: 6 SURFACE**

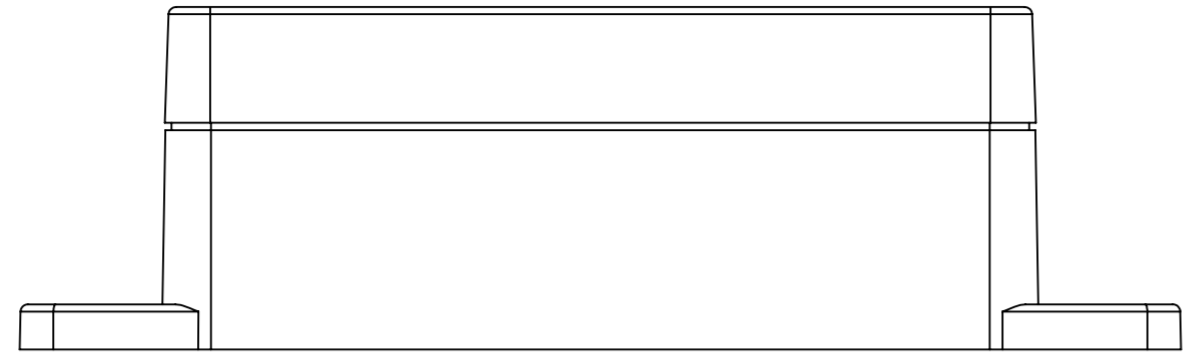


| REV. NO  | DATE       | REVISED BY            | DESCRIPTION OF CHANGE                                    |
|--|------------|-----------------------|--|
|  <b>ALTINKAYA</b><br>Electronic Enclosures & Components |            |                       | <a href="http://www.altinkaya.com">www.altinkaya.com</a> |
| Customer Name:   |            | Customer Ref.:        |  |
| Altinkaya Ref.:  |            | Part Name: SF-210-0-0 |  |
| DRAWN  | NAME       | DATE                  | Drawn From:  |
|  | S.YESIL OZ | 4.07.2024             |  |
| CHECKED  | Y.YEL      | 4.07.2024             | Material:  |
| DIMENSIONAL TOLERANCES UNLESS OTHERWISE SPECIFIED (DIN 7148)   |            |                       | Weight:  |
|  | ±0.1       | ±0.1                  | ±0.2   |
|  |            | ±0.3                  | ±0.5   |
|  |            |                       | mm (medium)  |

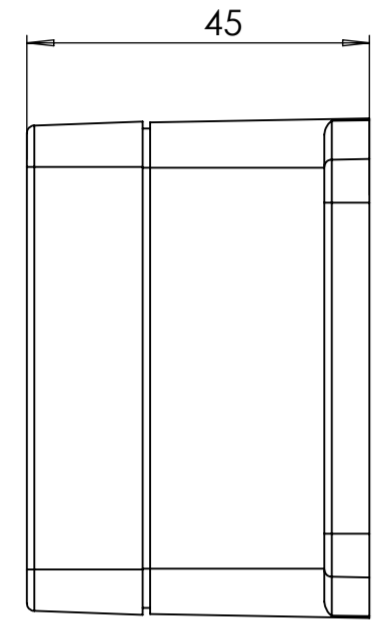
SCALE: 1:1

SHEET 1 OF 2

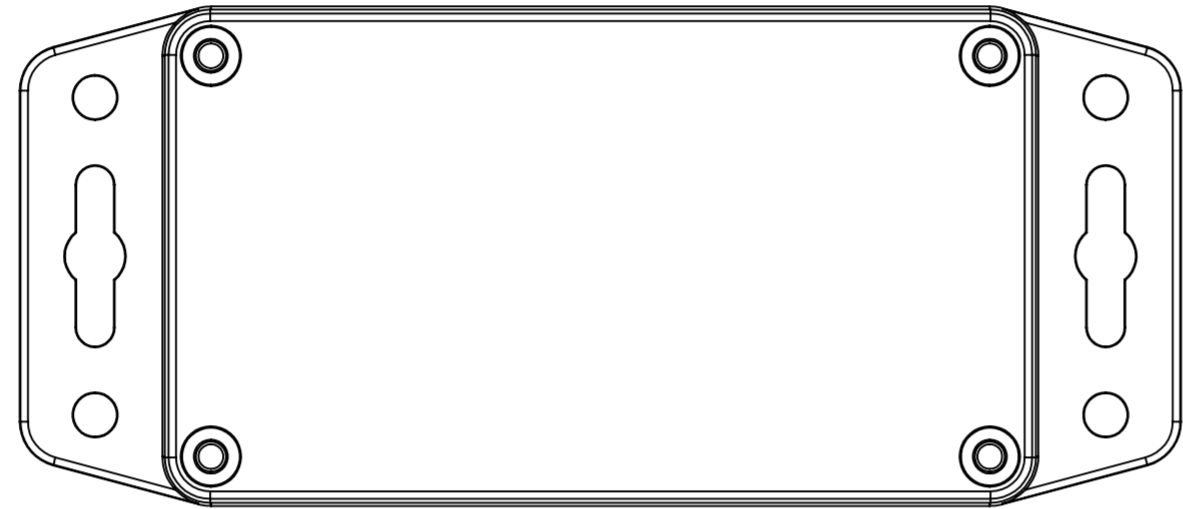
# SF-210 IF MACHINED TOGETHER



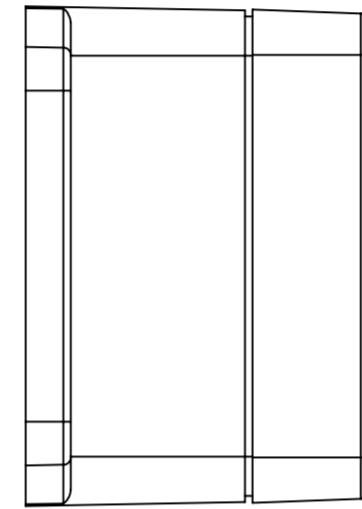
SURFACE-13



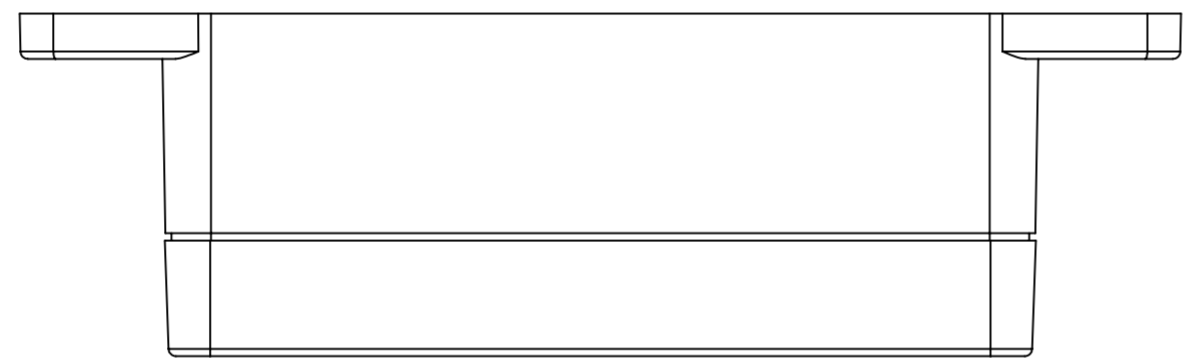
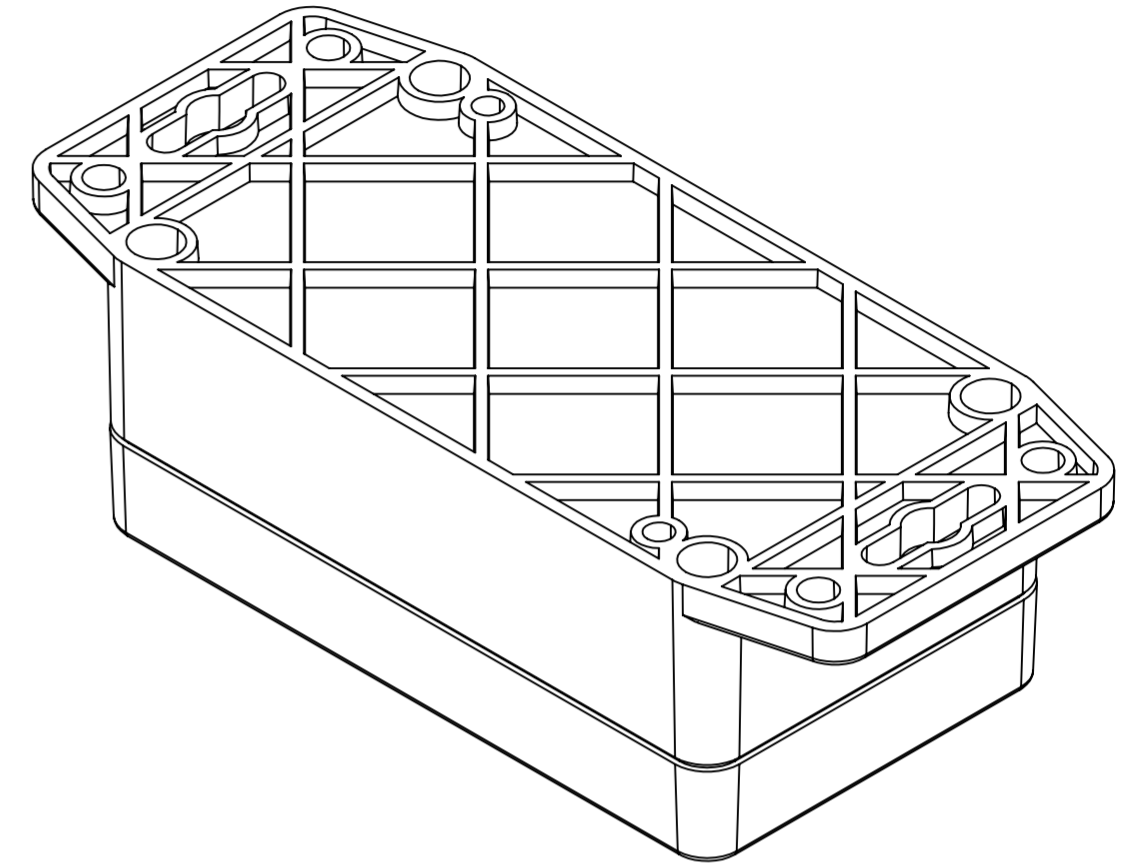
SURFACE-15



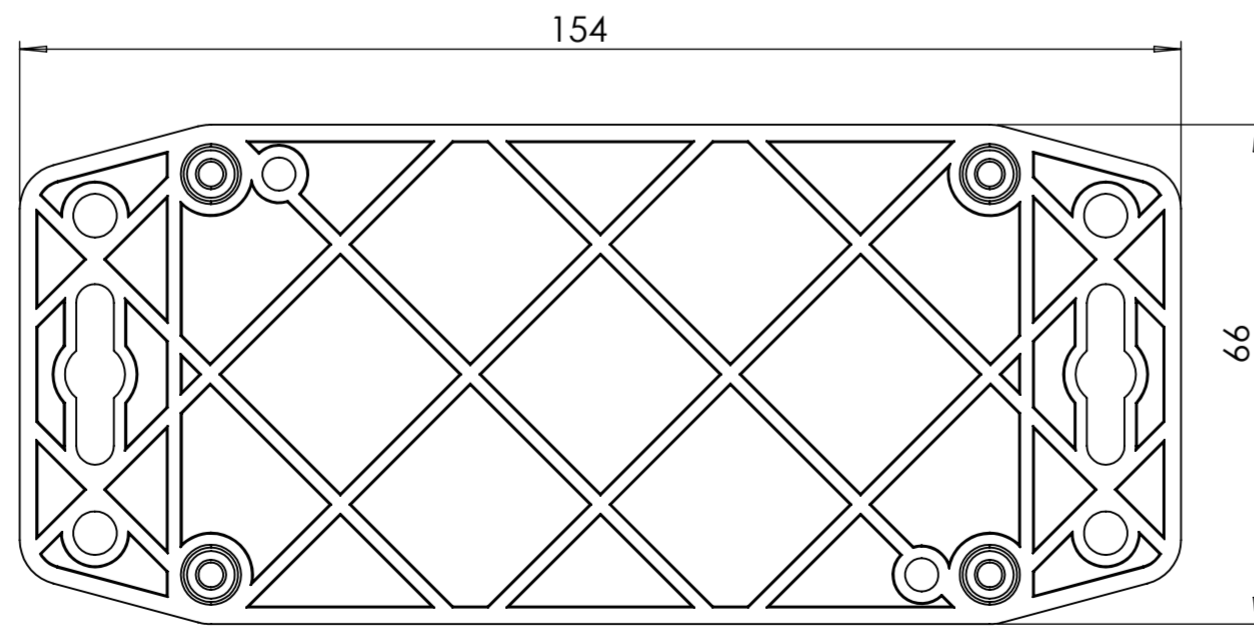
SURFACE-17



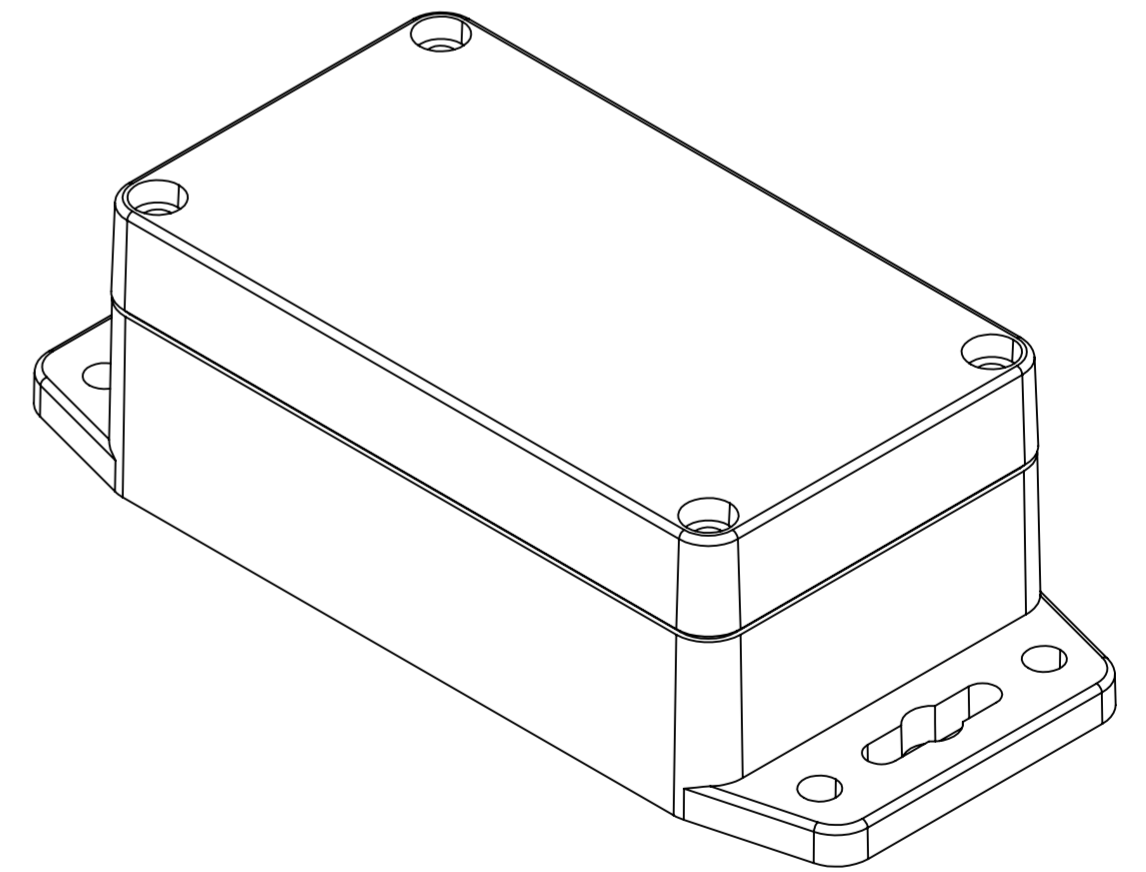
SURFACE-16



SURFACE-14



SURFACE-18



| REV. NO  | DATE       | REVISED BY   | DESCRIPTION OF CHANGE |
|--|------------|--|-----------------------|
| <b>ALTINKAYA</b><br>Electronic Enclosures & Components       |            | <a href="http://www.altinkaya.com">www.altinkaya.com</a> |                       |
| Customer Name:   |            | Customer Ref.:   |                       |
| Altinkaya Ref.:  |            | Part Name: SF-210-0-0                                    |                       |
| DRAWN  | NAME       | DATE   | Drawn From:           |
| Y.YEL  | S.YESIL OZ | 4.07.2024  | Material:             |
| CHECKED  | Y.YEL      | 4.07.2024  | Weight:               |
| DIMENSIONAL TOLERANCES UNLESS OTHERWISE SPECIFIED (DIN 7148) |            |  |                       |
|  | 0,5-3mm    | 3-6mm  | 6-30mm                |
|  | ±0,1       | ±0,1   | ±0,2                  |
|  |            | ±0,3   | ±0,5                  |
|  |            |  | mm (medium)           |

SCALE: 1:1

SHEET 2 OF 2