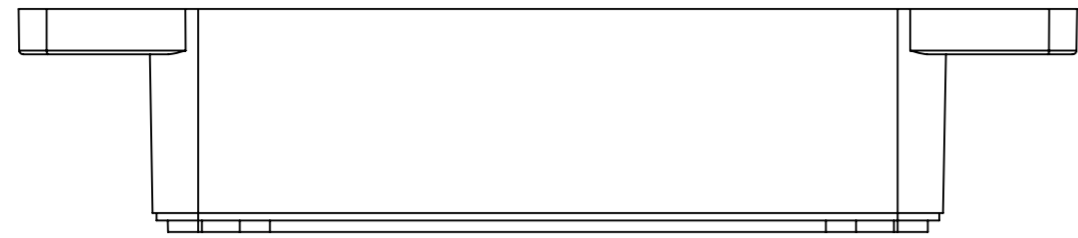
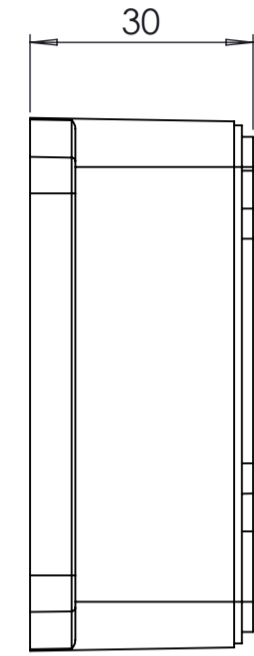


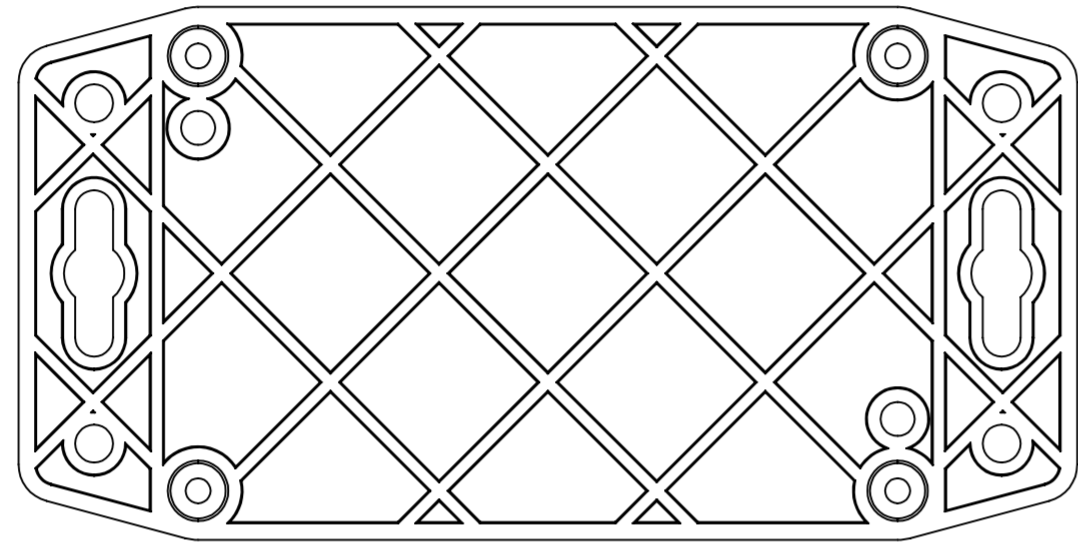
BASE: 6 SURFACE



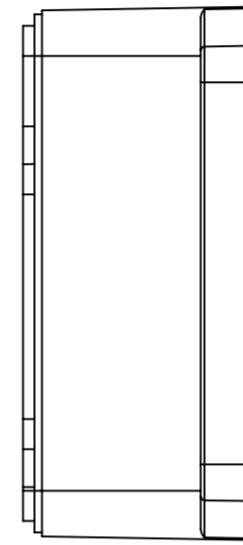
SURFACE-1



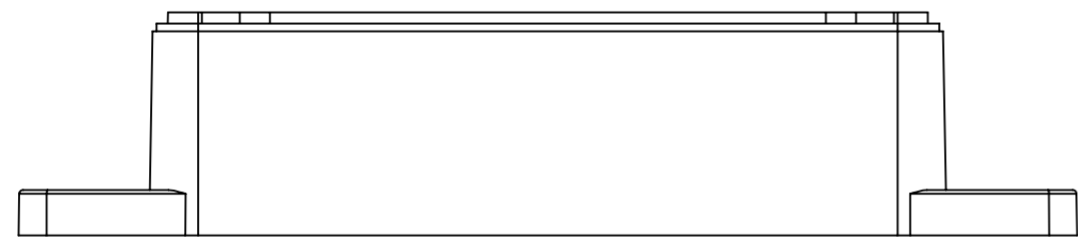
SURFACE-3



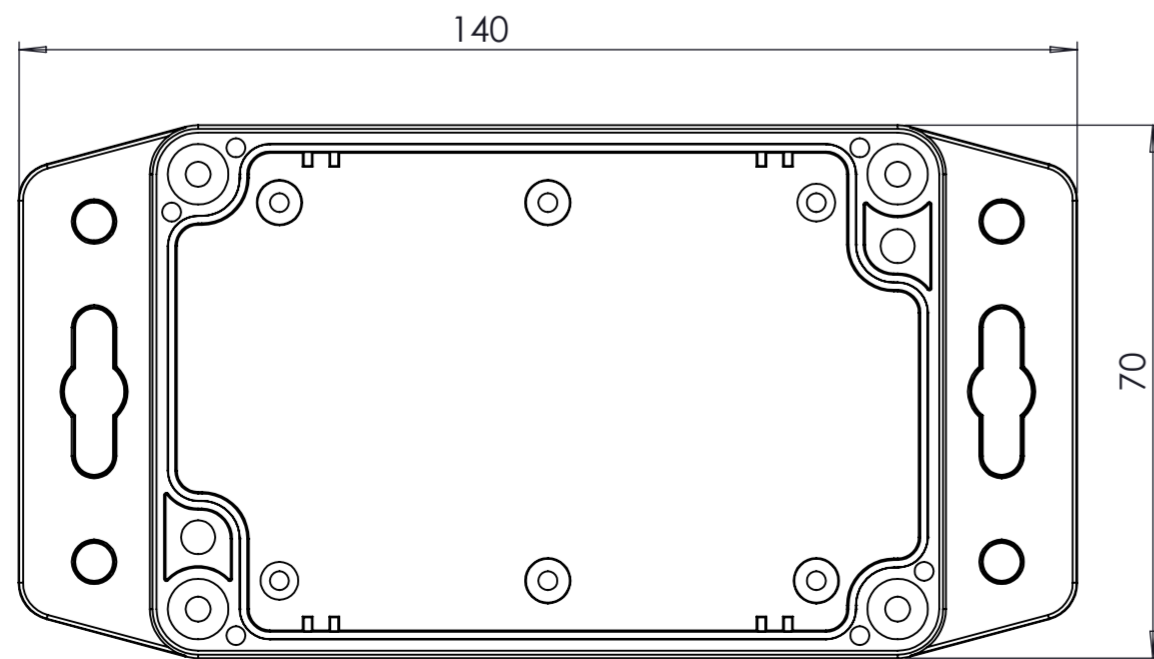
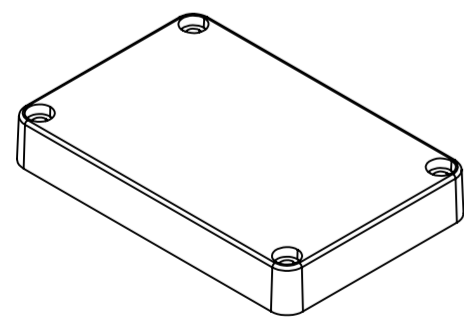
SURFACE-5



SURFACE-4

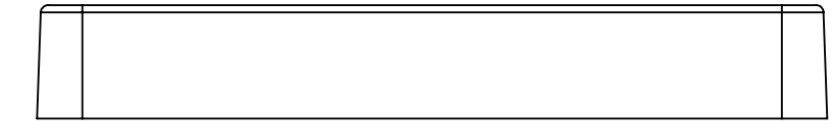


SURFACE-2



SURFACE-6 (INSIDE)

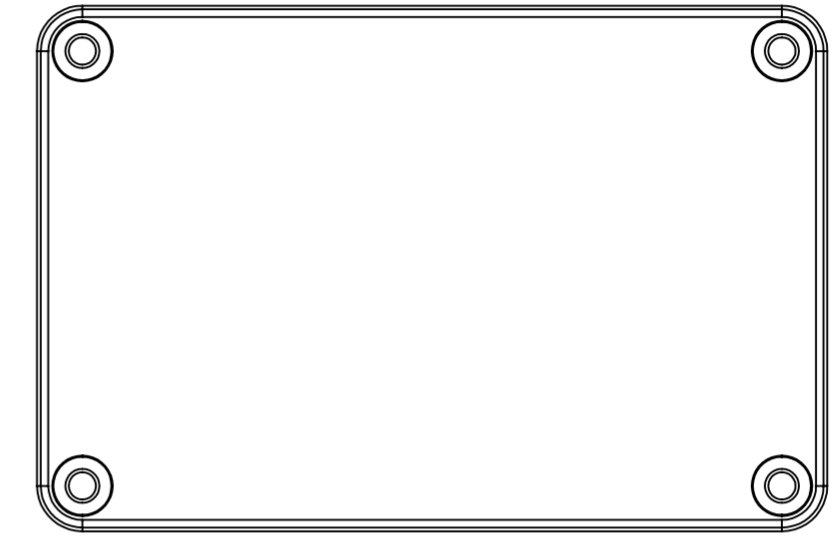
COVER: 6 SURFACE



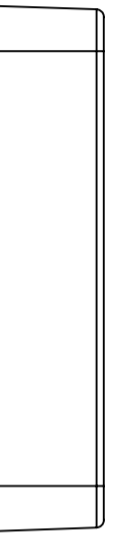
SURFACE-7



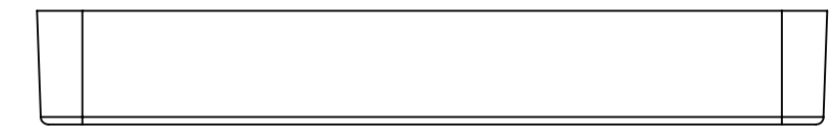
SURFACE-9



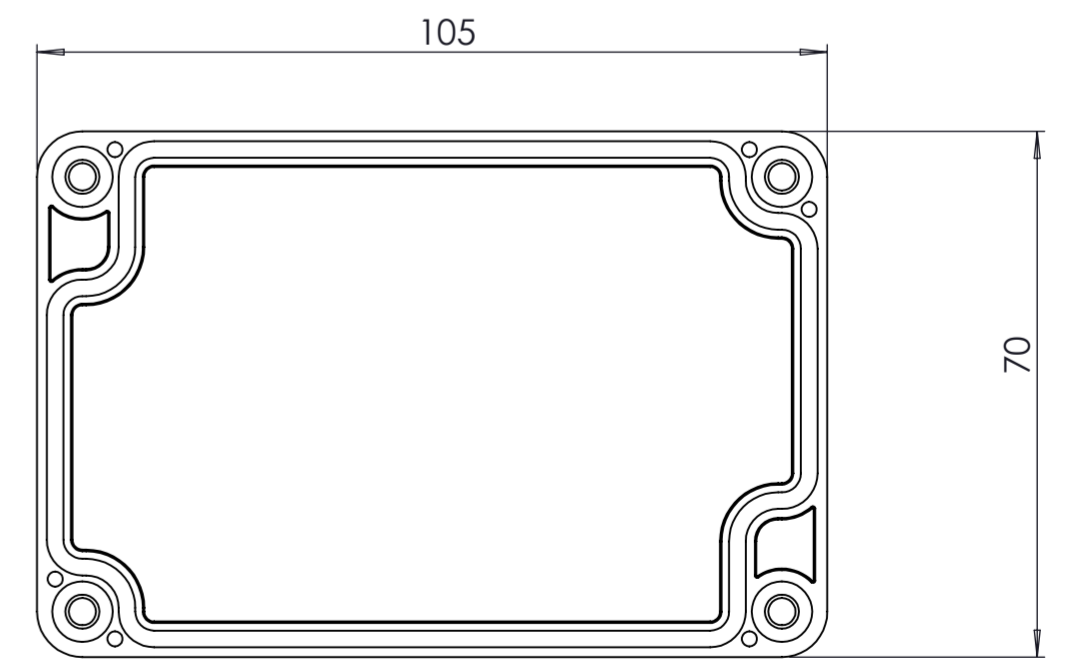
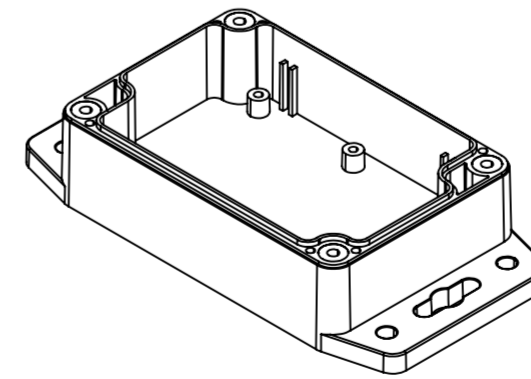
SURFACE-11




SURFACE-10



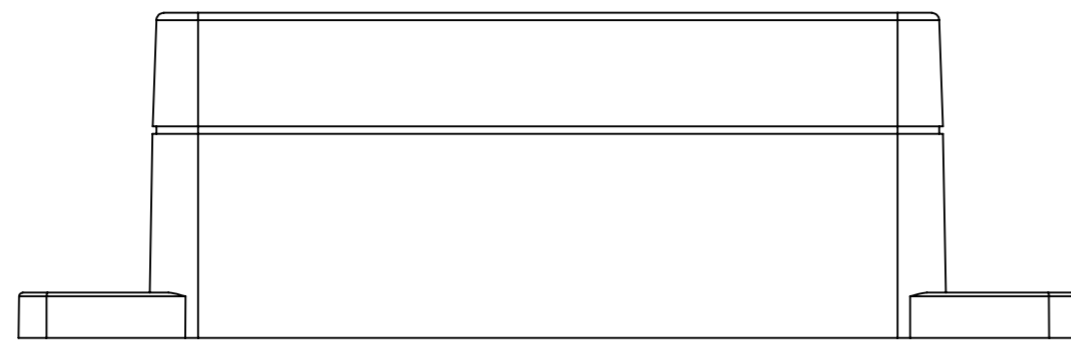
SURFACE-8



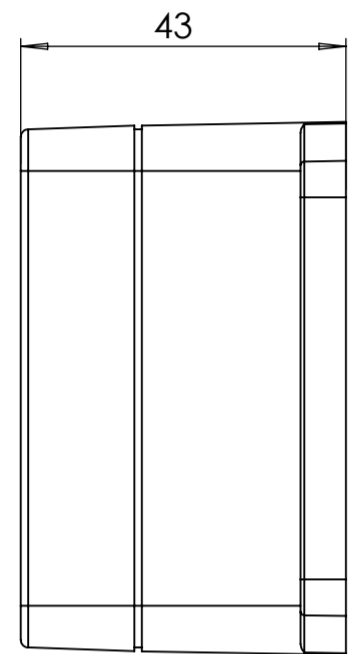
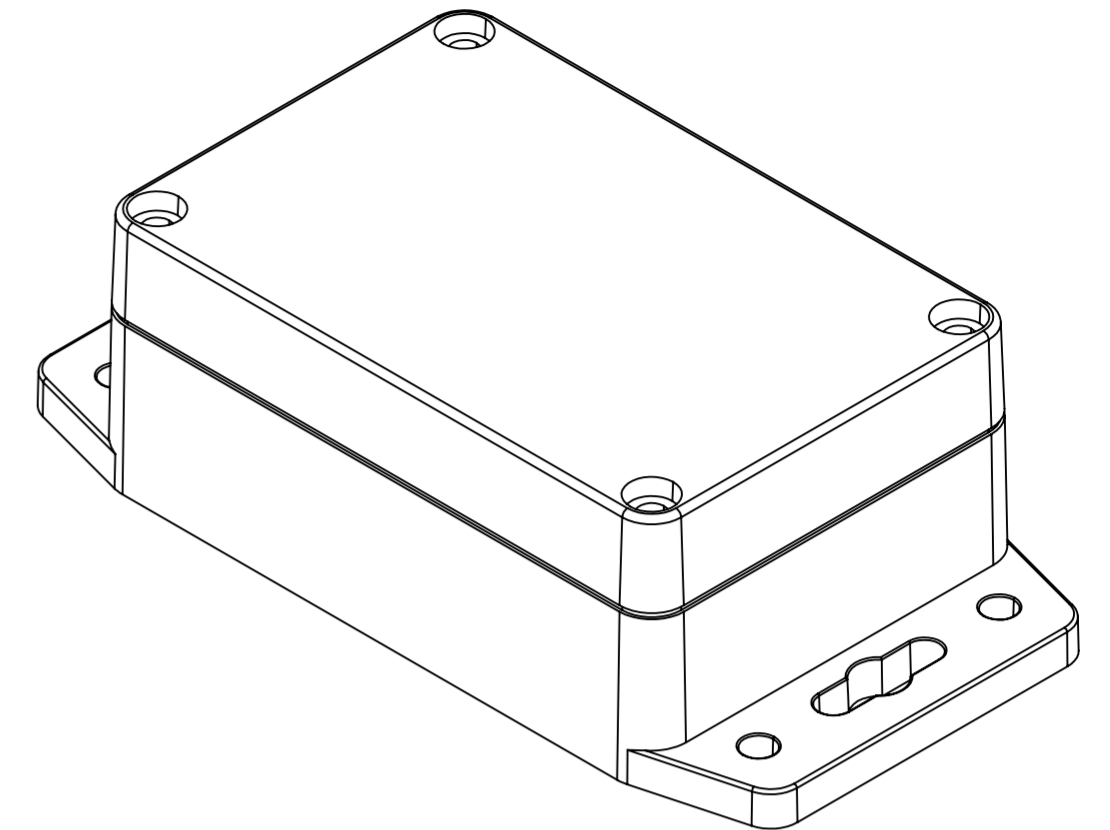
SURFACE-12 (INSIDE)

REV. NO	DATE	REVISED BY	DESCRIPTION OF CHANGE
 ALTINKAYA Electronic Enclosures & Components			www.altinkaya.com
			Customer Name:
Allinkaya Ref.:		Part Name: SF-209-0-0	
DRAWN	NAME	DATE	Drawn From:
Y.YEL	S.YESILOZ	4.07.2024	Material:
CHECKED	Y.YEL	4.07.2024	Weight:
DIMENSIONAL TOLERANCES (UNLESS OTHERWISE SPECIFIED) (DIN 7148)			
	0,5-3mm	3-6mm	6-30mm
	±0,1	±0,1	±0,2
			±0,3
			±0,5
			mm (medium)

SF-209 IF MACHINED TOGETHER



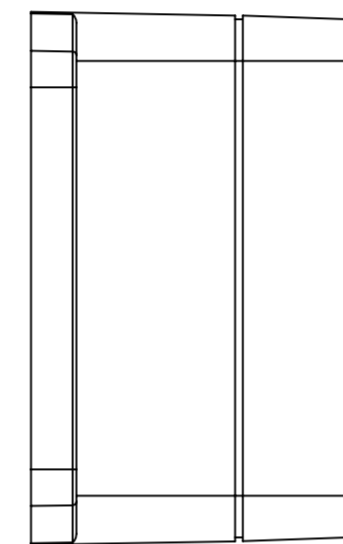
SURFACE-13



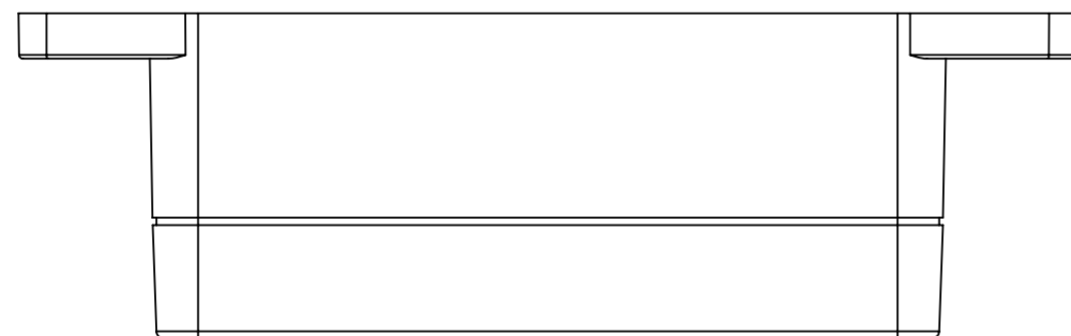
SURFACE-15



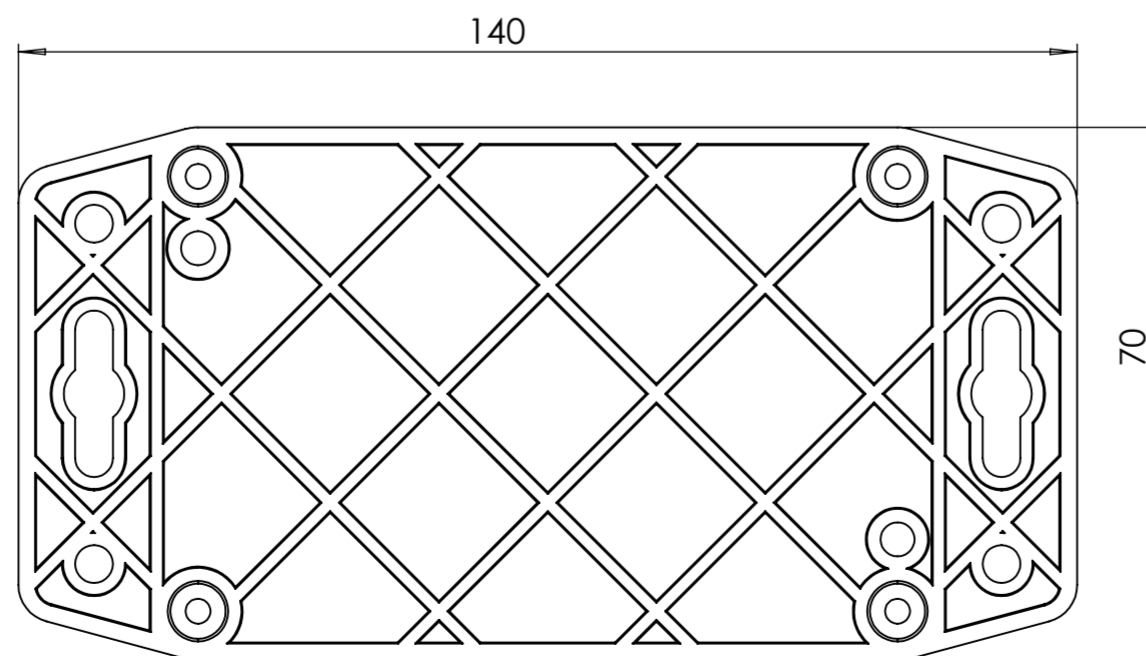
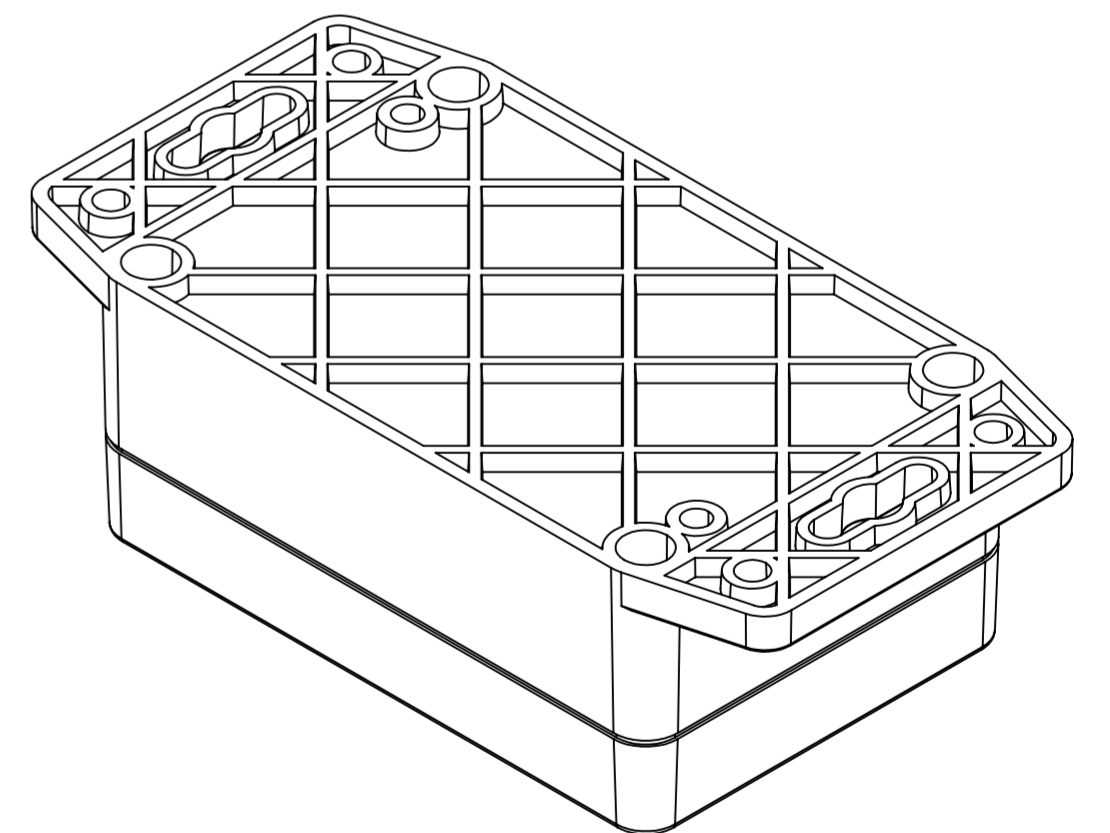
SURFACE-17




SURFACE-16



SURFACE-14



SURFACE-18

REV. NO	DATE	REVISED BY	DESCRIPTION OF CHANGE
 ALTINKAYA Electronic Enclosures & Components			www.altinkaya.com
Customer Name:		Customer Ref.:	
Altinkaya Ref.:		Part Name: SF-209-0-0	
DRAWN	NAME	DATE	Drawn From:
CHECKED	Y.YEL	4.07.2024	Material:
DIMENSIONAL TOLERANCES UNLESS OTHERWISE SPECIFIED (DIN 7146)		0,5-3mm	3-6mm
		6-30mm	30-120mm
		20-400mm	Dimension (mm)
		±0,1	±0,1
		±0,2	±0,3
		±0,5	mm (medium)
SCALE: 1:1			UNIT: mm