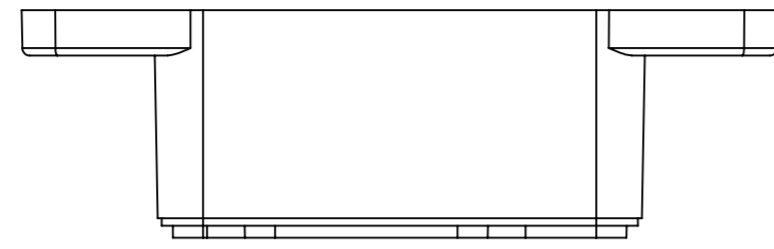
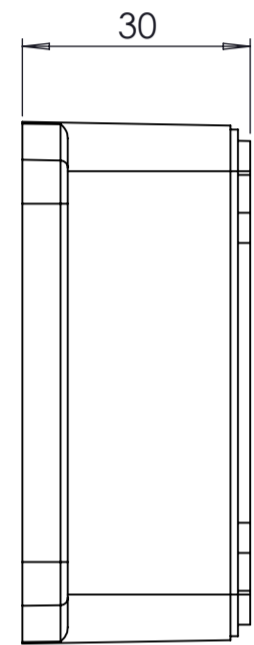


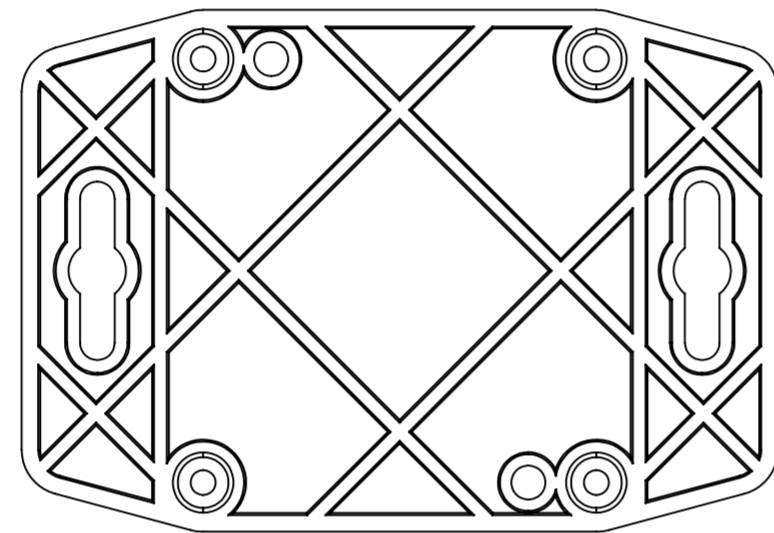
BASE: 6 SURFACE



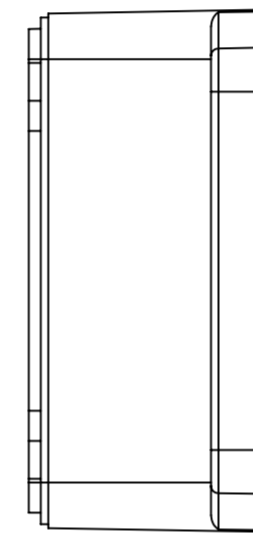
SURFACE-1



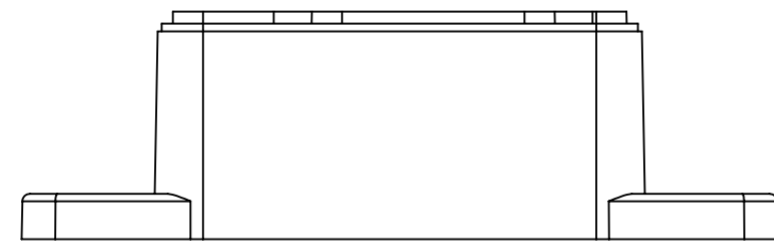
SURFACE-3



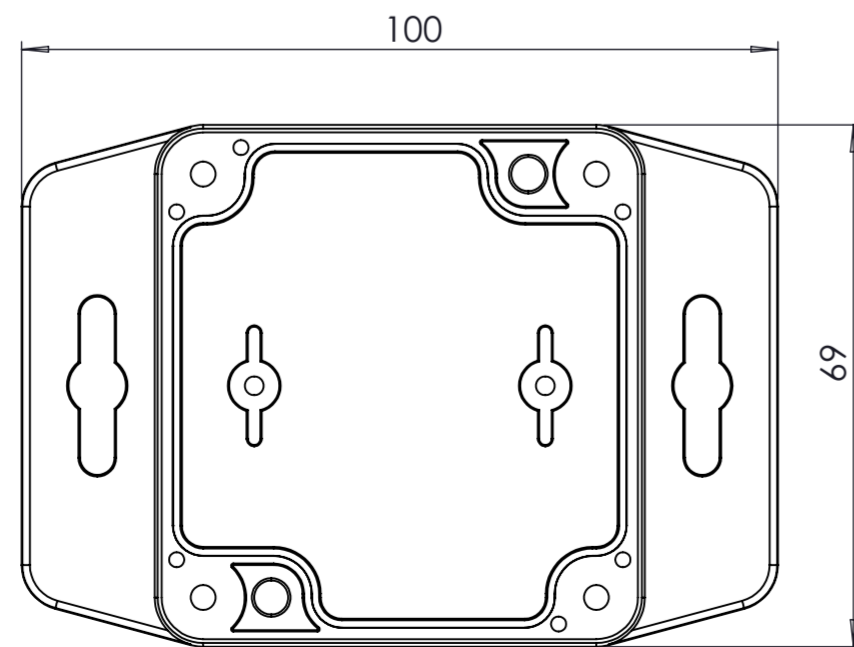
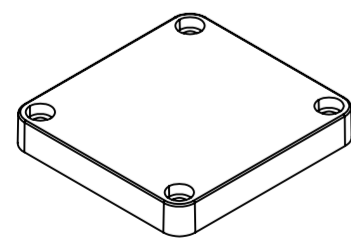
SURFACE-5



SURFACE-4

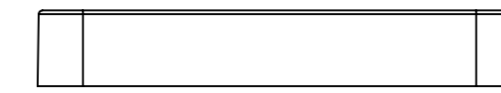


SURFACE-2

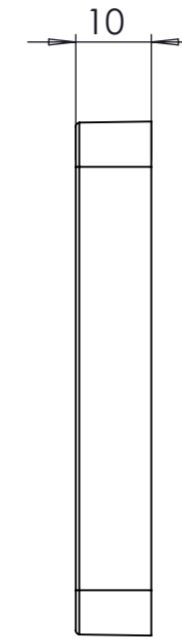


SURFACE-6 (INSIDE)

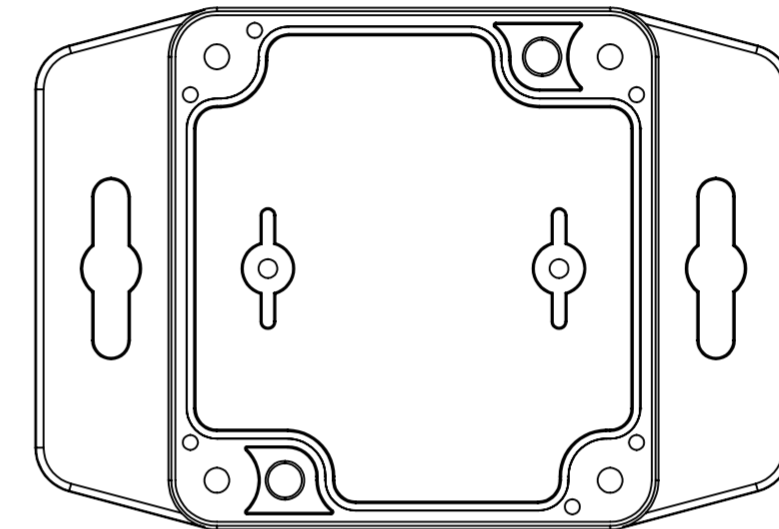
COVER: 6 SURFACE



SURFACE-7



SURFACE-9



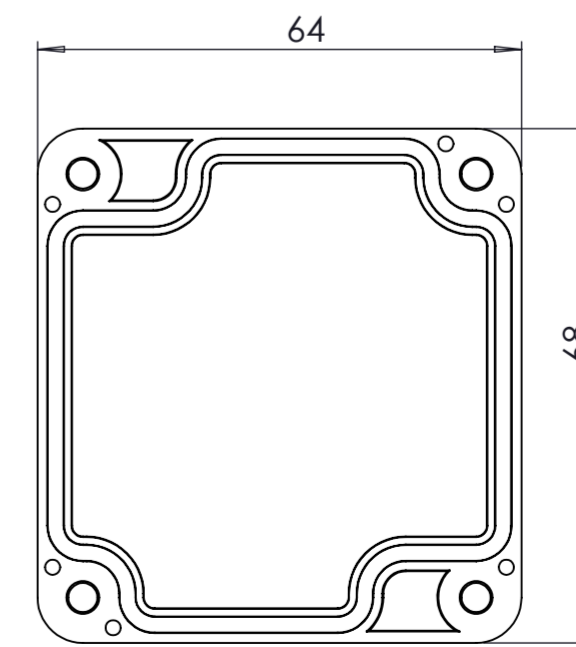
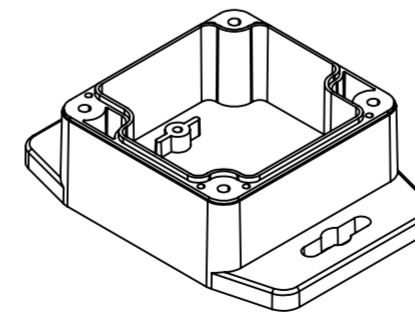
SURFACE-11




SURFACE-10



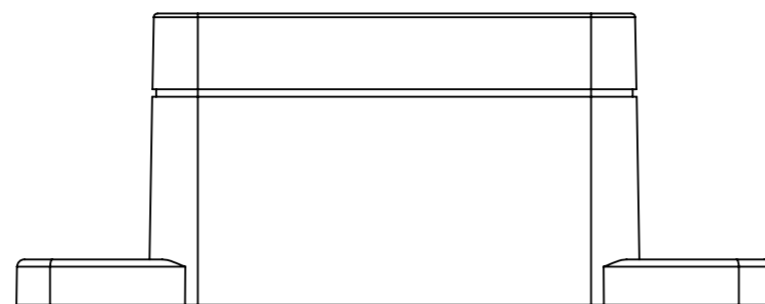
SURFACE-8



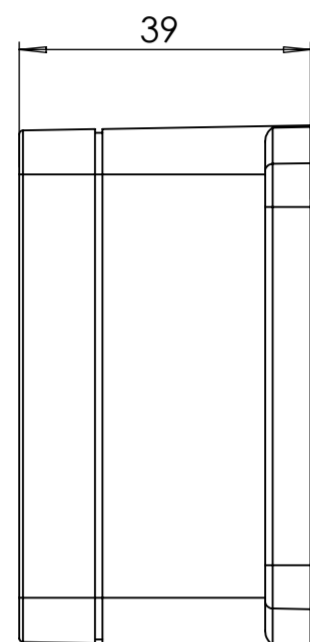
SURFACE-12 (INSIDE)

REV. NO	DATE	REVISED BY	DESCRIPTION OF CHANGE
 ALTINKAYA Electronic Enclosures & Components			
Customer Name:		Customer Ref.:	
Allinkaya Ref.:		Part Name: SF-205-0-0	
DRAWN	NAME	DATE	Drawn From:
S.YESIL OZ		3.07.2024	
CHECKED	Y.YEL	3.07.2024	Weight:
DIMENSIONAL TOLERANCES (UNLESS OTHERWISE SPECIFIED) (DIN 7146)			
	0,5-3mm	3-6mm	6-30mm
	±0,1	±0,1	±0,2
		±0,3	±0,5
			m (medium)

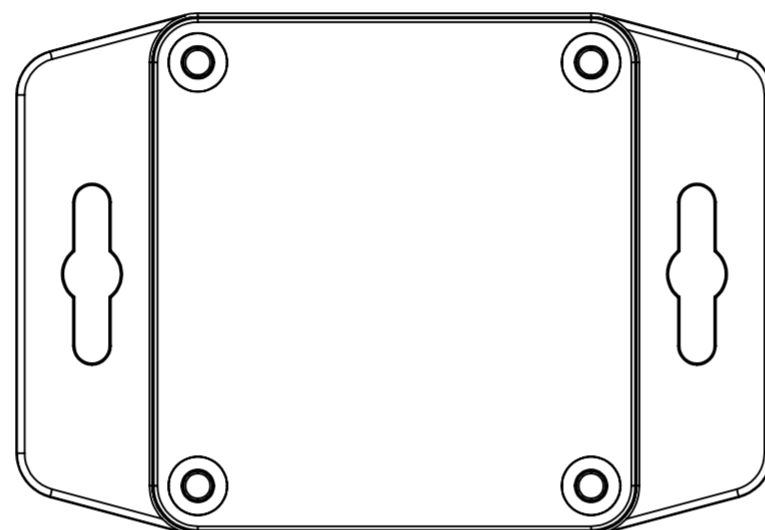
SF-205 IF MACHINED TOGETHER



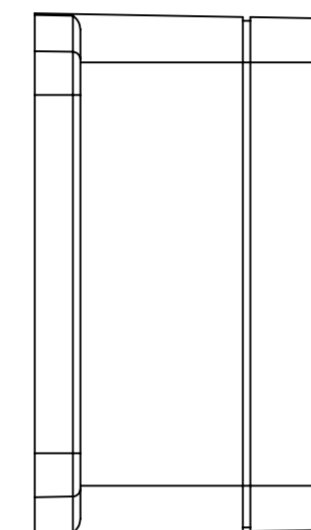
SURFACE-13



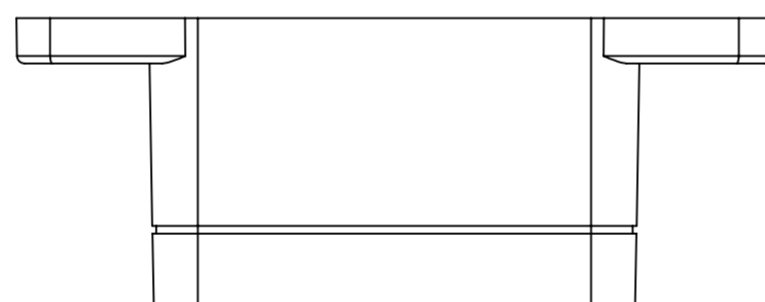
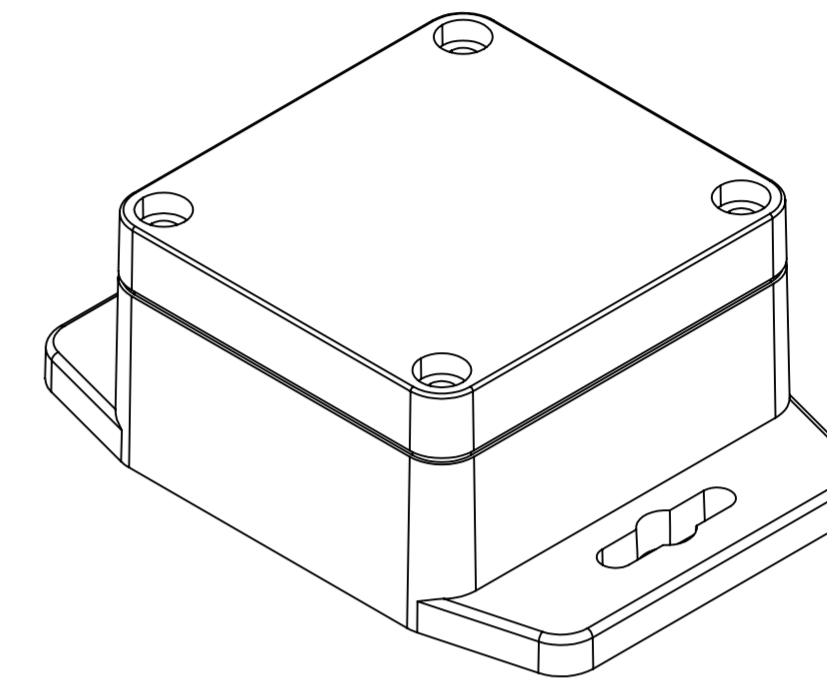
SURFACE-15



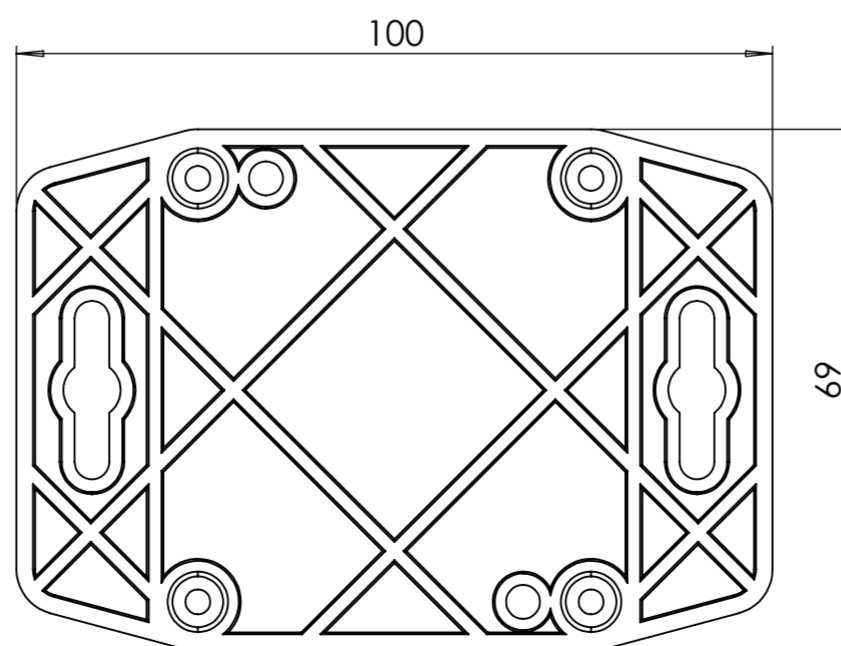
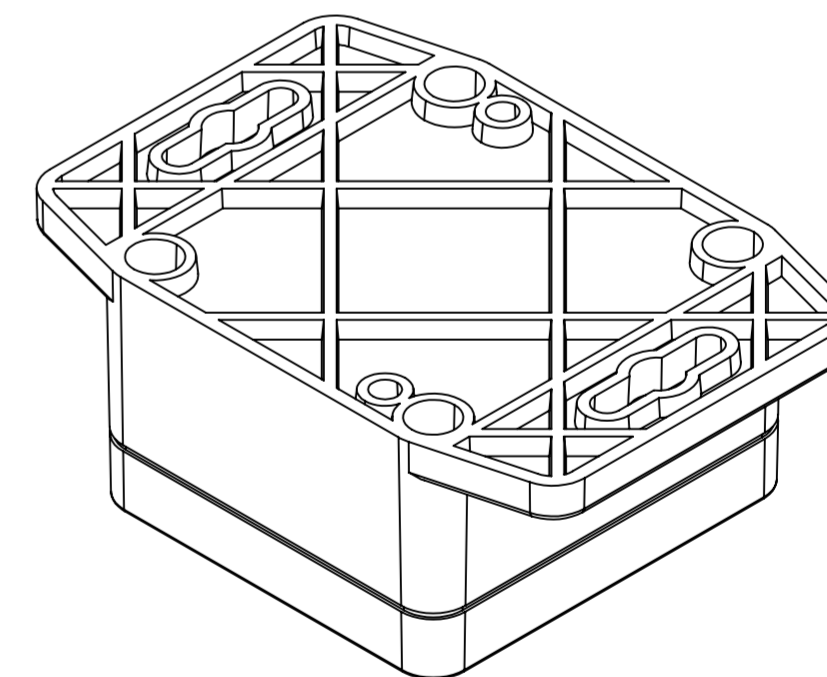
SURFACE-17




SURFACE-16



SURFACE-14



SURFACE-18

REV. NO	DATE	REVISED BY	DESCRIPTION OF CHANGE
 ALTINKAYA Electronic Enclosures & Components			www.altinkaya.com
Customer Name:		Customer Ref.:	
Altinkaya Ref.:		Part Name: SF-205-0-0	
DRAWN	NAME	DATE	Drawn From:
CHECKED	Y.YEL	3.07.2024	Weight:
DIMENSIONAL TOLERANCES (UNLESS OTHERWISE SPECIFIED) (DIN 7148)			
	±0.1	±0.1	±0.2
	±0.3	±0.3	±0.5
	m (medium)		

SCALE: 1:1

SHEET 2 OF 2

A2