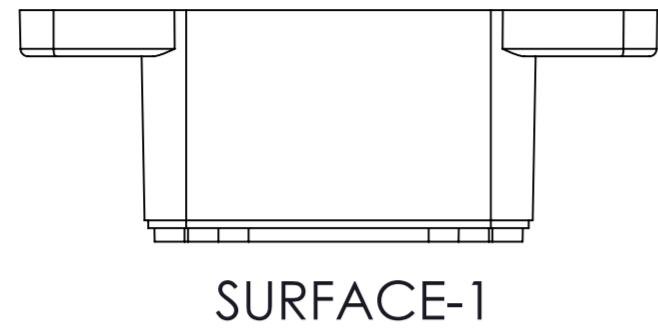
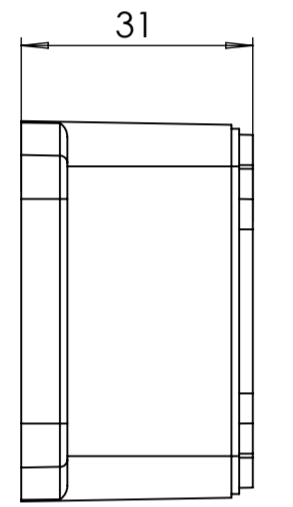


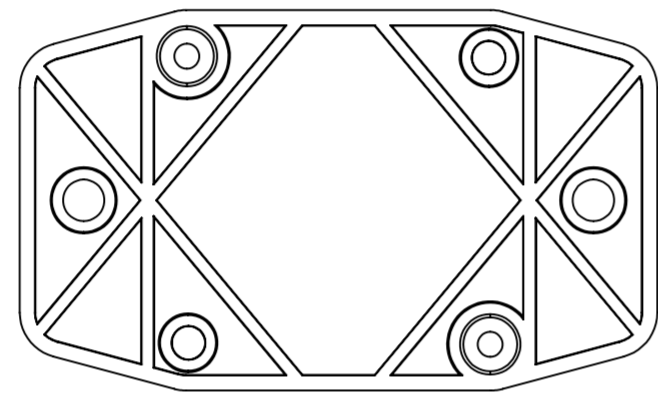
BASE: 6 SURFACE



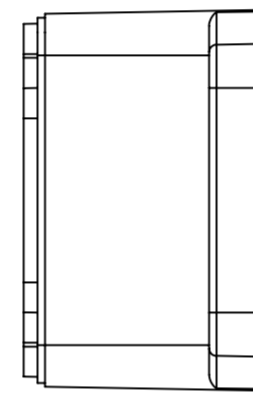
SURFACE-1



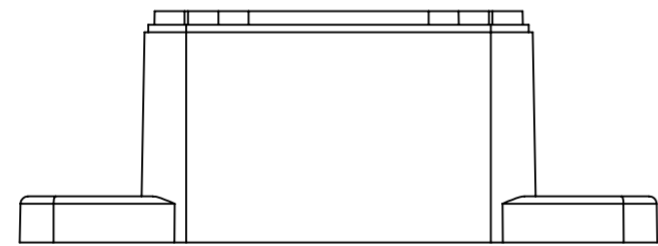
SURFACE-3



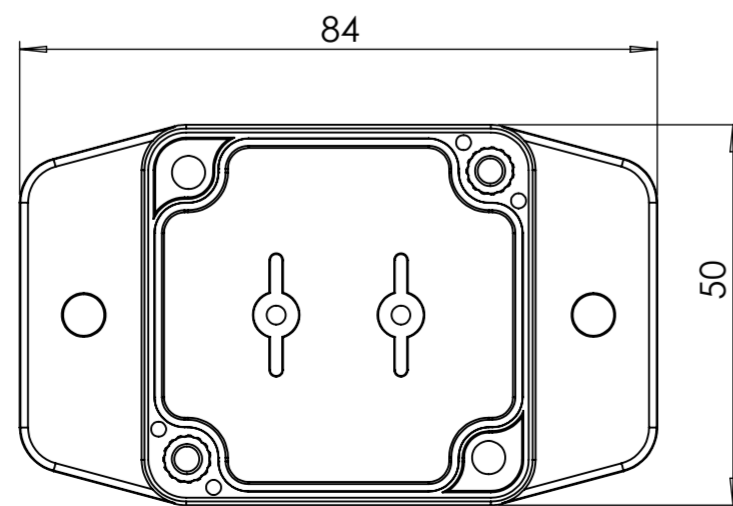
SURFACE-5



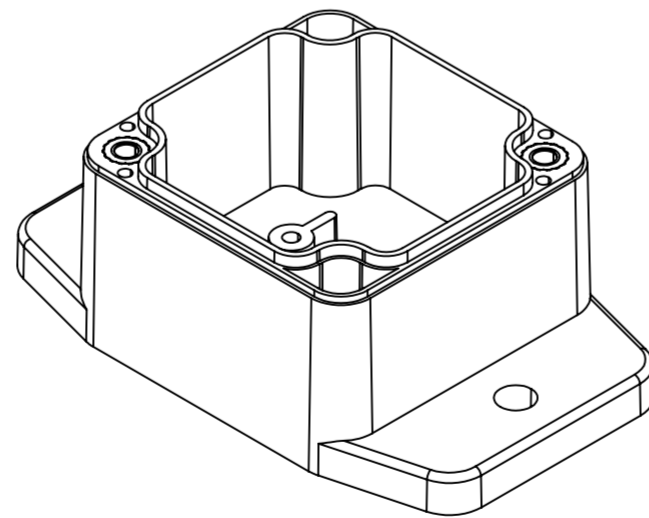
SURFACE-4



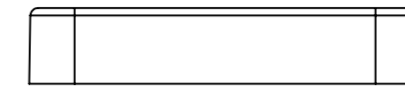
SURFACE-2



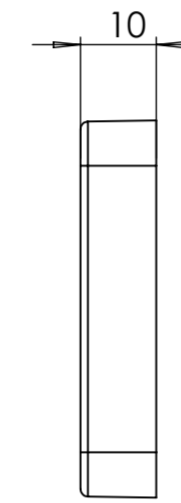
SURFACE-6 (INSIDE)



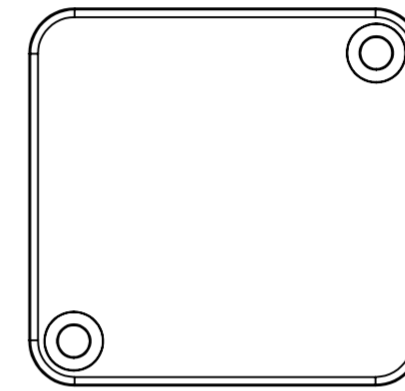
COVER: 6 SURFACE



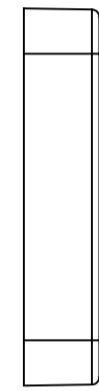
SURFACE-7



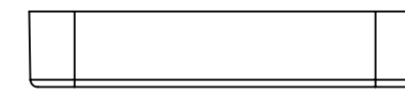
SURFACE-9



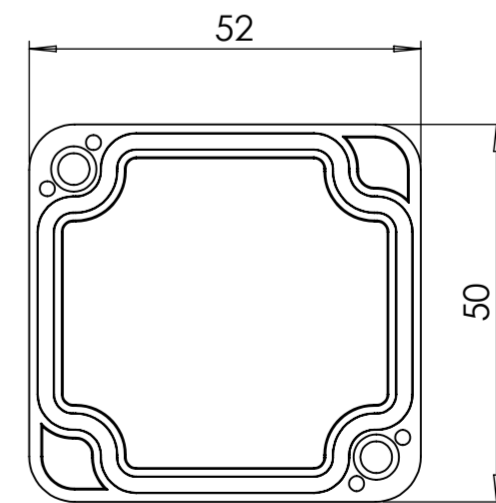
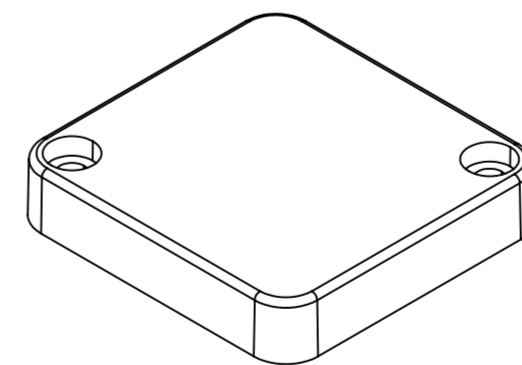
SURFACE-11




SURFACE-10



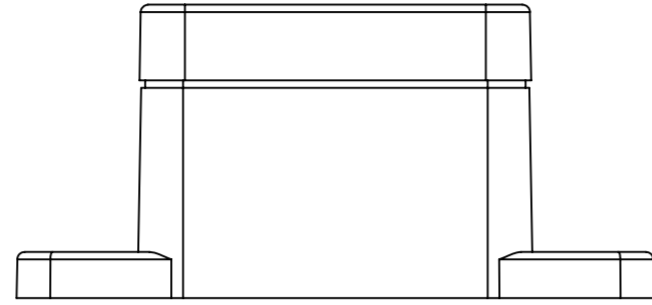
SURFACE-8



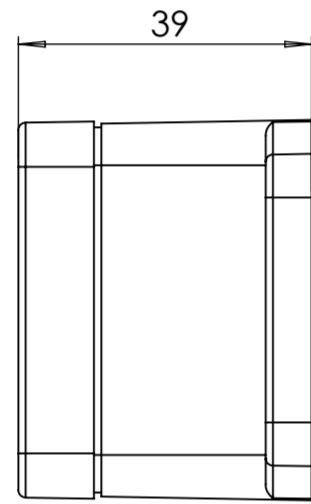
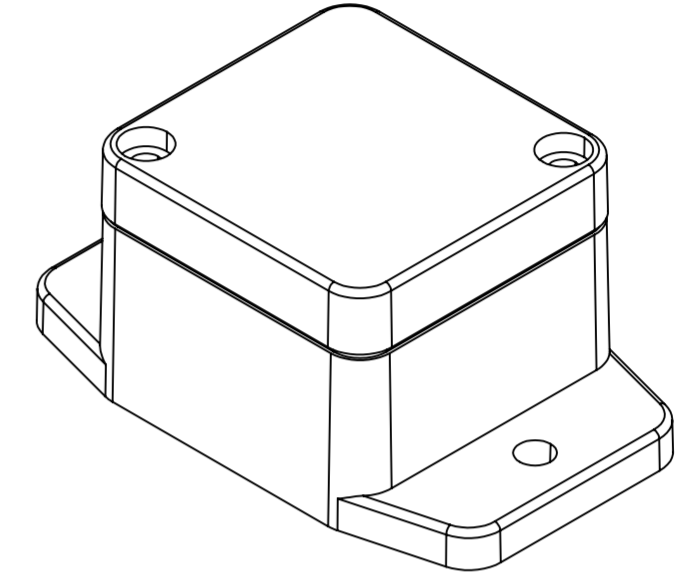
SURFACE-12 (INSIDE)

REV. NO	DATE	REVISED BY	DESCRIPTION OF CHANGE
 ALTINKAYA Electronic Enclosures & Components			
Customer Name:		Customer Ref.:	
Allinkaya Ref.:		Part Name: SF-202-0-0	
DRAWN	NAME	DATE	Drawn From:
CHECKED	Y.YEL	3.07.2024	Material:
DIMENSIONAL TOLERANCES (UNLESS OTHERWISE SPECIFIED (EN 27148))		0,5-3mm	3-6mm
		6-30mm	30-120mm
		20-400mm	Dimension (mm)
		±0,1	±0,1
		±0,2	±0,3
		±0,5	mm (medium)
SCALE: 1:1		SHEET 1 OF 2	

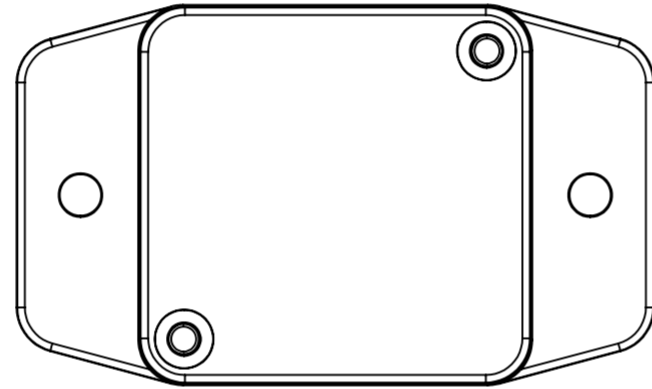
SF-202 IF MACHINED TOGETHER



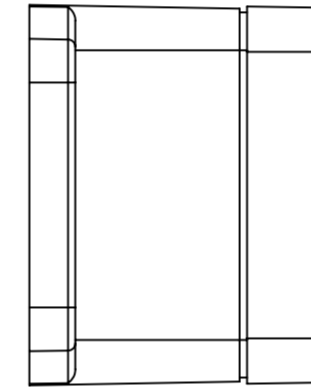
SURFACE-13



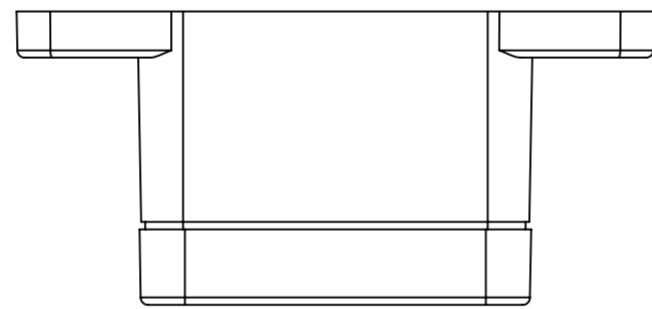
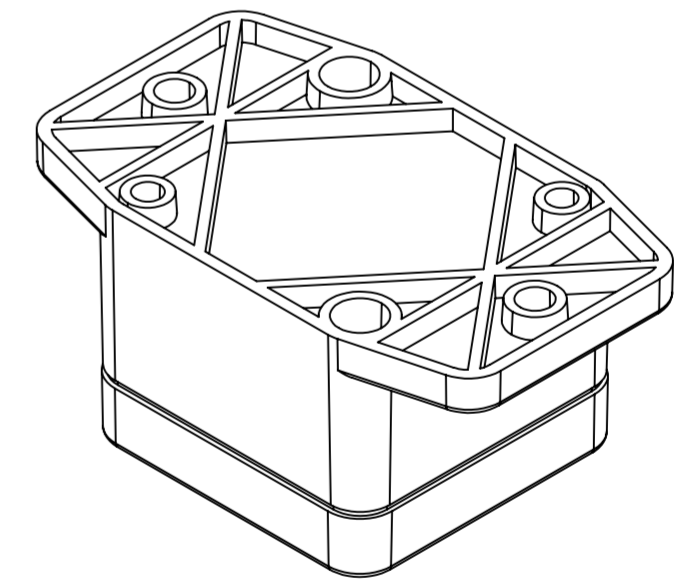
SURFACE-15



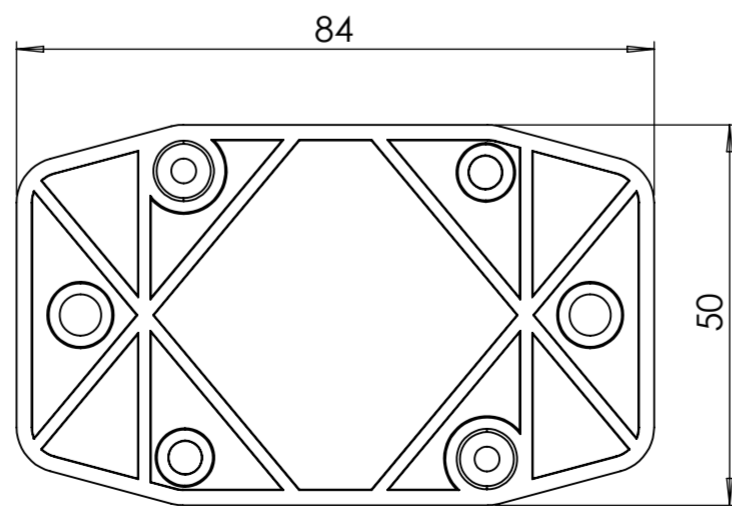
SURFACE-17



SURFACE-16



SURFACE-14



SURFACE-18

REV. NO	DATE	REVISED BY	DESCRIPTION OF CHANGE
ALTINKAYA Electronic Enclosures & Components			www.altinkaya.com
Customer Name:		Customer Ref.:	
Altinkaya Ref.:		Part Name: SF-202-0-0	
DRAWN	NAME	DATE	Drawn From:
CHECKED	Y.YEL	3.07.2024	Material:
DIMENSIONAL TOLERANCES (UNLESS OTHERWISE SPECIFIED) (DIN 7148)		0,5-3mm	3-6mm
		6-30mm	30-120mm
		20-400mm	Dimension (mm)
		±0,1	±0,1
		±0,2	±0,3
		±0,5	mm (medium)
SCALE: 1:1			SHEET 2 OF 2