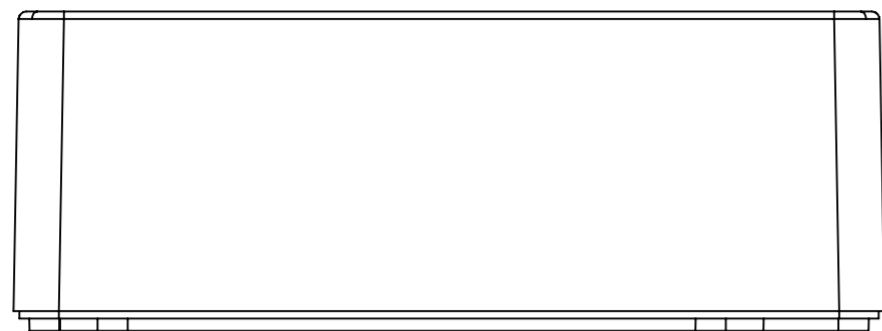
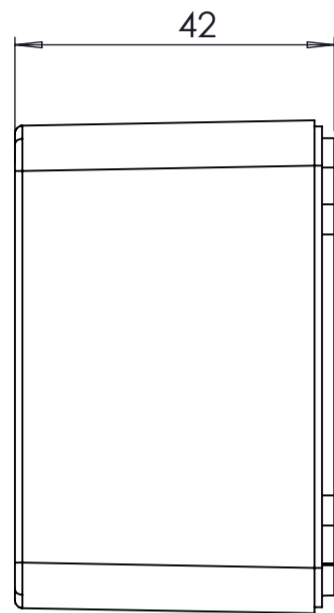


BASE: 6 SURFACE



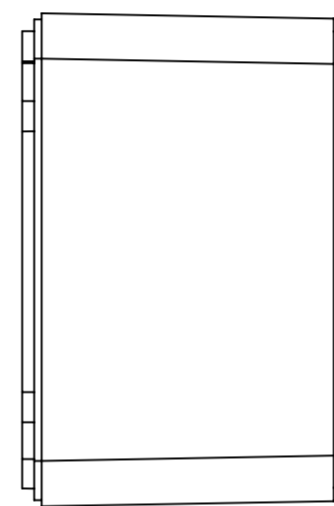
SURFACE-1



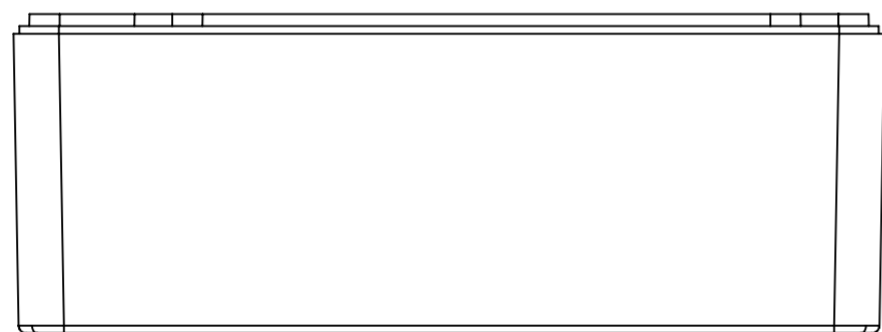
SURFACE-3



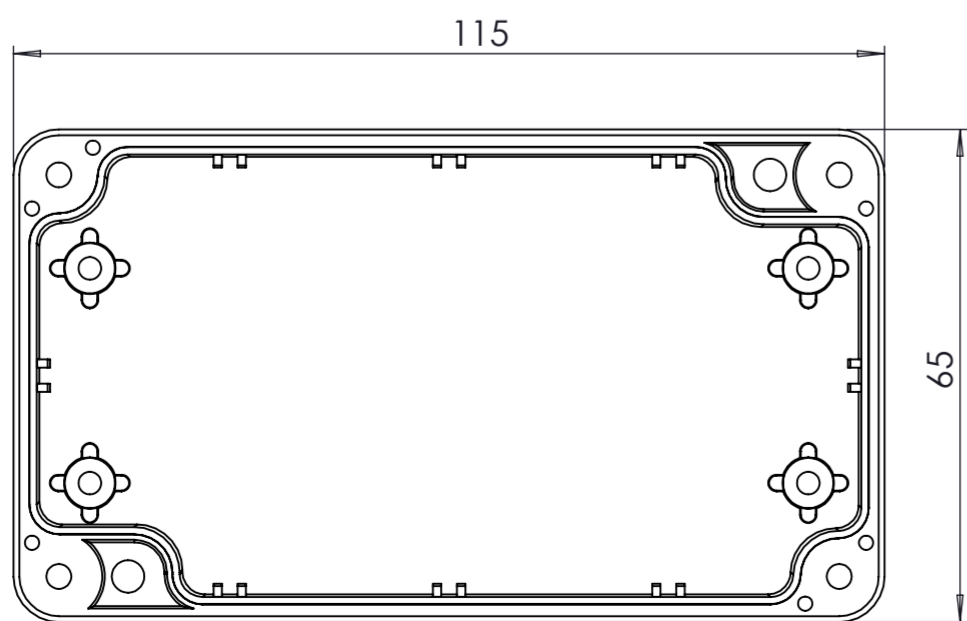
SURFACE-5



SURFACE-4

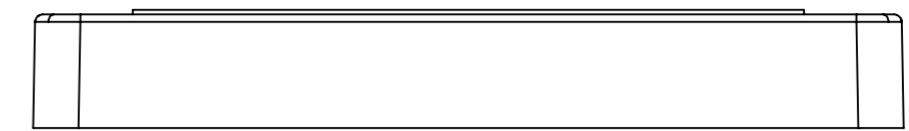


SURFACE-2

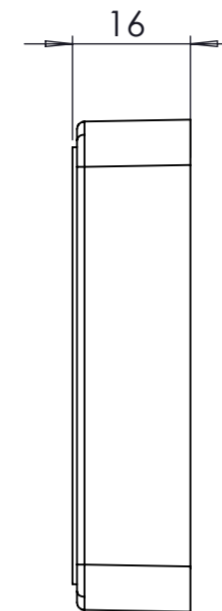


SURFACE-6 (INSIDE)

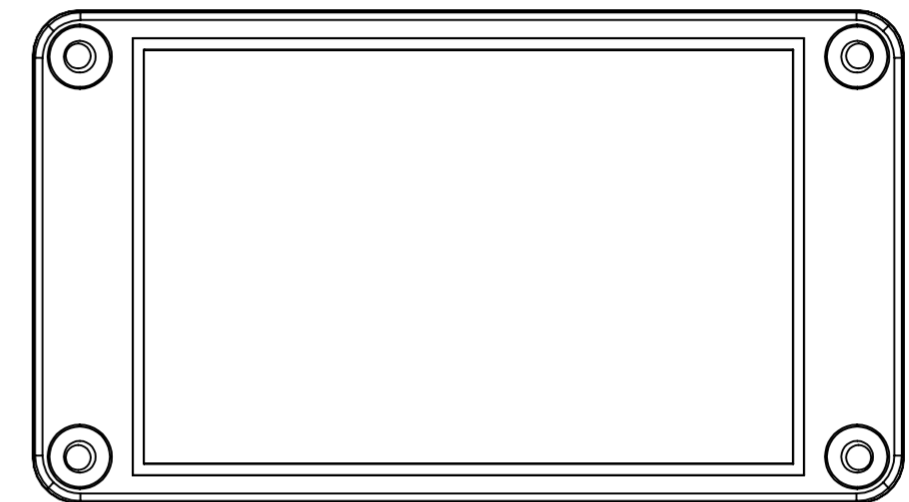
COVER: 6 SURFACE



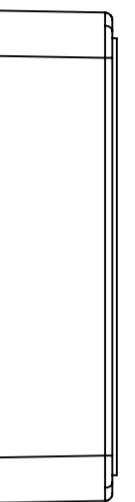
SURFACE-7



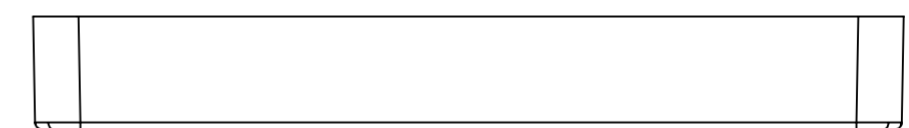
SURFACE-9



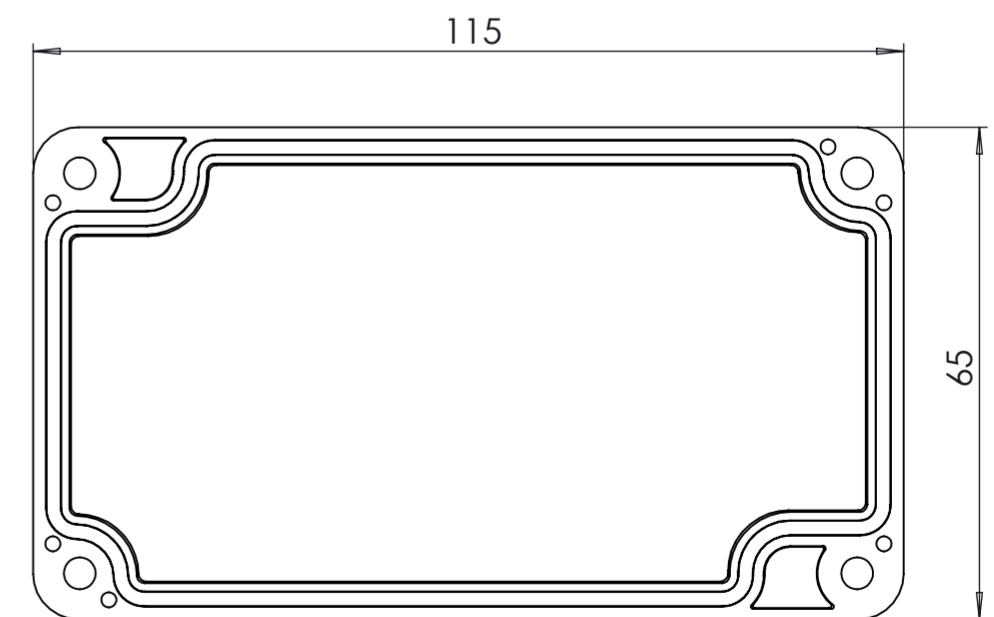
SURFACE-11




SURFACE-10



SURFACE-8



SURFACE-12 (INSIDE)

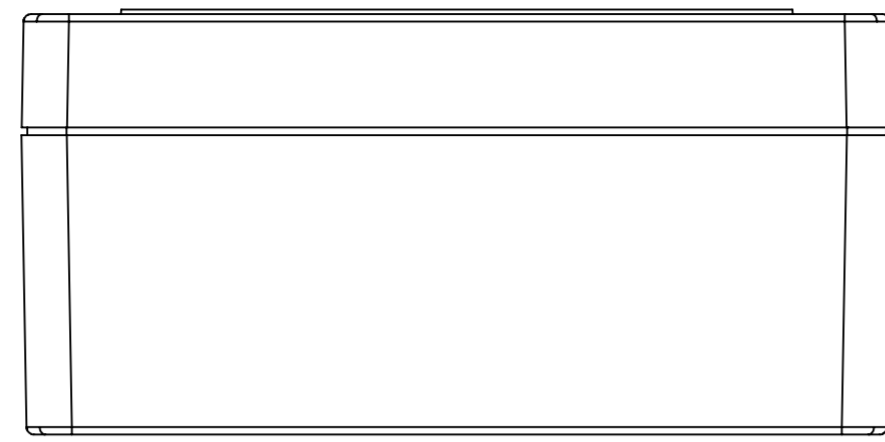
REV. NO	DATE	REVISED BY	DESCRIPTION OF CHANGE
 ALTINKAYA Electronic Enclosures & Components			
Customer Name:		Customer Ref.:	
Allinkaya Ref.:		Part Name: SE-035	
DRAWN	NAME	DATE	Drawn From:
CHECKED	Y.YEL	3.07.2024	Weight:
DIMENSIONAL TOLERANCES (UNLESS OTHERWISE SPECIFIED) (EN 7148)			
	0,5-3mm	3-6mm	6-30mm
	±0,1	±0,1	±0,2
			±0,3
			±0,5
			m (medium)

SCALE: 1:1

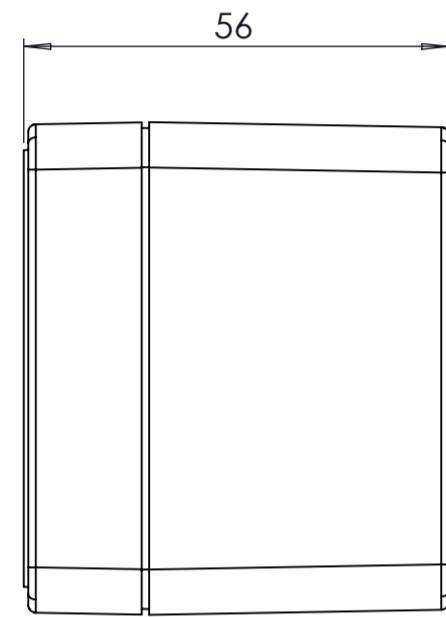
SHEET 1 OF 2

A2

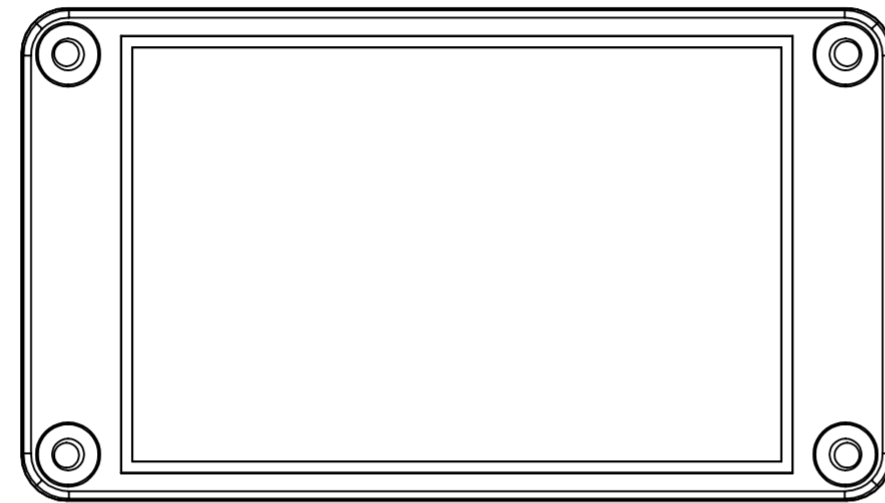
SE-035 IF MACHINED TOGETHER



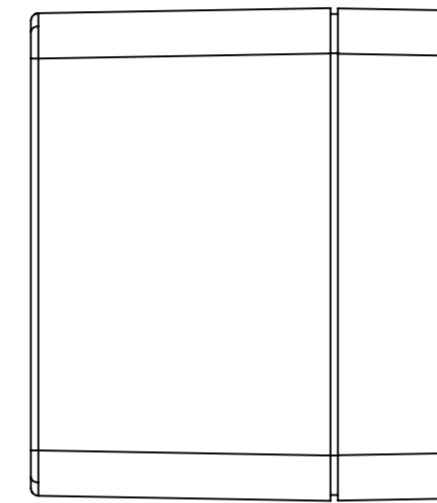
SURFACE-13



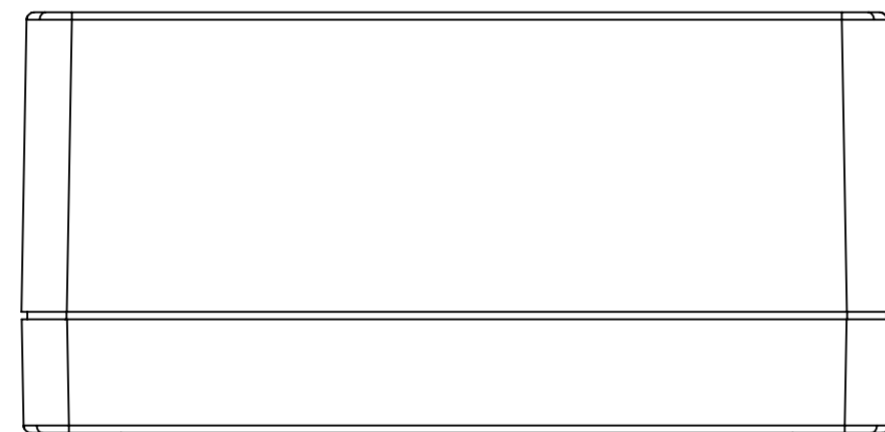
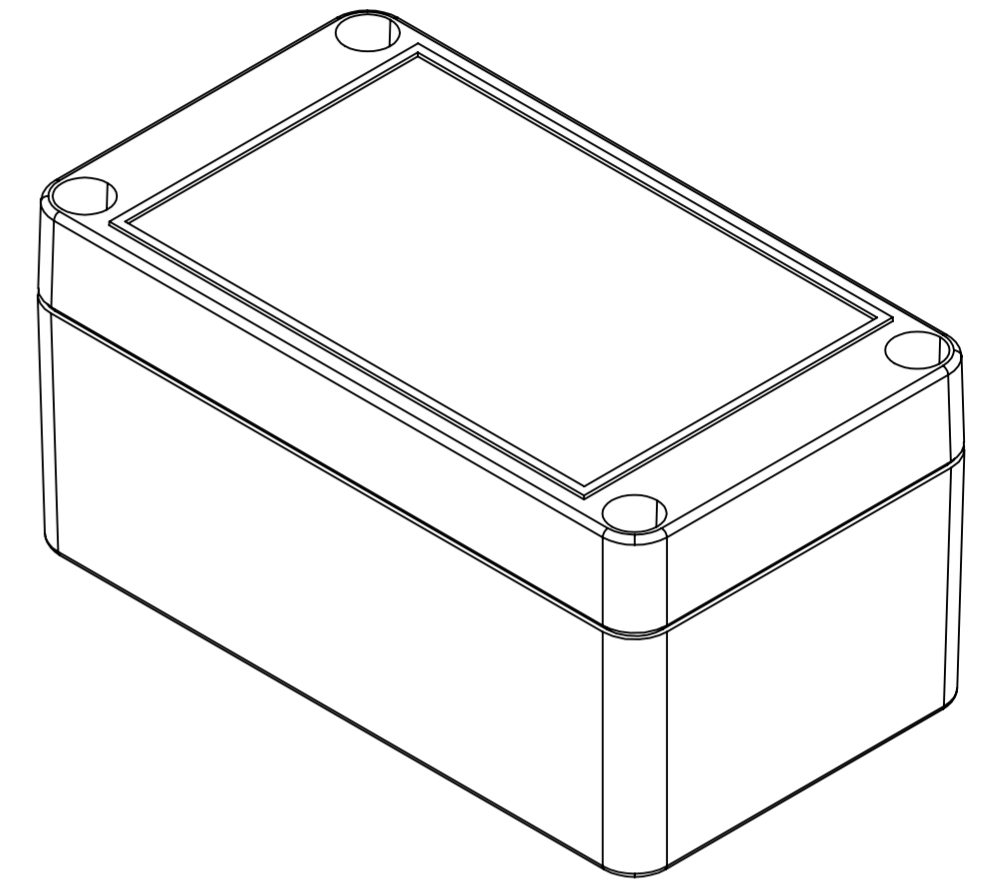
SURFACE-15



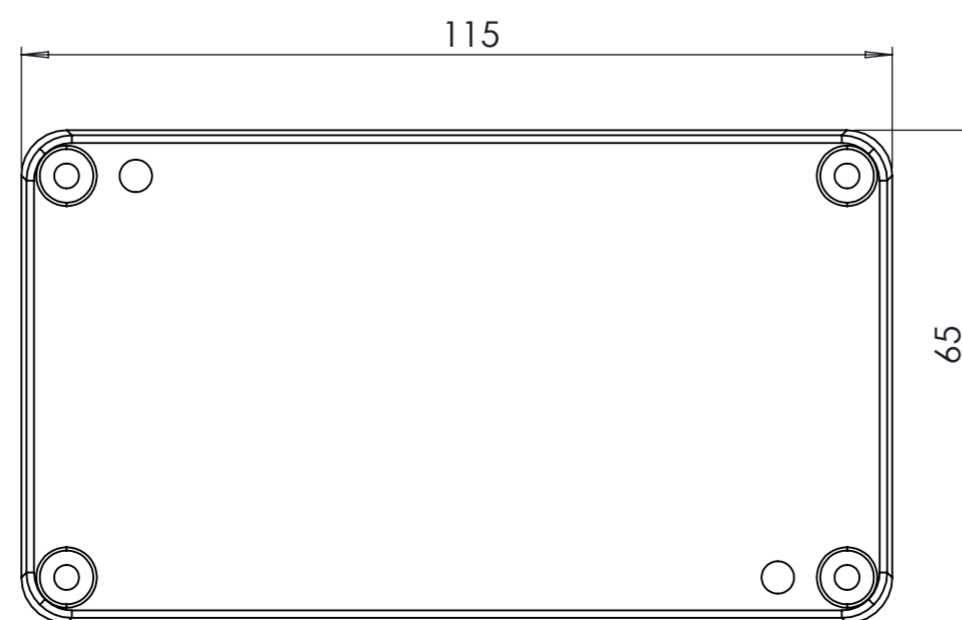
SURFACE-17



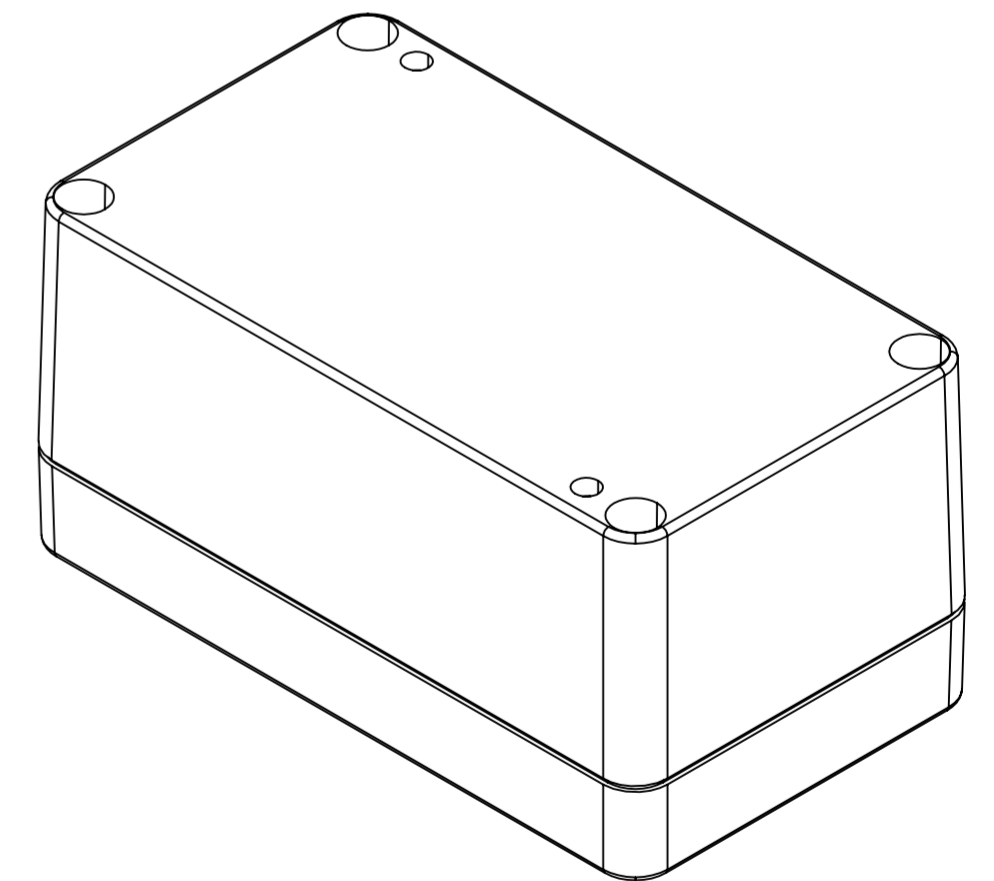
SURFACE-16




SURFACE-14



SURFACE-18



REV. NO	DATE	REVISED BY	DESCRIPTION OF CHANGE
 ALTINKAYA Electronic Enclosures & Components			
Customer Name:		Customer Ref.:	
Allinkaya Ref.:		Part Name: SE-035	
DRAWN	NAME	DATE	Drawn From:
CHECKED	Y.YEL	3.07.2024	Material:
DIMENSIONAL TOLERANCES UNLESS OTHERWISE SPECIFIED (DIN 7148)		0,5-3mm	3-6mm
		6-30mm	30-120mm
		120-400mm	Dimension (mm)
		±0,1	±0,1
		±0,2	±0,3
		±0,5	mm (medium)
SCALE: 1:1		SHEET 2 OF 2	