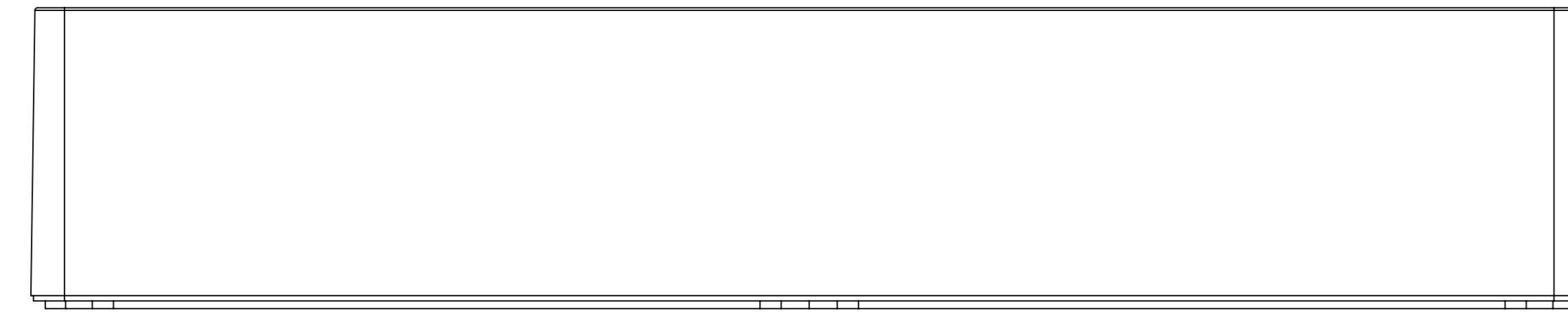
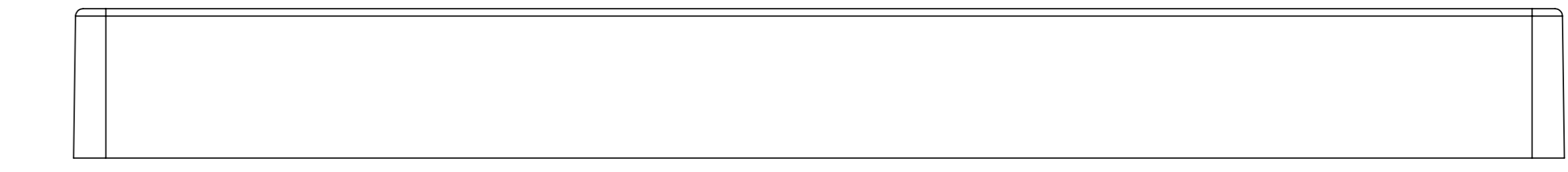


BASE: 6 SURFACE

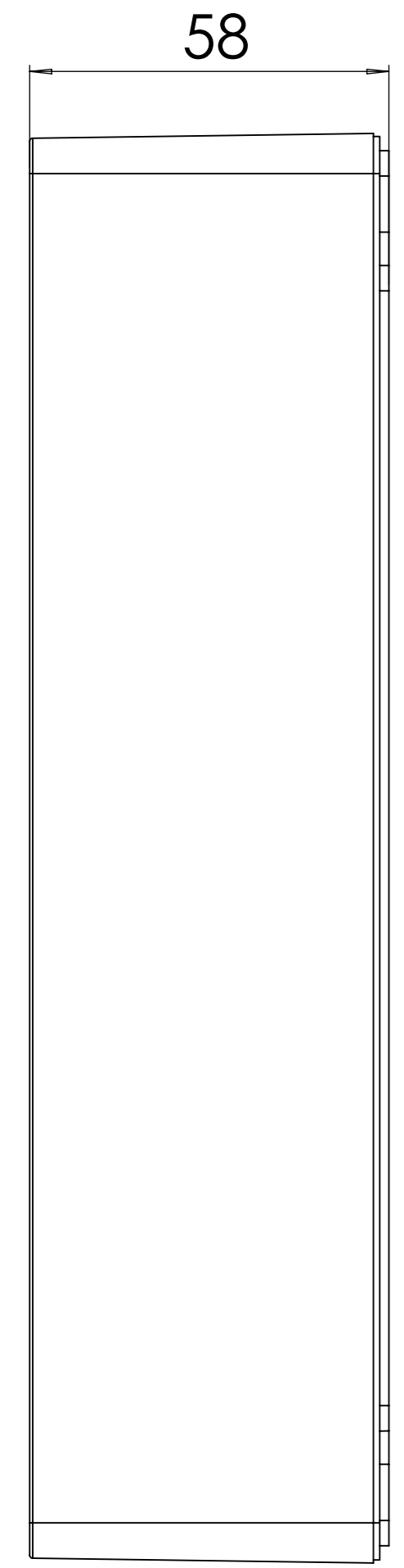
COVER: 6 SURFACE



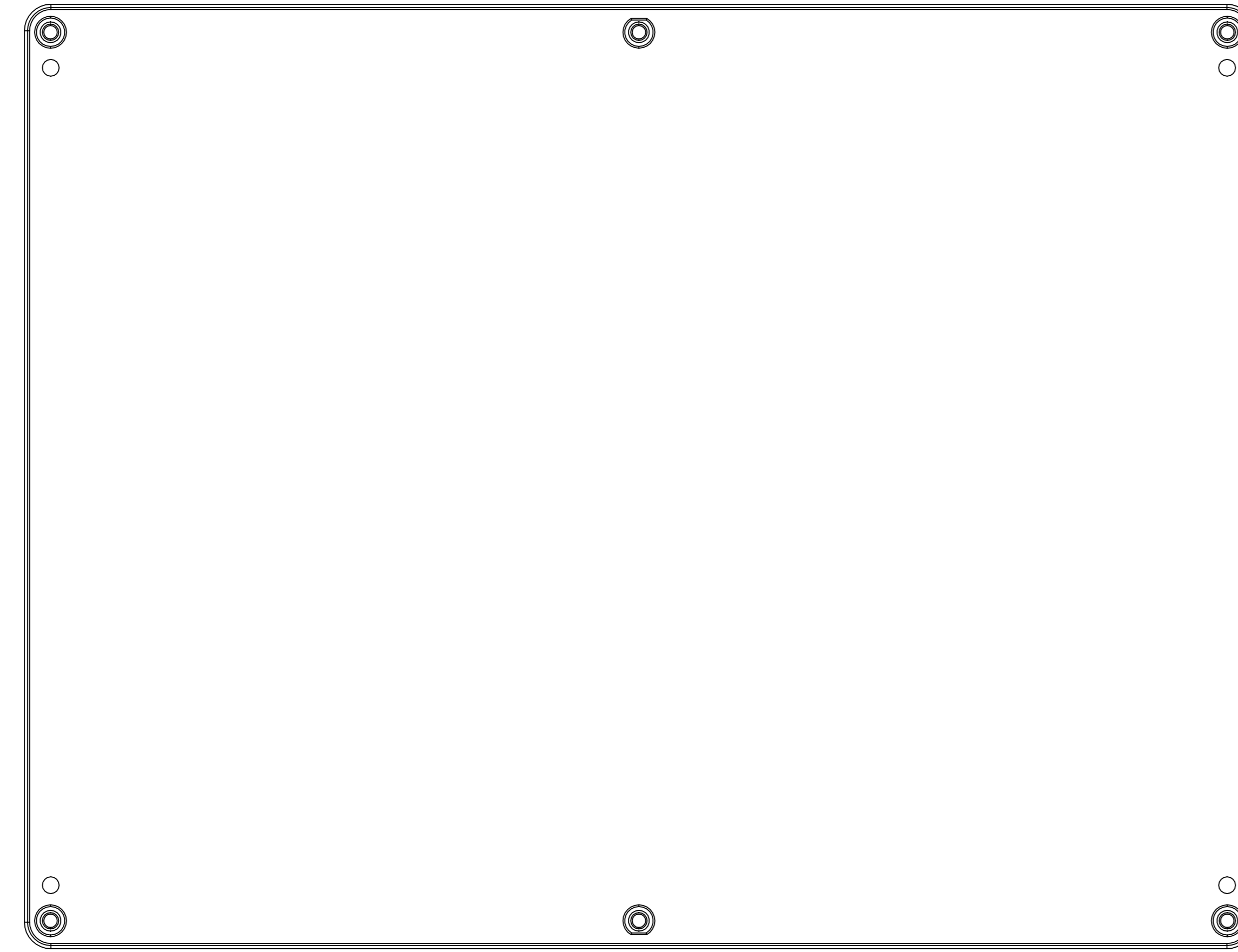
SURFACE-1



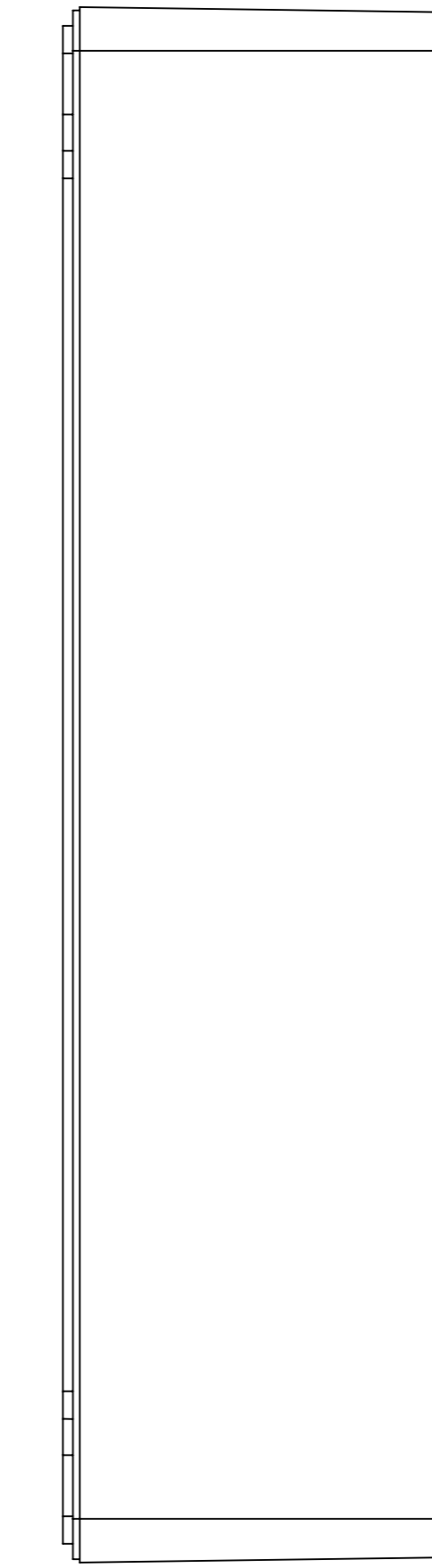
SURFACE-7



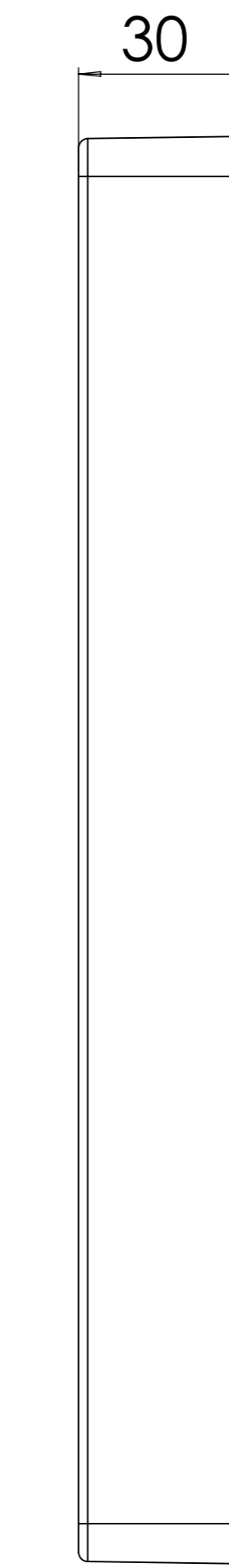
SURFACE-3



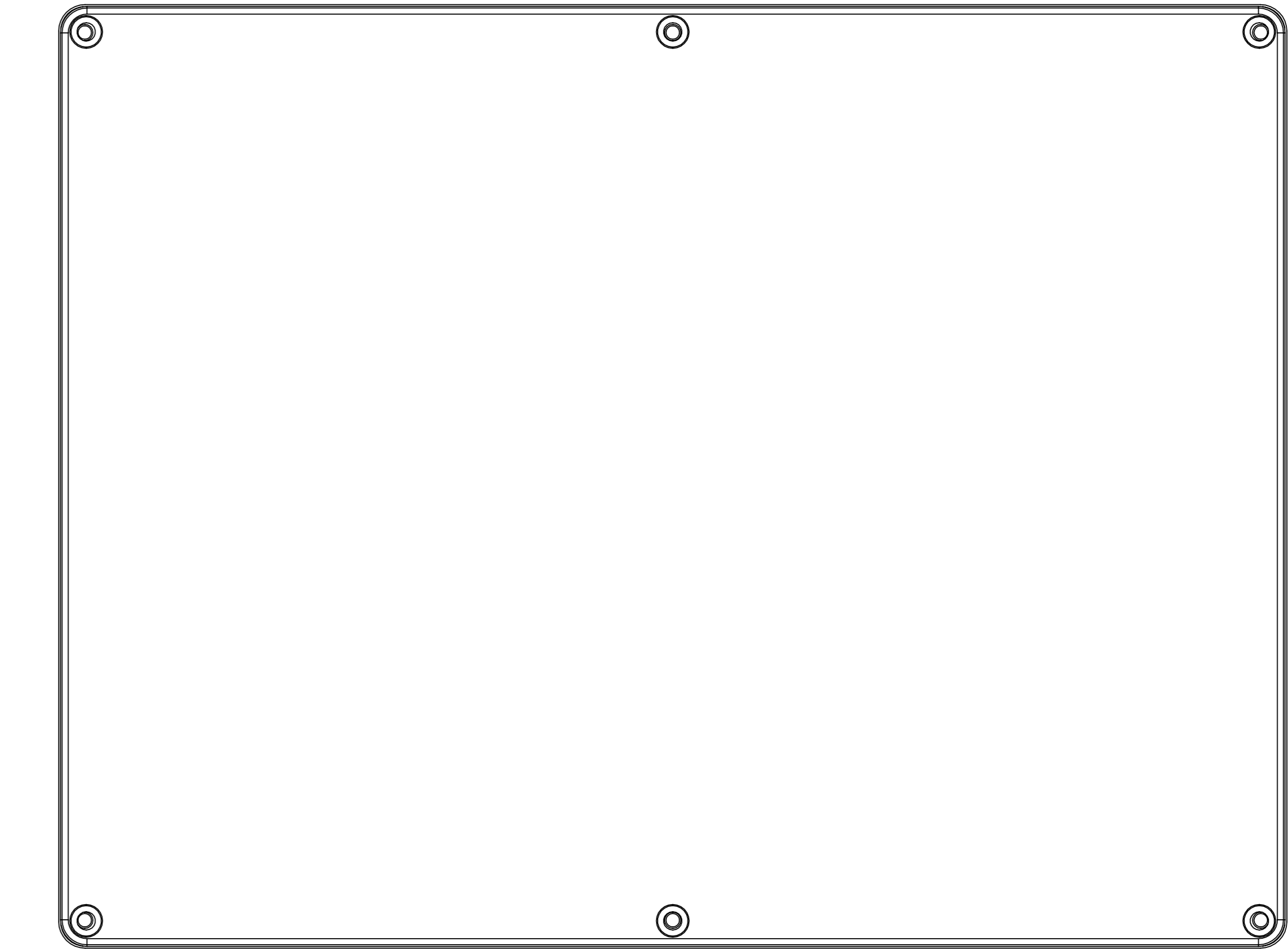
SURFACE-5



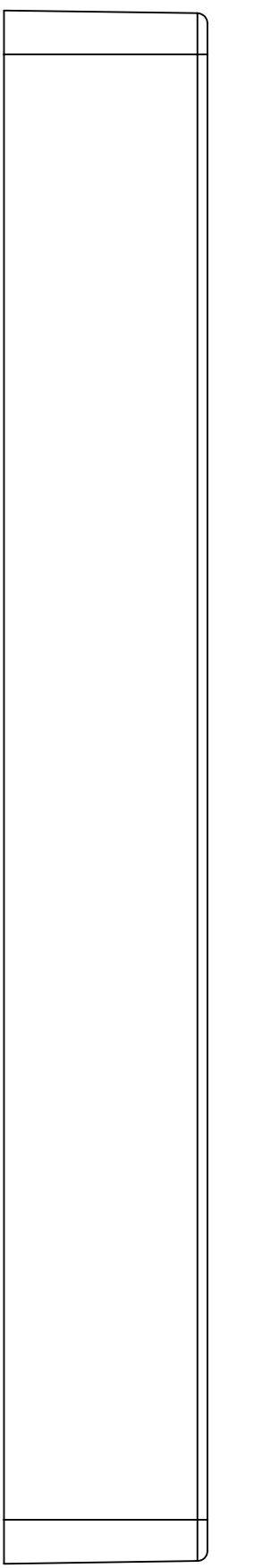
SURFACE-4



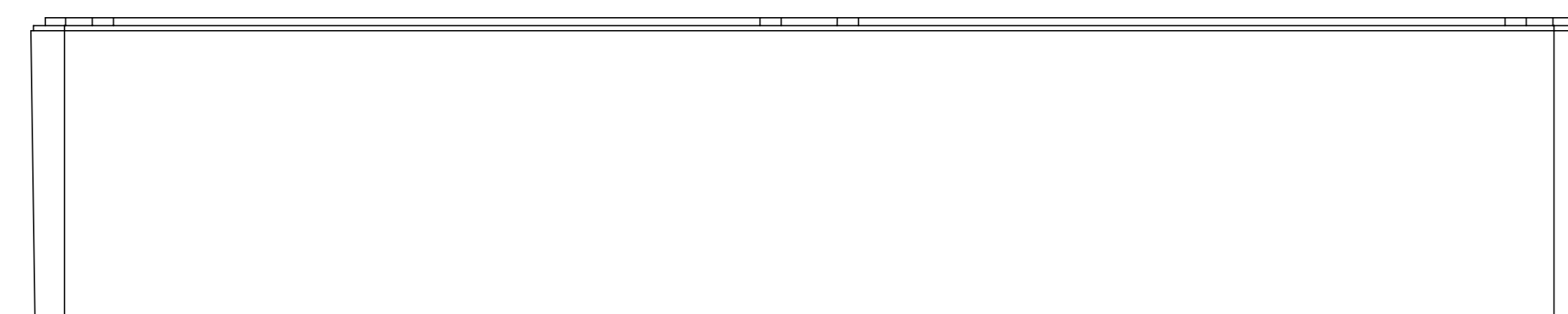
SURFACE-9



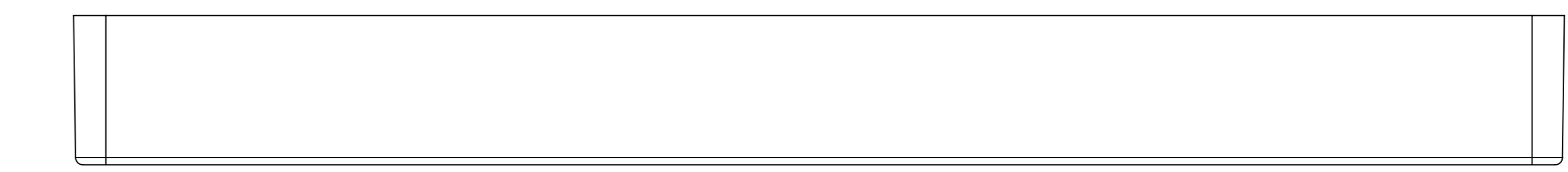
SURFACE-11



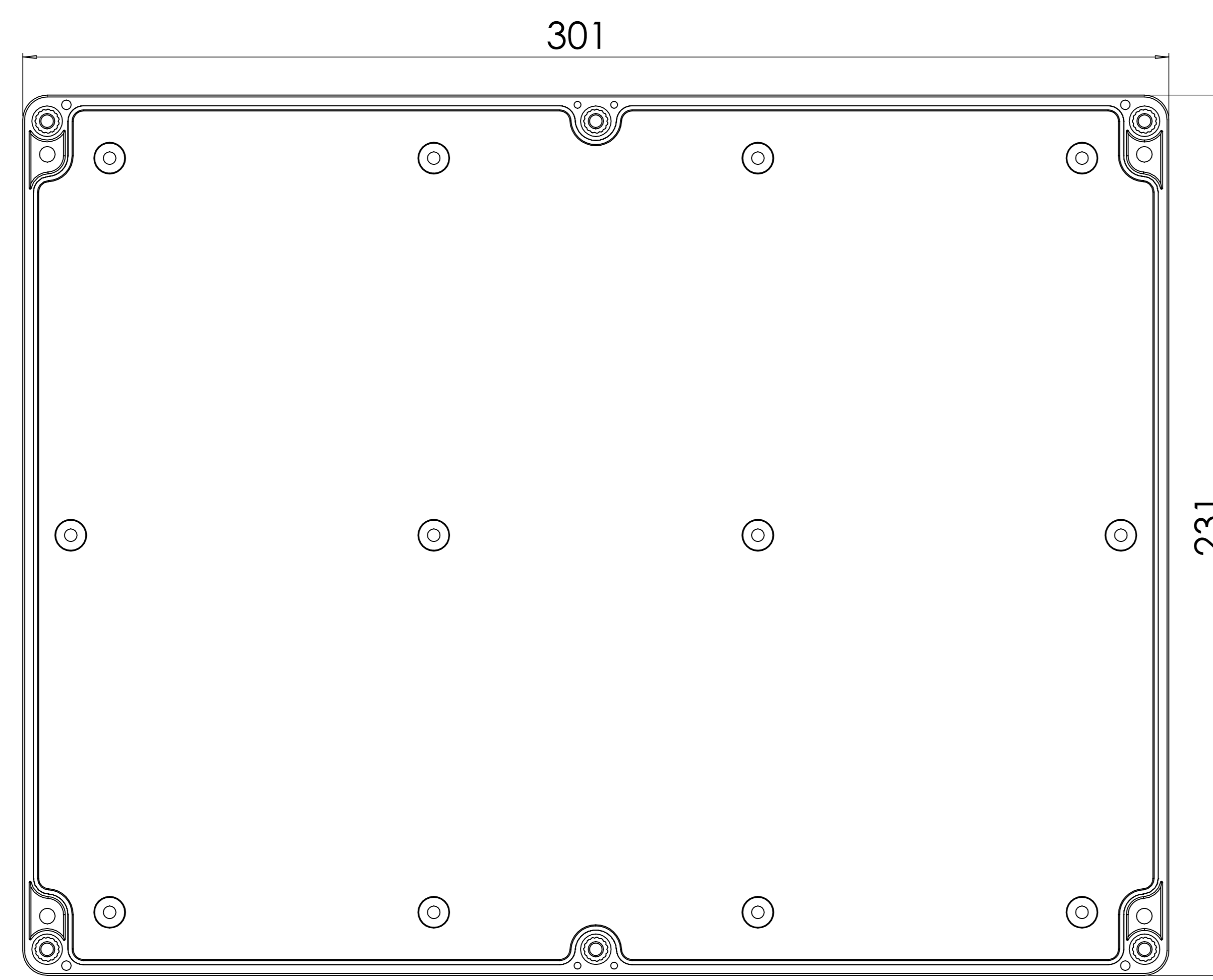
SURFACE-10



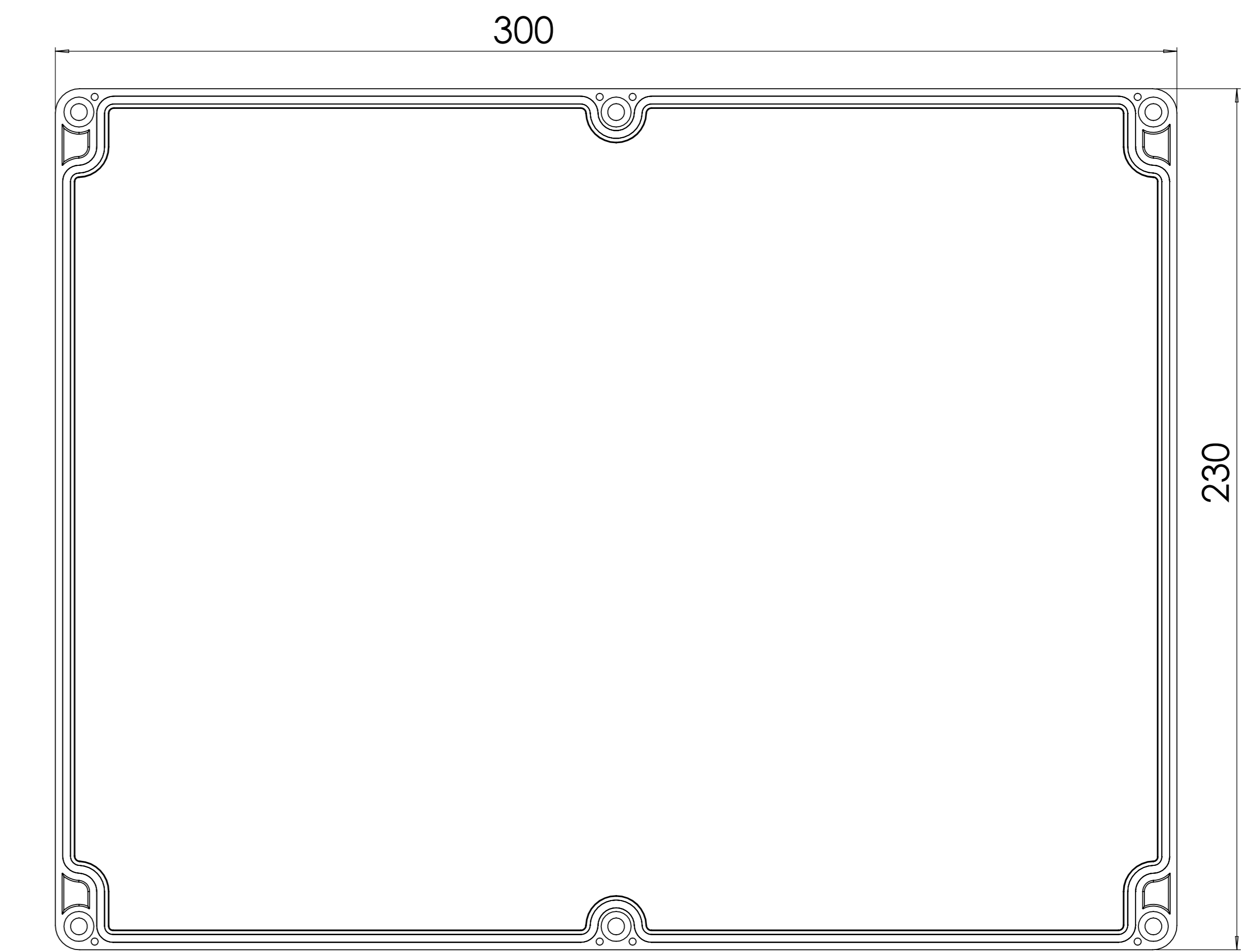
SURFACE-2



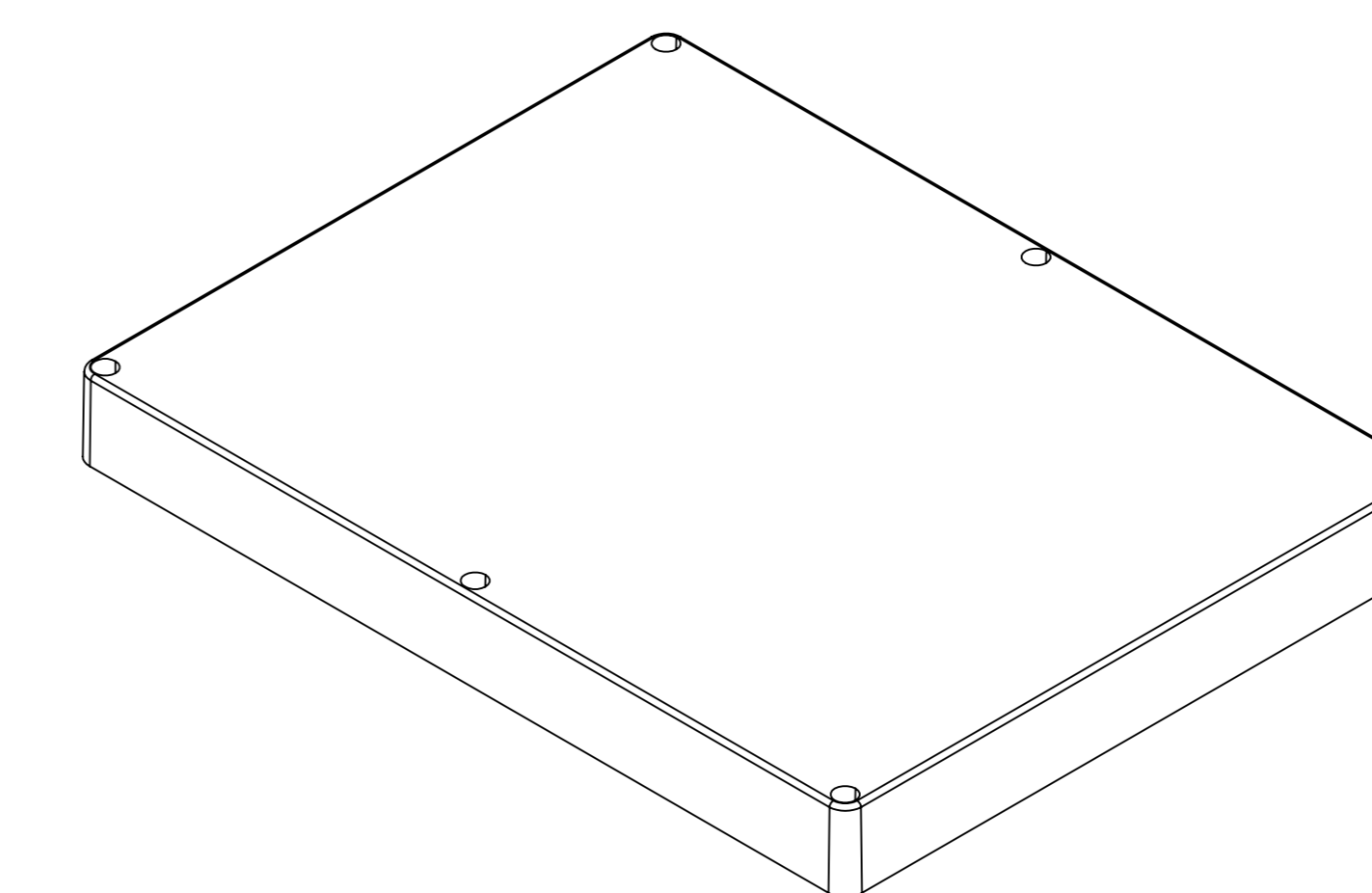
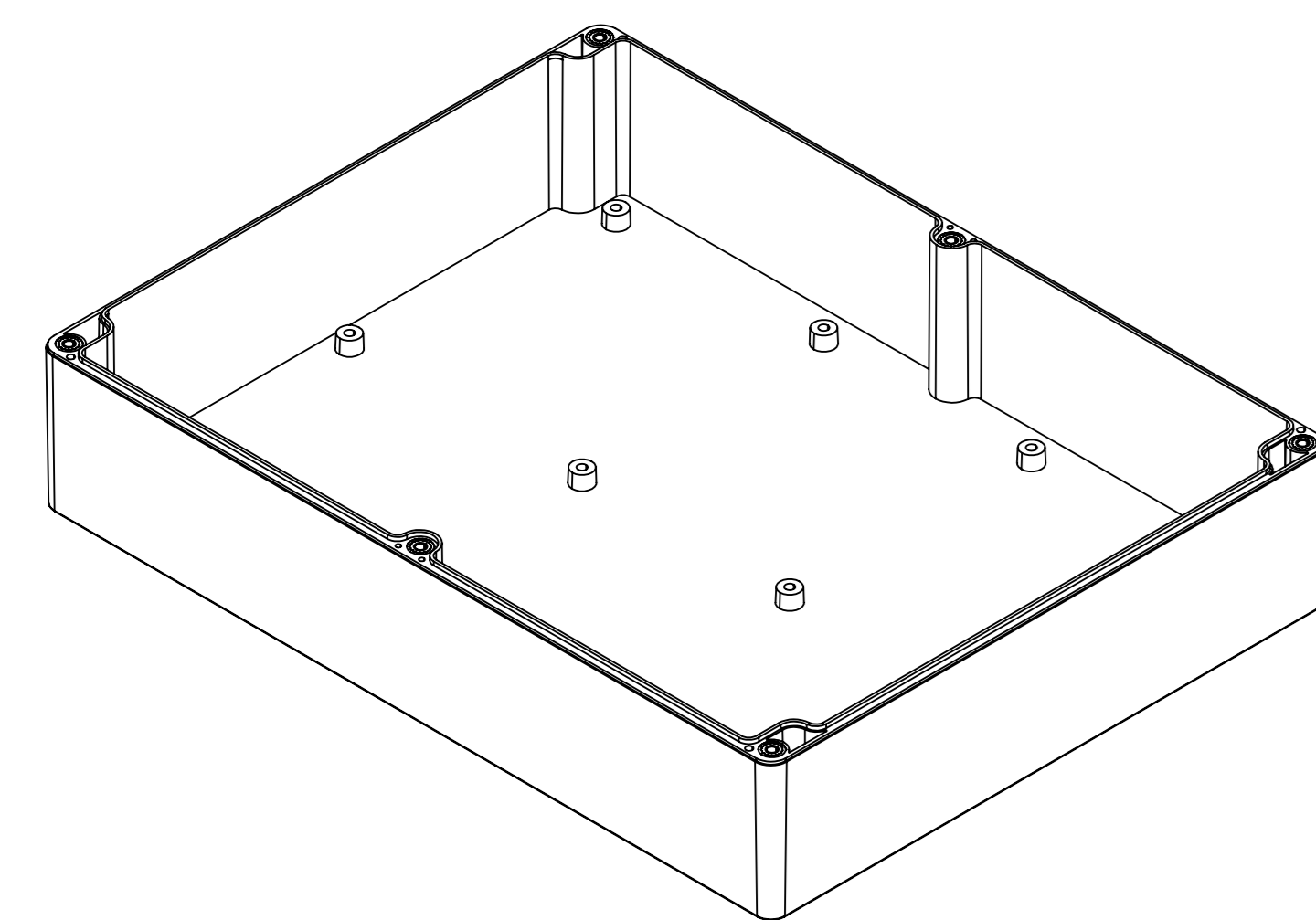
SURFACE-8




SURFACE-6 (INSIDE)

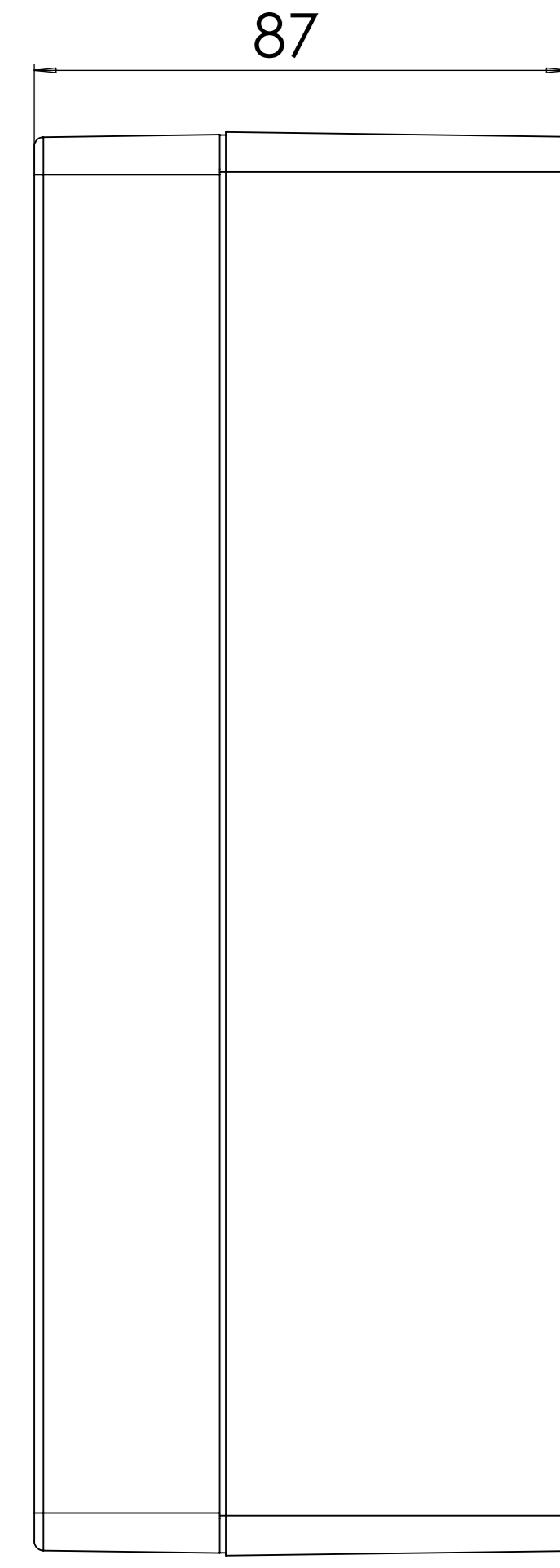


SURFACE-12 (INSIDE)

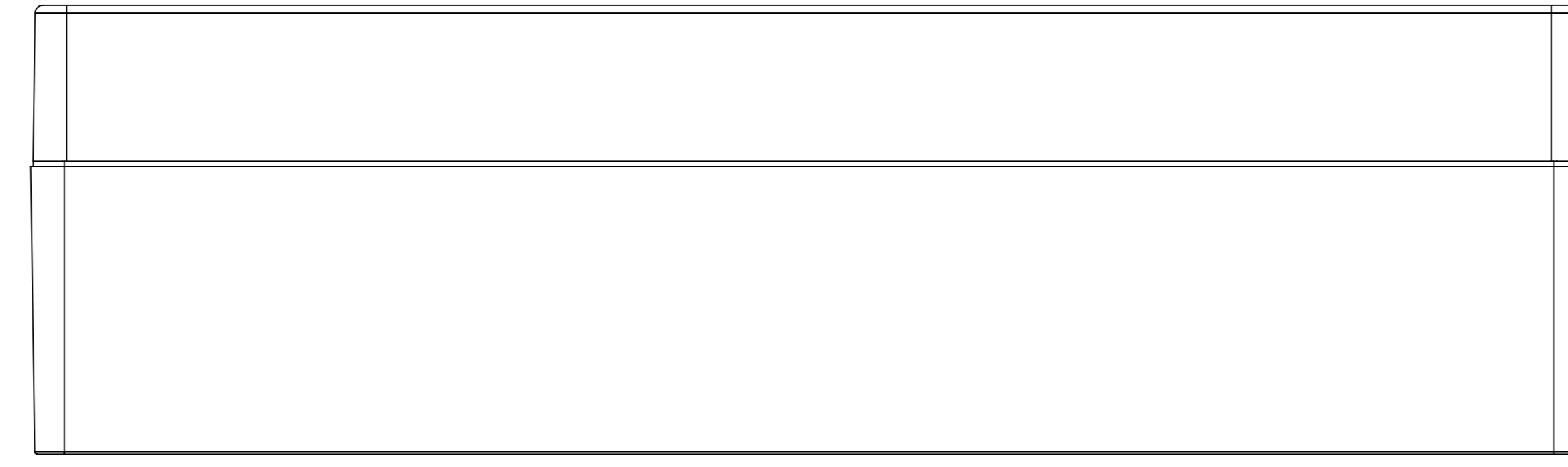


REV. NO	DATE	REVISED BY	DESCRIPTION OF CHANGE
 ALTINKAYA Electronic Enclosures & Components			
Customer Name :		Customer Ref. :	
Altinkaya Ref :		Part Name: SE-268-0-0	
DRAWN	NAME	DATE	Drawn From:
CHECKED	Y.YEL	28.06.2024	Material:
DIMENSIONAL TOLERANCES UNLESS OTHERWISE SPECIFIED (DIN7168)			Weight:
±0,1	±0,1	±0,2	±0,3
±0,5	±0,5	±0,5	±0,5
			UNIT: mm
			Dimension(mm)
			m (medium)

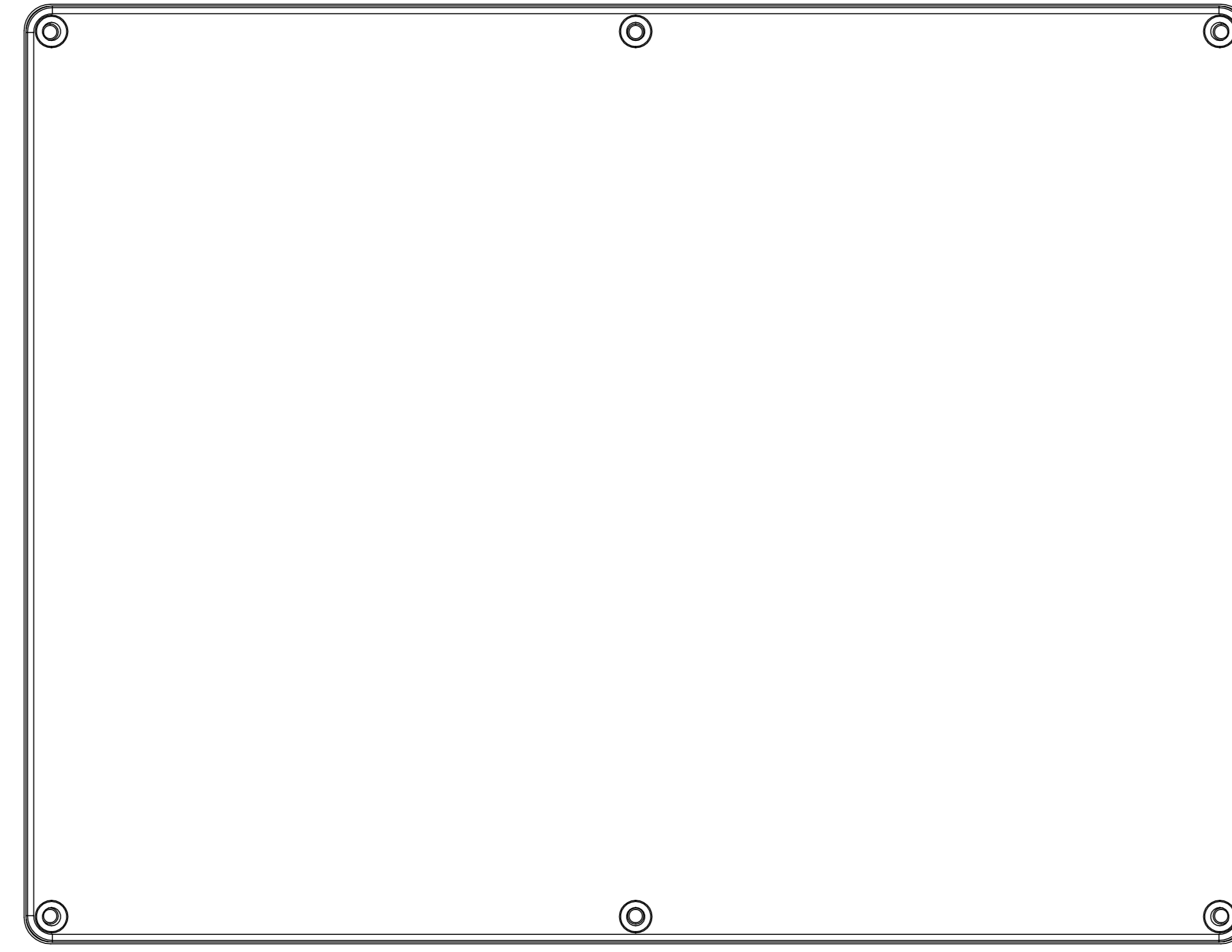
SE-268 IF MACHINED TOGETHER



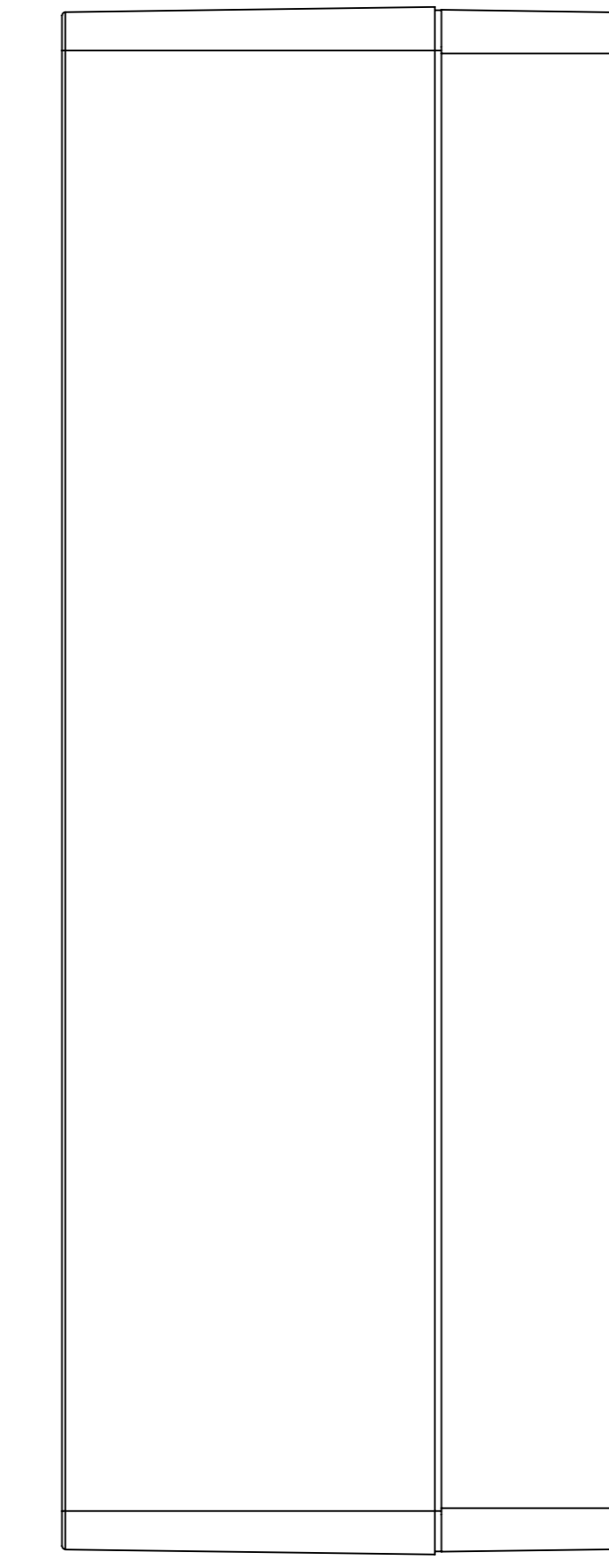
SURFACE-15



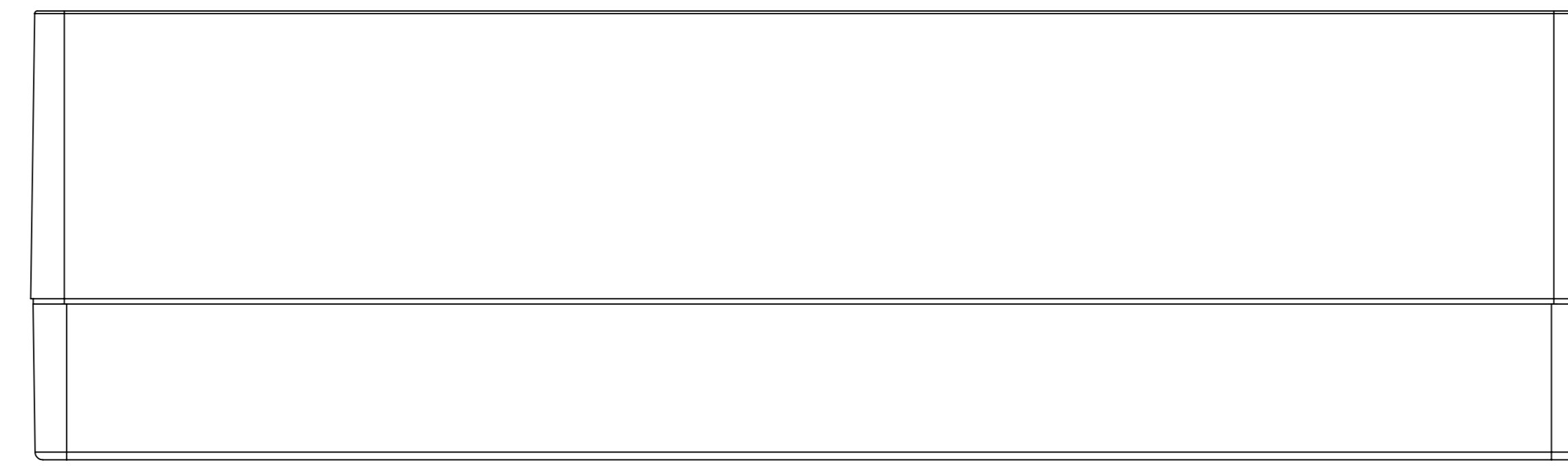
SURFACE-13



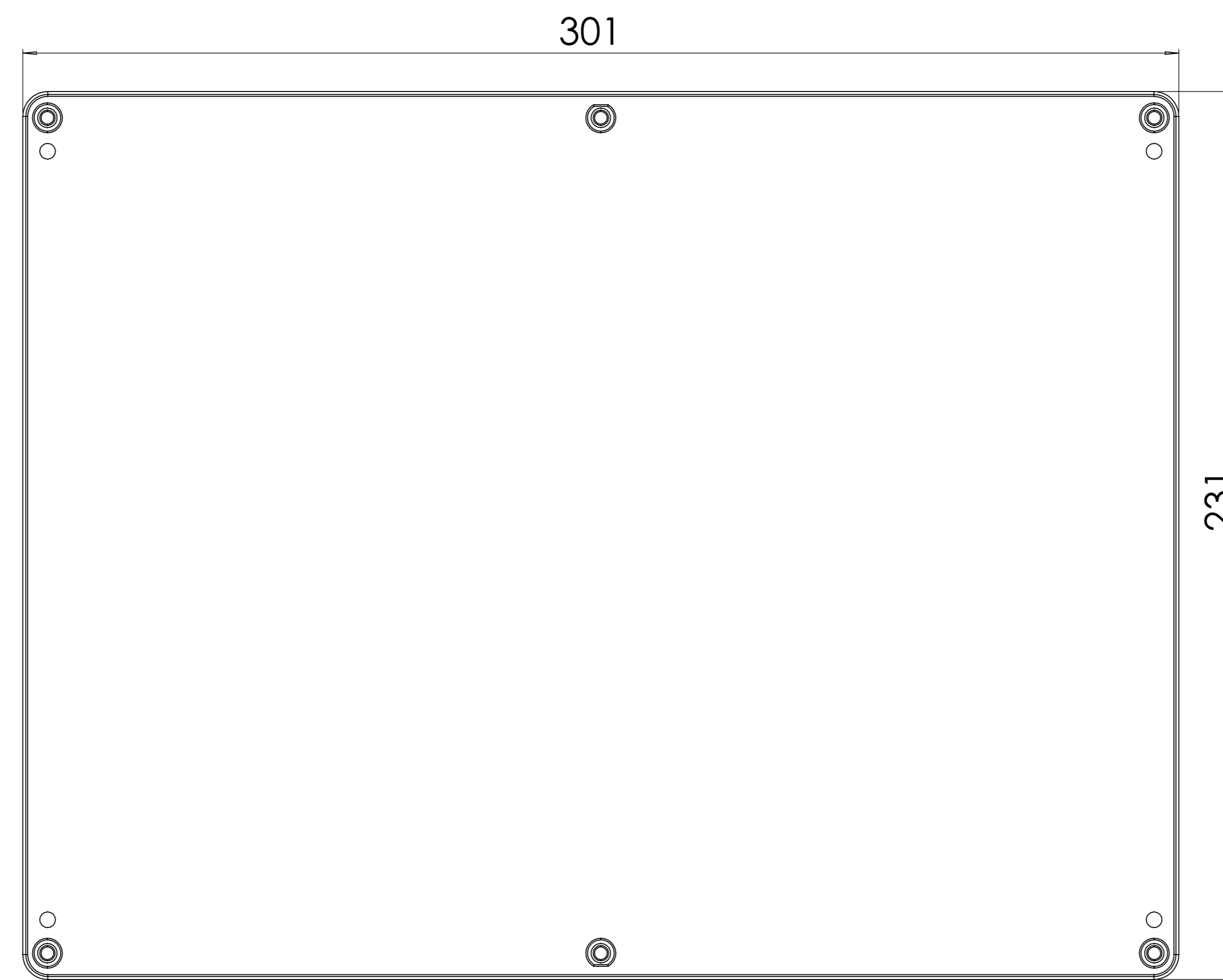
SURFACE-16



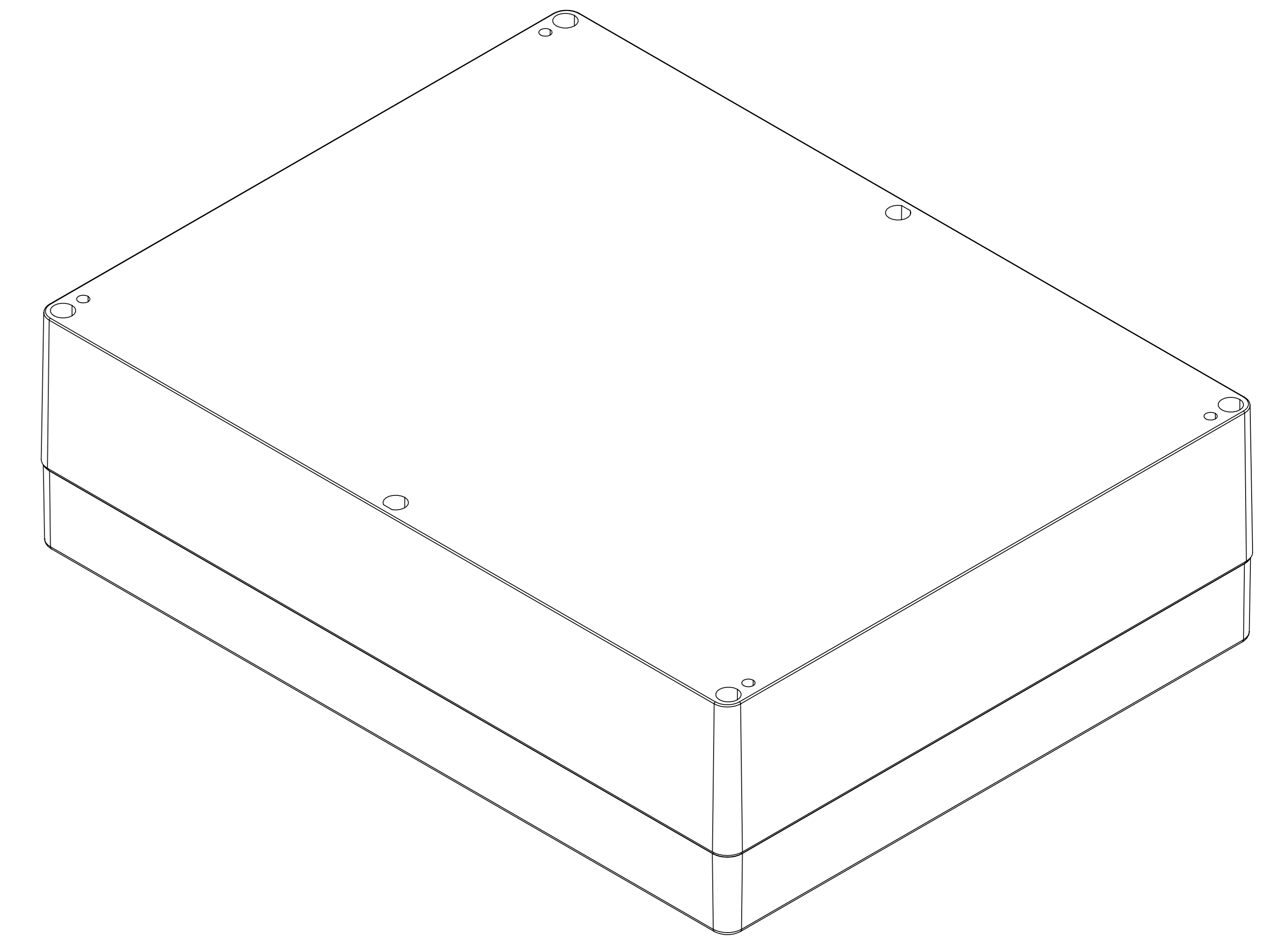
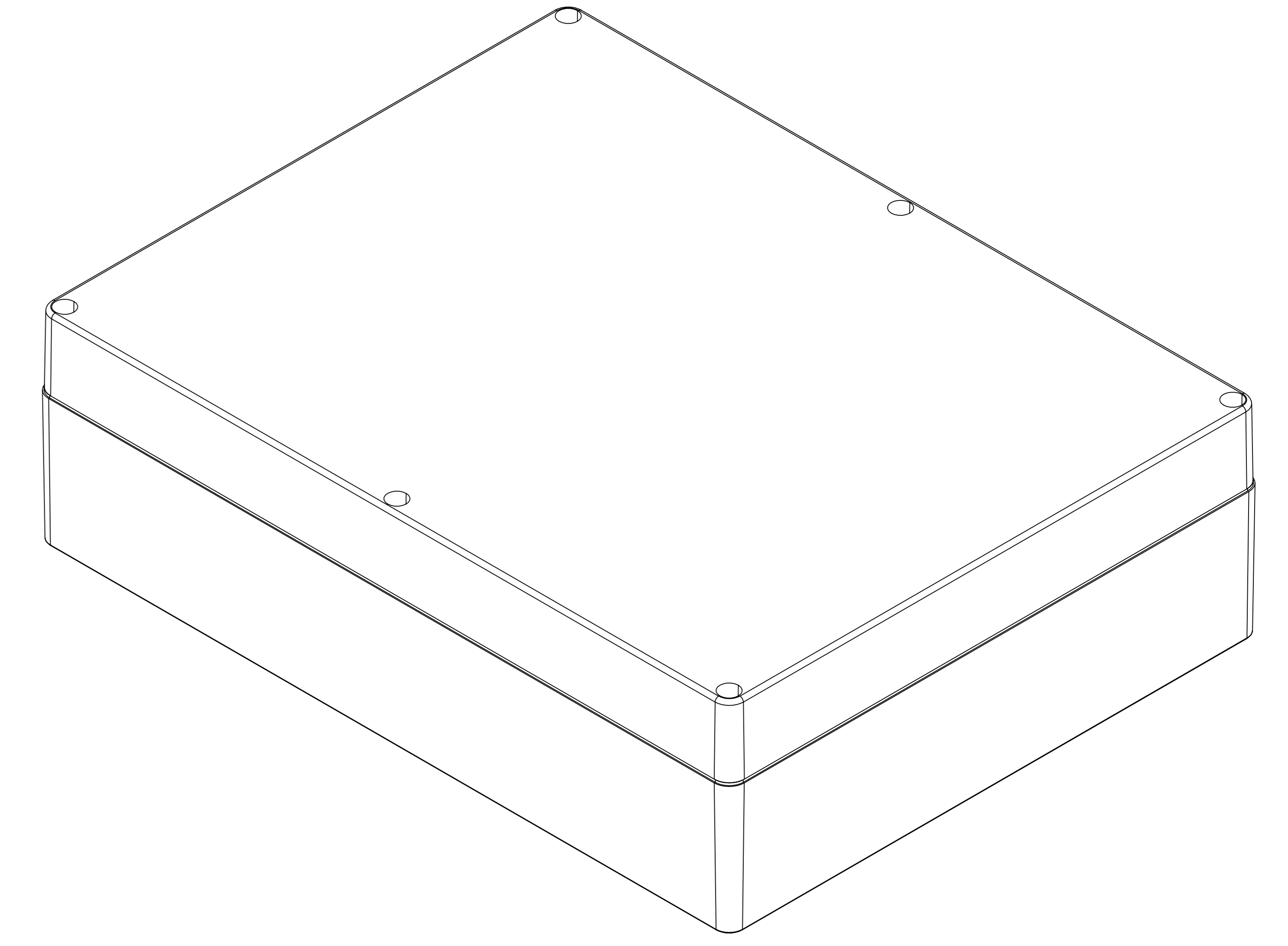
SURFACE-17



SURFACE-14



SURFACE-18



REV. NO	DATE	REVISED BY	DESCRIPTION OF CHANGE
 ALTINKAYA Electronic Enclosures & Components			www.altinkaya.com
Customer Name :		Customer Ref. :	
Altinkaya Ref :		Part Name: SE-268-0-0	
DRAWN	NAME	DATE	Drawn From:
CHECKED	Y.YEL	28.06.2024	Material:
Weight:			UNIT: mm
DIMENSIONAL TOLERANCES UNLESS OTHERWISE SPECIFIED (DIN7168)			Dimension(mm)
	±0,1	±0,1	±0,2 ±0,3 ±0,5
	0,5-3mm	3-6mm	6-30mm 30-120mm 120-400mm