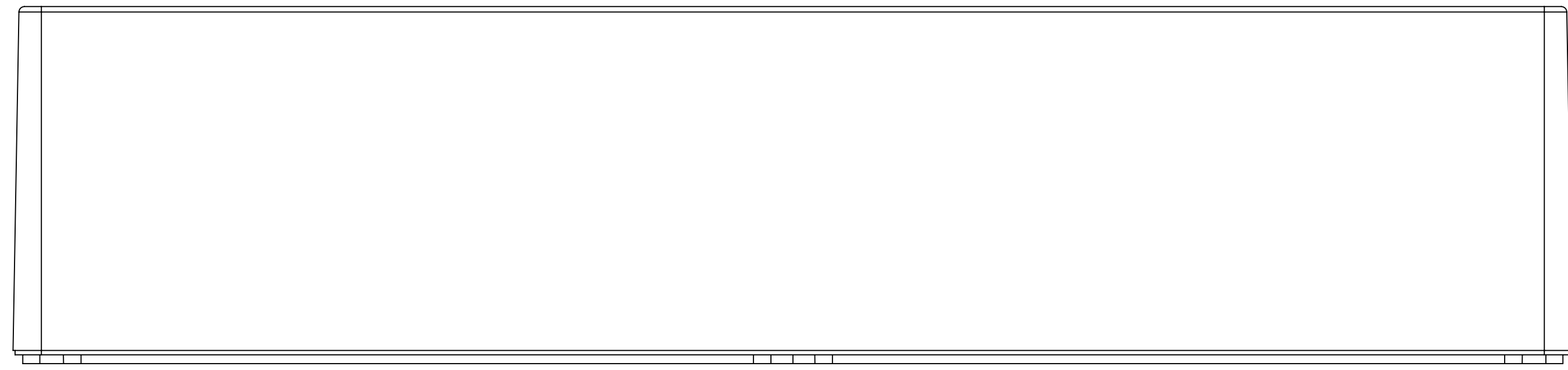
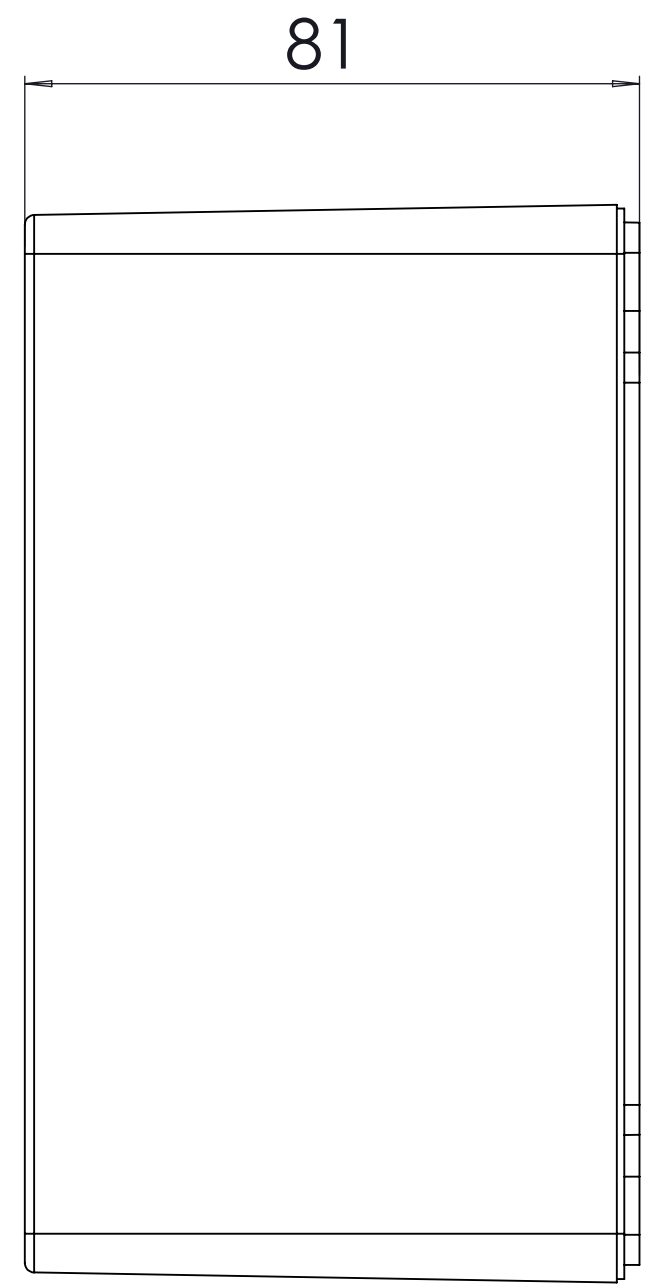


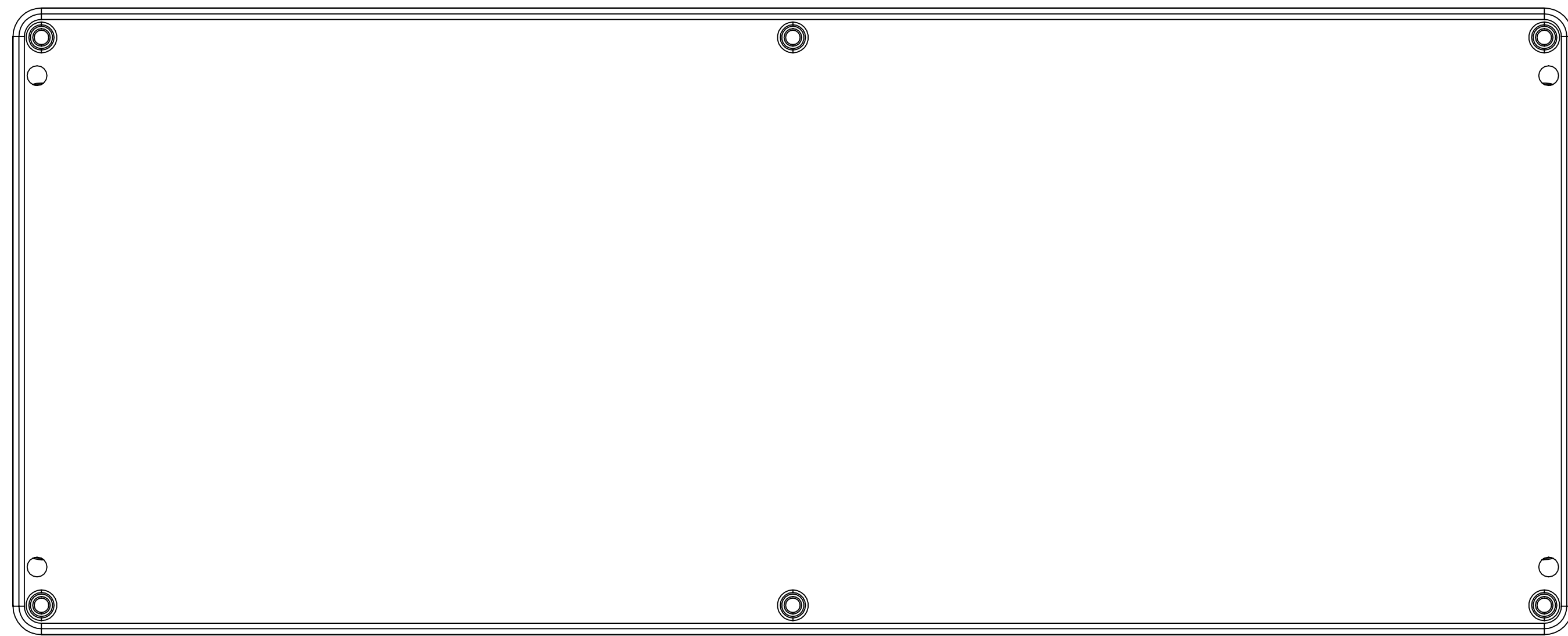
BASE: 6 SURFACE



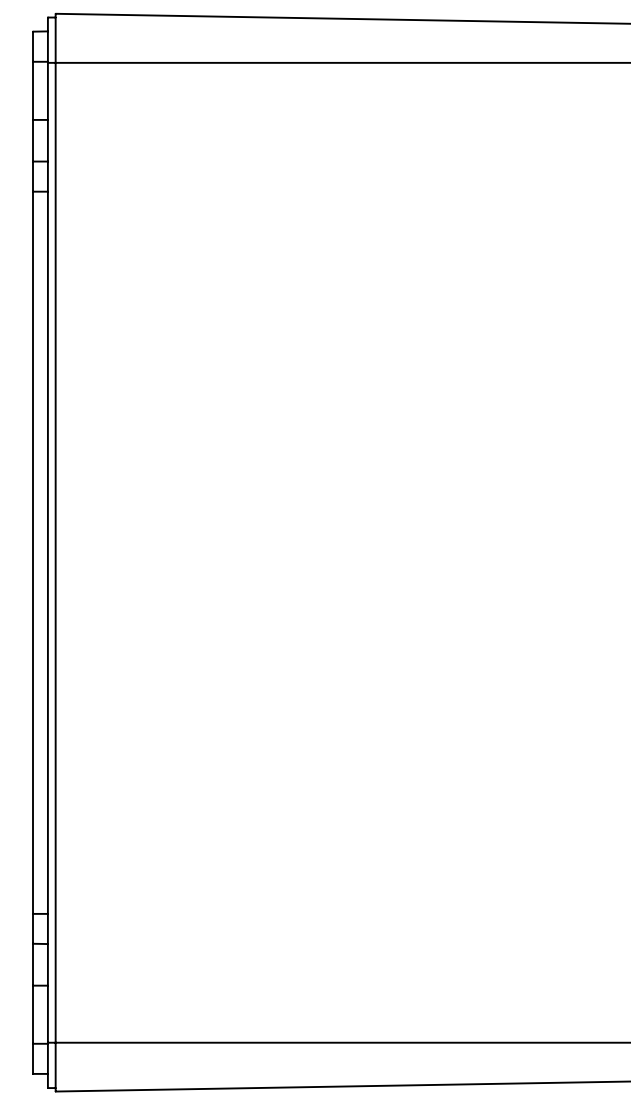
SURFACE-1



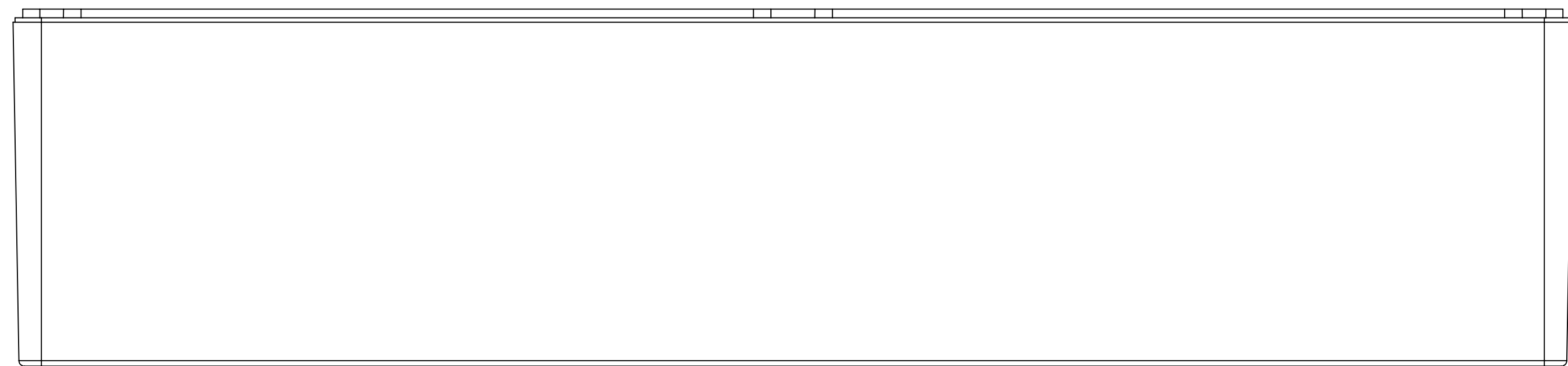
SURFACE-3



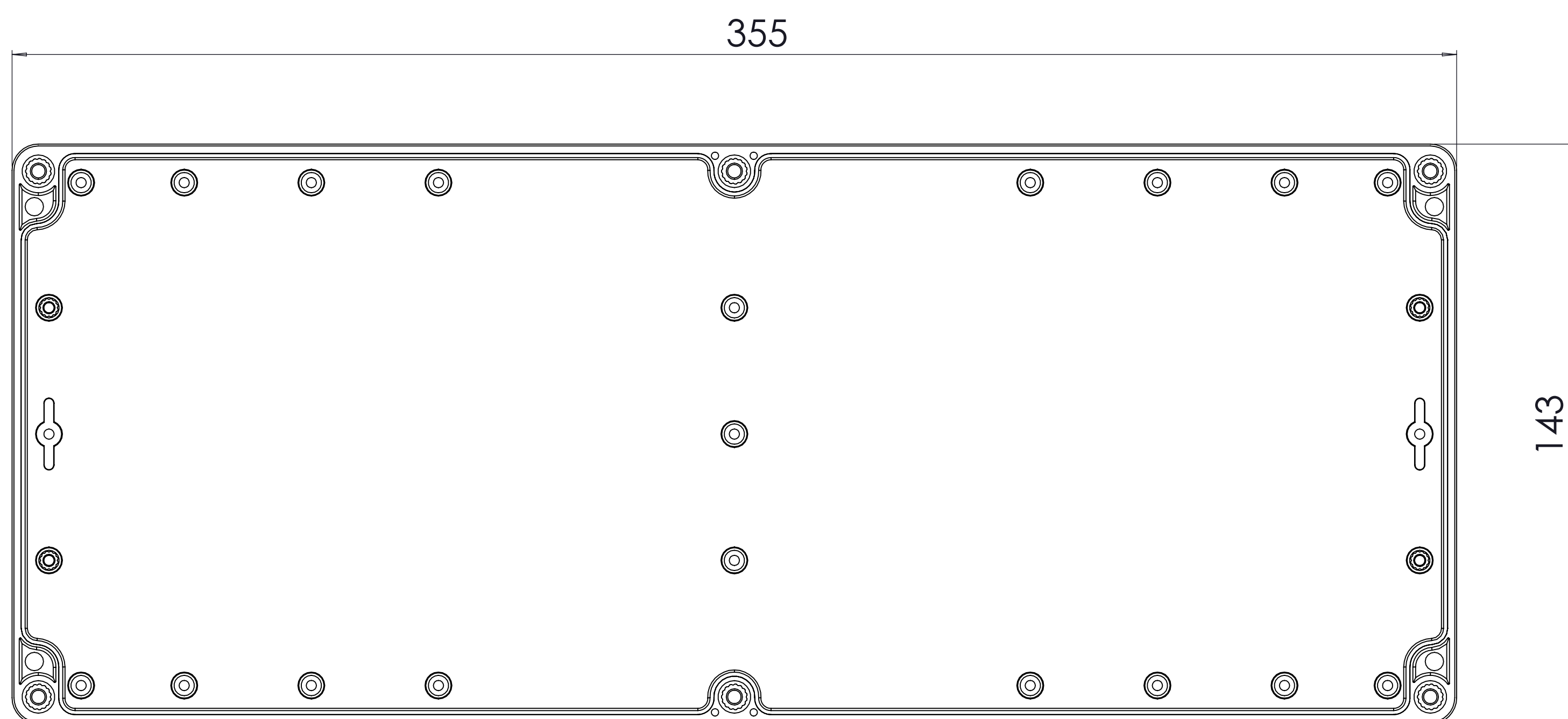
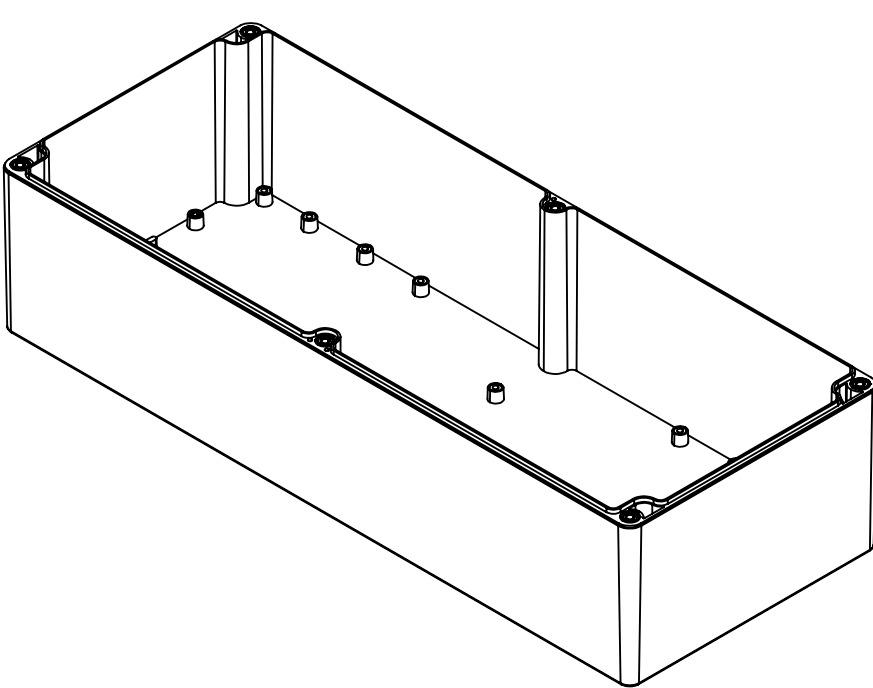
SURFACE-5



SURFACE-4

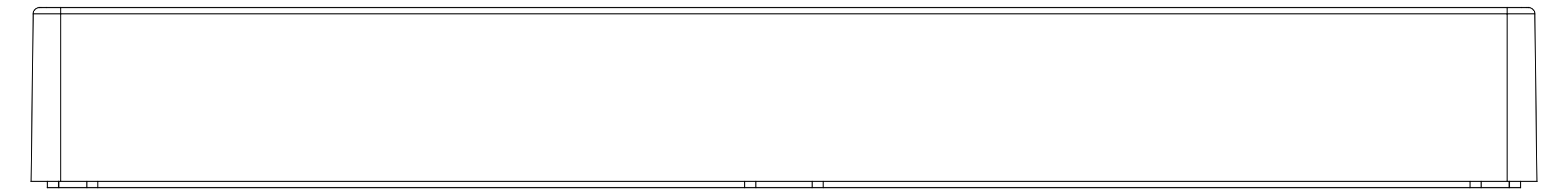


SURFACE-2

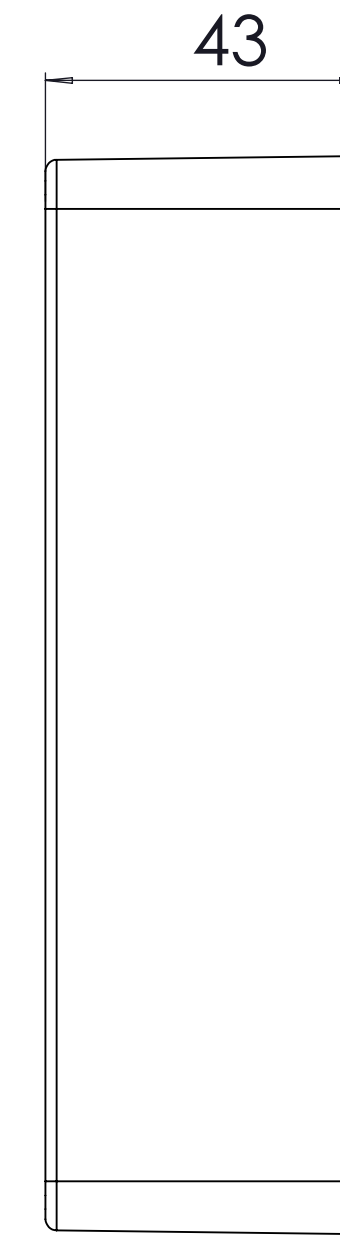


SURFACE-6 (INSIDE)

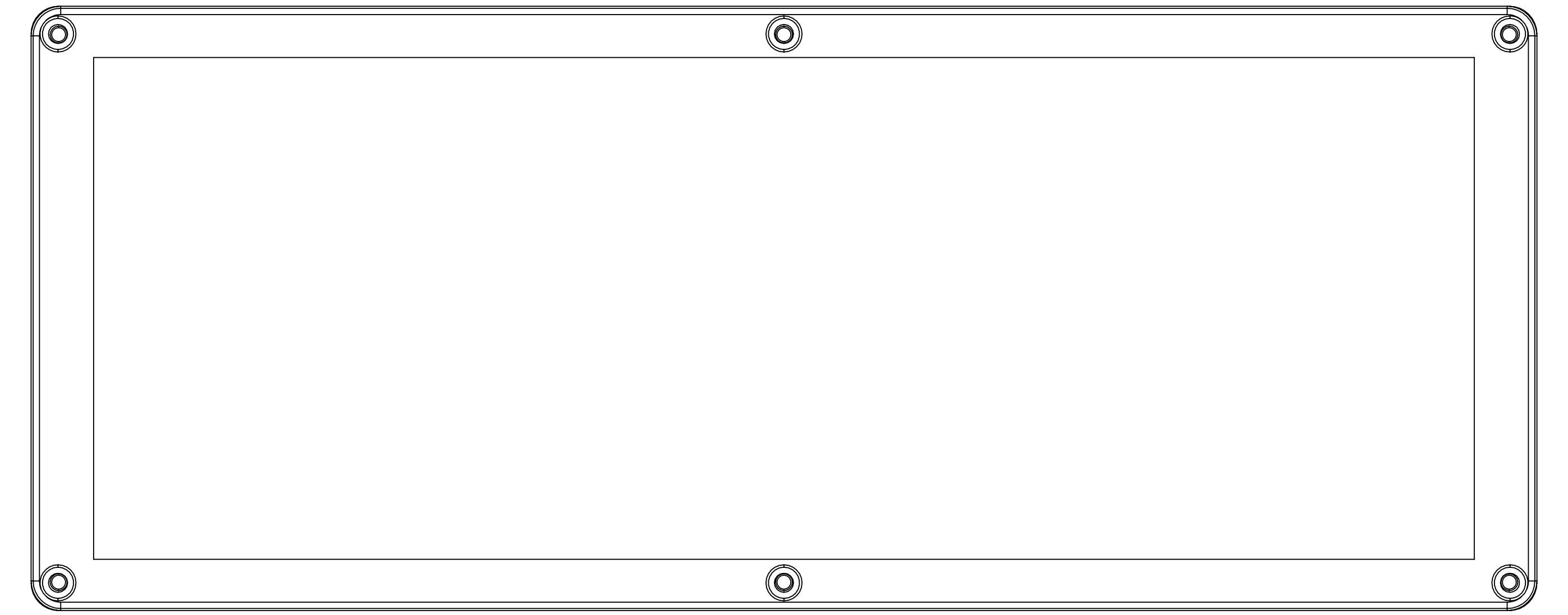
COVER: 6 SURFACE



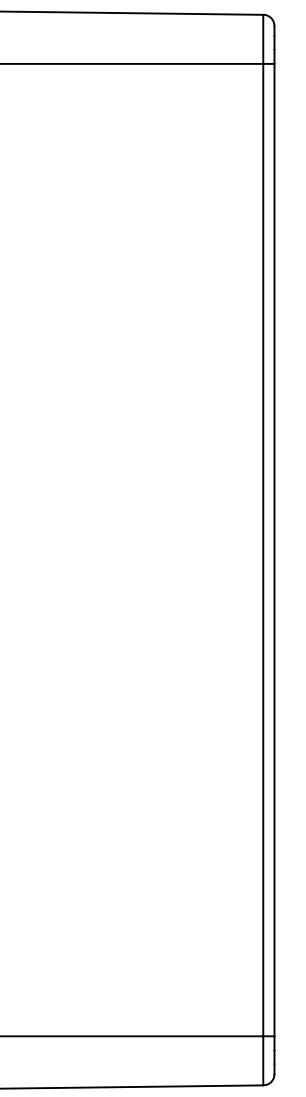
SURFACE-7



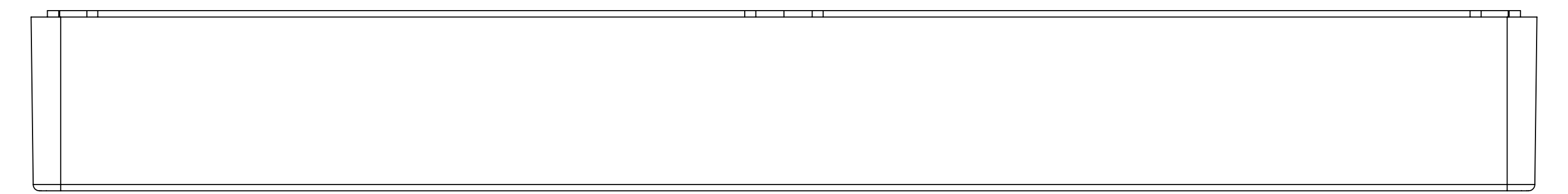
SURFACE-9



SURFACE-11



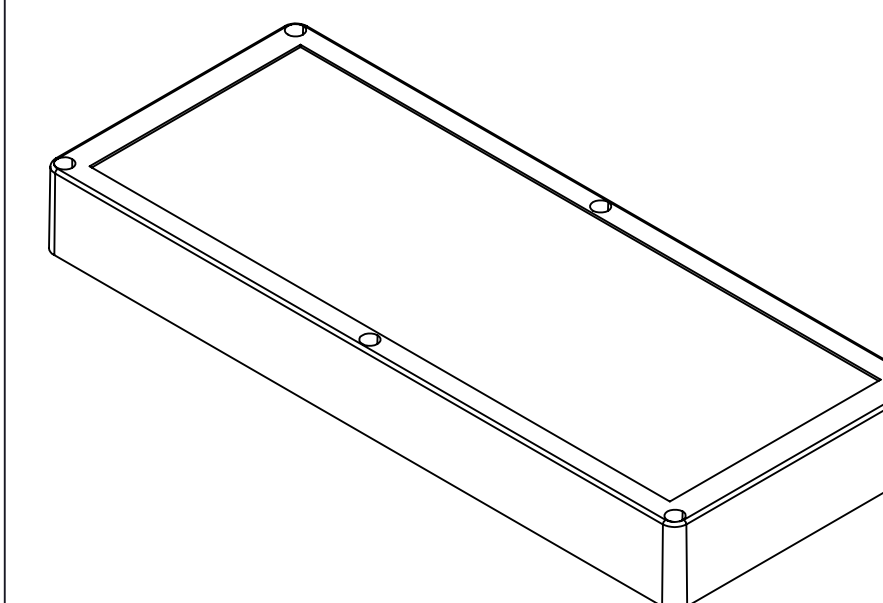
SURFACE-10



SURFACE-8



SURFACE-12 (INSIDE)

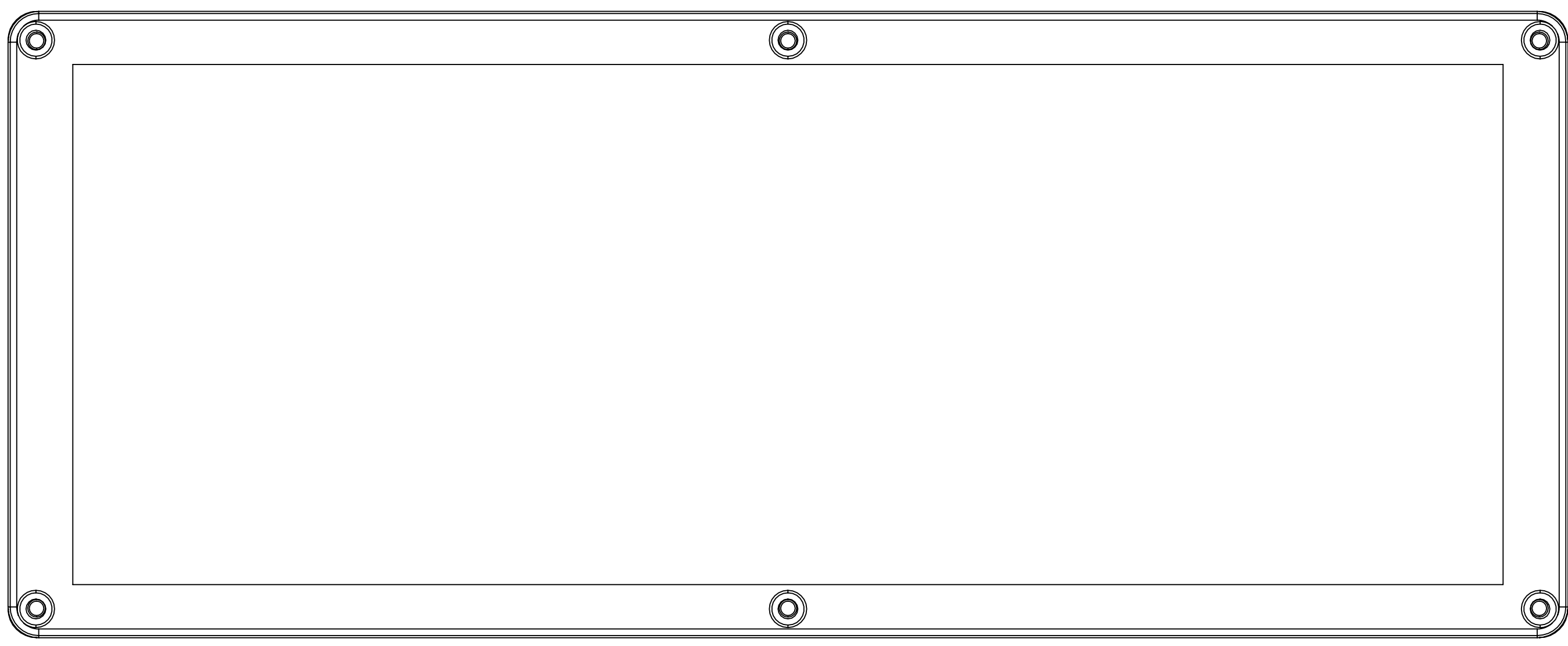


REV. NO	DATE	REVISED BY	DESCRIPTION OF CHANGE	
			ALTINKAYA Electronic Enclosures & Components	
			www.altinkaya.com	
Customer Name:		Customer Ref.:		
Altinkaya Ref.:		Part Name: SE-266-0-0		
DRAWN	NAME	DATE	Drawn From:	SCALE 1:1
	S.YESILOZ	21.06.2024		SHEET 1 OF 2
CHECKED	Y.YEL	21.06.2024	Weight:	UNIT: mm
DIMENSIONAL TOLERANCES UNLESS OTHERWISE SPECIFIED (DIN7168)		0.5-3mm	3-6mm	6-30mm
		±0.1	±0.1	±0.2
				±0.3
				±0.5
				m (Medium)
				AO

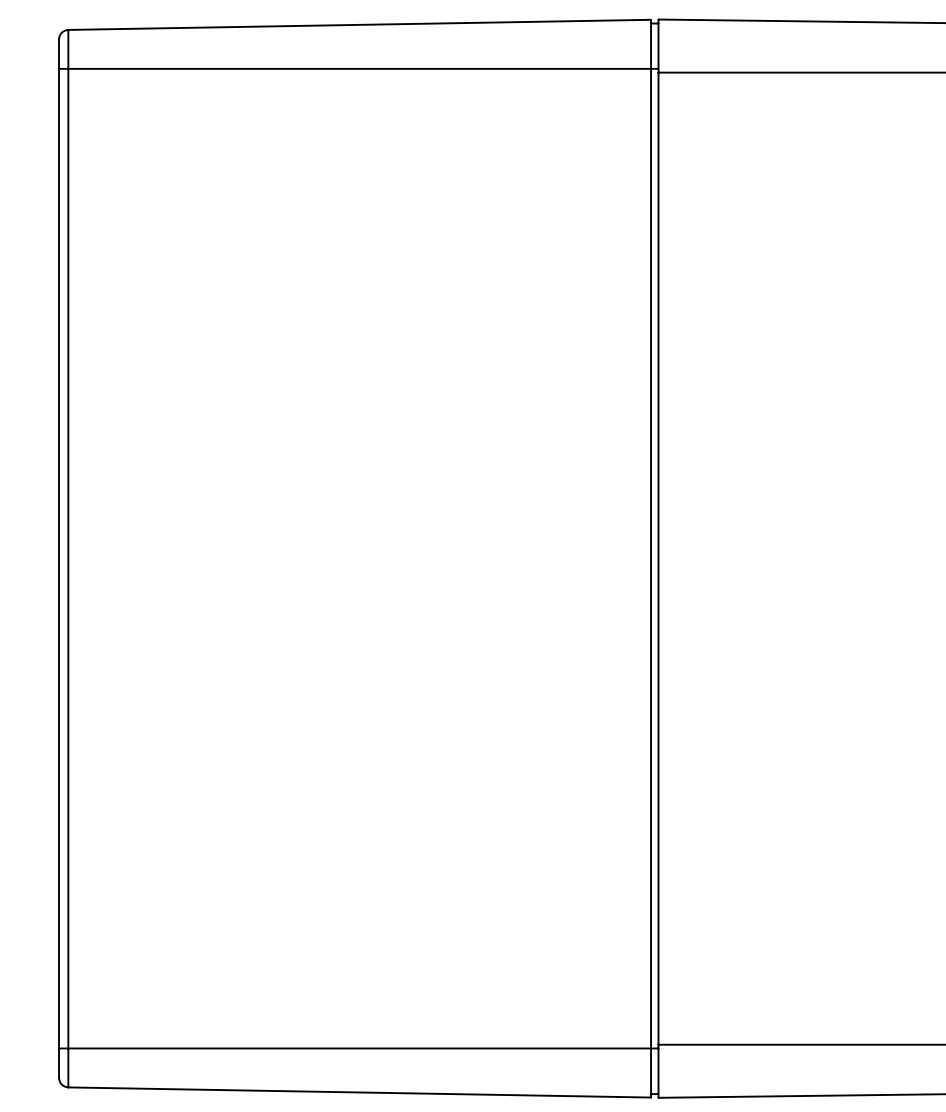
SE-266 IF MACHINED TOGETHER



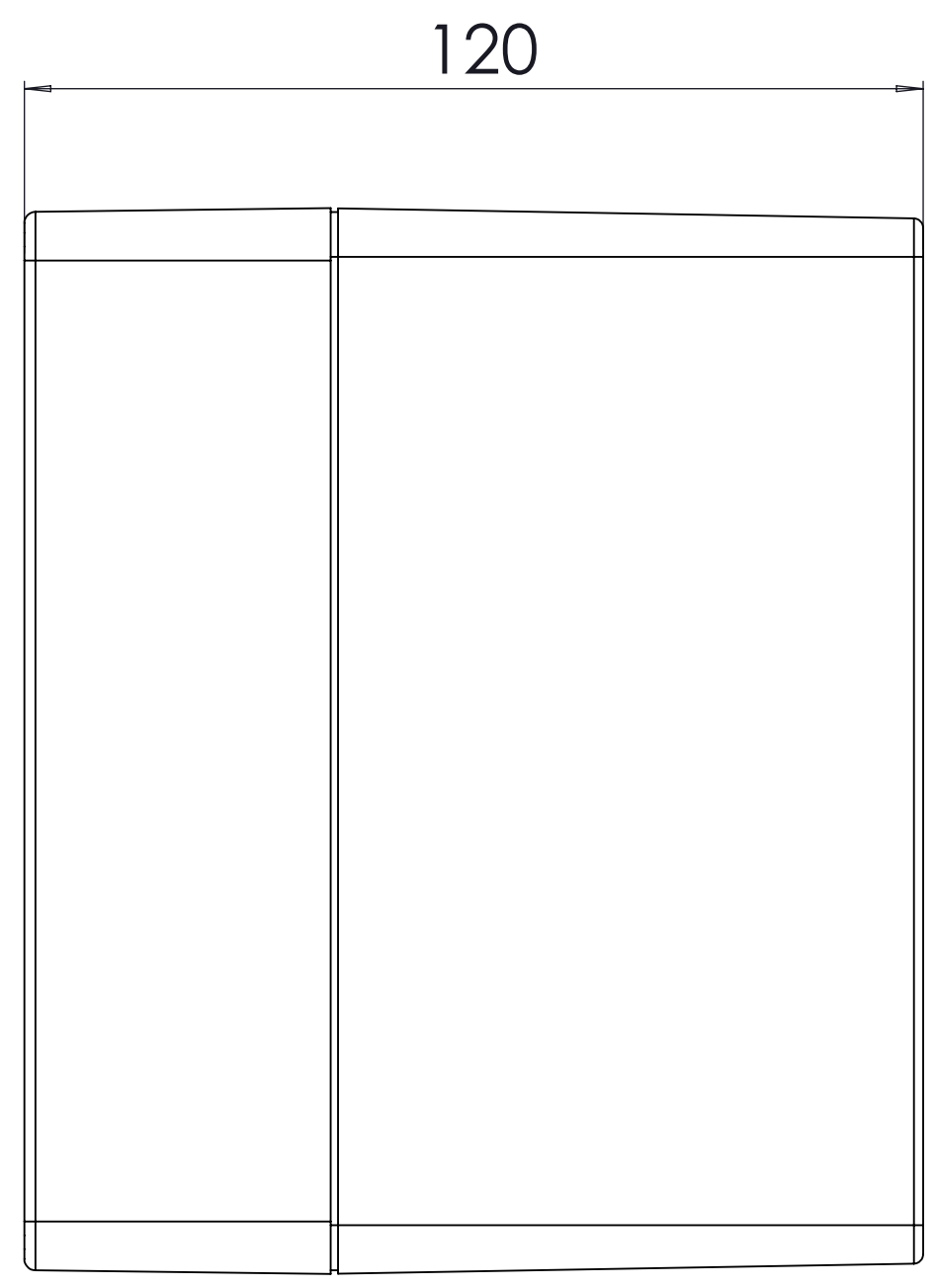
SURFACE-13



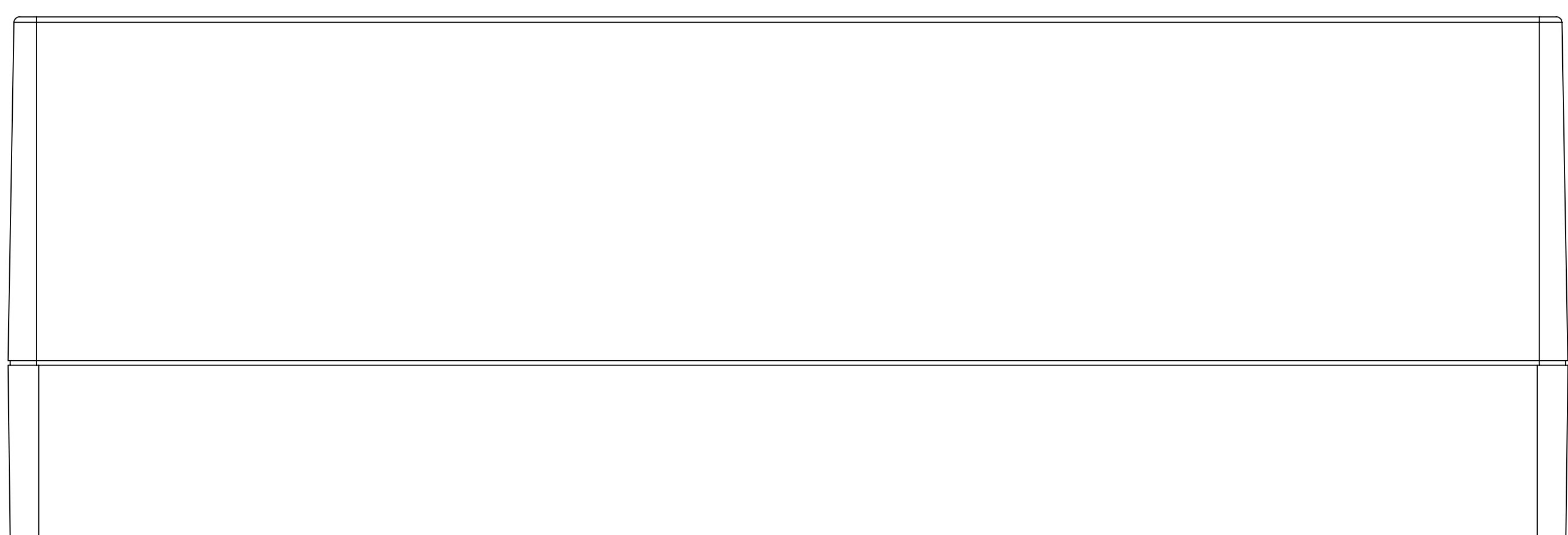
SURFACE-17



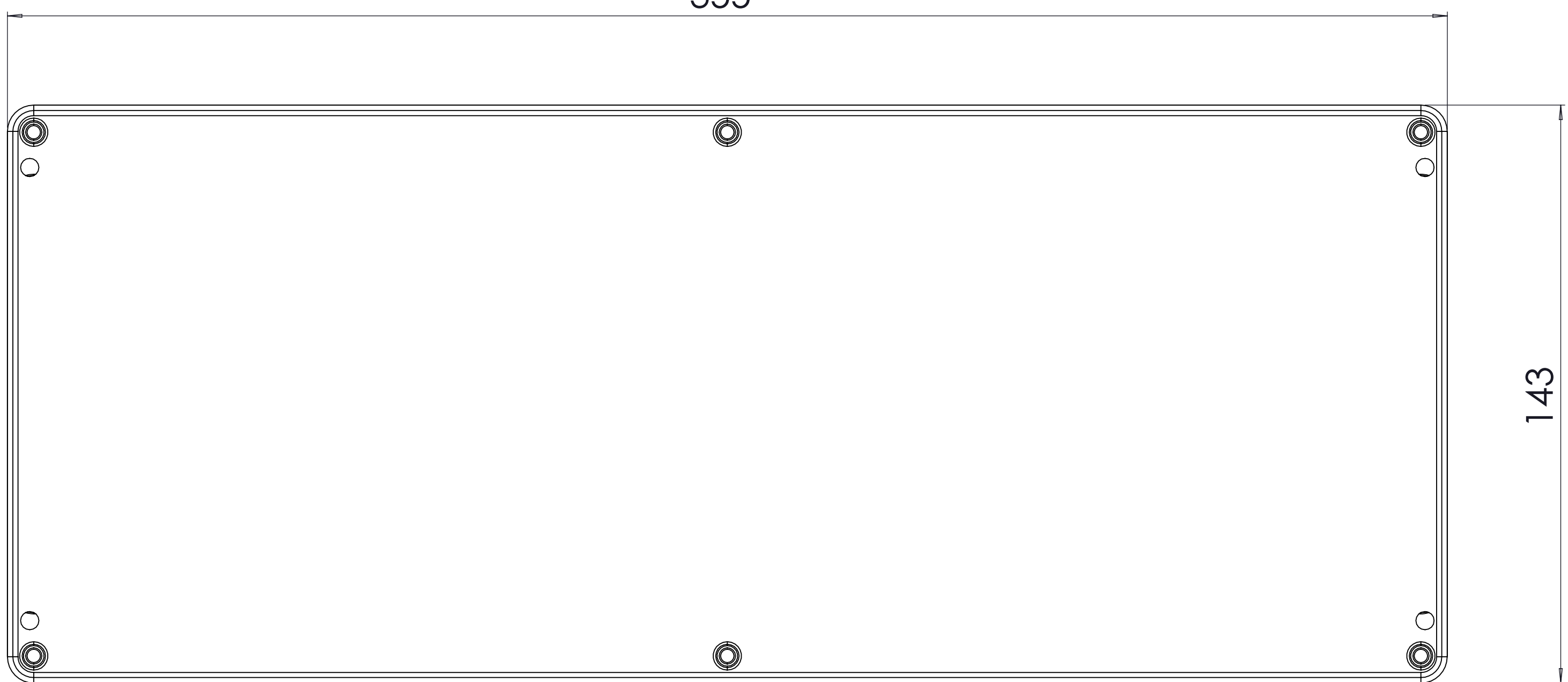
SURFACE-16



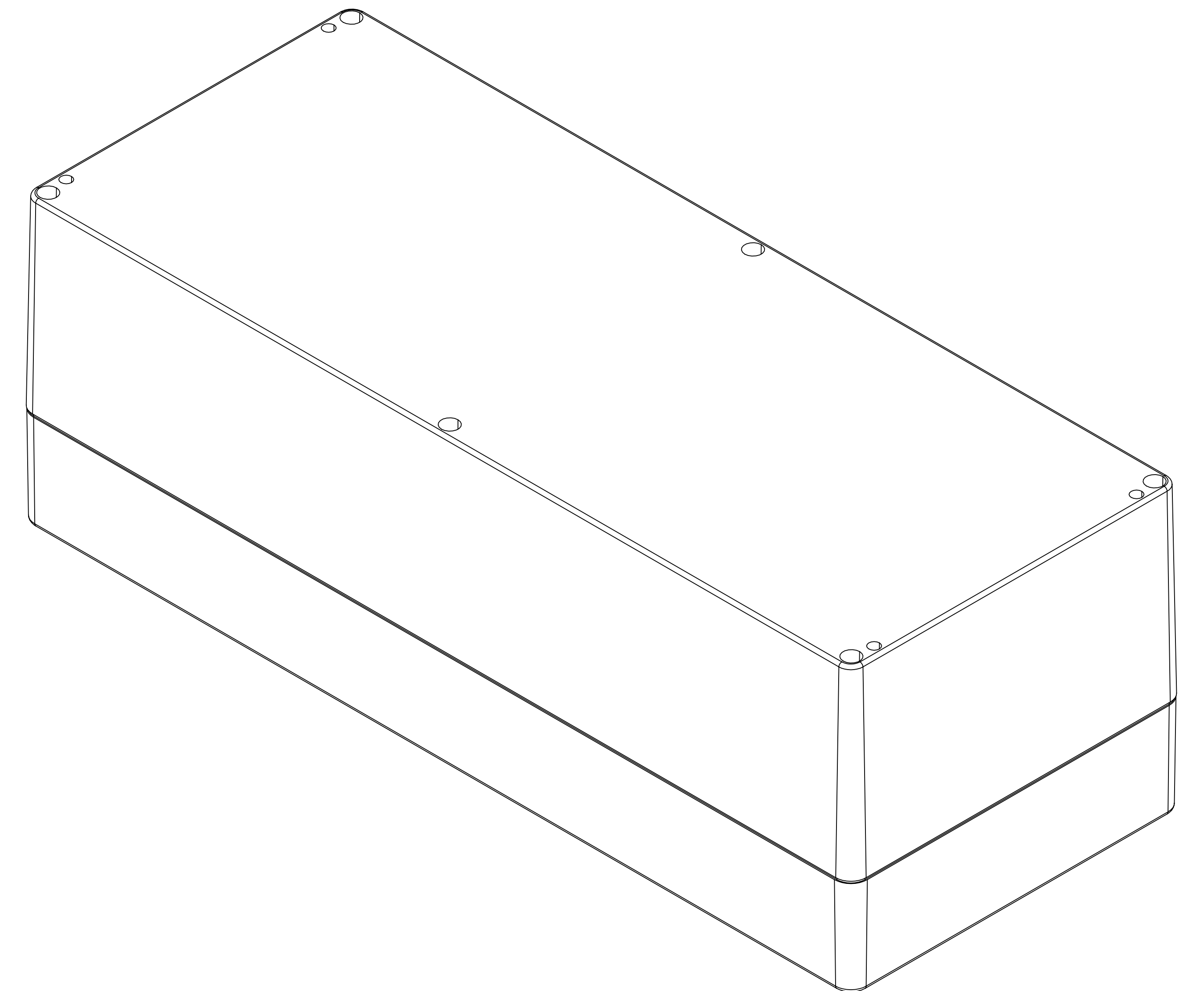
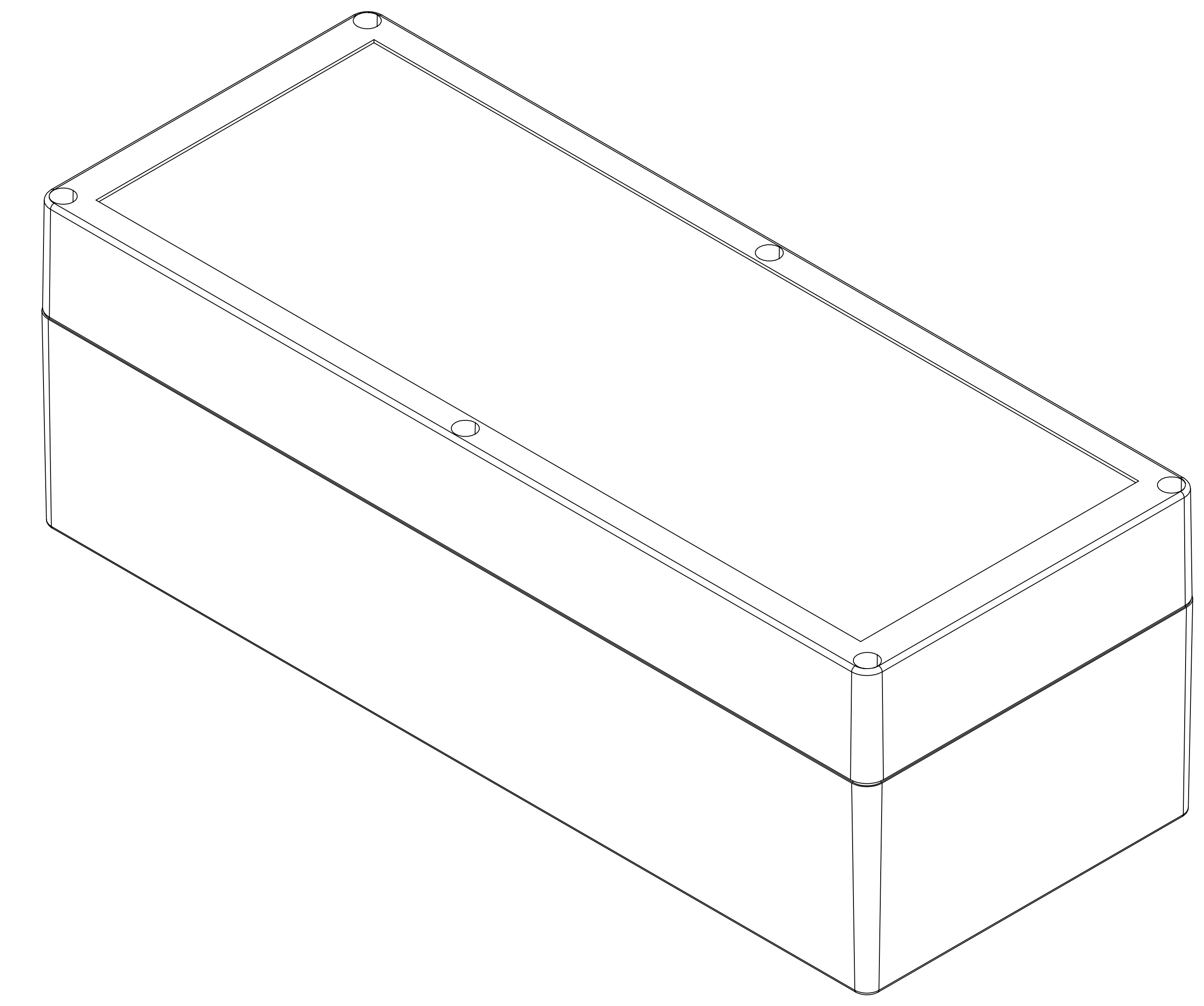
SURFACE-15




SURFACE-14



SURFACE-18



REV. NO	DATE	REVISED BY	DESCRIPTION OF CHANGE			
 ALTINKAYA Electronic Enclosures & Components			www.altinkaya.com			
Customer Name:		Customer Ref.:				
Altinkaya Ref.:		Part Name: SE-266-0-0				
DRAWN	NAME	DATE	Drawn From:		SCALE 1:1	
CHECKED	Y.YEL	21.06.2024	Material:		SHEET 2 OF 2	
DIMENSIONAL TOLERANCES UNLESS OTHERWISE SPECIFIED (DIN7168)			0.5-3mm	3-6mm	6-30mm	
			±0.1	±0.1	±0.2	
			±0.2	±0.3	±0.5	
			30-120mm		120-400mm	
			m (Medium)		UNIT: mm	
					AO	