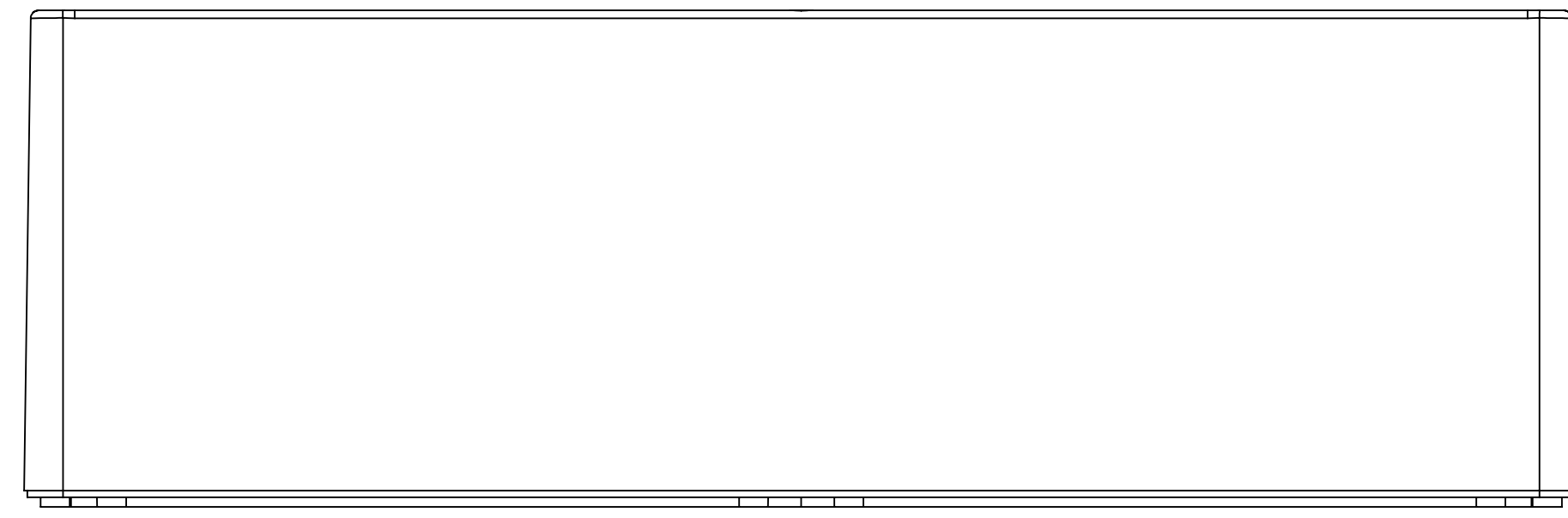
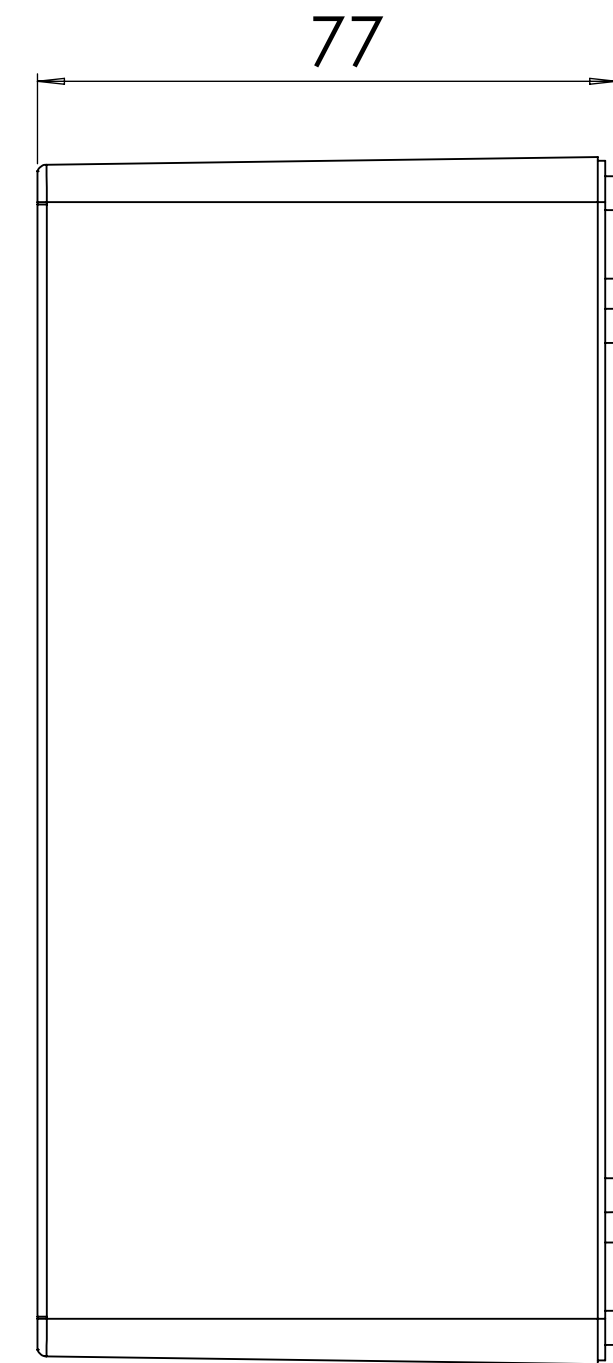


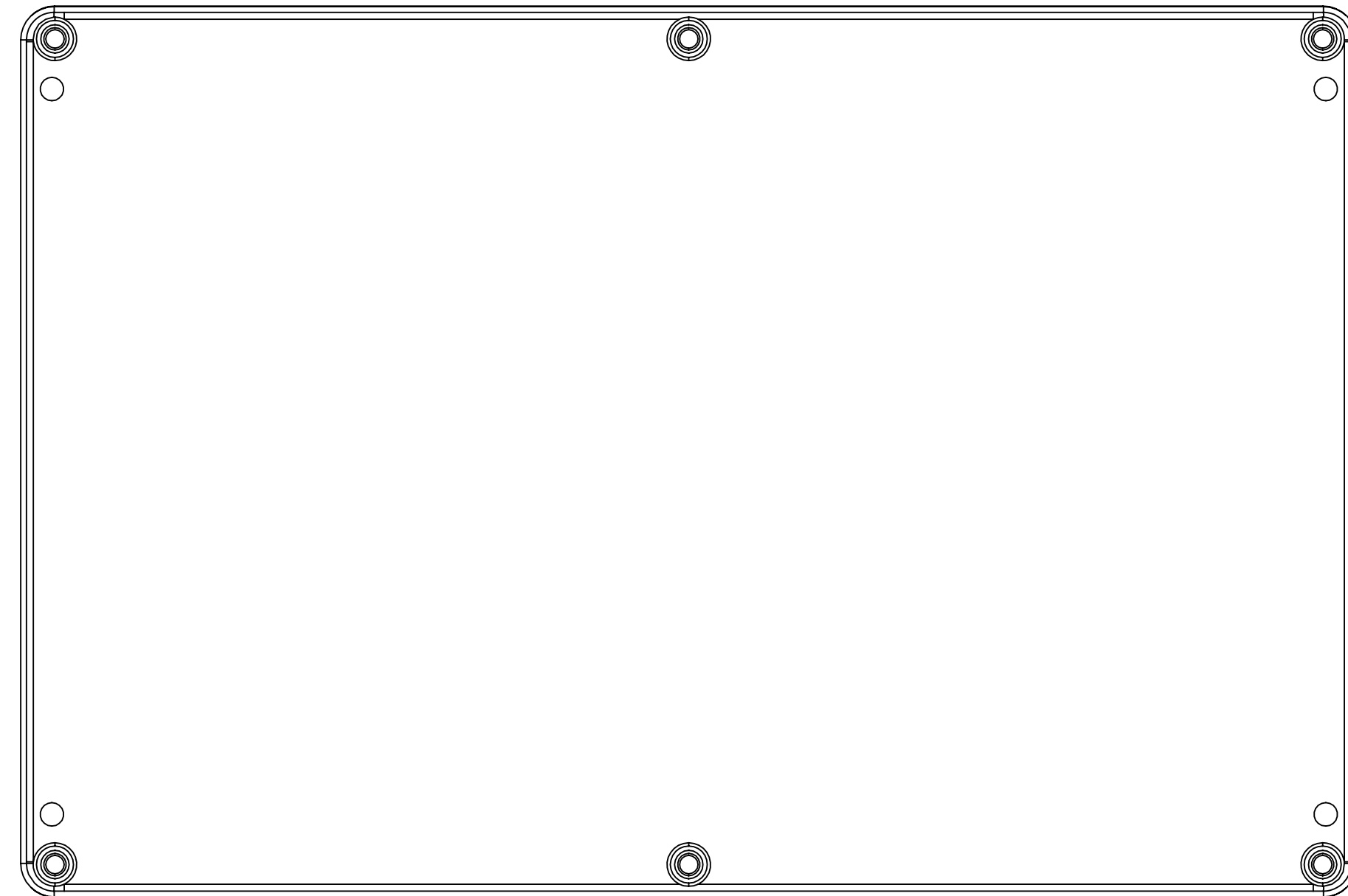
BASE: 6 SURFACE



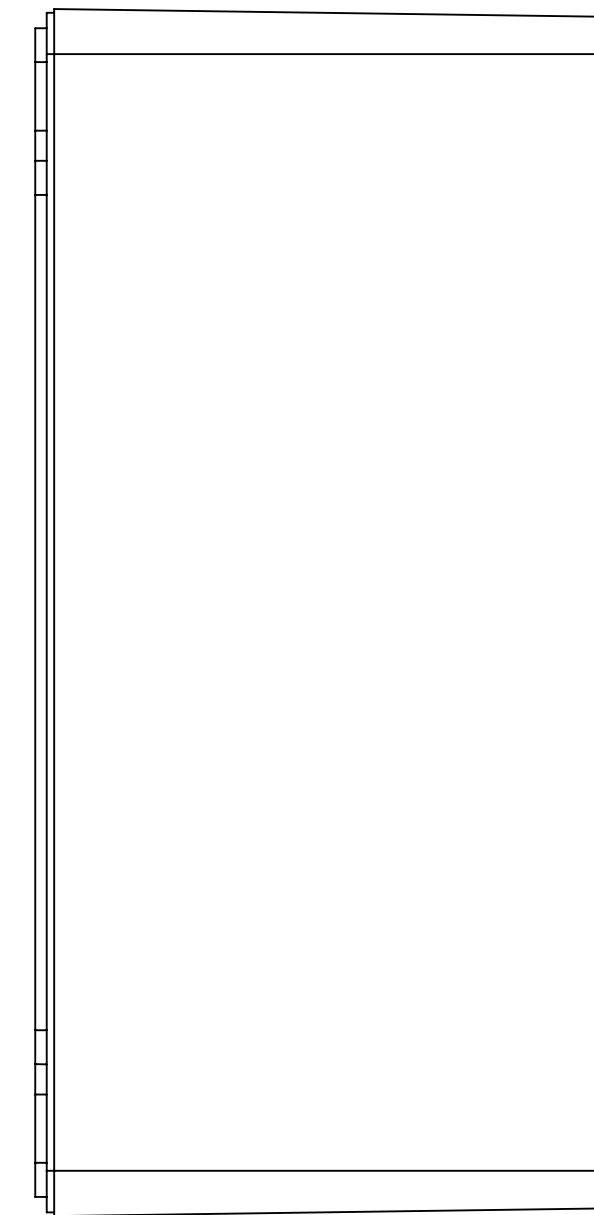
SURFACE-1



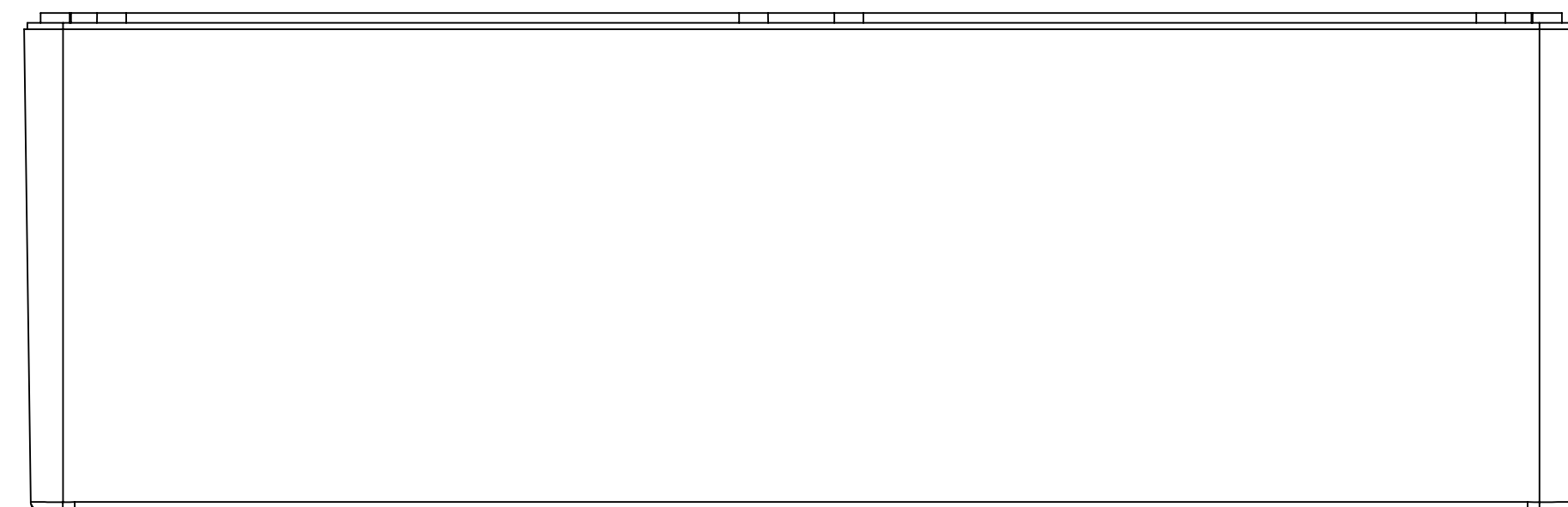
SURFACE-3



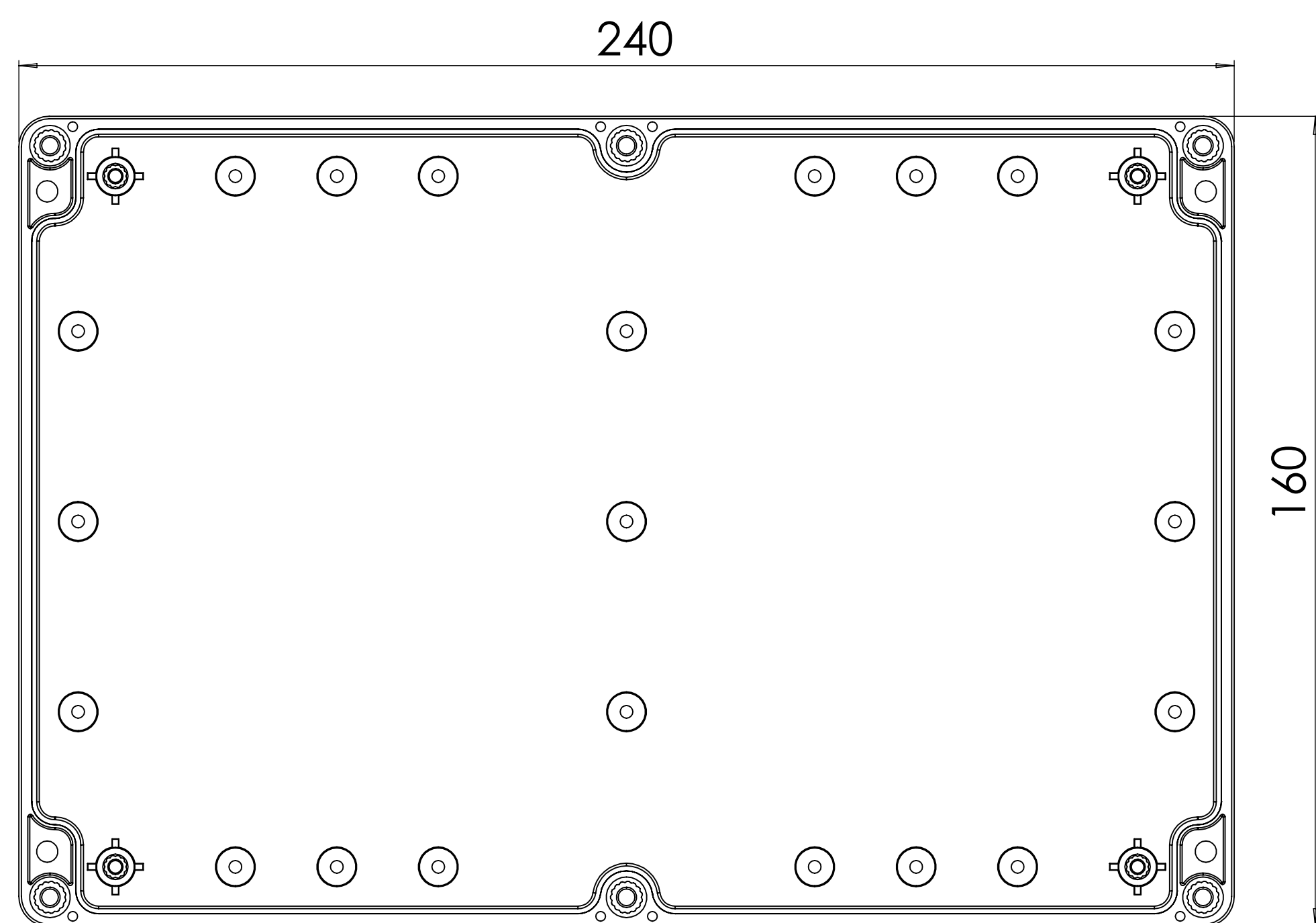
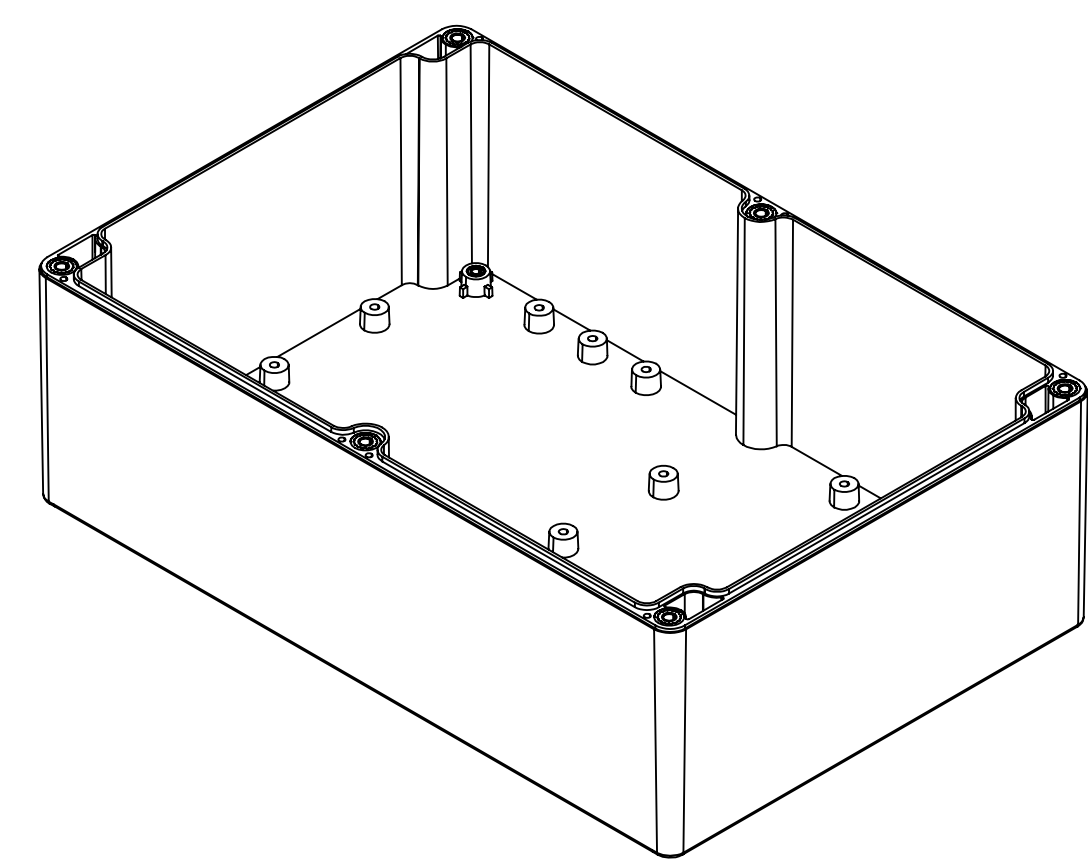
SURFACE-5



SURFACE-4

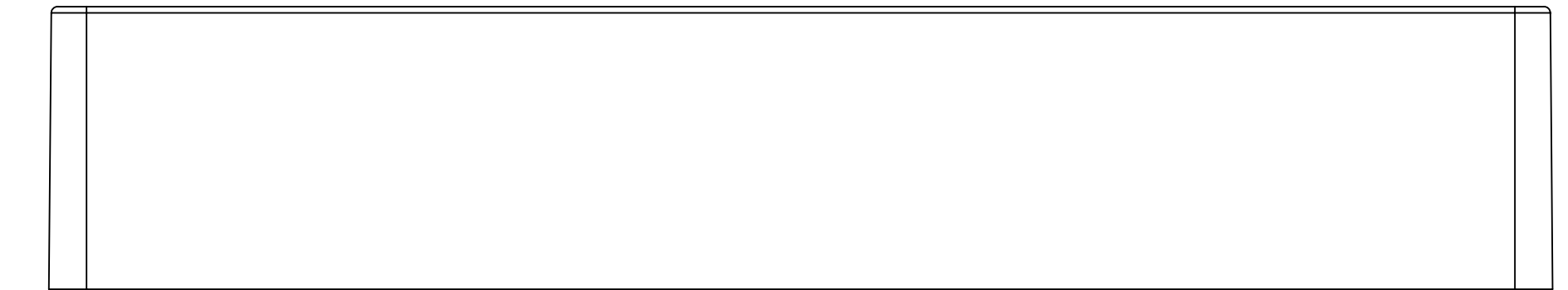


SURFACE-2

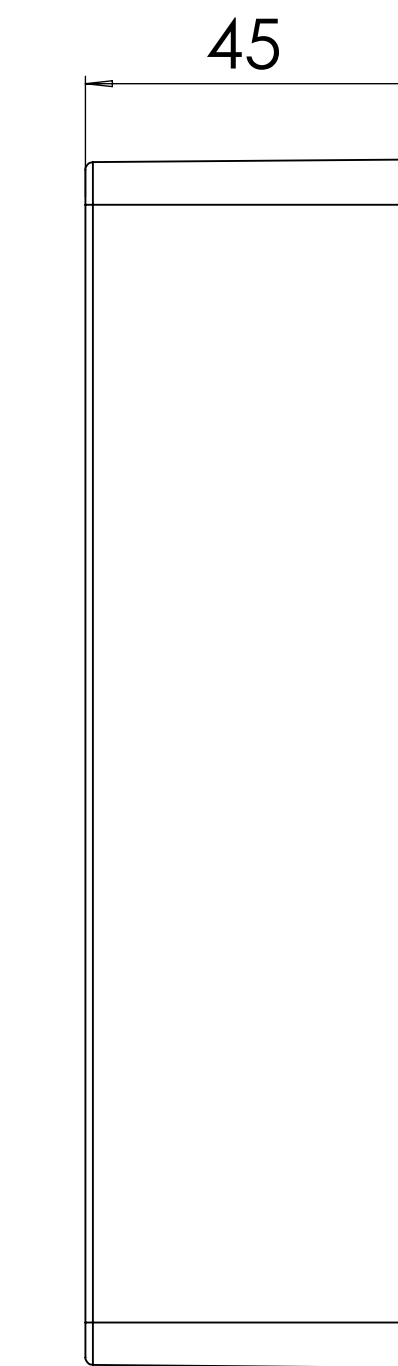


SURFACE-6 (INSIDE)

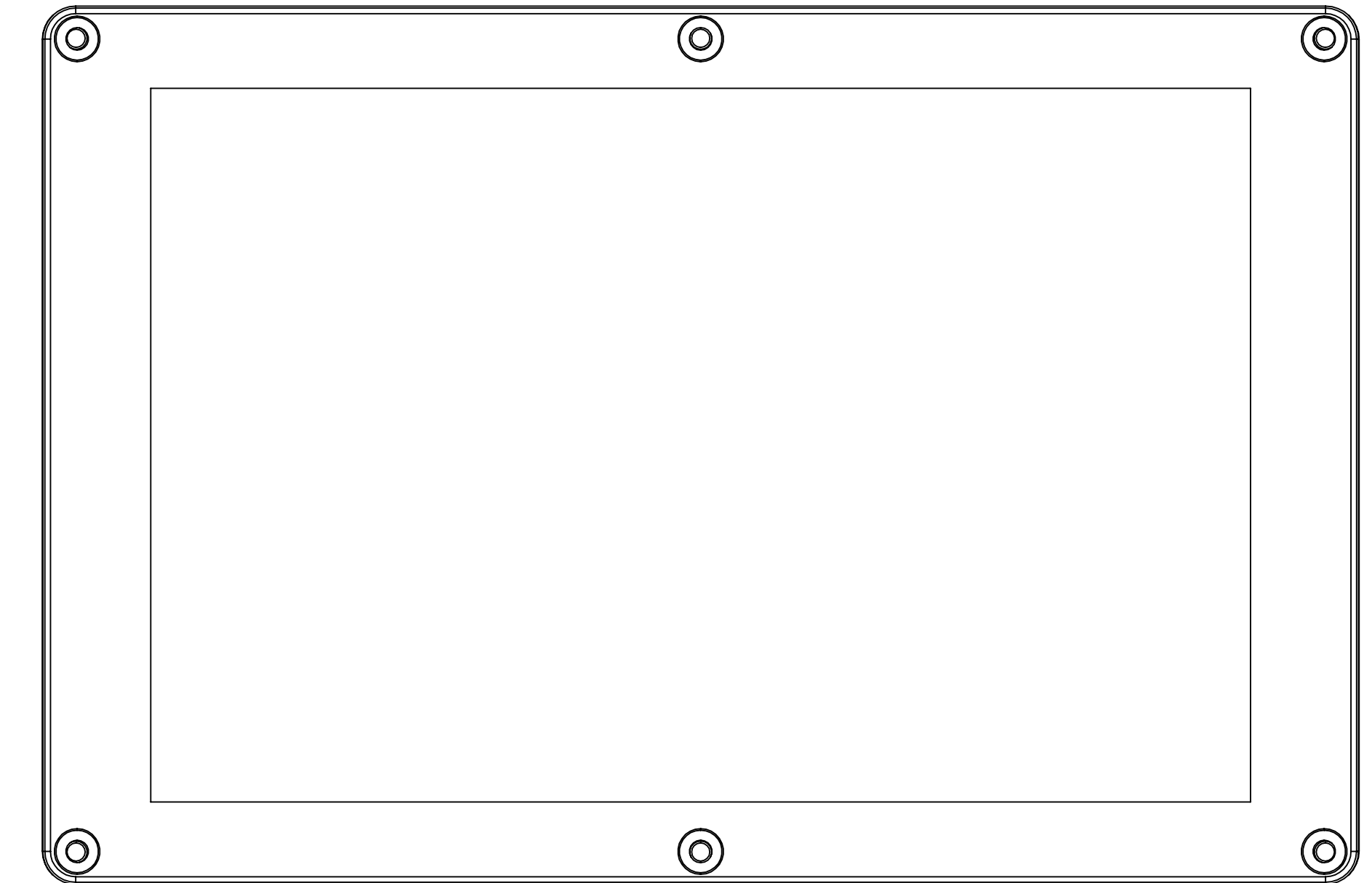
COVER: 6 SURFACE



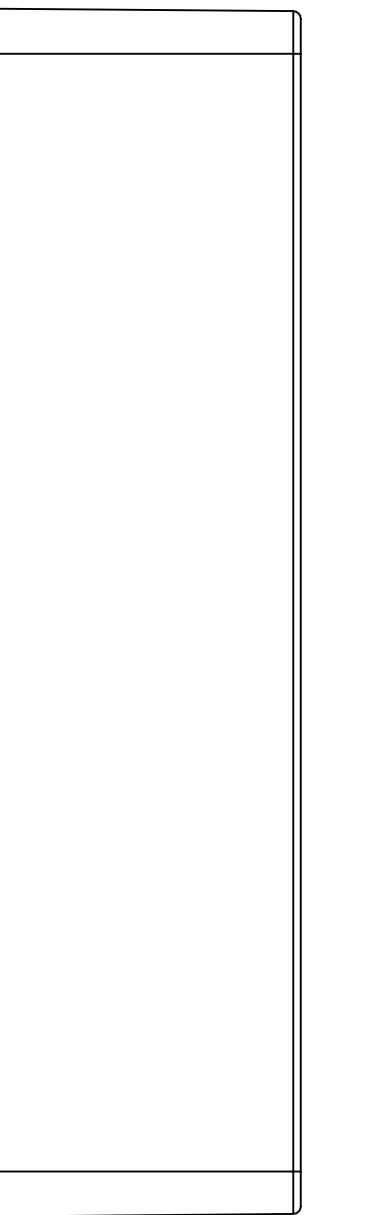
SURFACE-7



SURFACE-9



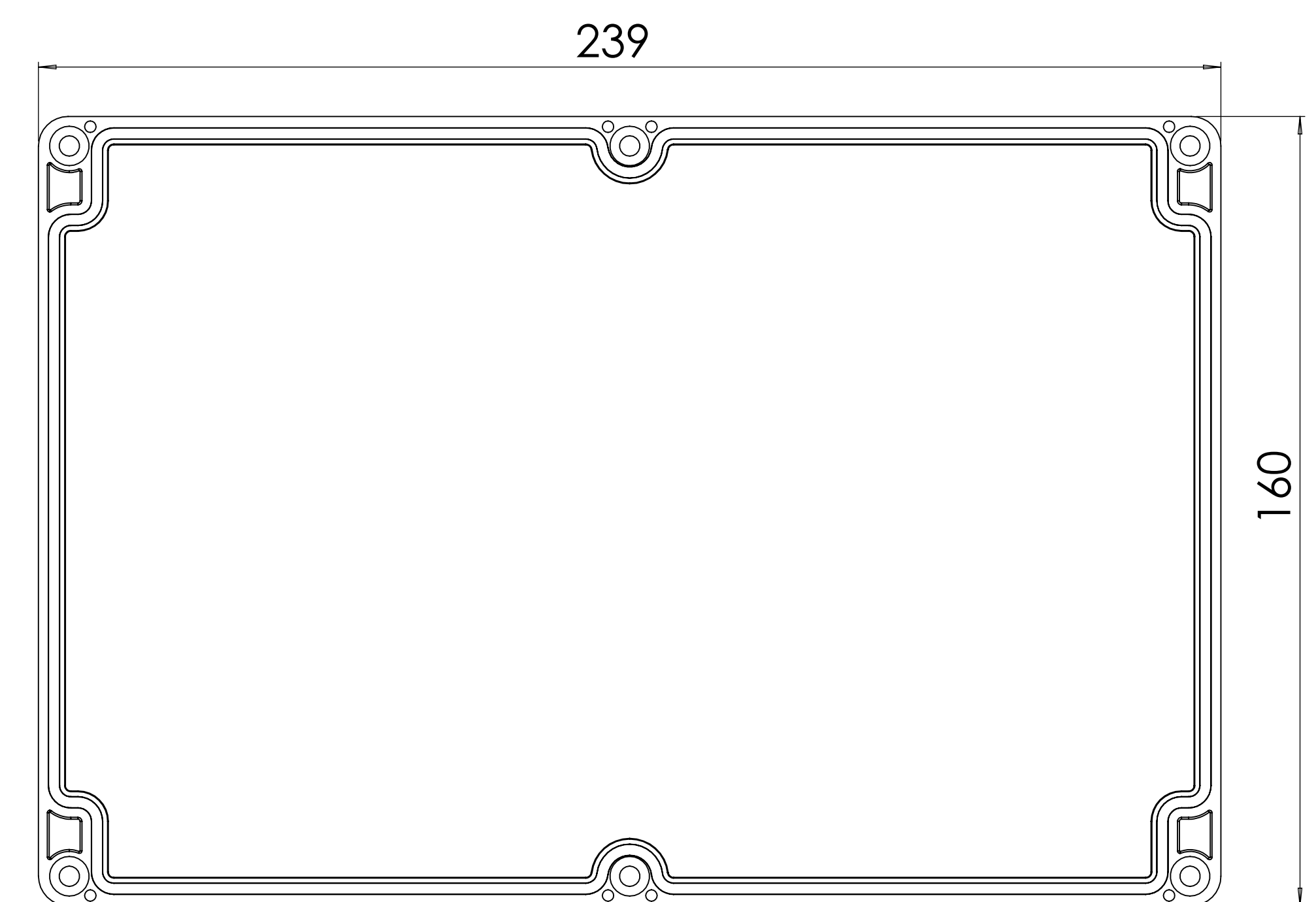
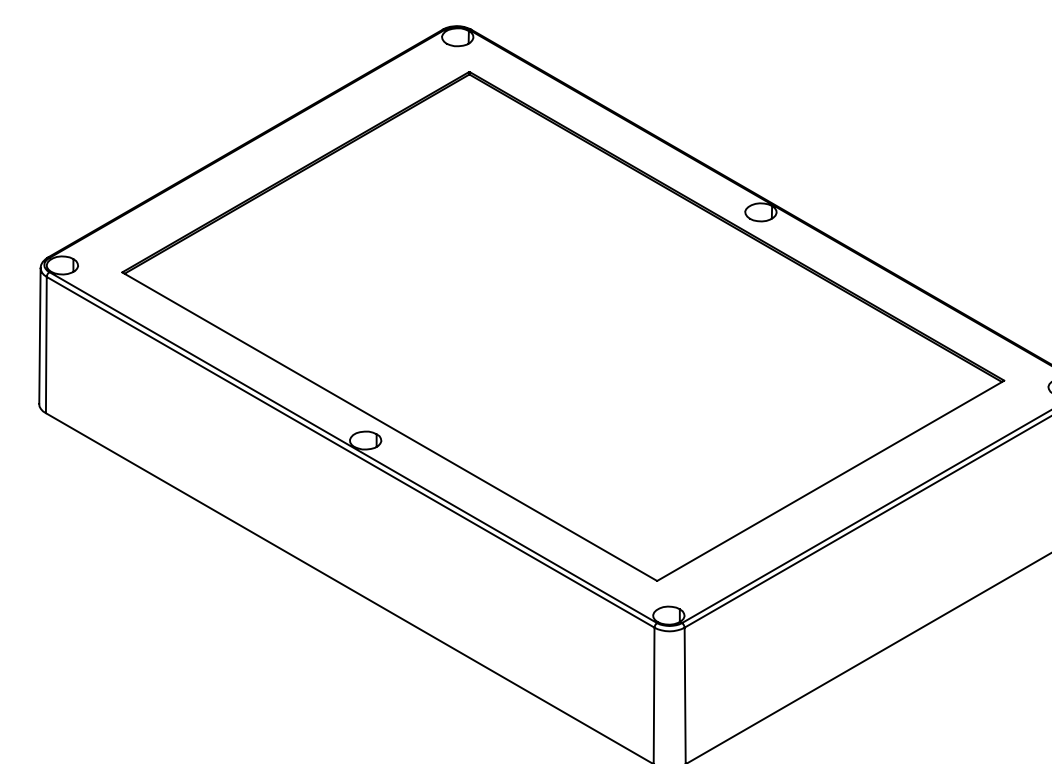
SURFACE-11




SURFACE-10



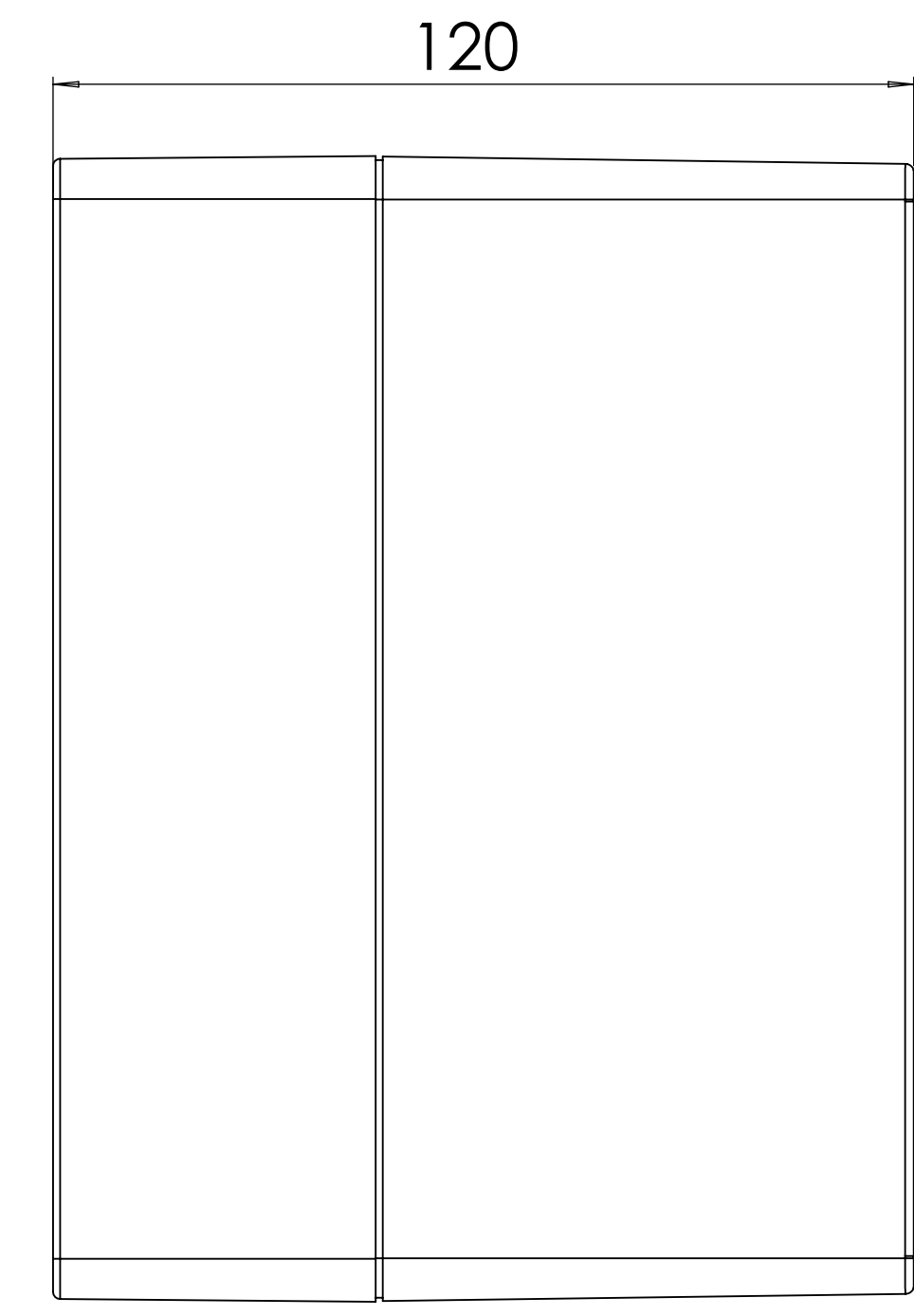
SURFACE-8



SURFACE-12 (INSIDE)

REV. NO	DATE	REVISED BY	DESCRIPTION OF CHANGE	
 ALTINKAYA Electronic Enclosures & Components			www.altinkaya.com	
Customer Name:		Customer Ref.:		
Altinkaya Ref.:		Part Name: SE-262-0-0		
DRAWN	NAME	DATE	Drawn From:	SCALE 1:1
CHECKED	Y.YEL	21.06.2024	Weight:	SHEET OF 2
DIMENSIONAL TOLERANCES UNLESS OTHERWISE SPECIFIED (DIN7168)		0.5-3mm	3-6mm	6-30mm
		±0.1	±0.1	±0.2
			±0.3	±0.5
				m (Medium)
				UNIT: mm
				A0

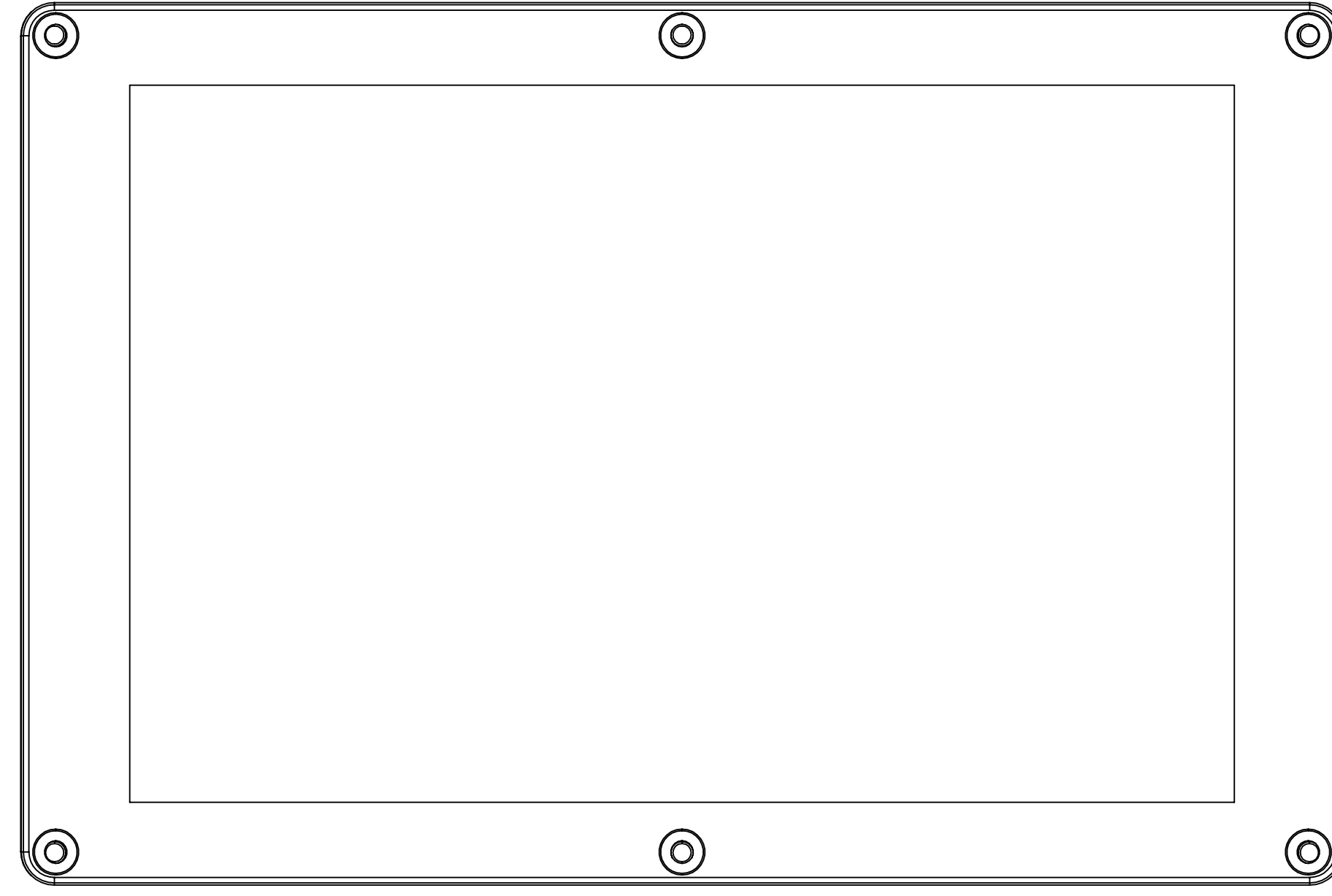
SE-262 IF MACHINED TOGETHER



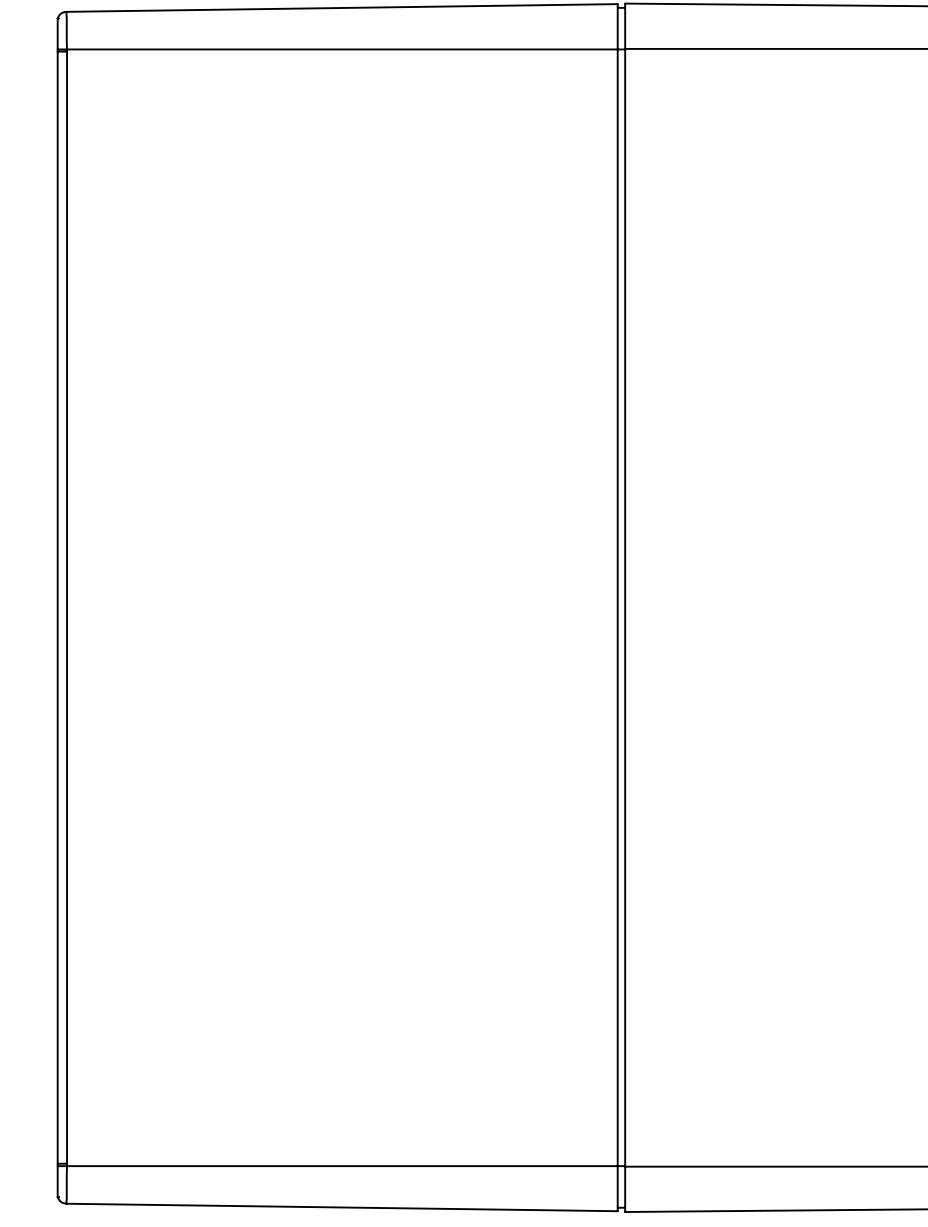
SURFACE-15



SURFACE-13



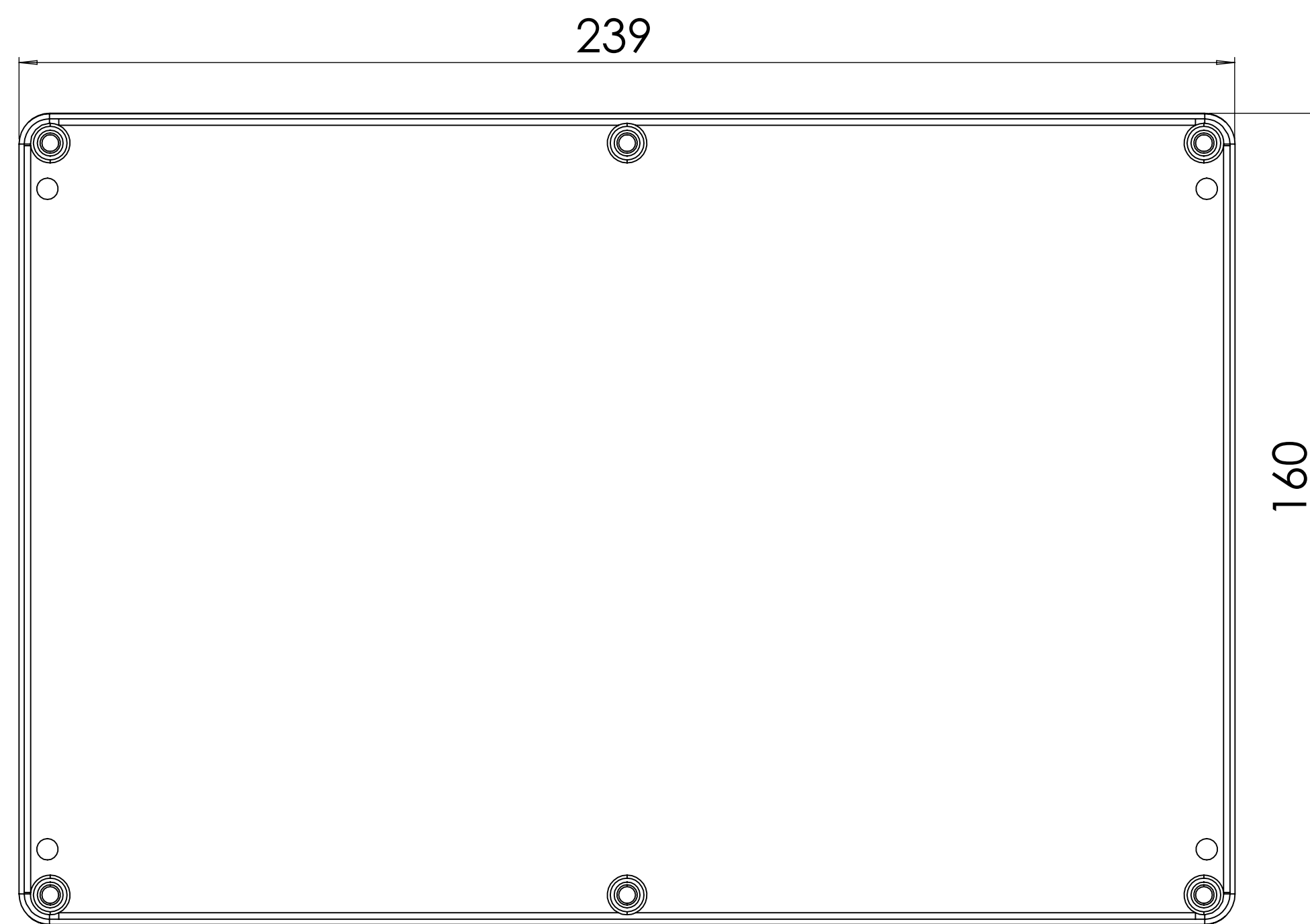
SURFACE-17



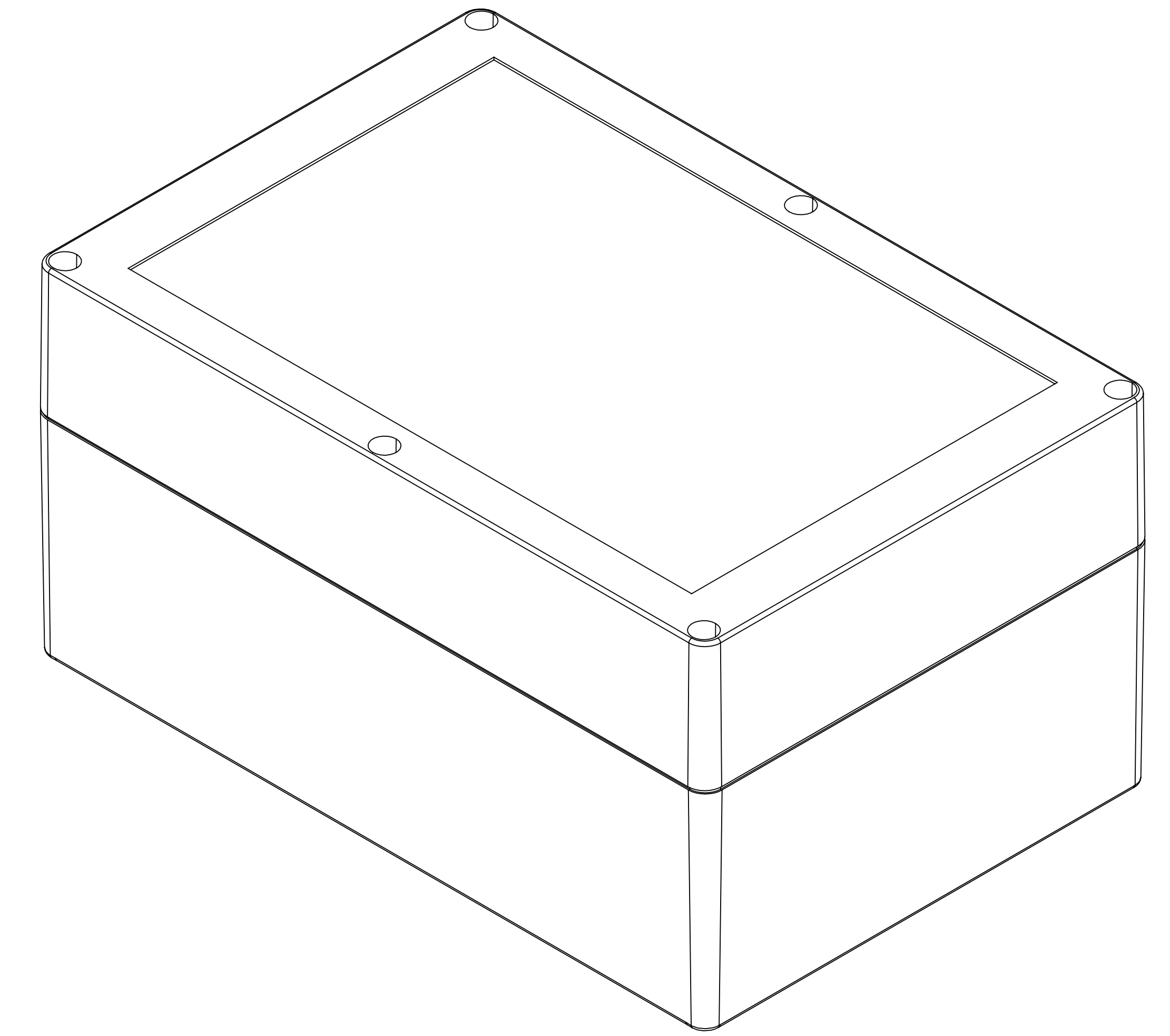
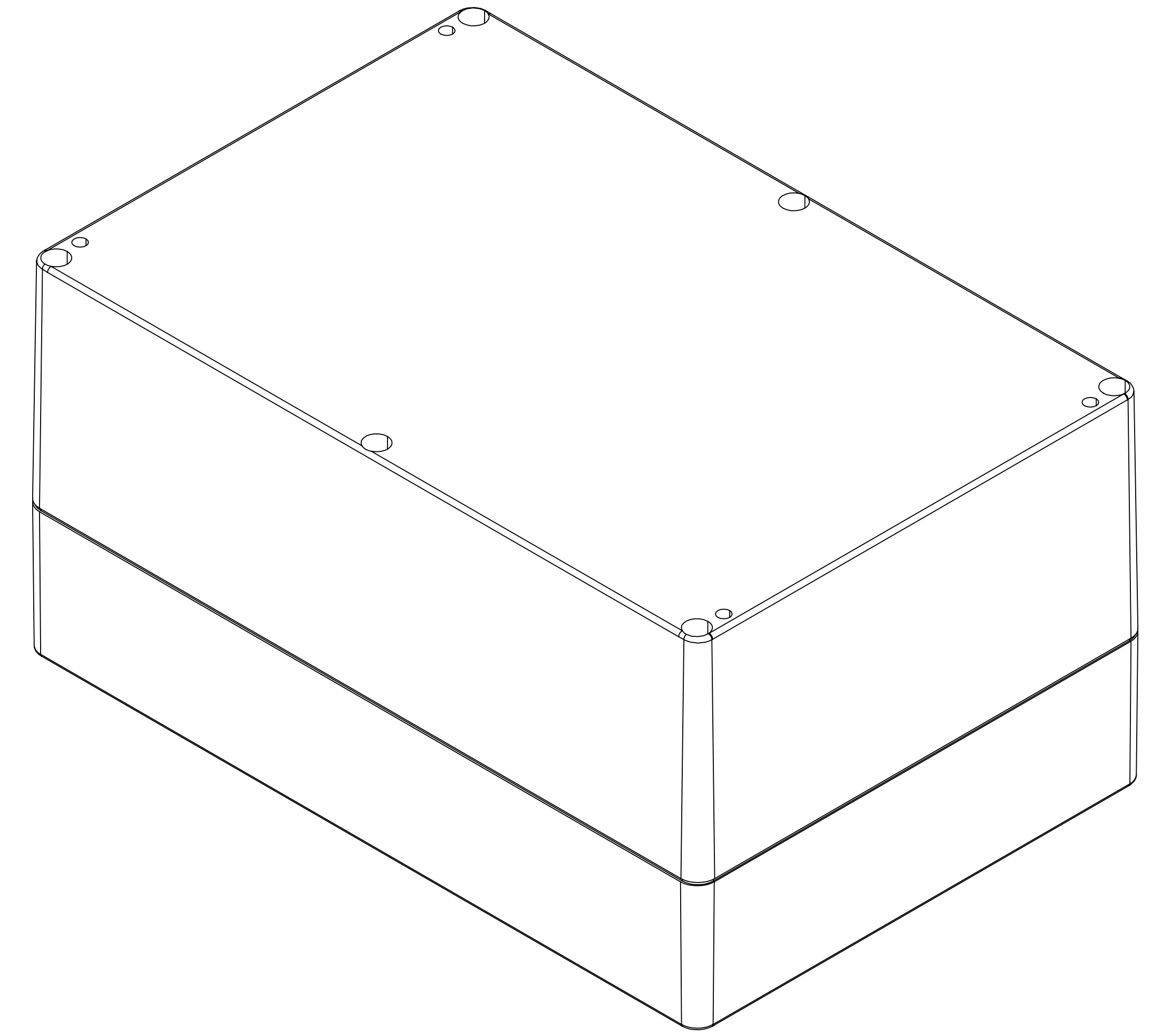
SURFACE-16



SURFACE-14



SURFACE-18



REV. NO	DATE	REVISED BY	DESCRIPTION OF CHANGE
 ALTINKAYA Electronic Enclosures & Components			
Customer Name:		Customer Ref. :	
Altinkaya Ref. :		Part Name: SE-262-0-0	
DRAWN	NAME	DATE	Drawn From :
CHECKED	Y.YEL	21.06.2024	Material :
DIMENSIONAL TOLERANCES UNLESS OTHERWISE SPECIFIED [DIN7168]		0.5-3mm	3-6mm
		±0.1	±0.1
		6-30mm	30-120mm
		±0.2	±0.3
		120-400mm	±0.5
		Dimension (mm)	
		m (Medium)	
SCALE 1:1			SHEET 2 OF 2
UNIT: mm			AO

www.altinkaya.com