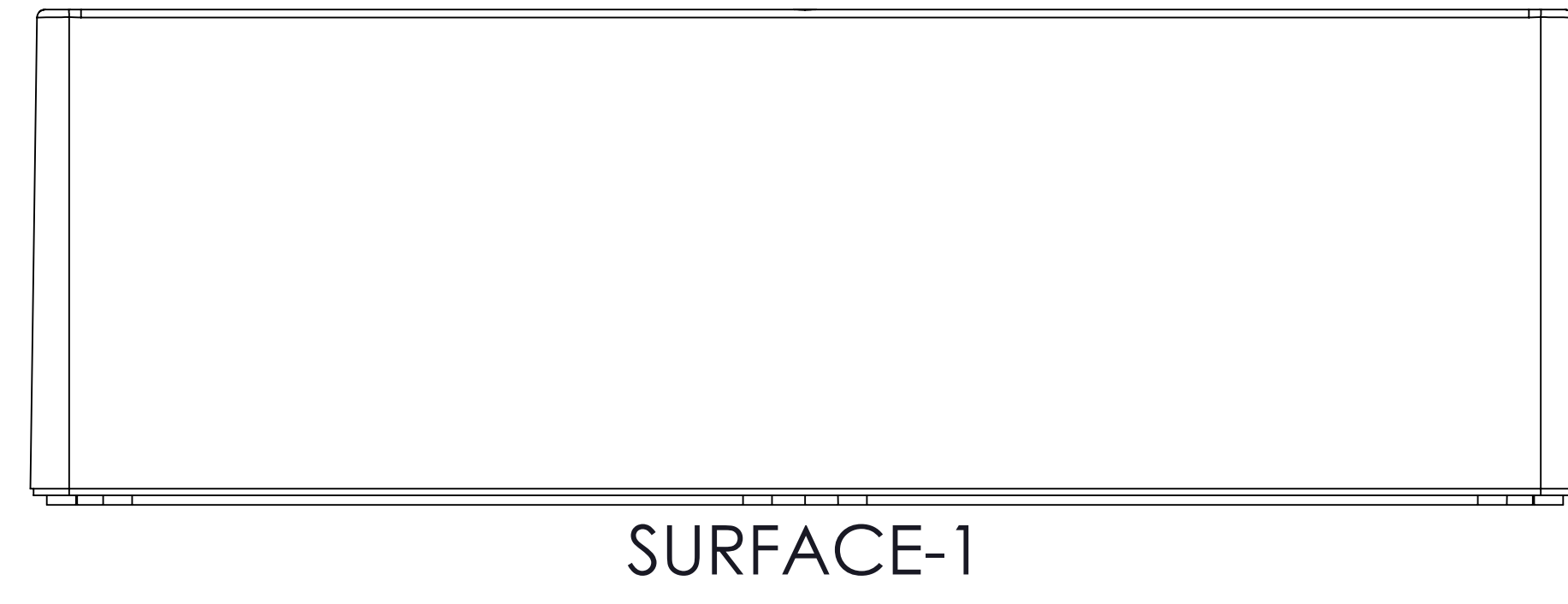
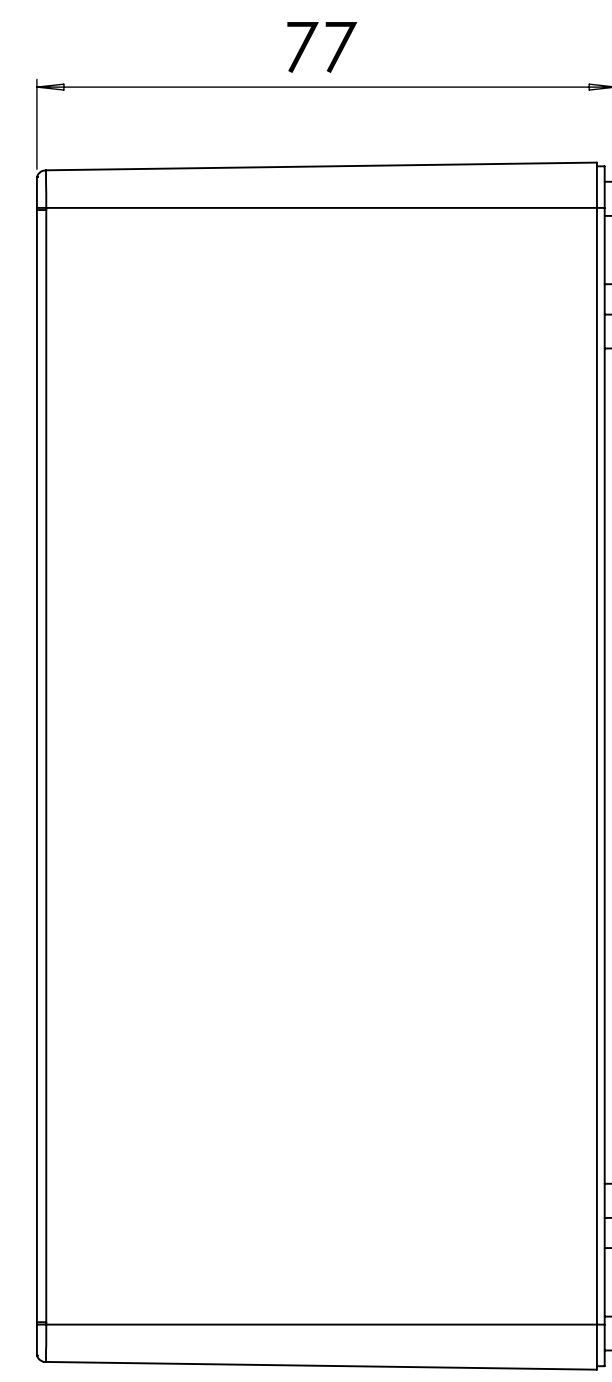


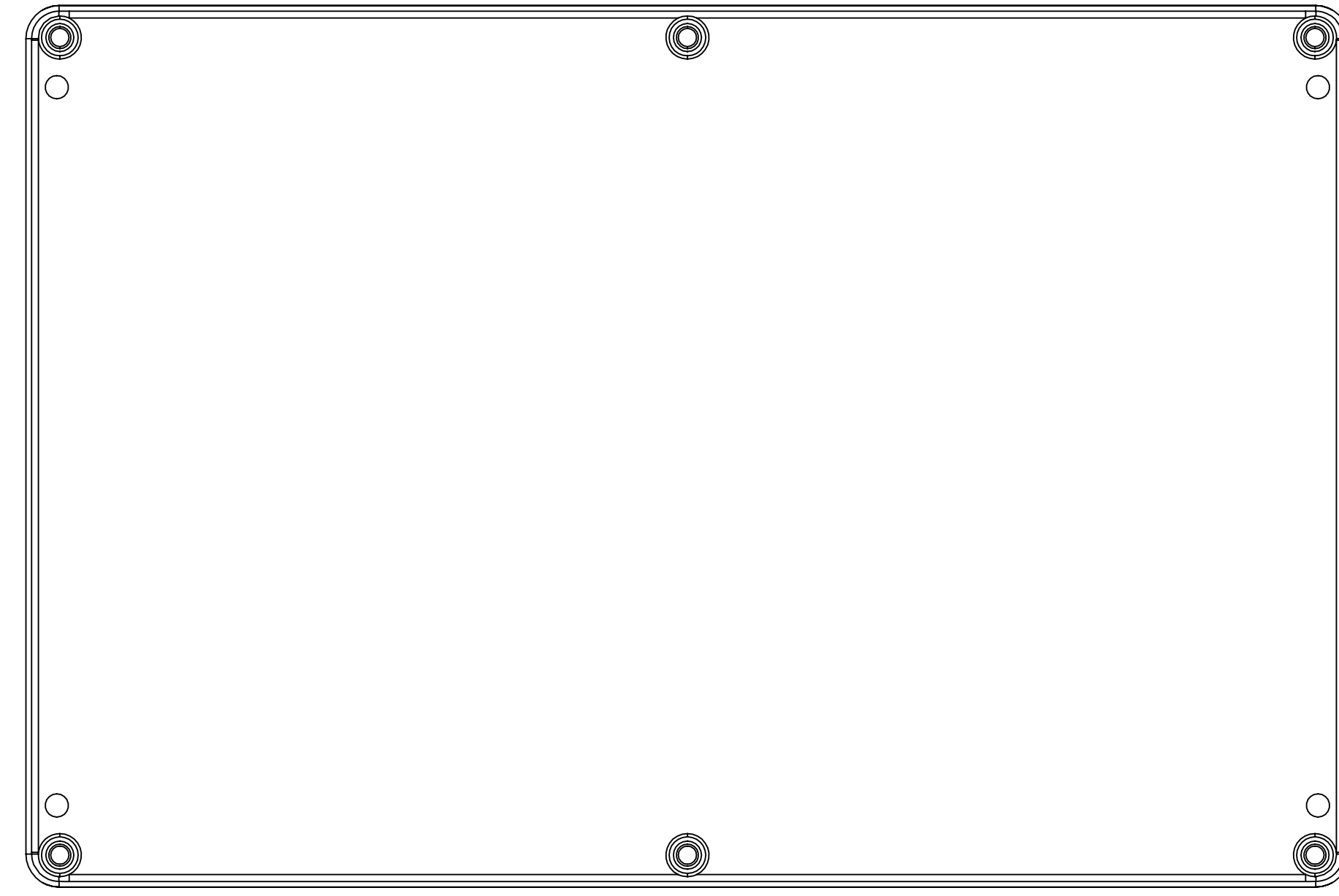
BASE: 6 SURFACE



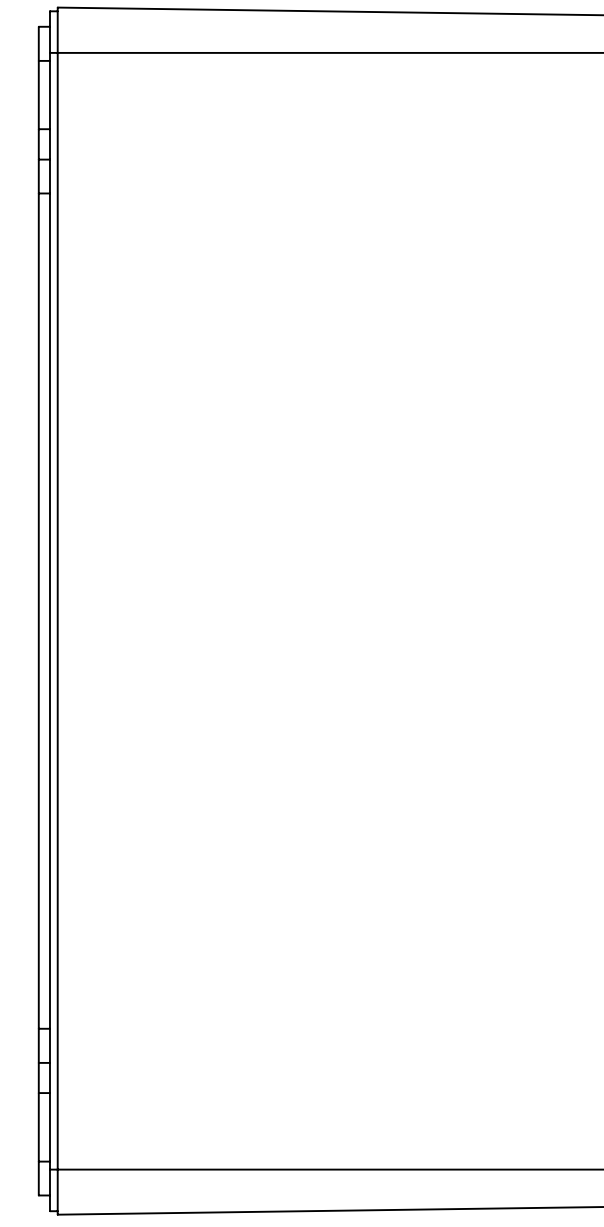
SURFACE-1



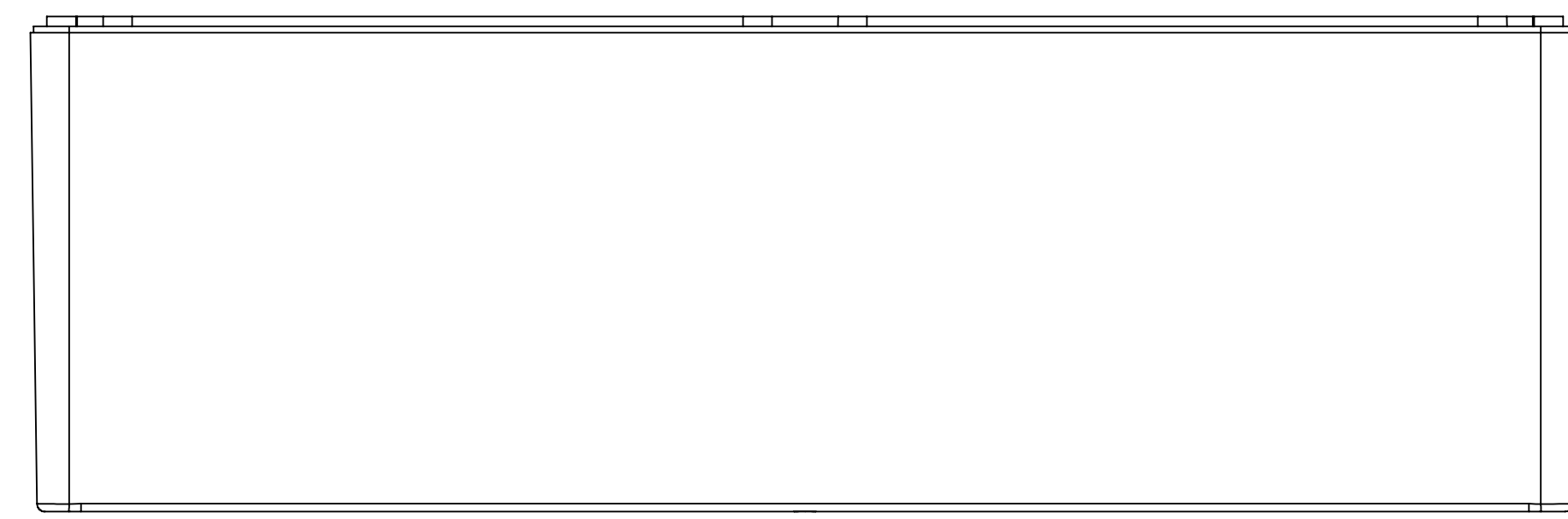
SURFACE-3



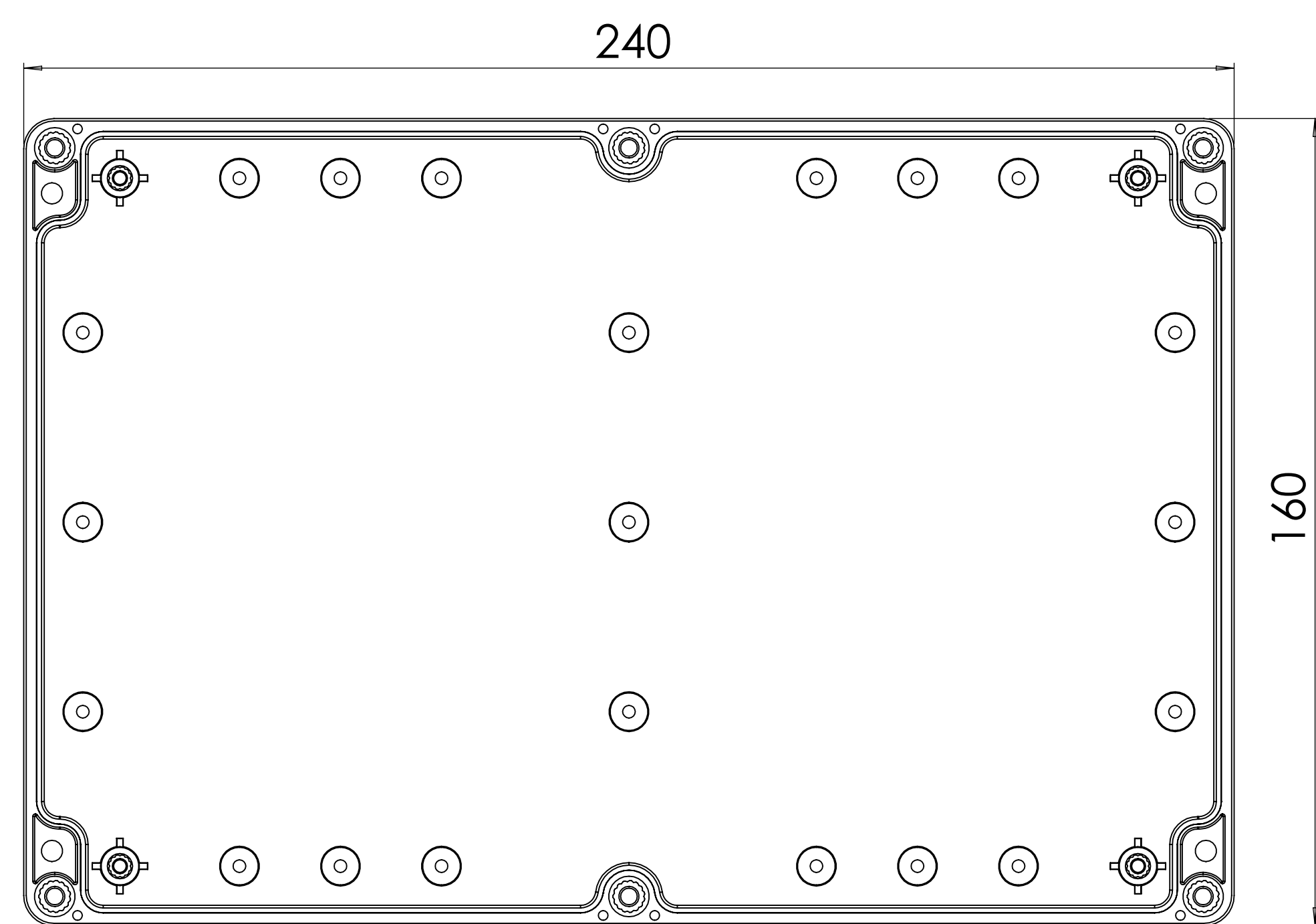
SURFACE-5



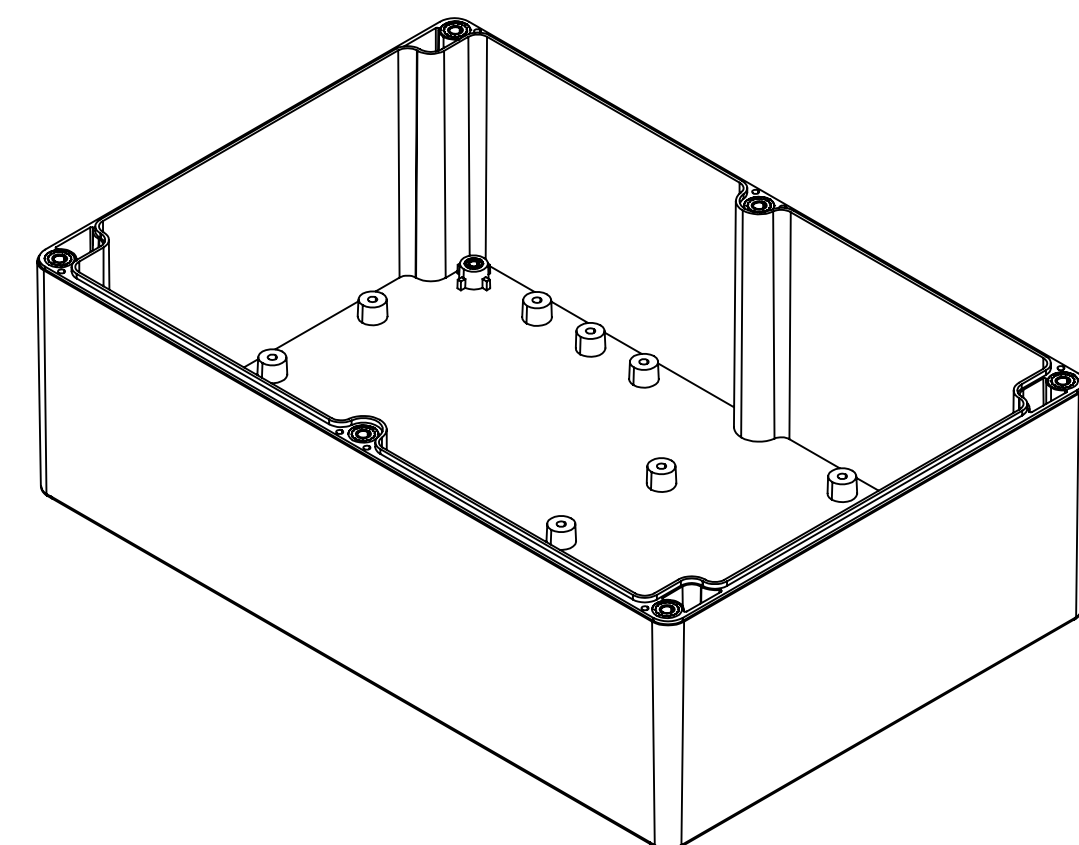
SURFACE-4



SURFACE-2



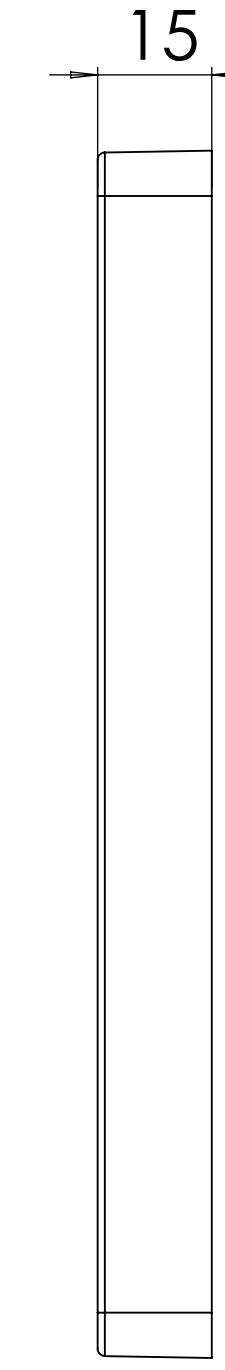
SURFACE-6 (INSIDE)



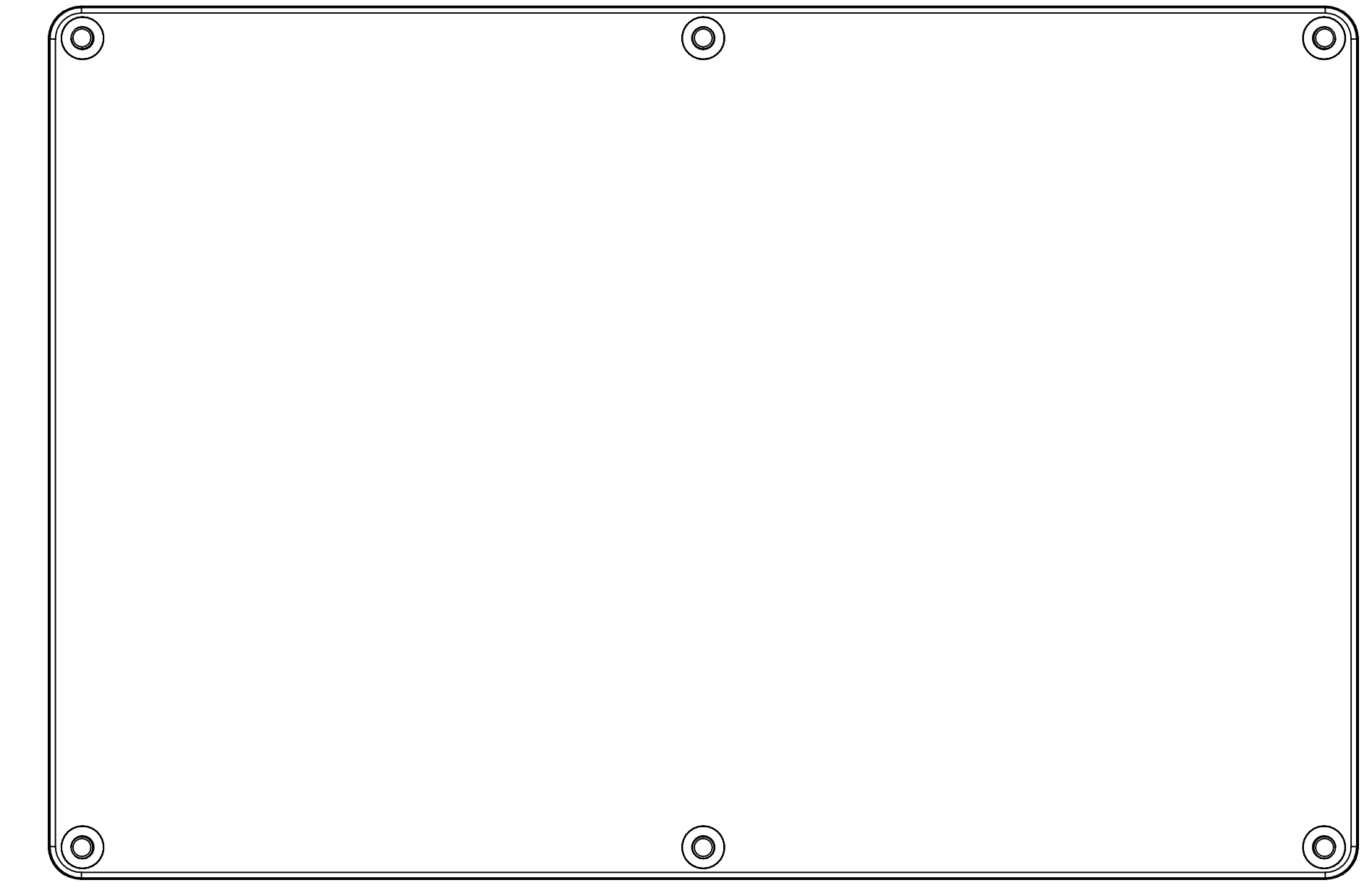
COVER: 6 SURFACE



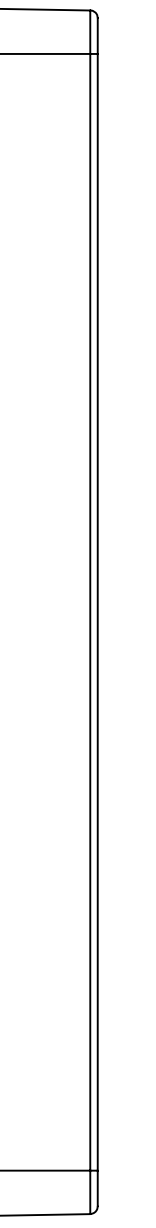
SURFACE-7



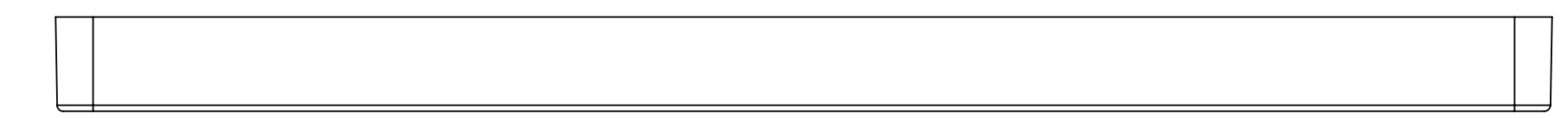
SURFACE-9



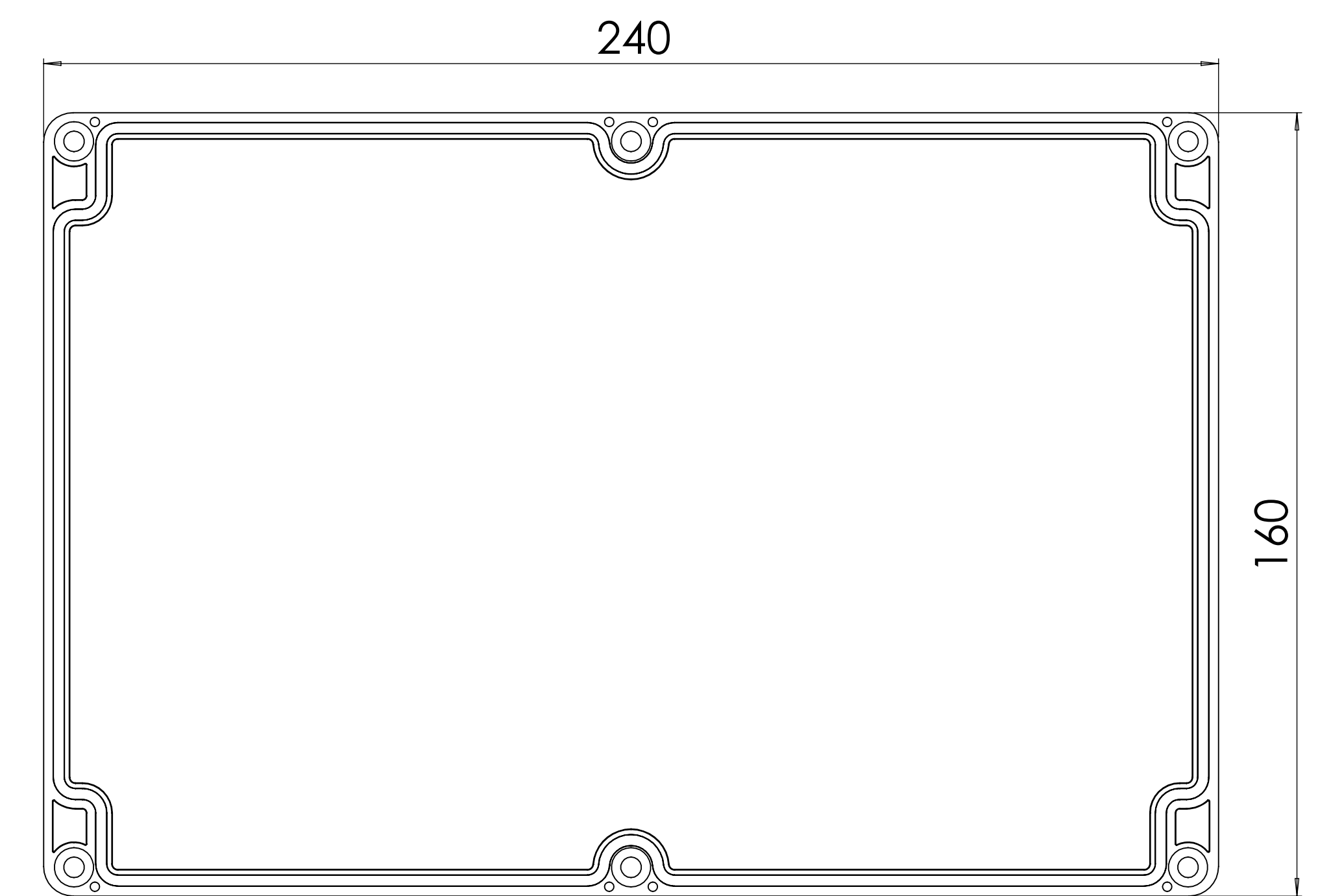
SURFACE-11



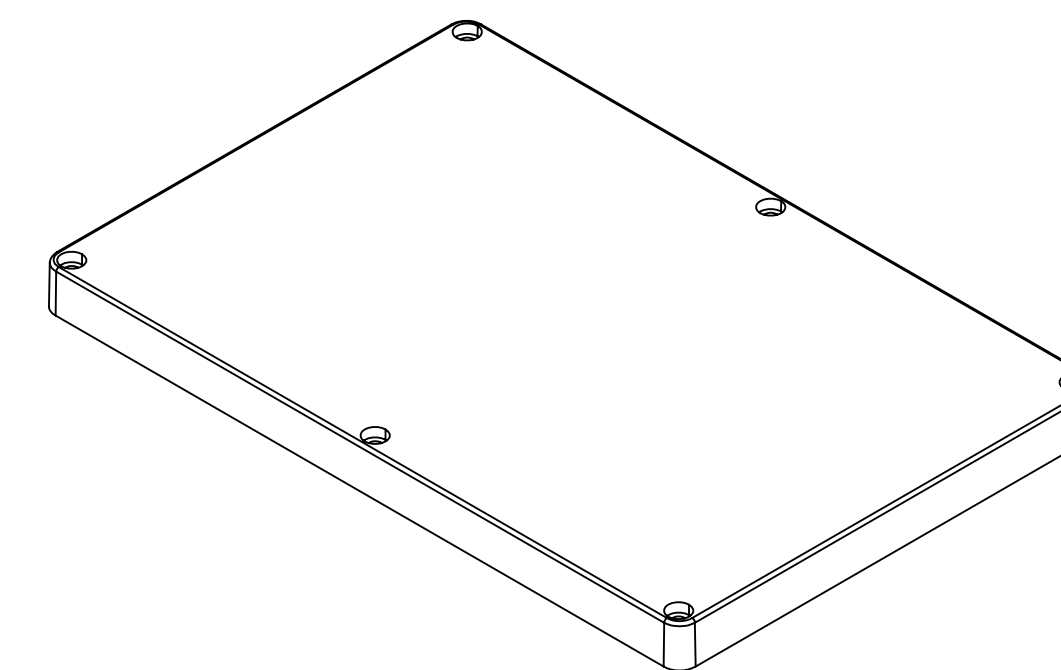
SURFACE-10



SURFACE-8



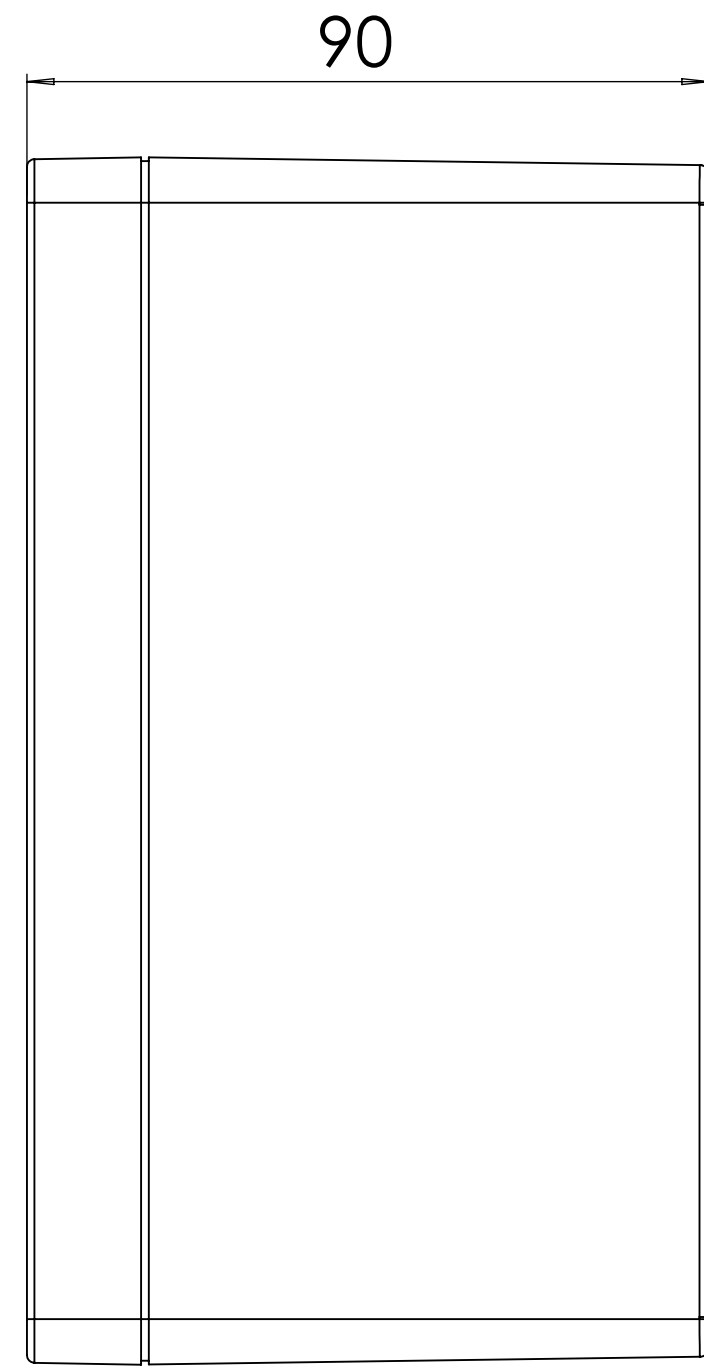
SURFACE-12 (INSIDE)



| REV. NO | DATE | REVISED BY | DESCRIPTION OF CHANGE |
|--|-------|-----------------------|-----------------------|
|  ALTINKAYA Electronic Enclosures & Components | | | |
| Customer Name: | | Customer Ref.: | |
| Altinkaya Ref.: | | Part Name: SE-260-0-0 | |
| DRAWN | NAME | DATE | Drawn From: |
| CHECKED | Y.YEL | 21.06.2024 | Material: |
| DIMENSIONAL TOLERANCES UNLESS OTHERWISE SPECIFIED (DIN7168) | | 0.5-3mm ±0.1 | 3-6mm ±0.1 |
| | | 6-30mm ±0.2 | 30-120mm ±0.3 |
| | | 120-400mm ±0.5 | Dimension (mm) |
| | | | m (Medium) |
| | | | SCALE 1:1 |
| | | | SHEET 1 OF 2 |
| | | | UNIT: mm |
| | | | A0 |

www.altinkaya.com

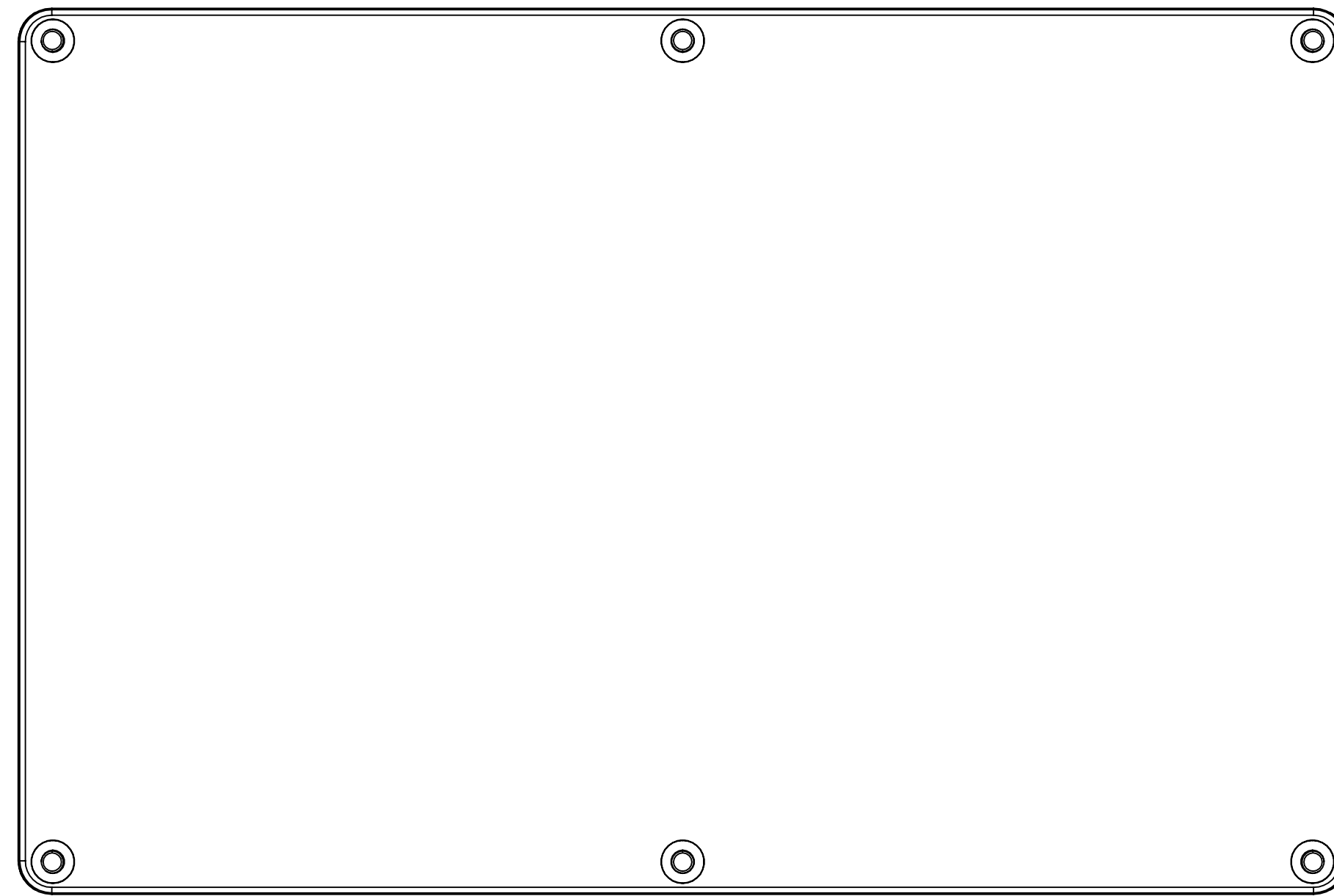
SE-260 IF MACHINED TOGETHER



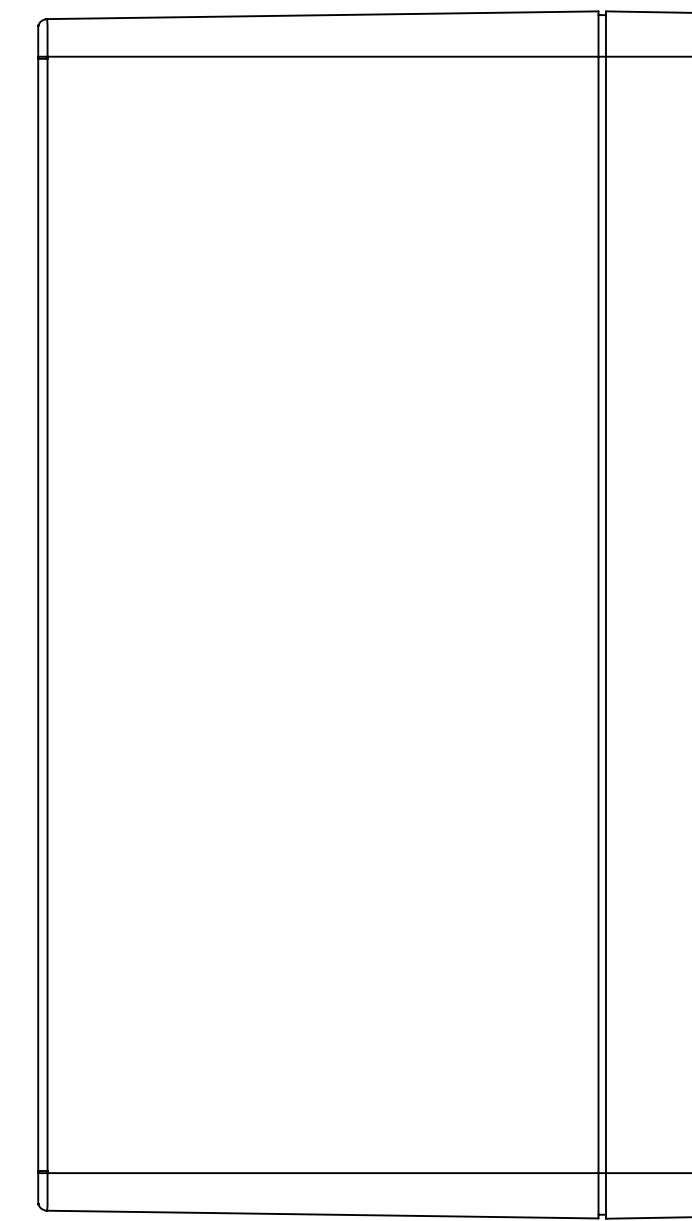
SURFACE-15



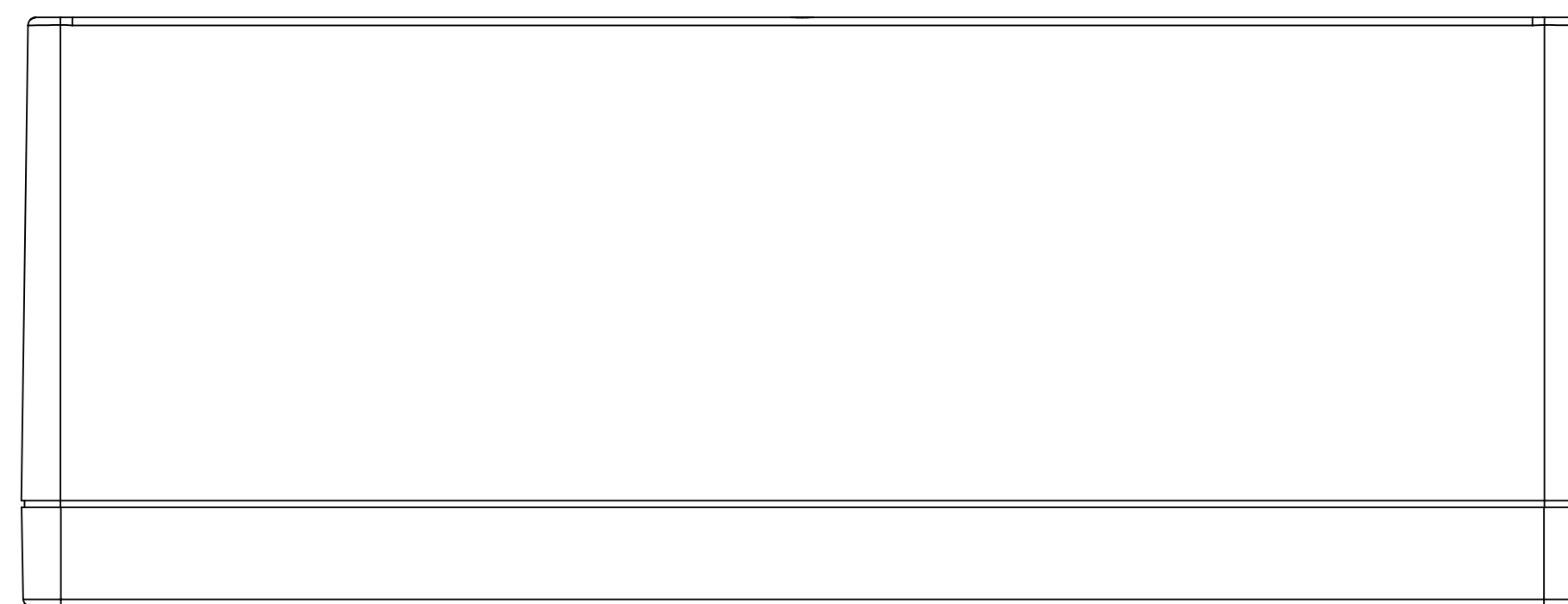
SURFACE-13



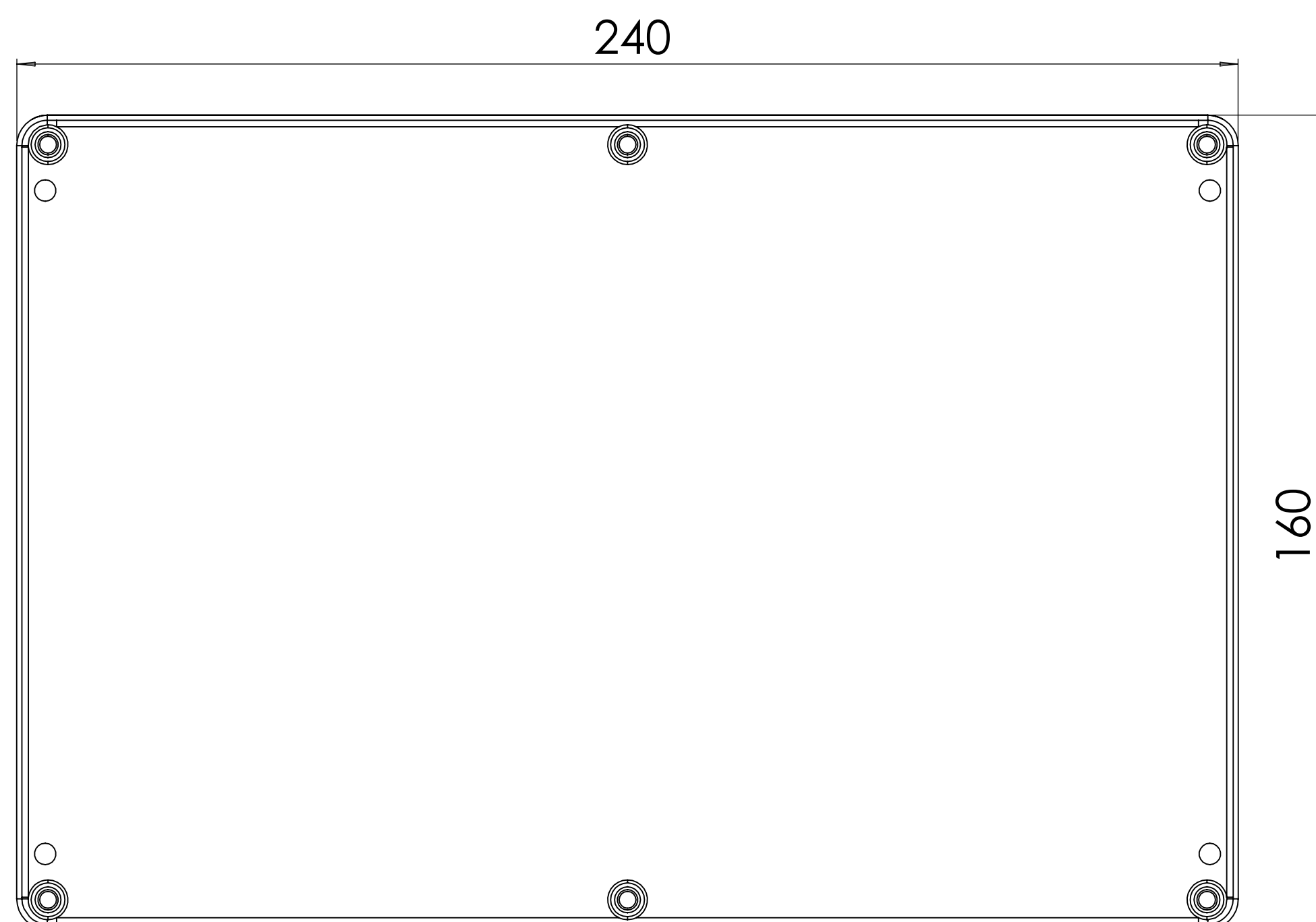
SURFACE-17



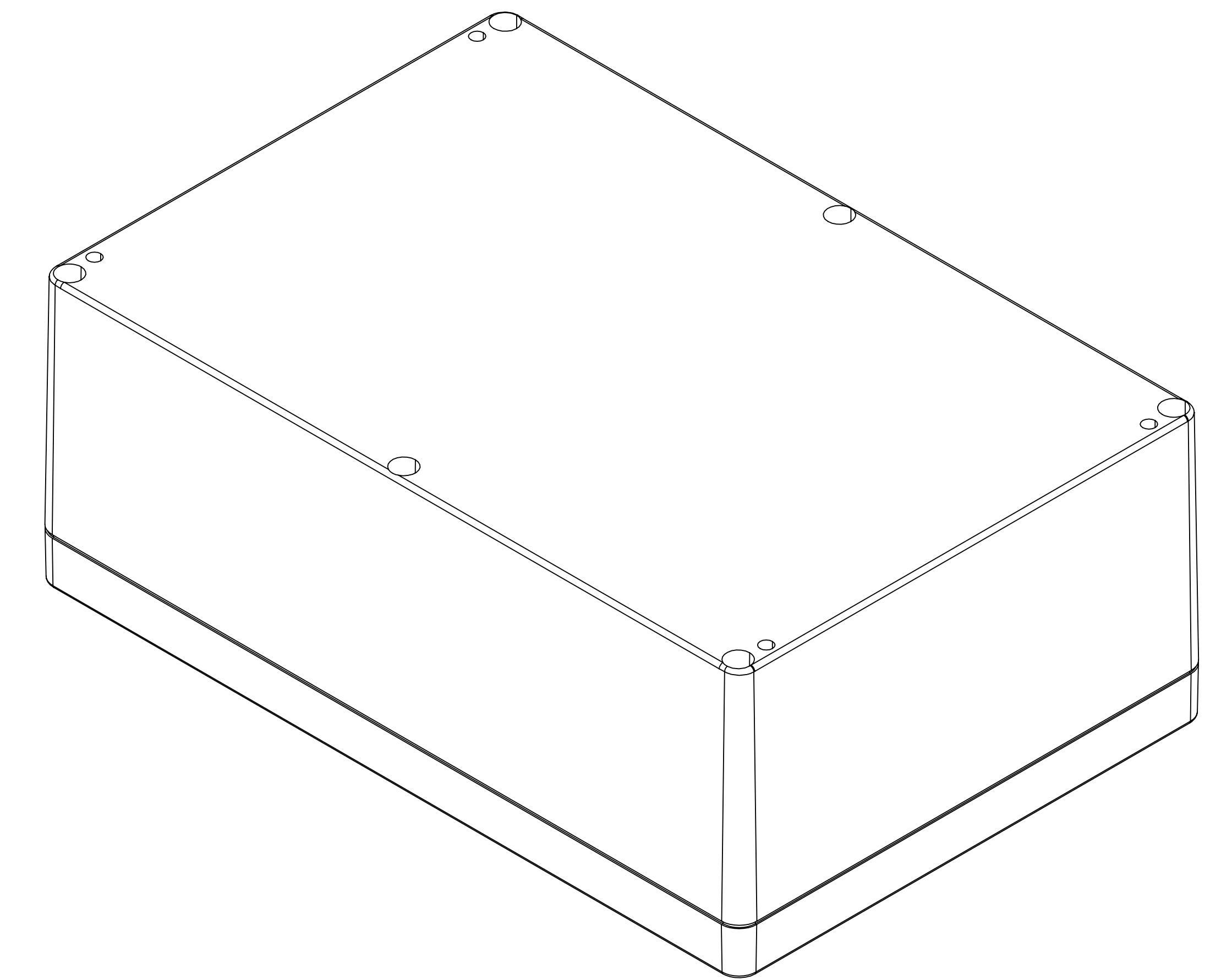
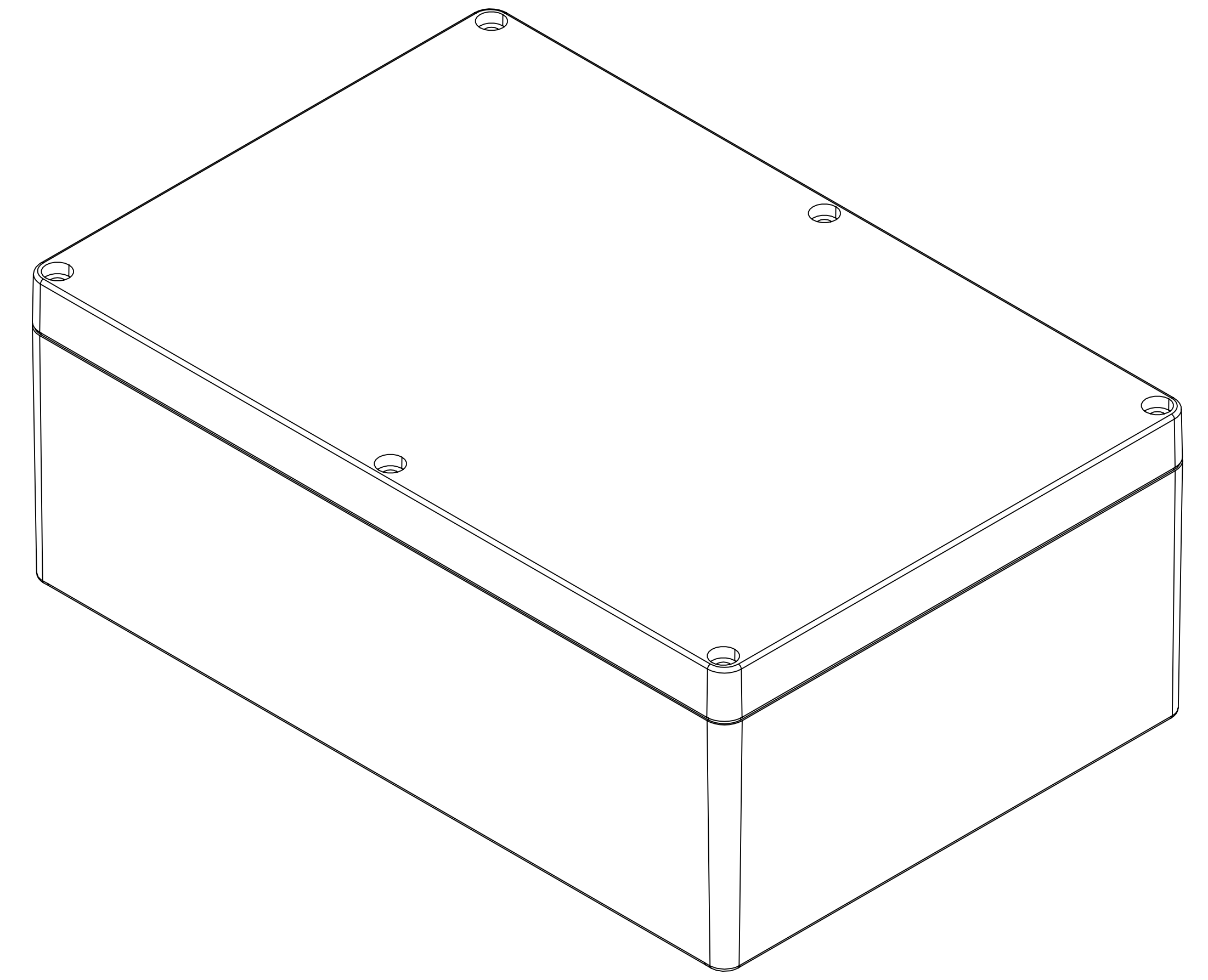
SURFACE-16




SURFACE-14



SURFACE-18



| REV. NO | DATE | REVISED BY | DESCRIPTION OF CHANGE | |
|--|-------|-----------------------|--|--------------|
|  ALTINKAYA Electronic Enclosures & Components | | | www.altinkaya.com | |
| Customer Name: | | Customer Ref.: | | |
| Altinkaya Ref.: | | Part Name: SE-260-0-0 | | |
| DRAWN | NAME | DATE | Drawn From: | SCALE 1:1 |
| CHECKED | Y.YEL | 21.06.2024 | Material: | SHEET 2 OF 2 |
| DIMENSIONAL TOLERANCES UNLESS OTHERWISE SPECIFIED (DIN7168) | | | Weight: | UNIT: mm |
| ±0.1 | ±0.1 | ±0.2 | ±0.3 | ±0.5 |
| 0.5-3mm | 3-6mm | 6-30mm | 30-120mm | 120-400mm |
| Dimension (mm) | | | | A0 |
| m (Medium) | | | | 1 |