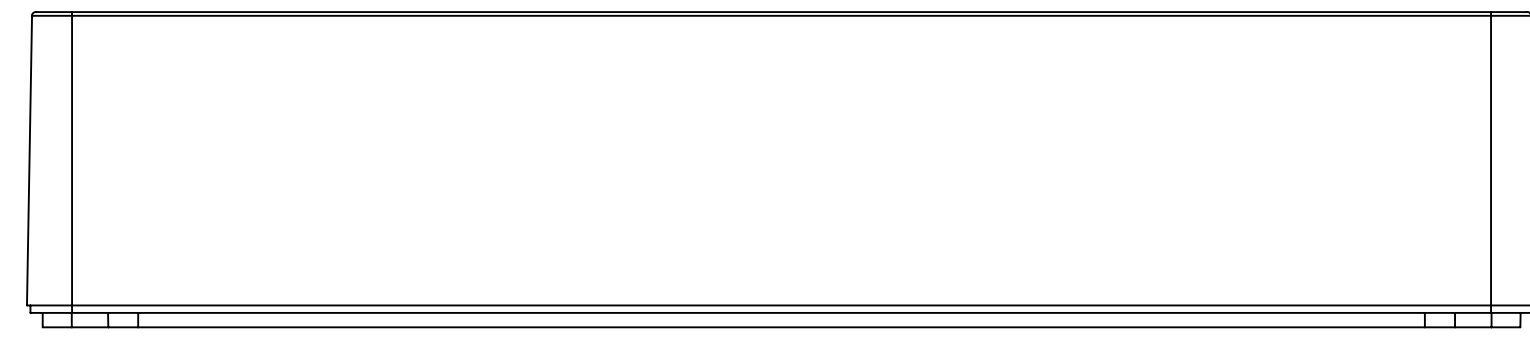
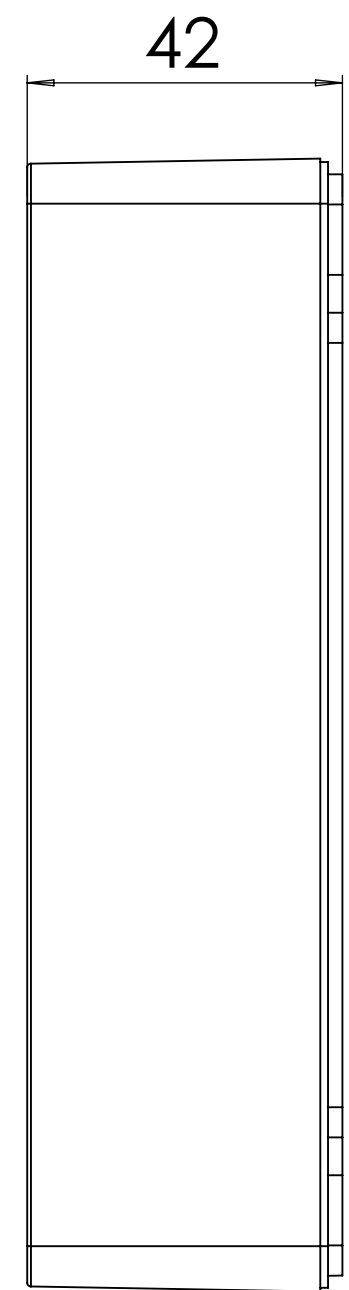


**BASE: 6 SURFACE**



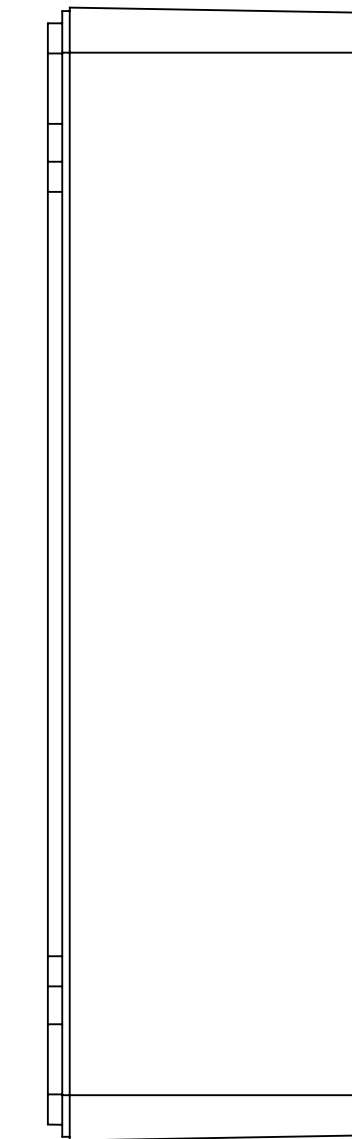
SURFACE-1



SURFACE-3



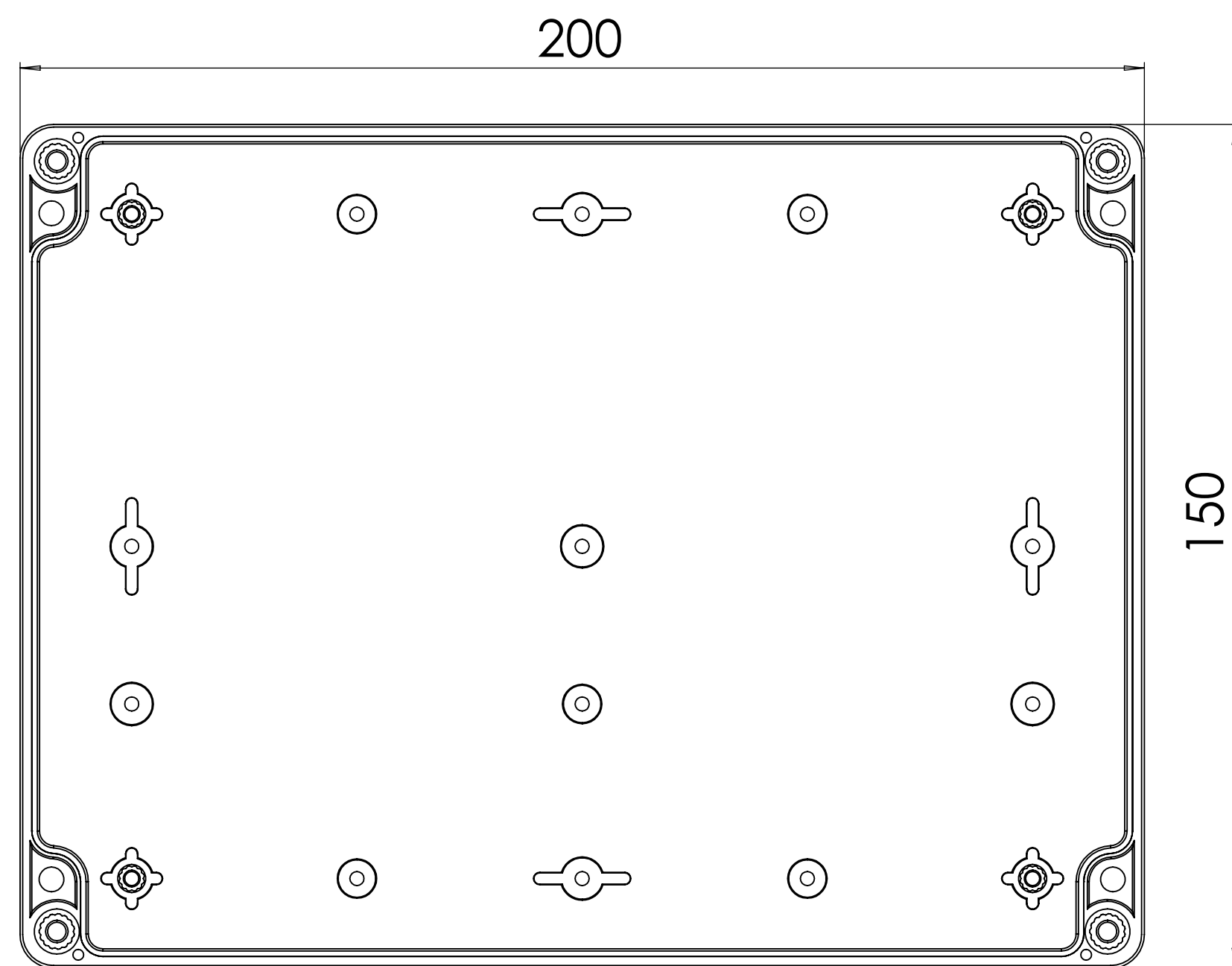
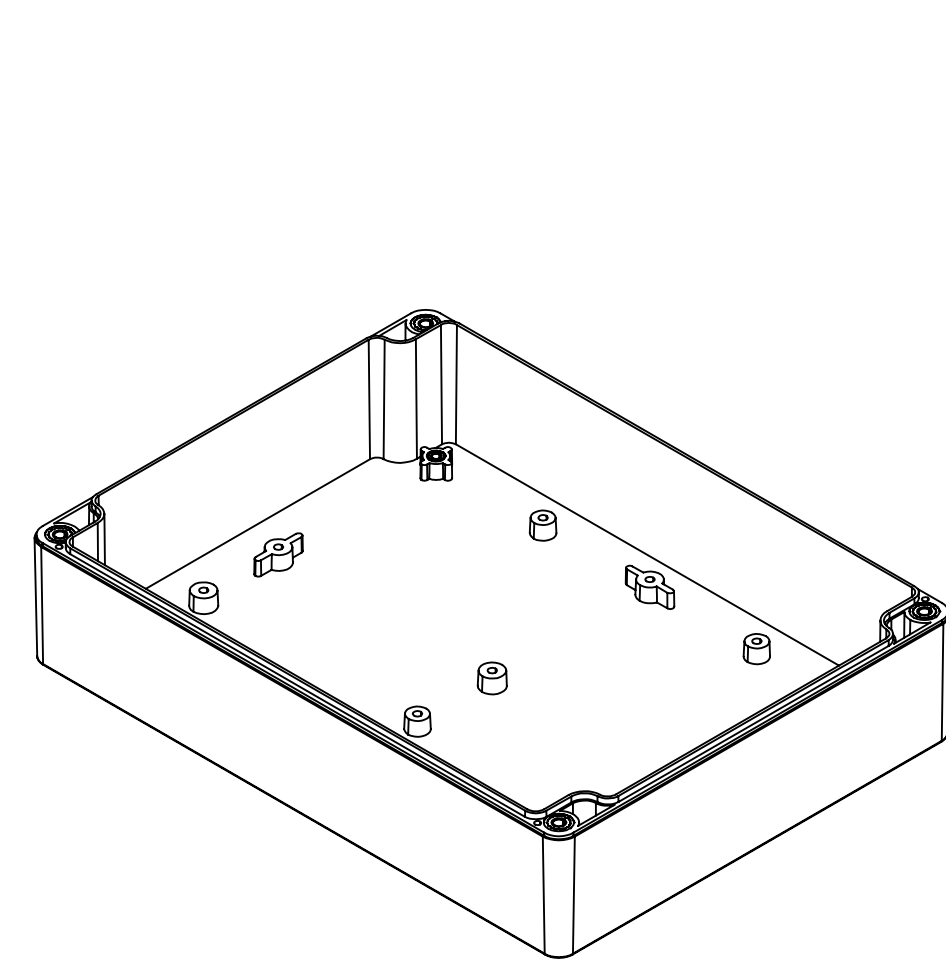
SURFACE-5



SURFACE-4

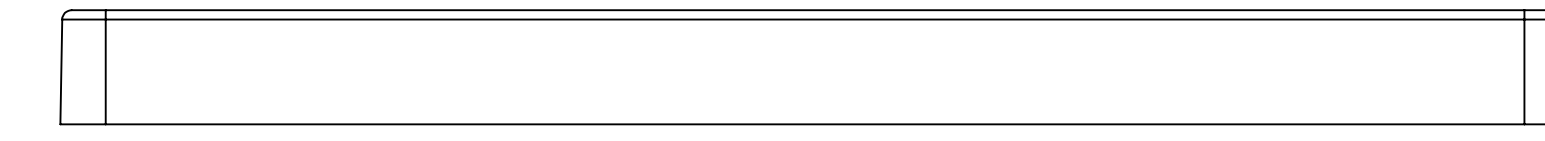


SURFACE-2

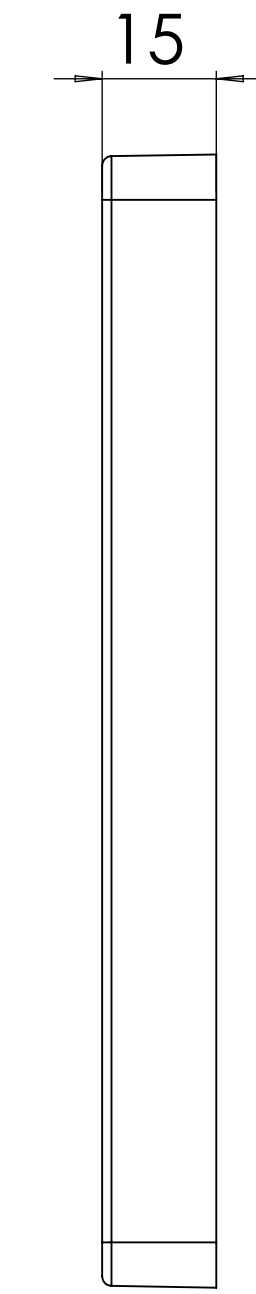


SURFACE-6 (INSIDE)

**COVER: 6 SURFACE**



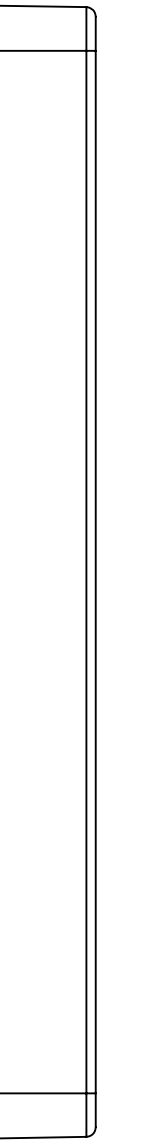
SURFACE-7



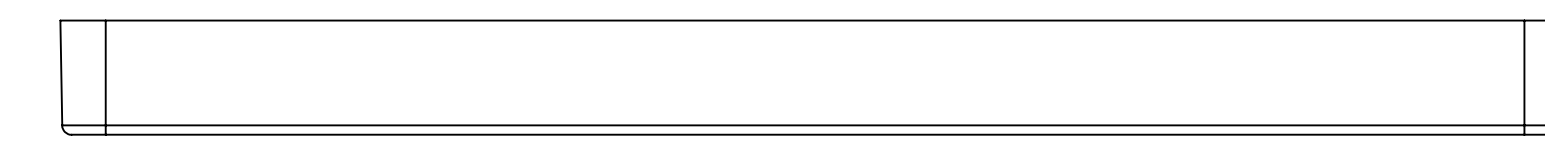
SURFACE-9



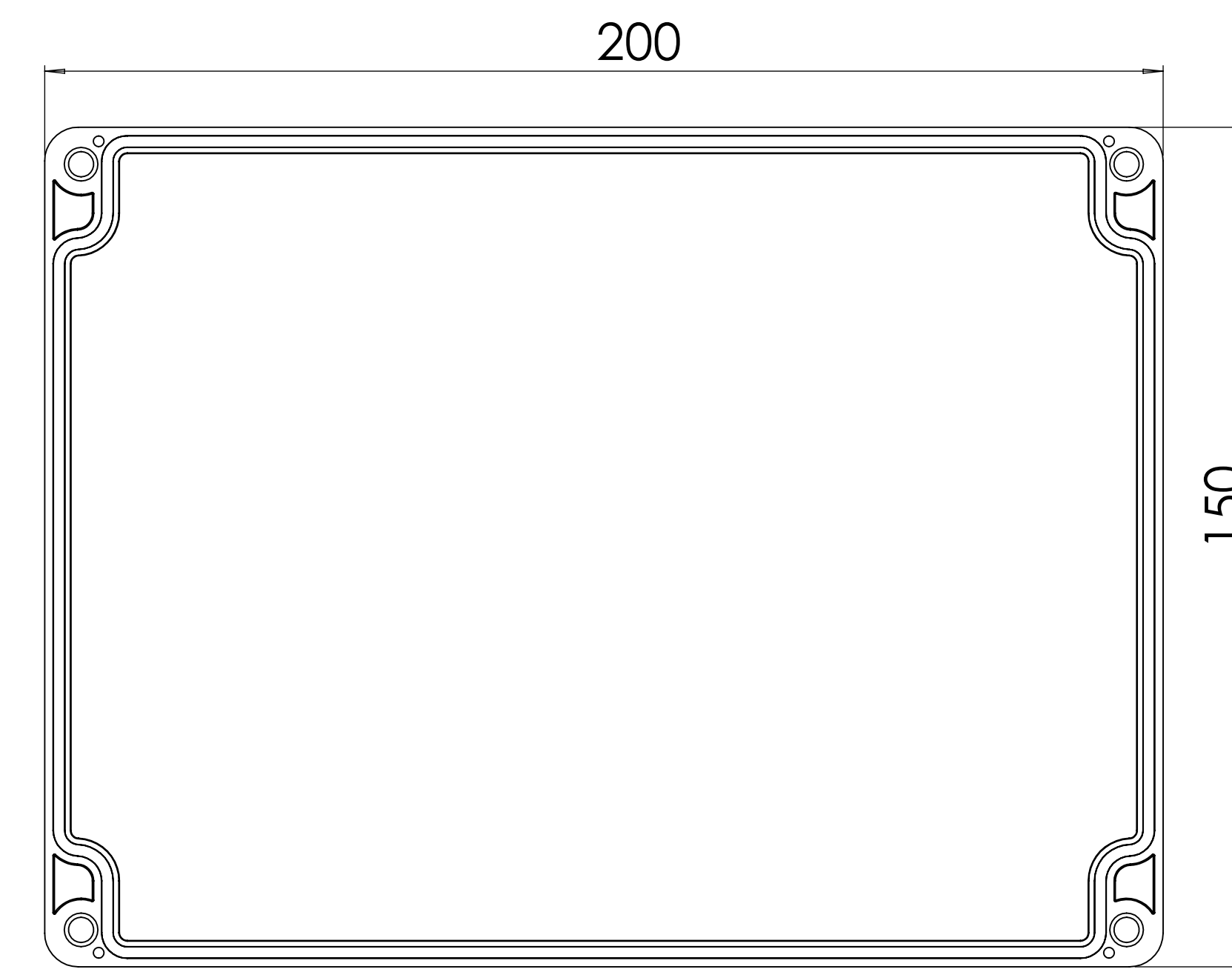
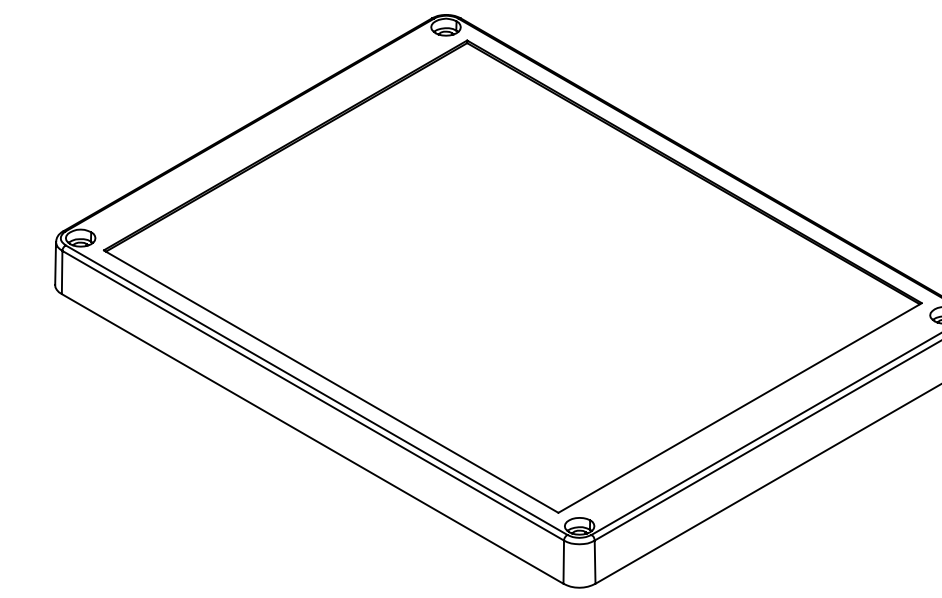
SURFACE-11




SURFACE-10



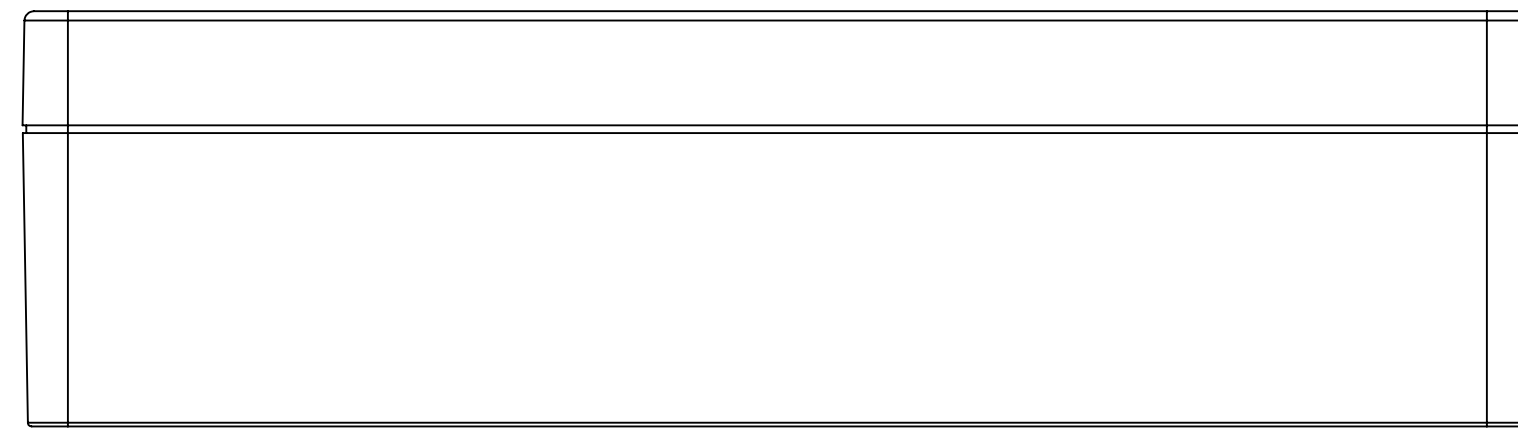
SURFACE-8



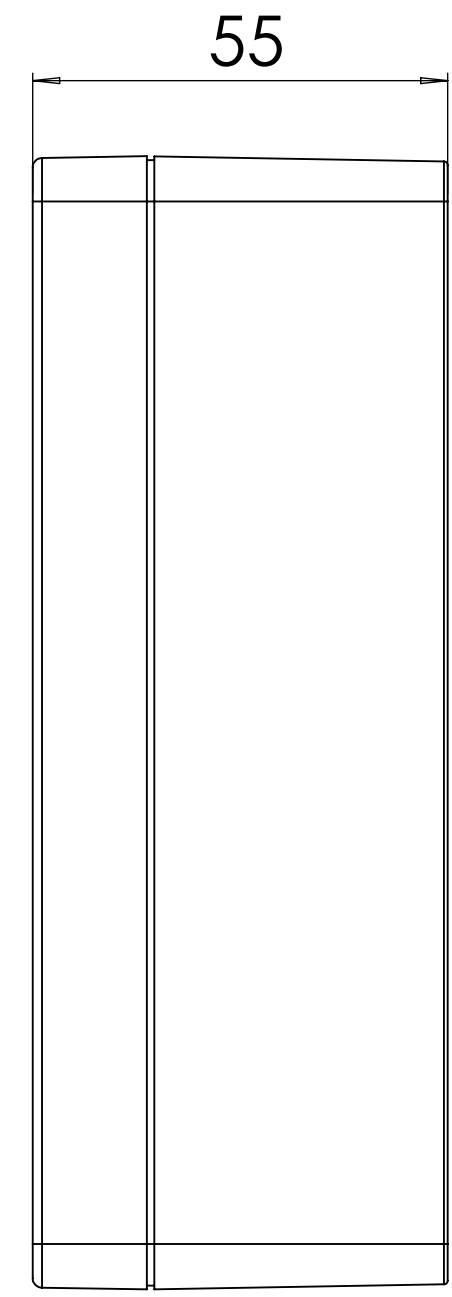
SURFACE-12 (INSIDE)

REV. NO	DATE	REVISED BY	DESCRIPTION OF CHANGE
 <b>ALTINKAYA</b> Electronic Enclosures & Components			<a href="http://www.altinkaya.com">www.altinkaya.com</a>
Customer Name:		Customer Ref.:	
Altinkaya Ref.:		Part Name: SE-252-0-0	
DRAWN	NAME	DATE	Drawn From:
Y.YEL	S.YESILOZ	14.06.2024	
CHECKED	Y.YEL	14.06.2024	Weight:
DIMENSIONAL TOLERANCES UNLESS OTHERWISE SPECIFIED (DIN7168)			
	0.5-3mm	3-6mm	6-30mm
	±0.1	±0.1	±0.2
			±0.3
			±0.5
			m (Medium)
SCALE 1:1			SHEET 1 OF 2
UNIT: mm			A0

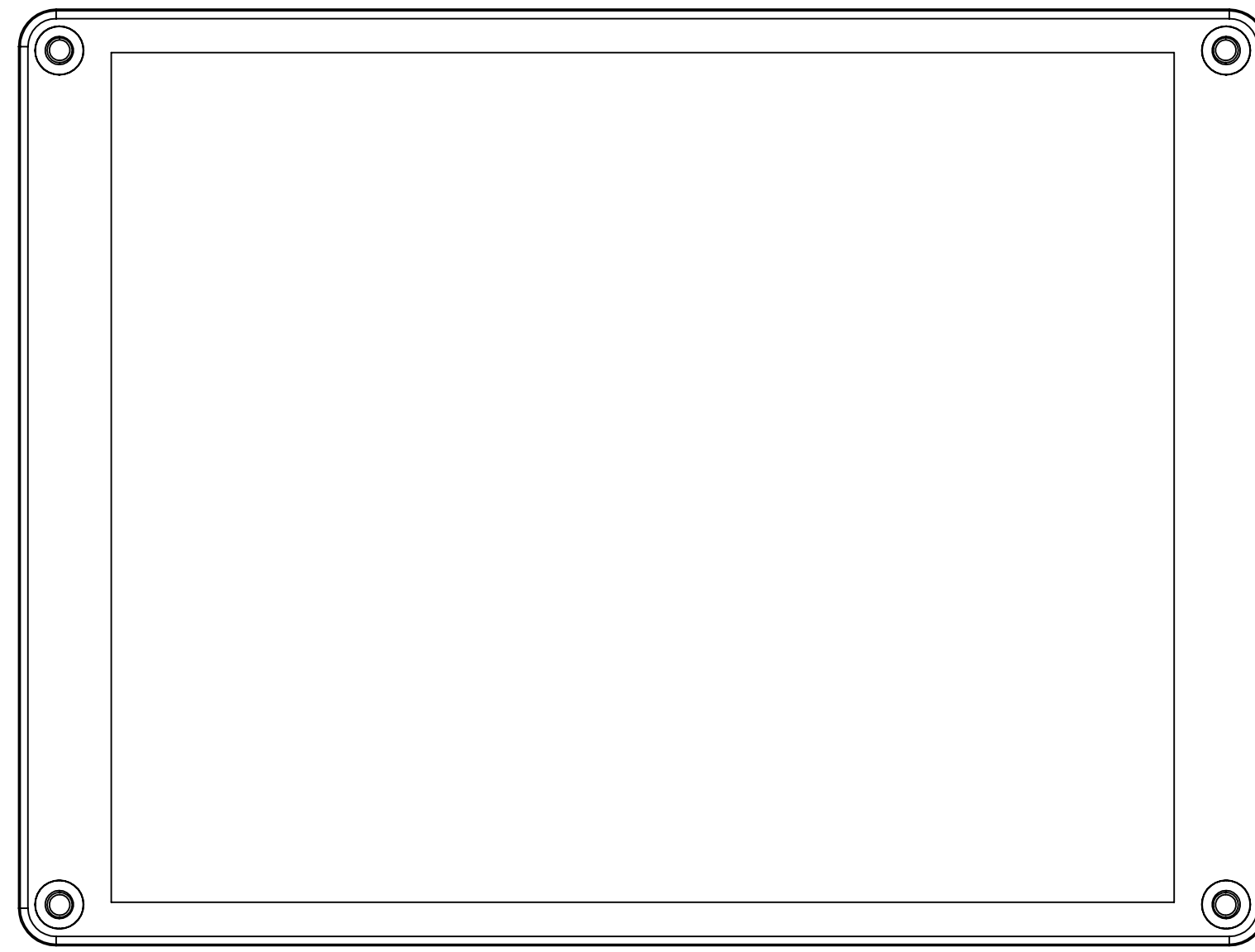
**SE-252 IF MACHINED TOGETHER**



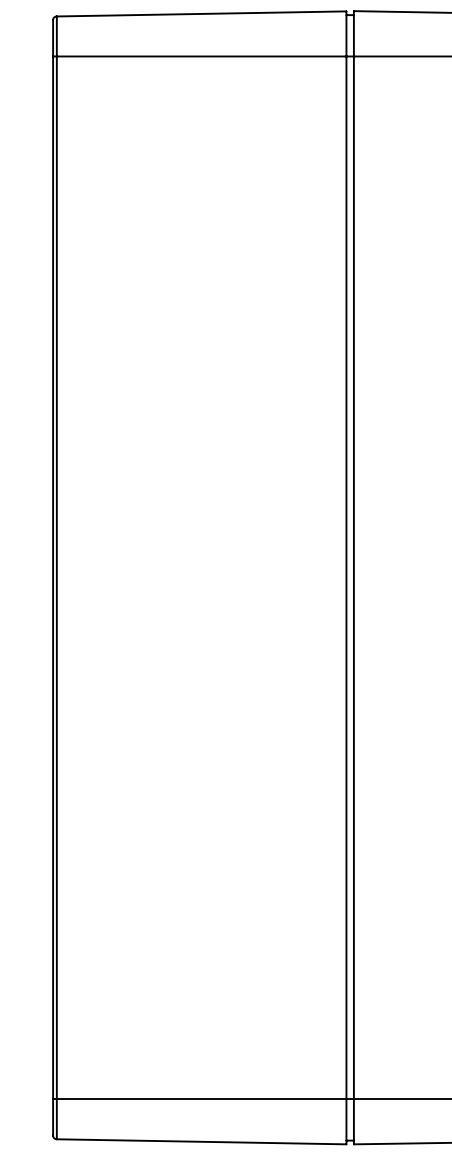
SURFACE-13



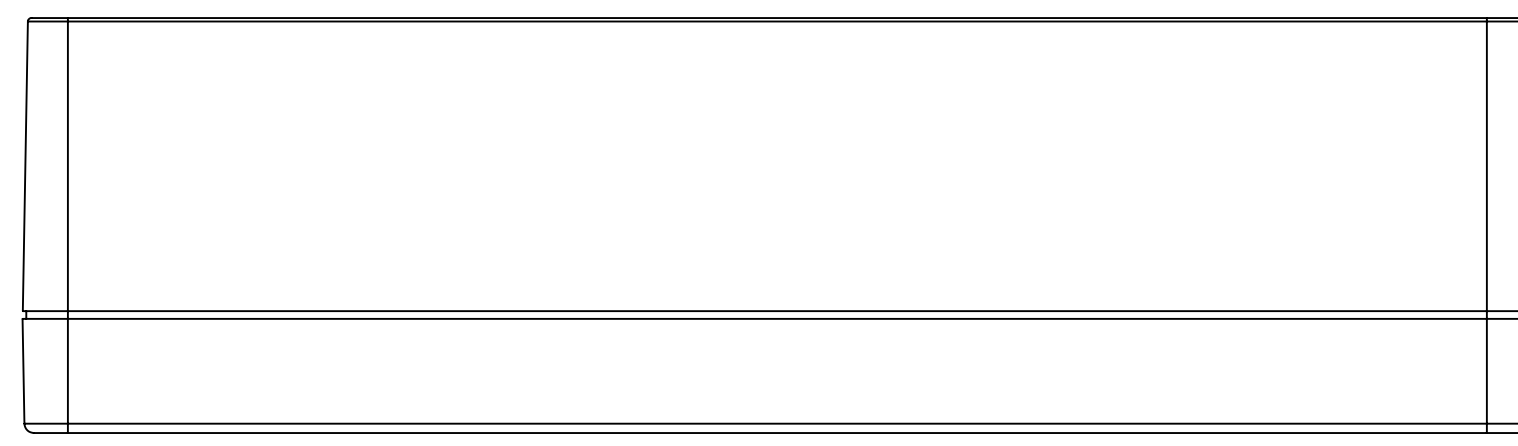
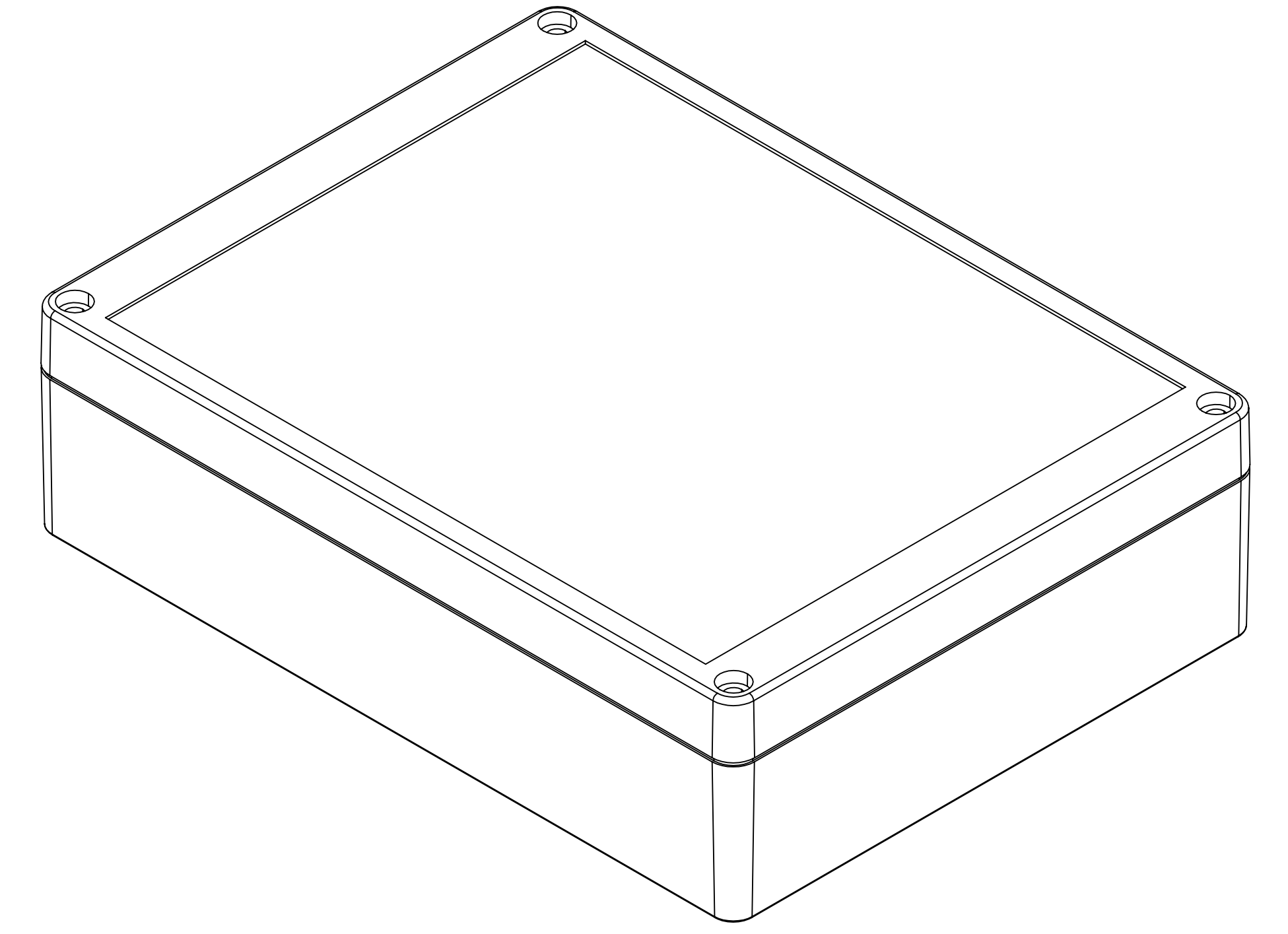
SURFACE-15



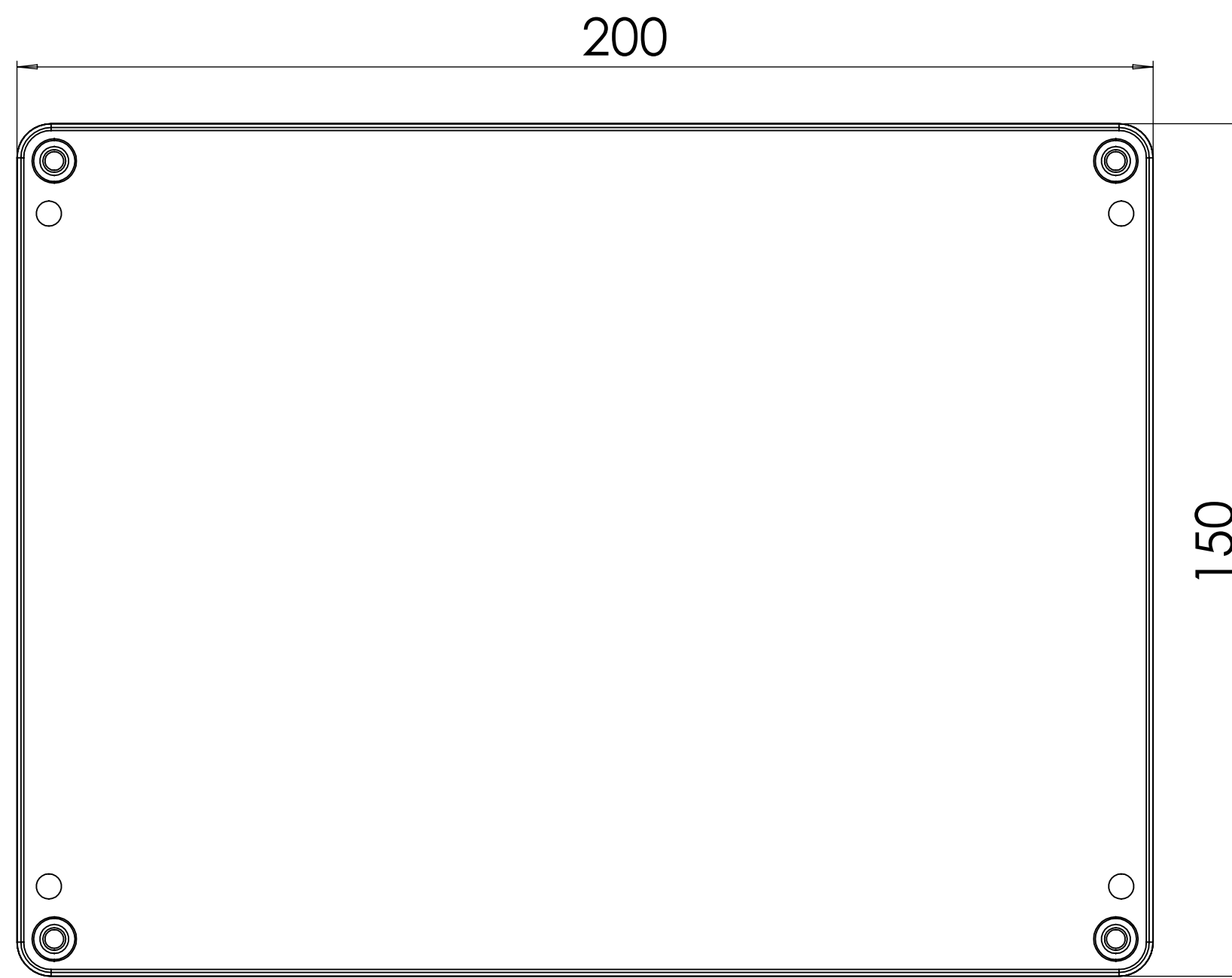
SURFACE-17



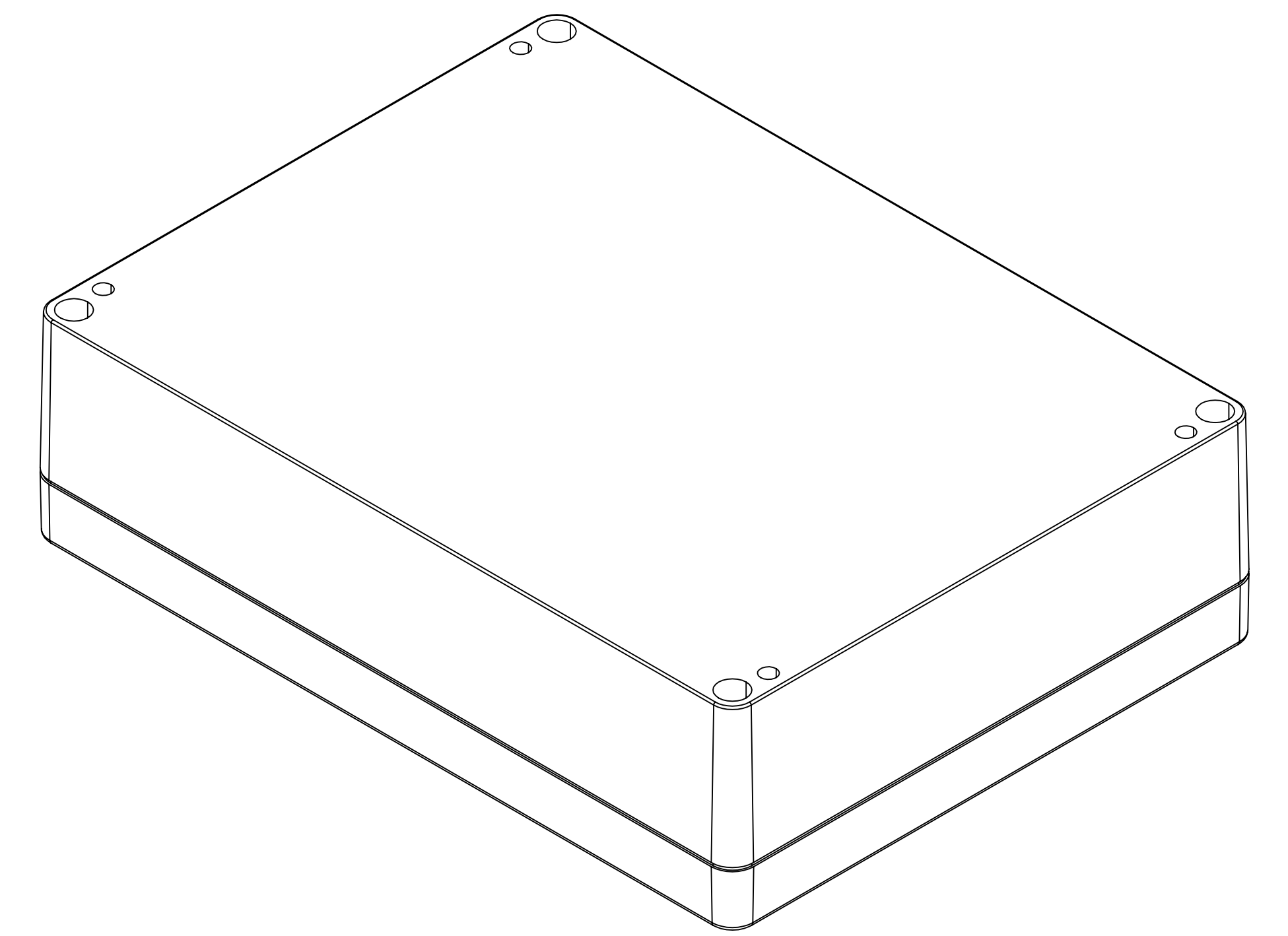
SURFACE-16




SURFACE-14



SURFACE-18



REV. NO	DATE	REVISED BY	DESCRIPTION OF CHANGE			
 <b>ALTINKAYA</b> Electronic Enclosures & Components			<a href="http://www.altinkaya.com">www.altinkaya.com</a>			
Customer Name:		Customer Ref. :				
Altinkaya Ref. :		Part Name: SE-252-0-0				
DRAWN	NAME	DATE	Drawn From :		SCALE 1:1	
CHECKED	Y.YEL	14.06.2024	Material :		SHEET 2 OF 2	
DIMENSIONAL TOLERANCES UNLESS OTHERWISE SPECIFIED (DIN7168)			0.5-3mm	3-6mm	6-30mm	
			±0.1	±0.1	±0.2	
			±0.2	±0.3	±0.5	
			30-120mm		120-400mm	
			Dimension (mm)		Dimension (mm)	
			m (Medium)		UNIT: mm	
					AO	