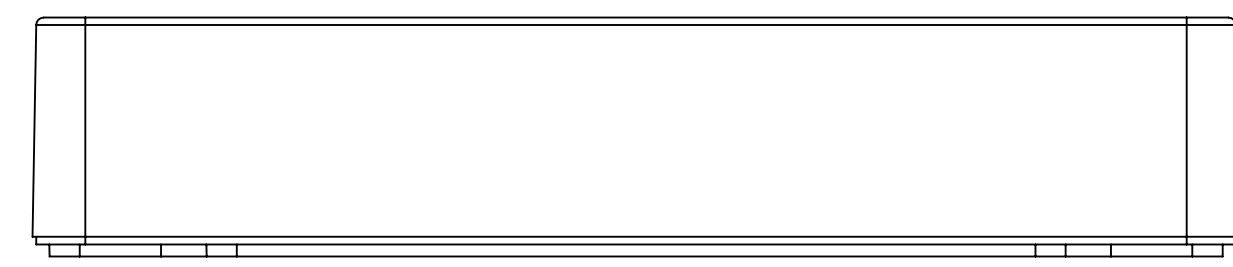
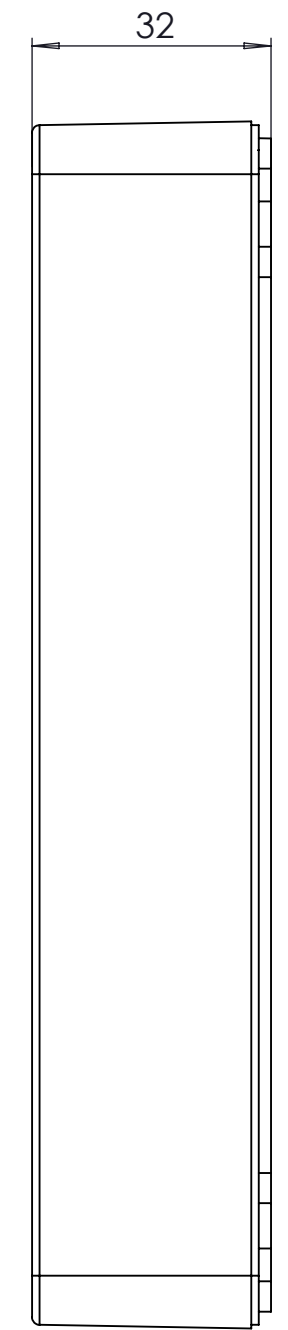


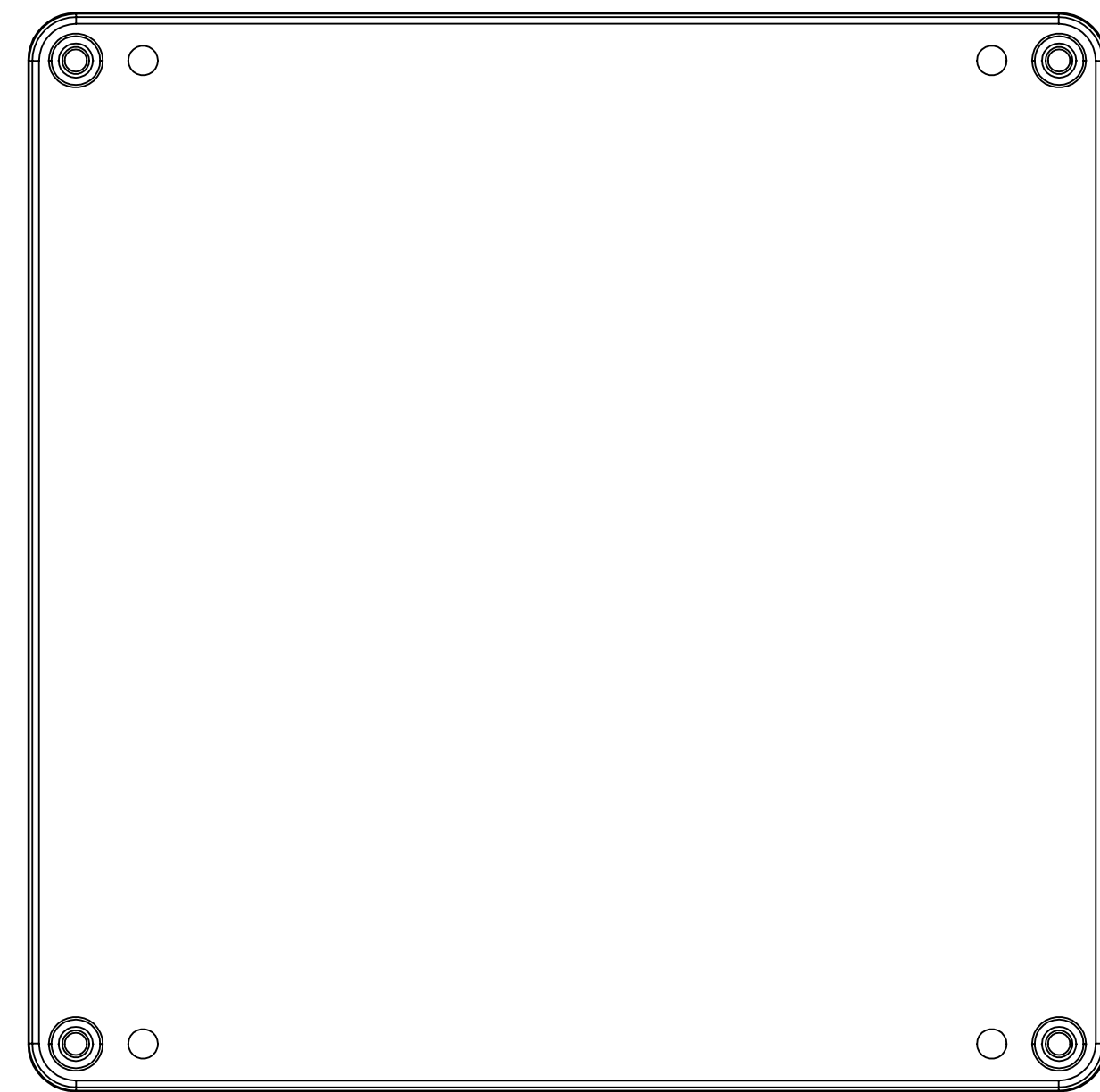
**BASE: 6 SURFACE**



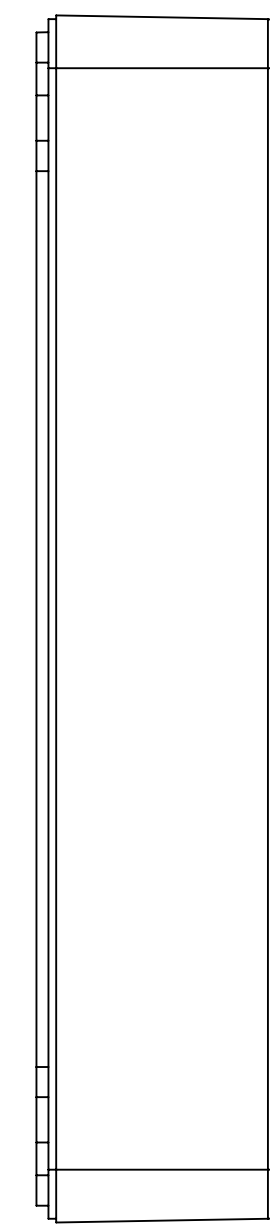
SURFACE-1



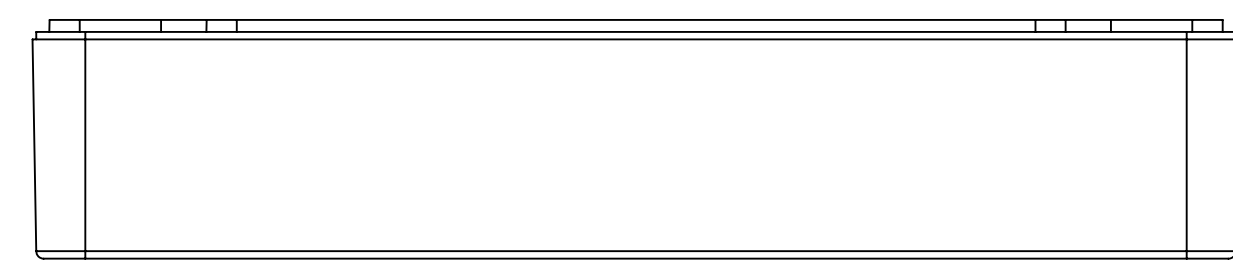
SURFACE-3



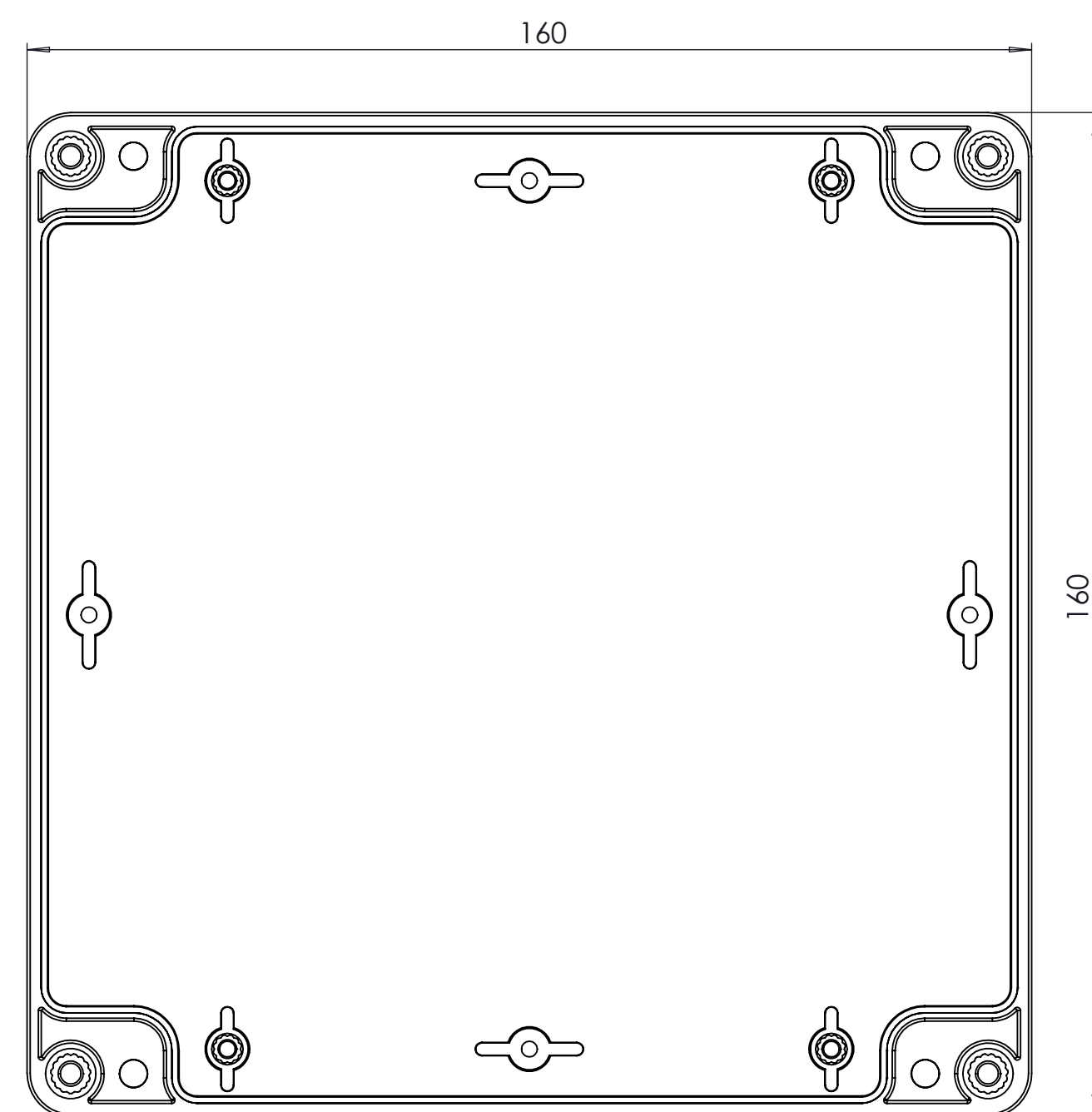
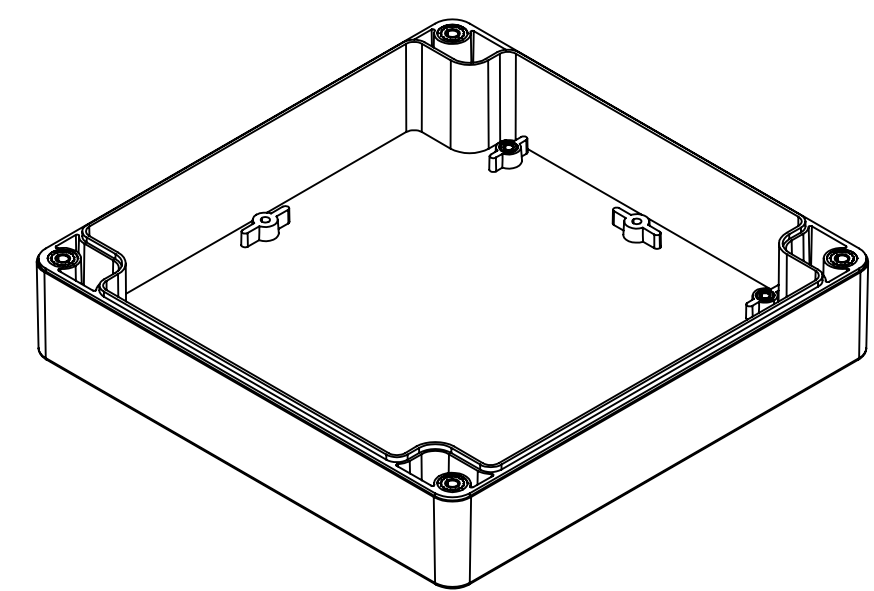
SURFACE-5



SURFACE-4



SURFACE-2

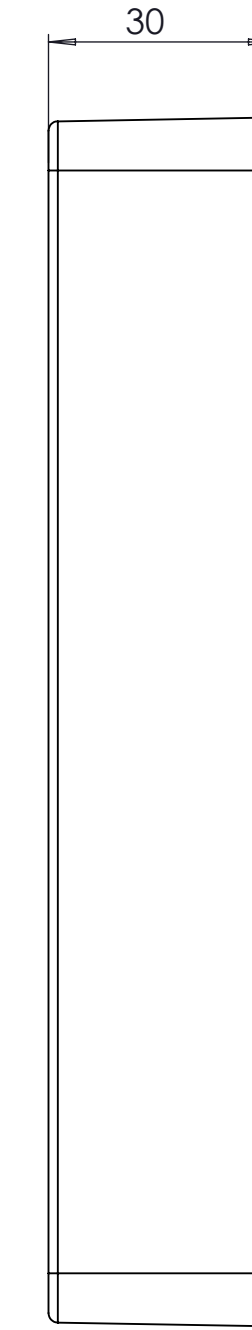


SURFACE-6 (INSIDE)

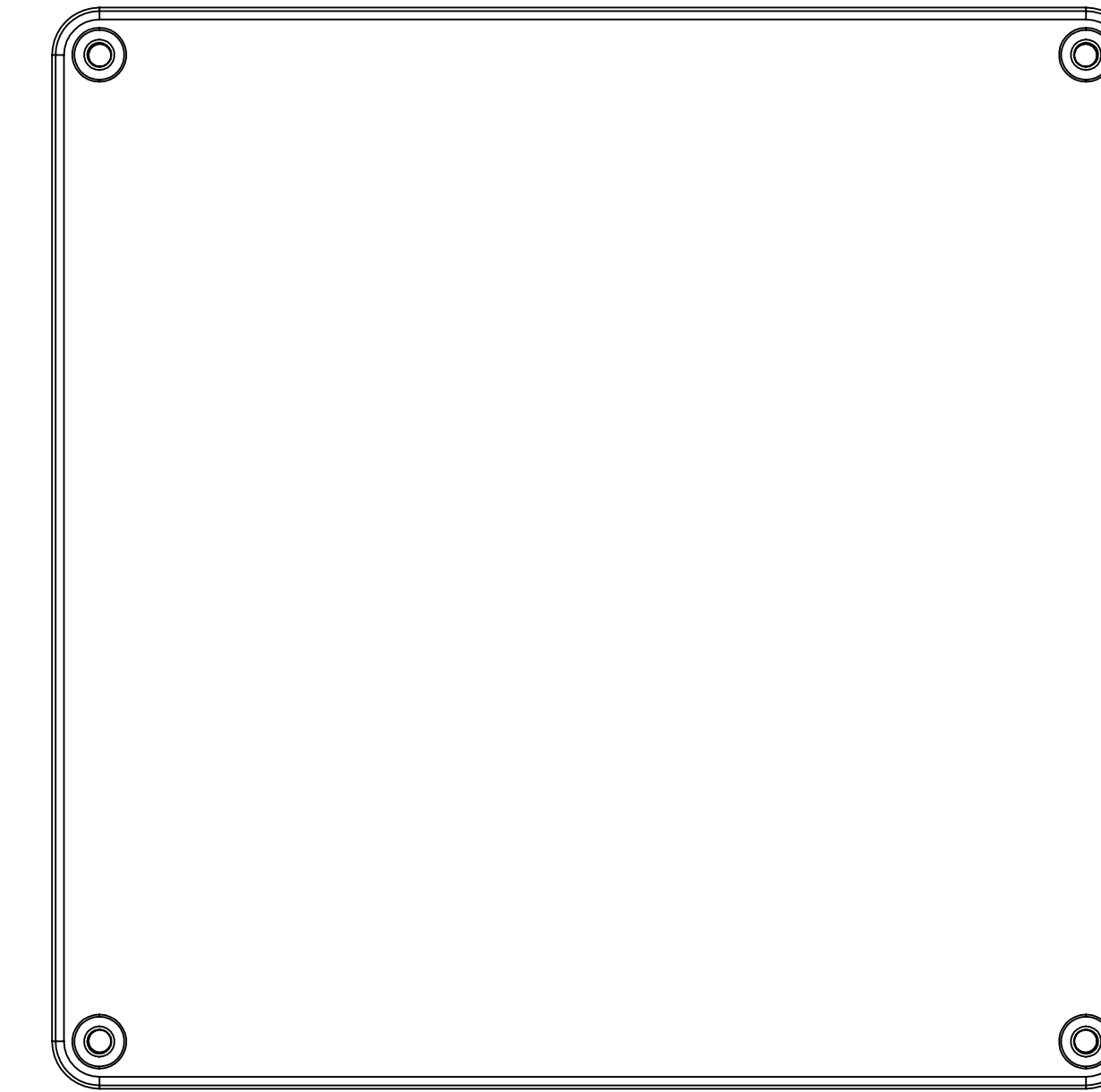
**COVER: 6 SURFACE**



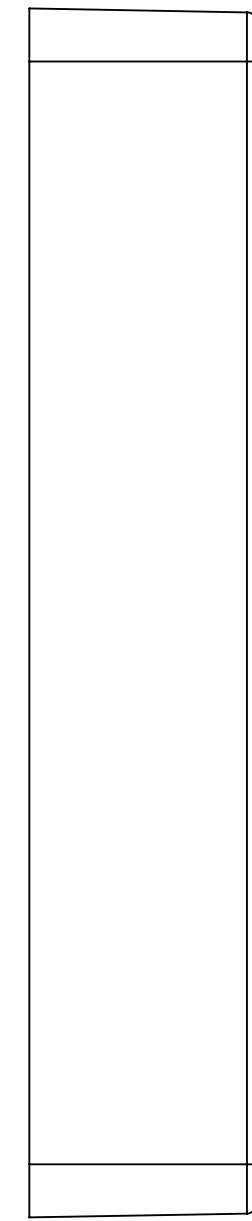
SURFACE-7



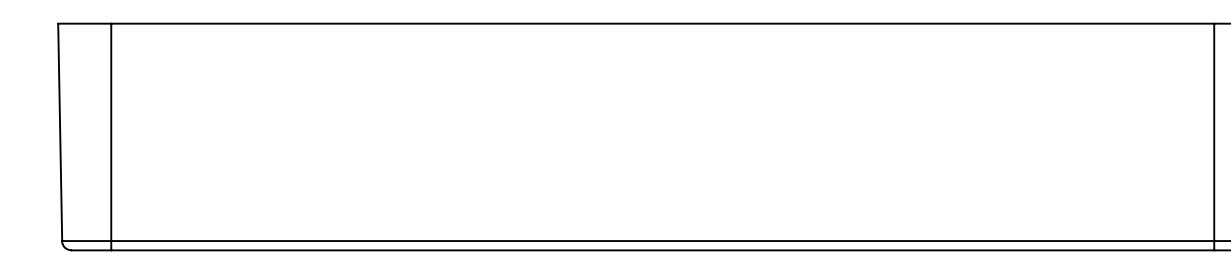
SURFACE-9



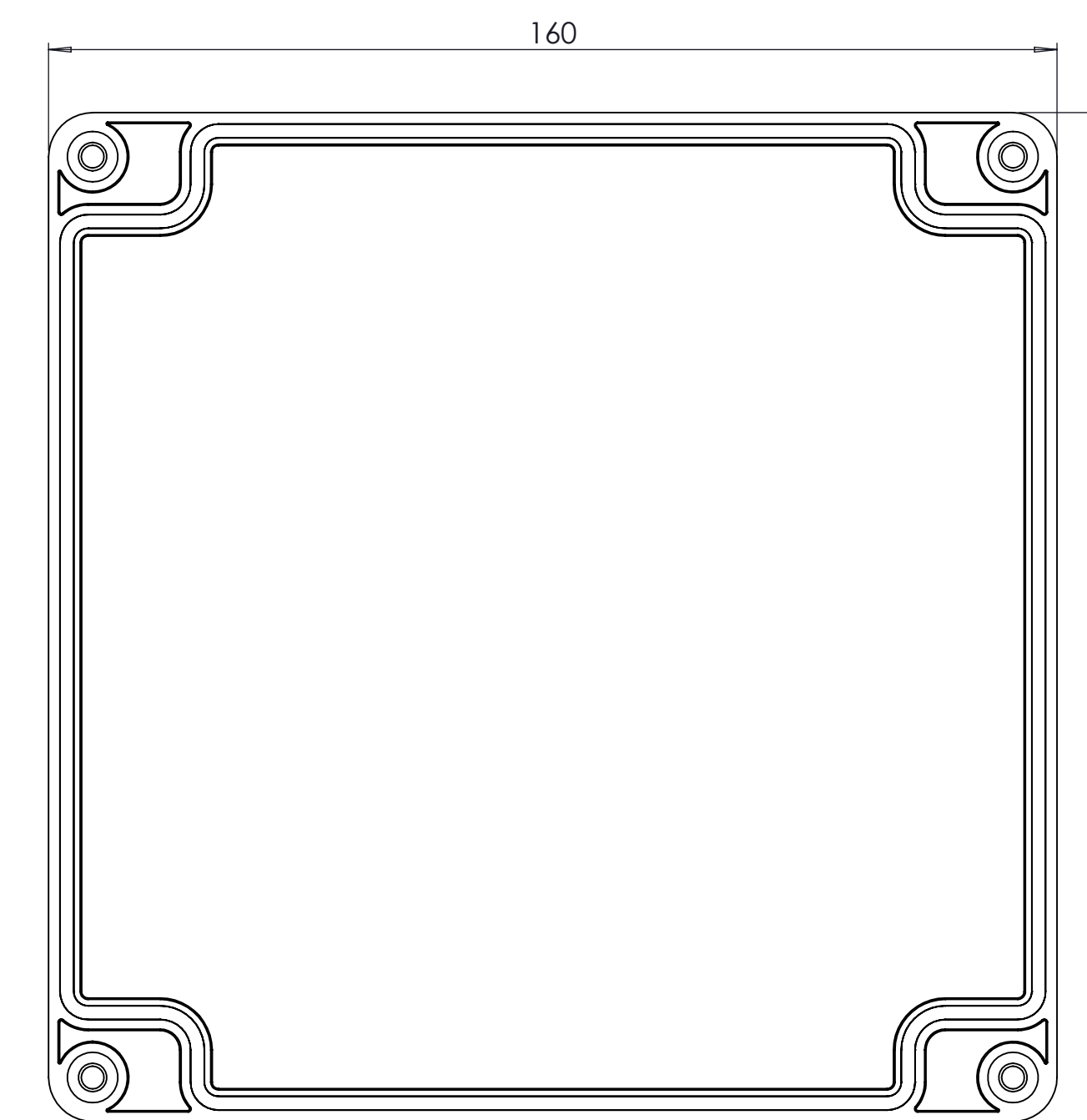
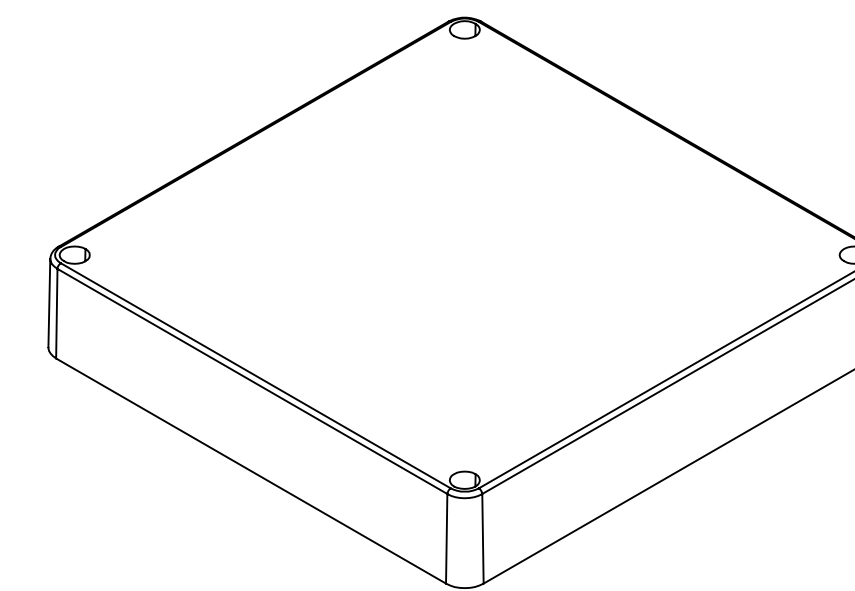
SURFACE-11




SURFACE-10



SURFACE-8



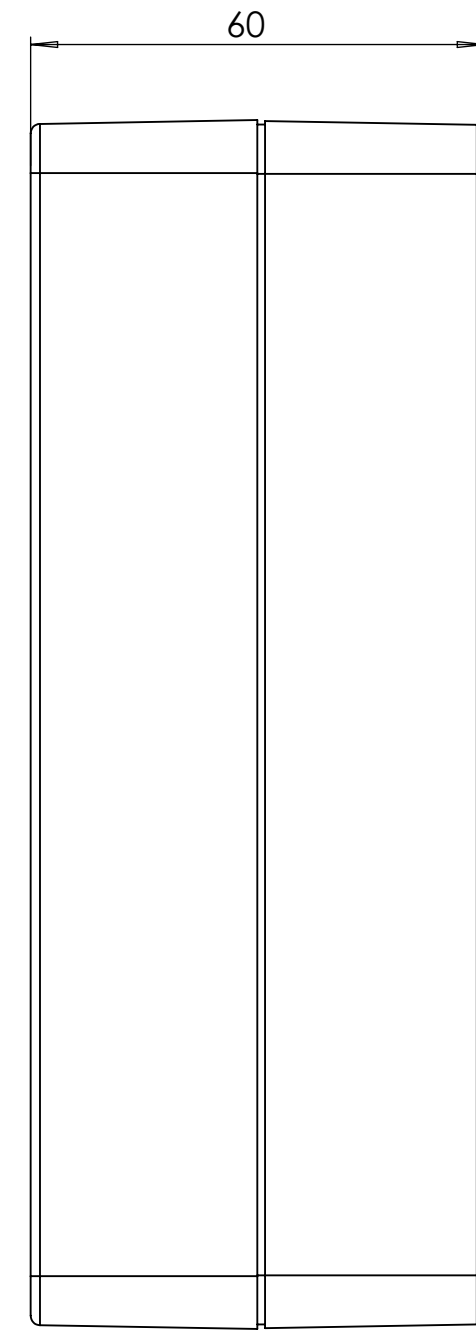
SURFACE-12 (INSIDE)

REV. NO	DATE	REVISED BY	DESCRIPTION OF CHANGE
 <b>ALTINKAYA</b> Electronic Enclosures & Components			
Customer Name:		Customer Ref.:	
Altinkaya Ref.:		Part Name: SE-244-0-0	
DRAWN	NAME	DATE	Drawn From:
CHECKED	Y.YEL	14.06.2024	Weight:
DIMENSIONAL TOLERANCES UNLESS OTHERWISE SPECIFIED (DIN7168)			
±0.1	±0.1	±0.2	±0.3
±0.1	±0.1	±0.2	±0.5
Dimension (mm)			UNIT: mm
SCALE 1:1			SHEET 01 OF 2
www.altinkaya.com			A0

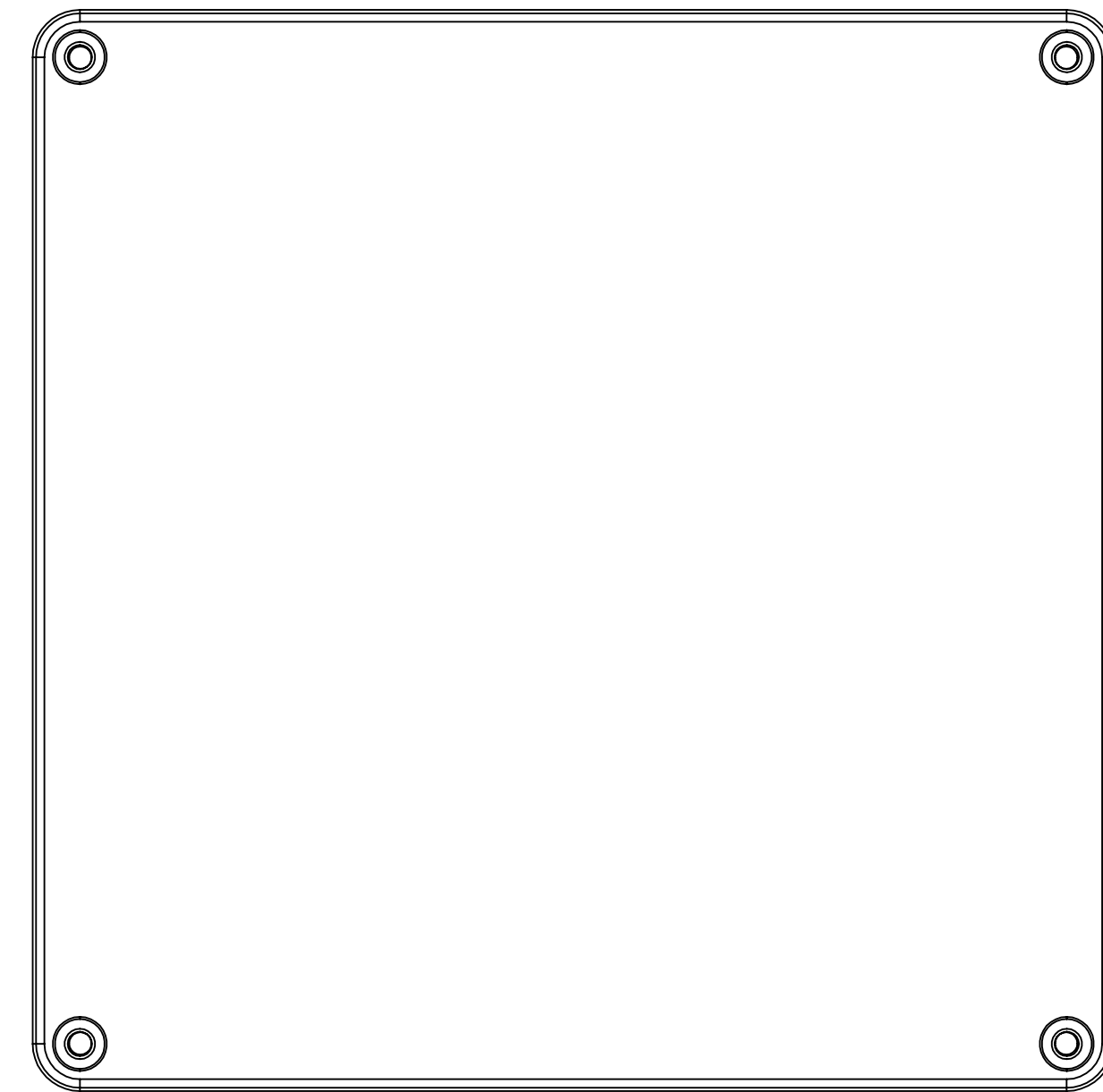
**SE-244 IF MACHINED TOGETHER**



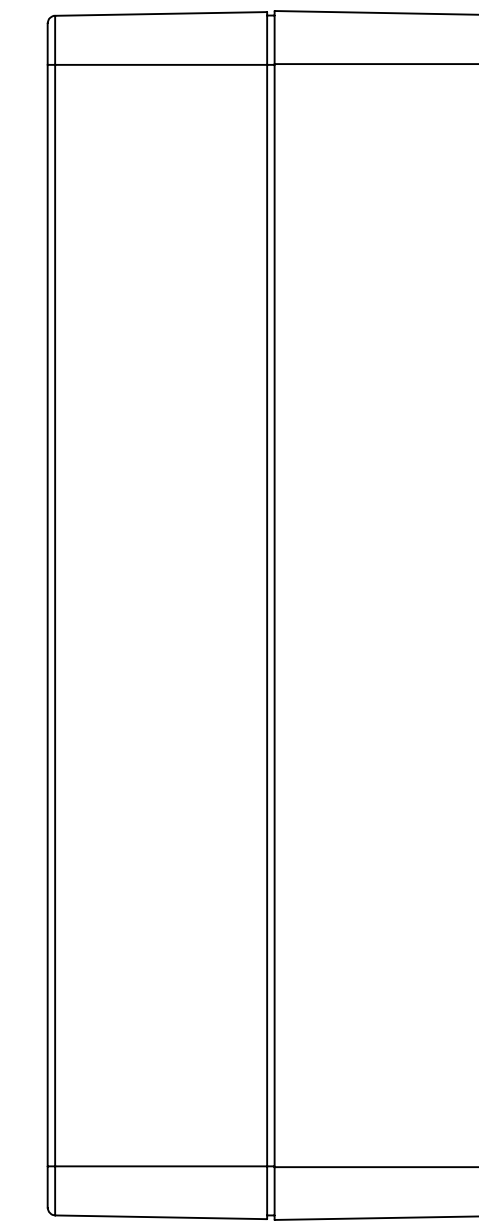
SURFACE-13



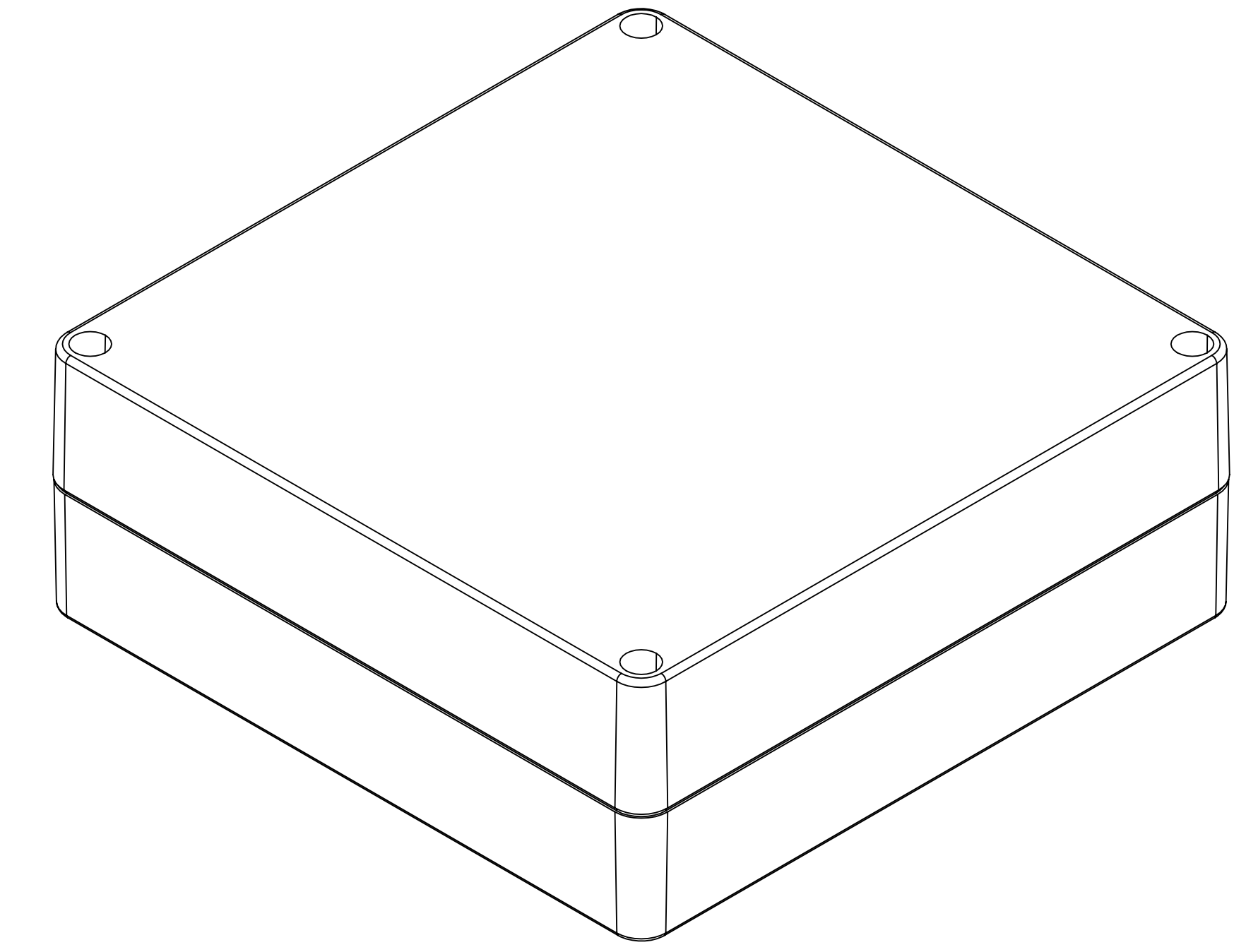
SURFACE-15



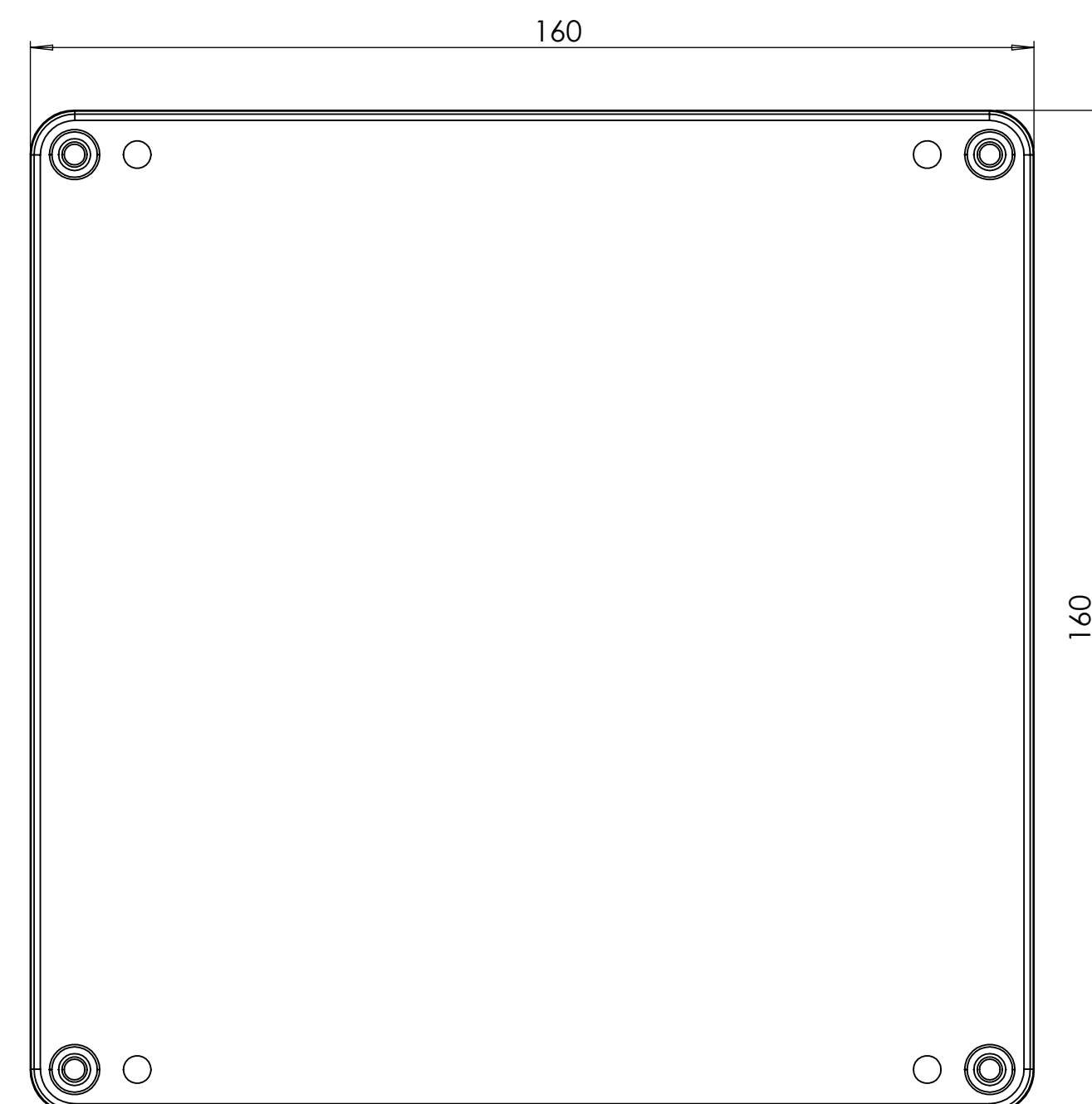
SURFACE-17



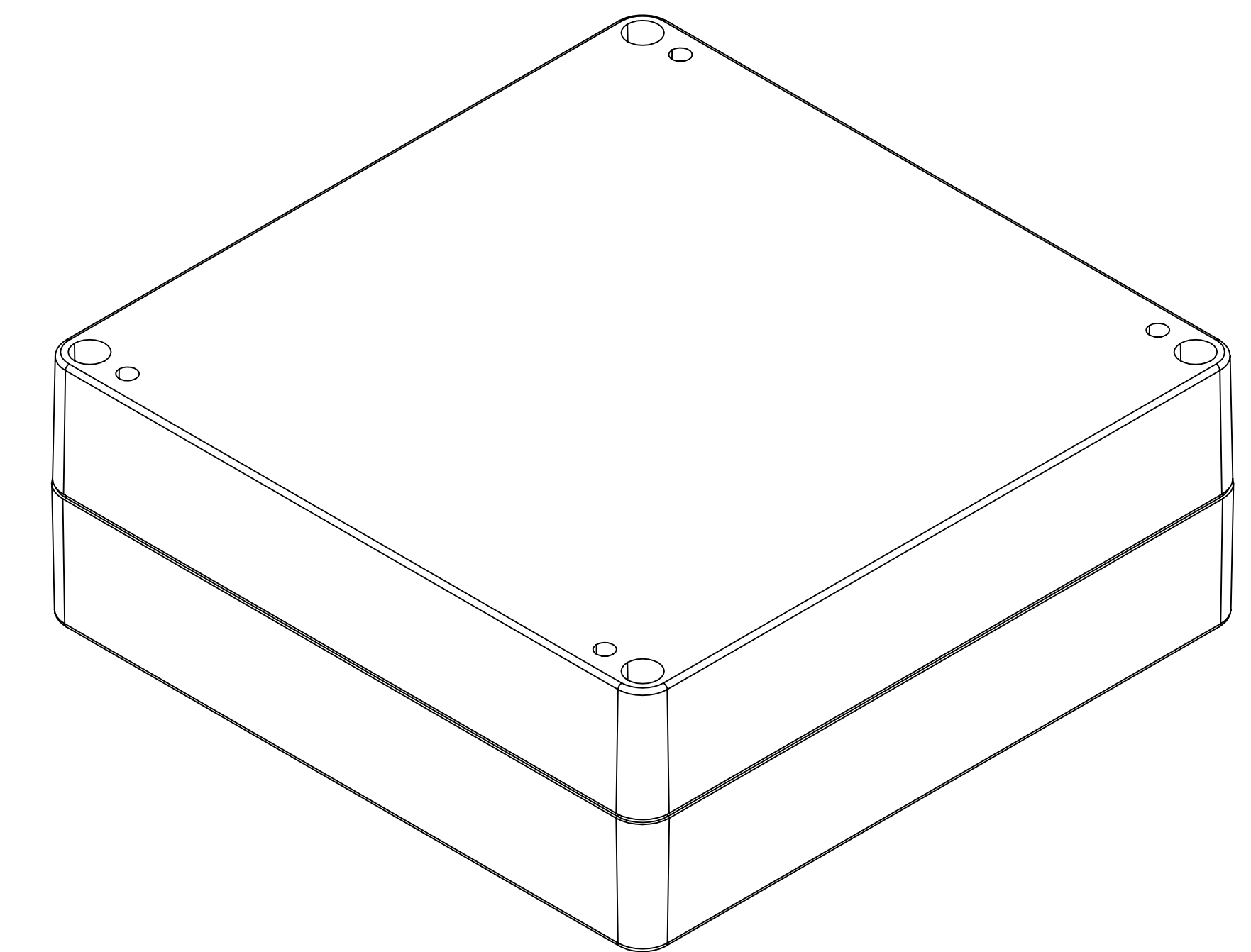
SURFACE-16




SURFACE-14



SURFACE-18



REV. NO	DATE	REVISED BY	DESCRIPTION OF CHANGE	
 <b>ALTINKAYA</b> Electronic Enclosures & Components			<a href="http://www.altinkaya.com">www.altinkaya.com</a>	
Customer Name:		Customer Ref. :		
Altinkaya Ref. :		Part Name: SE-244-0-0		
DRAWN	NAME	DATE	Drawn From :	SCALE 1:1
	S.YESILOZ	14.06.2024	Material :	SHEET 2 OF 2
CHECKED	Y.YEL	14.06.2024	Weight :	UNIT: mm
DIMENSIONAL TOLERANCES UNLESS OTHERWISE SPECIFIED (DIN7168)				
	±0.1	±0.1	±0.2	±0.3
			±0.5	±0.5
				m (Medium)