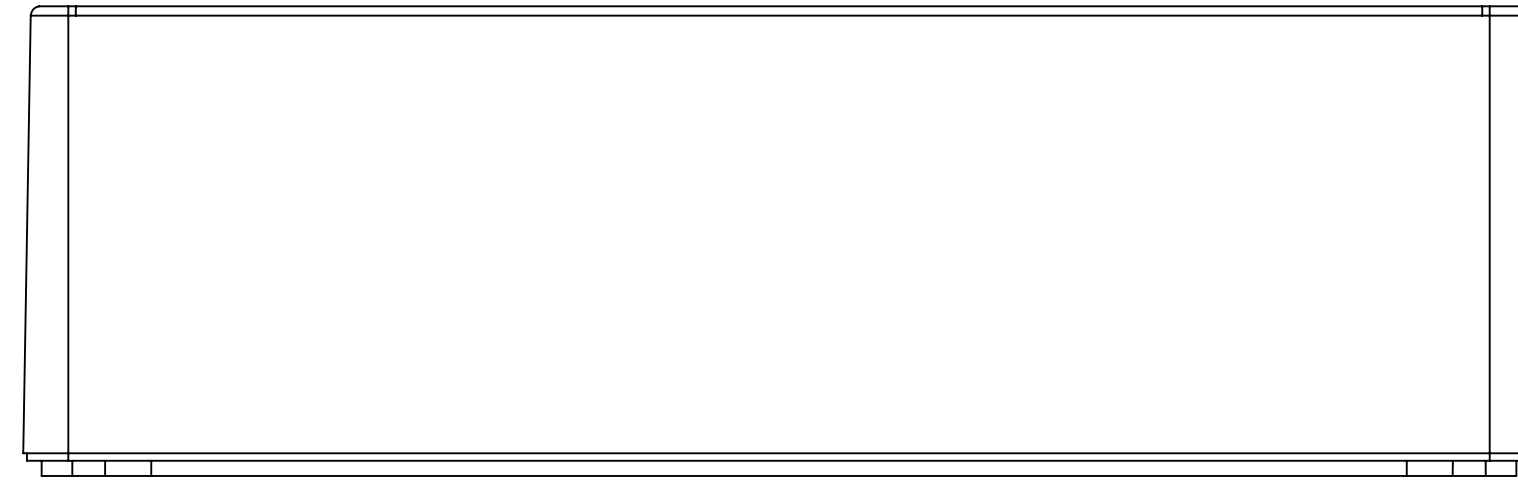
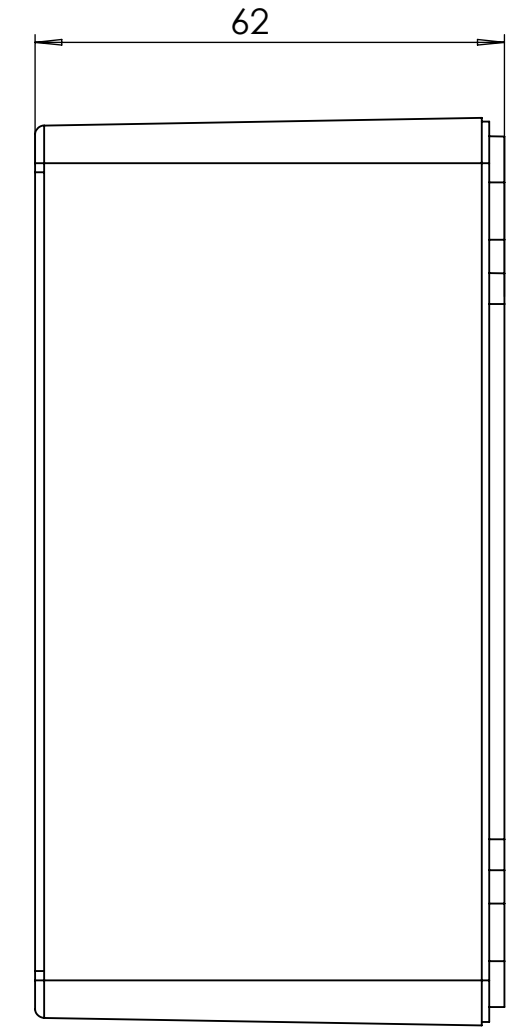


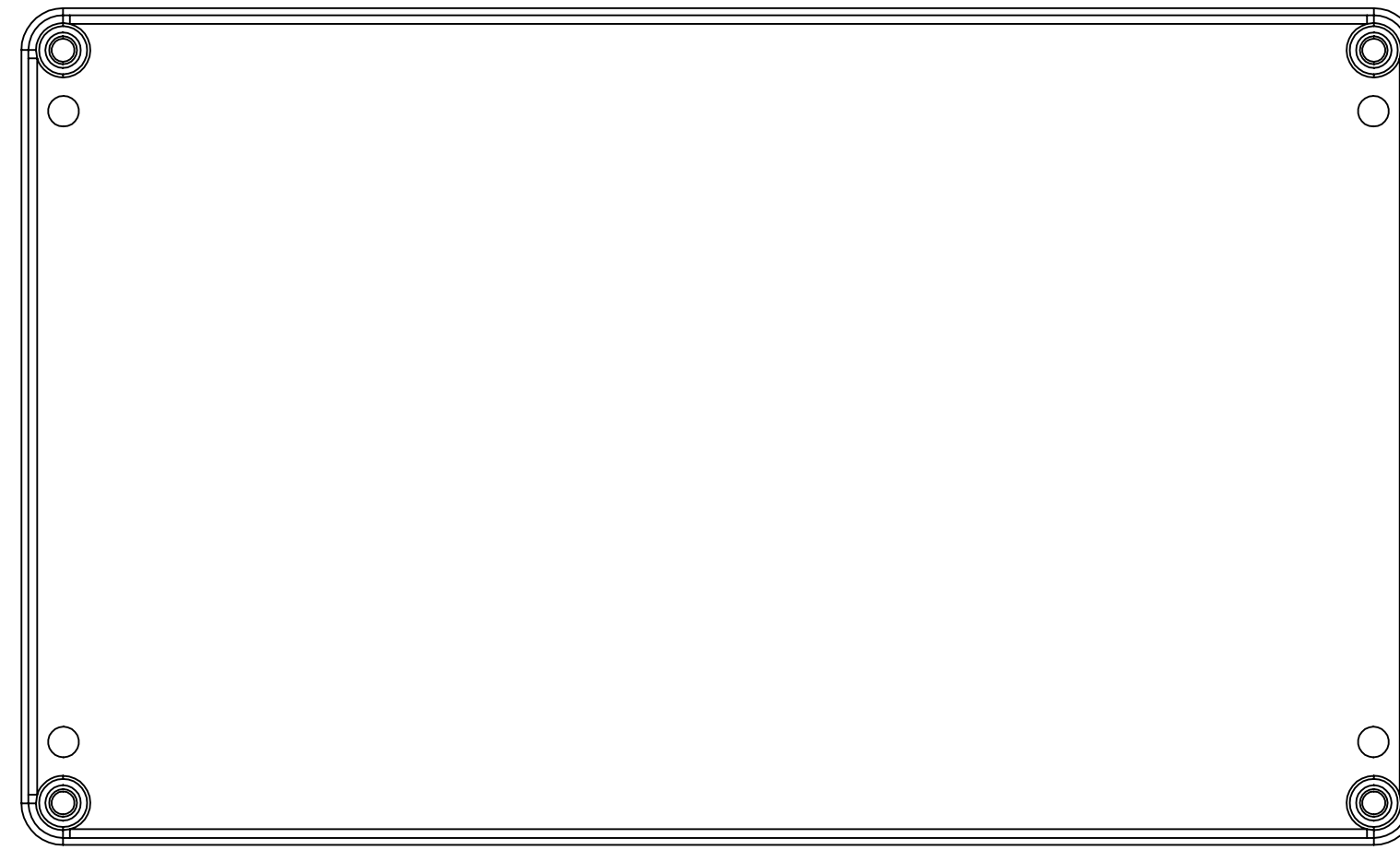
BASE: 6 SURFACE



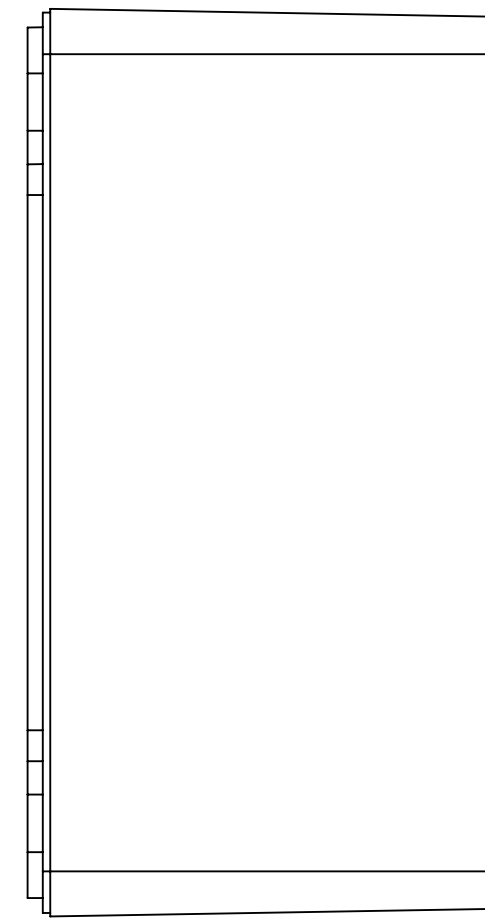
SURFACE-1



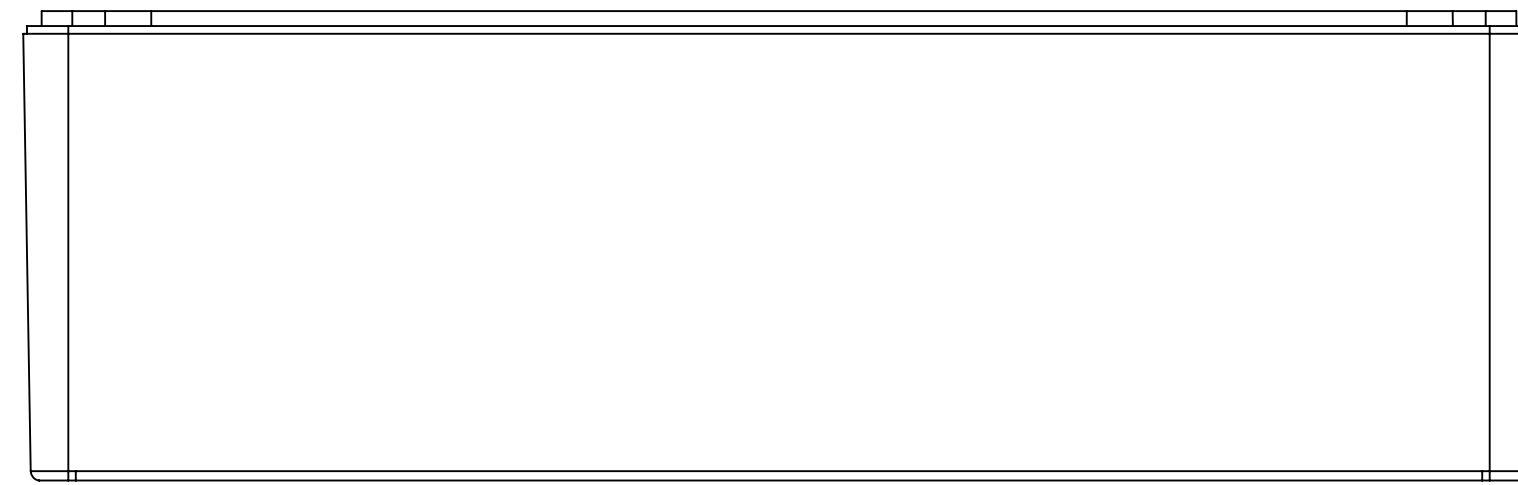
SURFACE-3



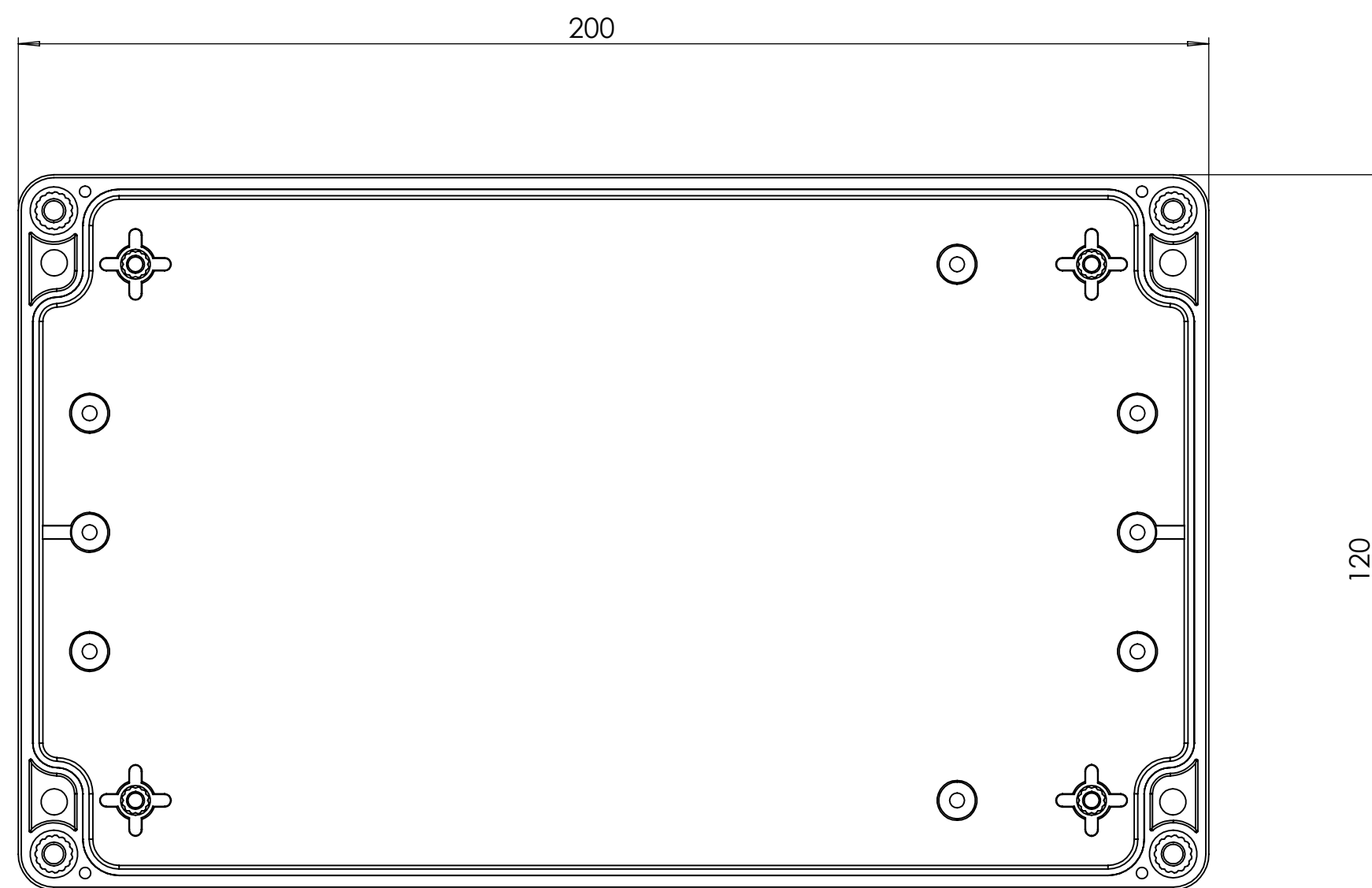
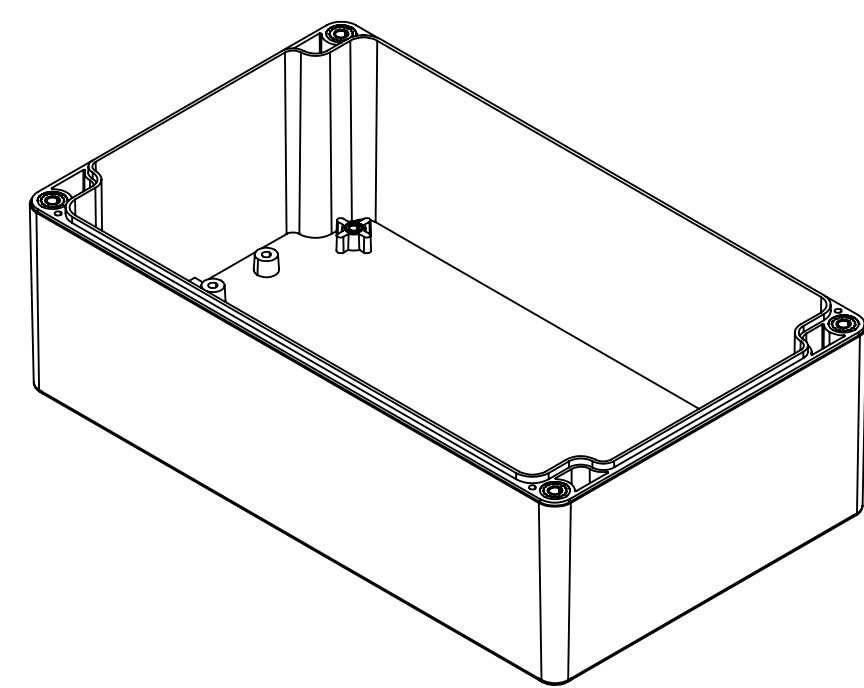
SURFACE-5



SURFACE-4

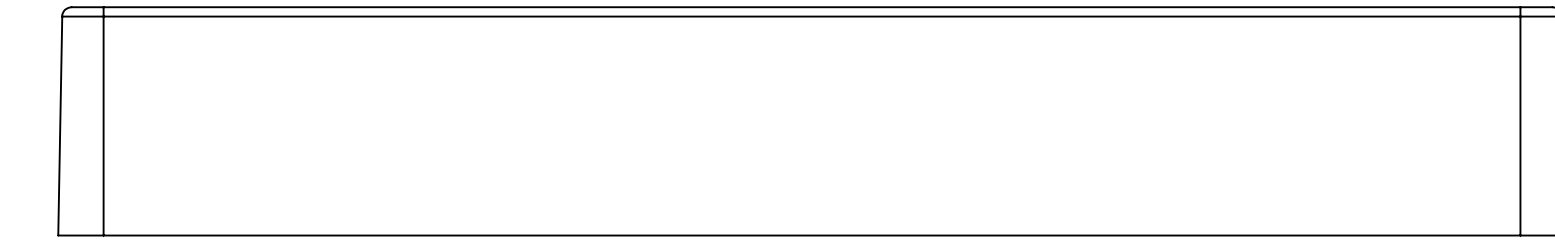


SURFACE-2

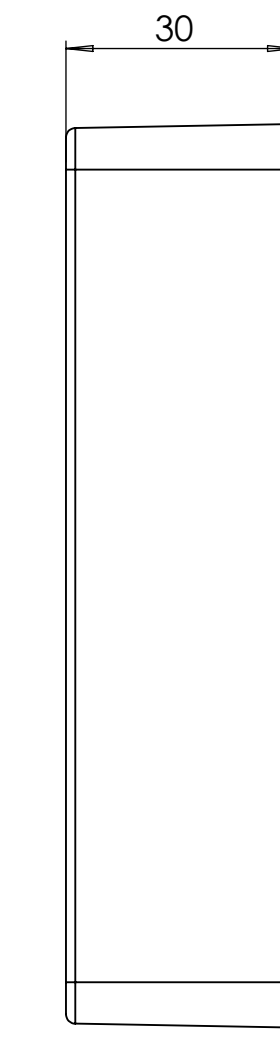


SURFACE-6 (INSIDE)

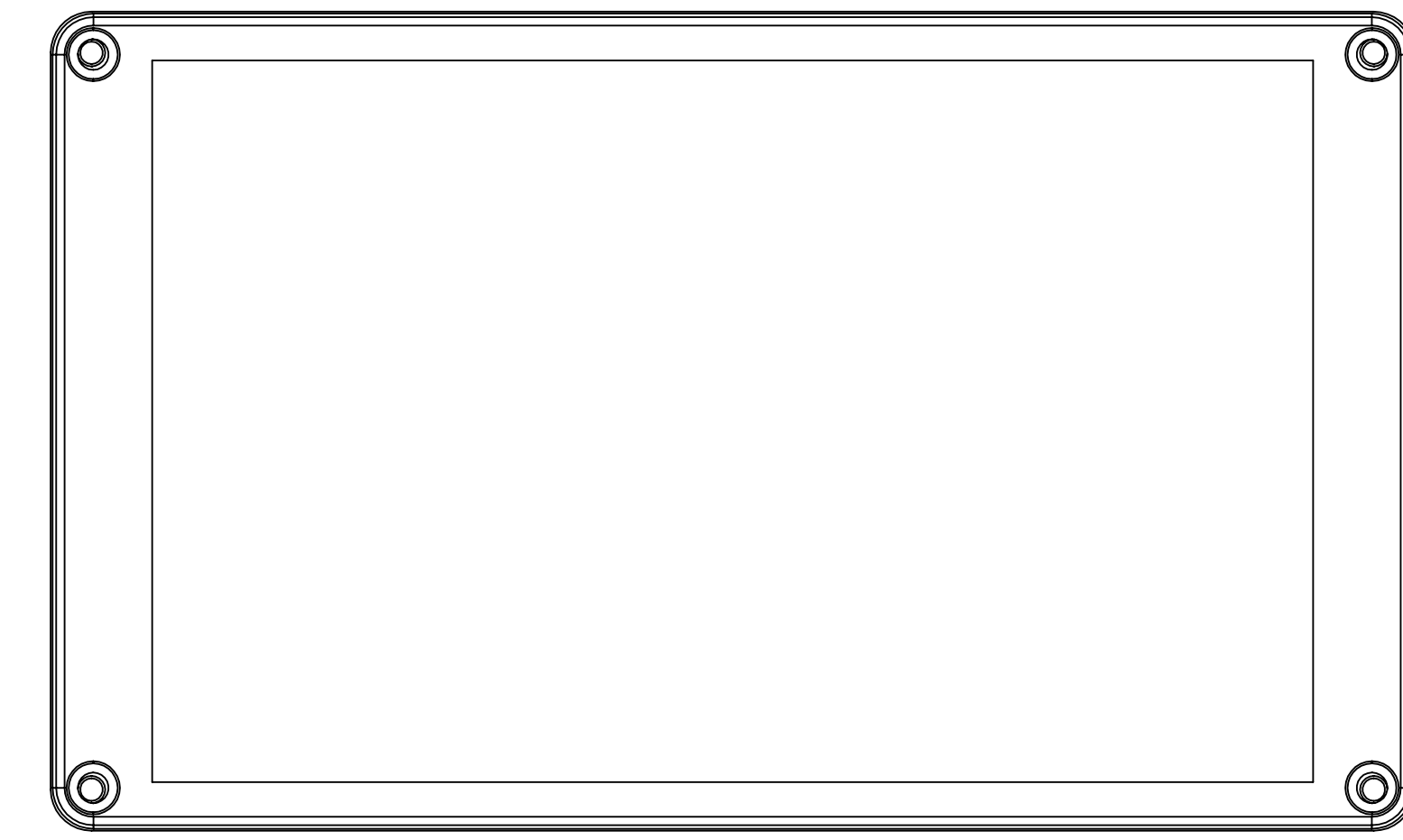
COVER: 6 SURFACE



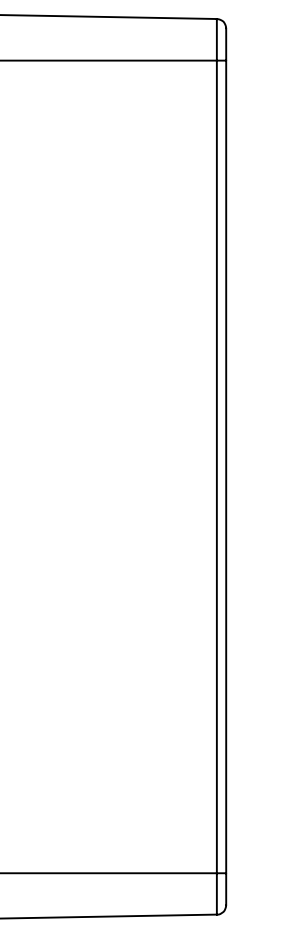
SURFACE-7



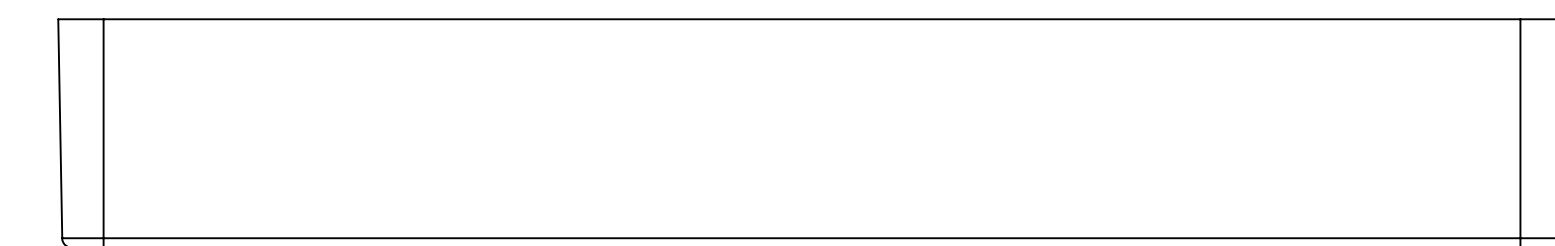
SURFACE-9



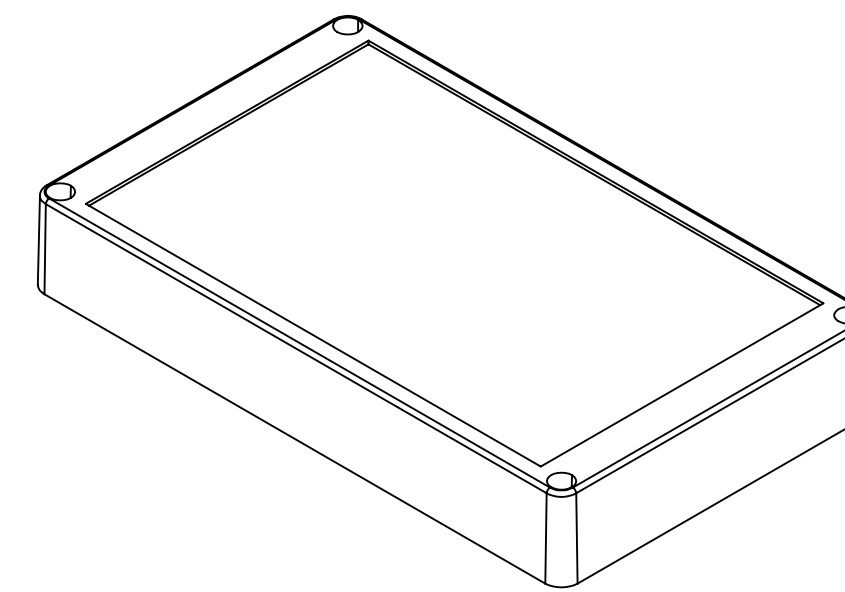
SURFACE-11




SURFACE-10



SURFACE-8



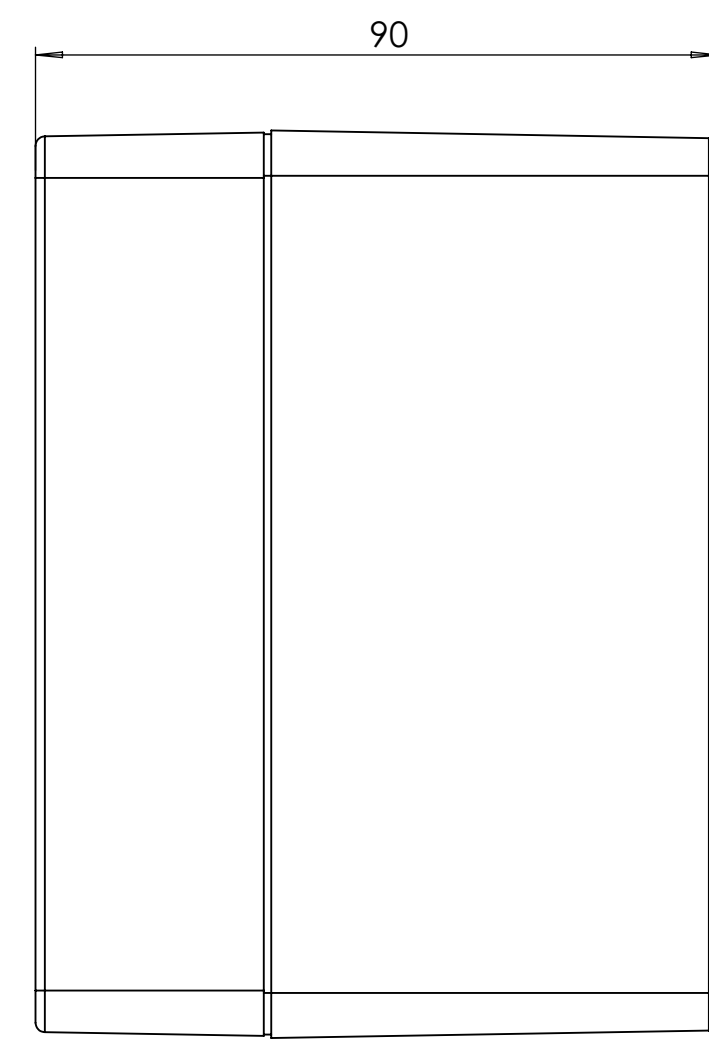
SURFACE-12 (INSIDE)

REV. NO	DATE	REVISED BY	DESCRIPTION OF CHANGE
 ALTINKAYA Electronic Enclosures & Components			www.altinkaya.com
Customer Name:		Customer Ref.:	
Altinkaya Ref.:		Part Name: SE-242-0-0	
DRAWN	NAME	DATE	Drawn From:
CHECKED	Y.YEL	14.06.2024	Material:
DIMENSIONAL TOLERANCES UNLESS OTHERWISE SPECIFIED (DIN7168)		0.5-3mm	3-6mm
		±0.1	±0.1
		6-30mm	±0.2
		30-120mm	±0.3
		120-400mm	±0.5
		Dimension (mm)	m (Medium)
		SCALE 1:1	SHEET 1 OF 2
		UNIT: mm	A0

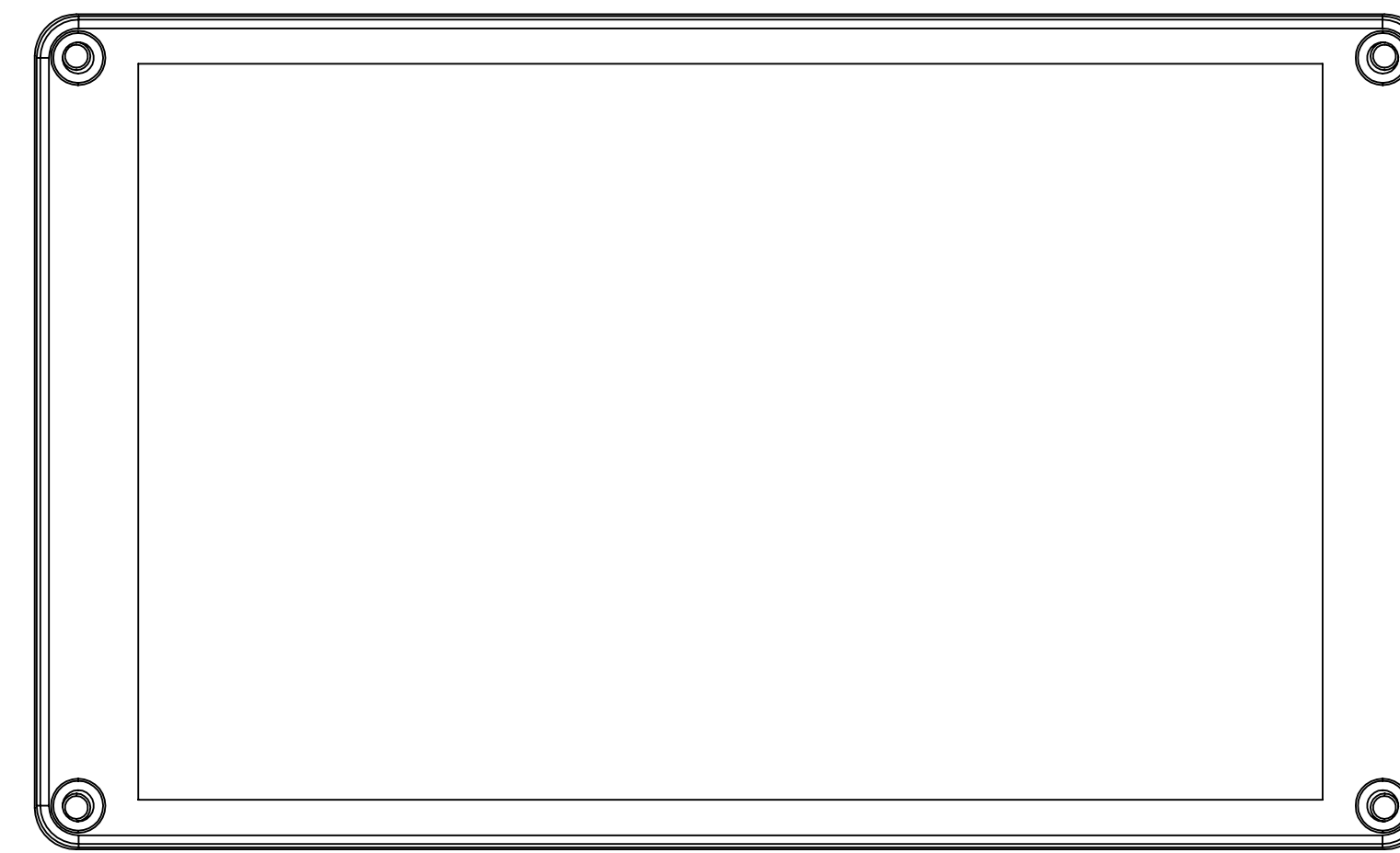
SE-242 IF MACHINED TOGETHER



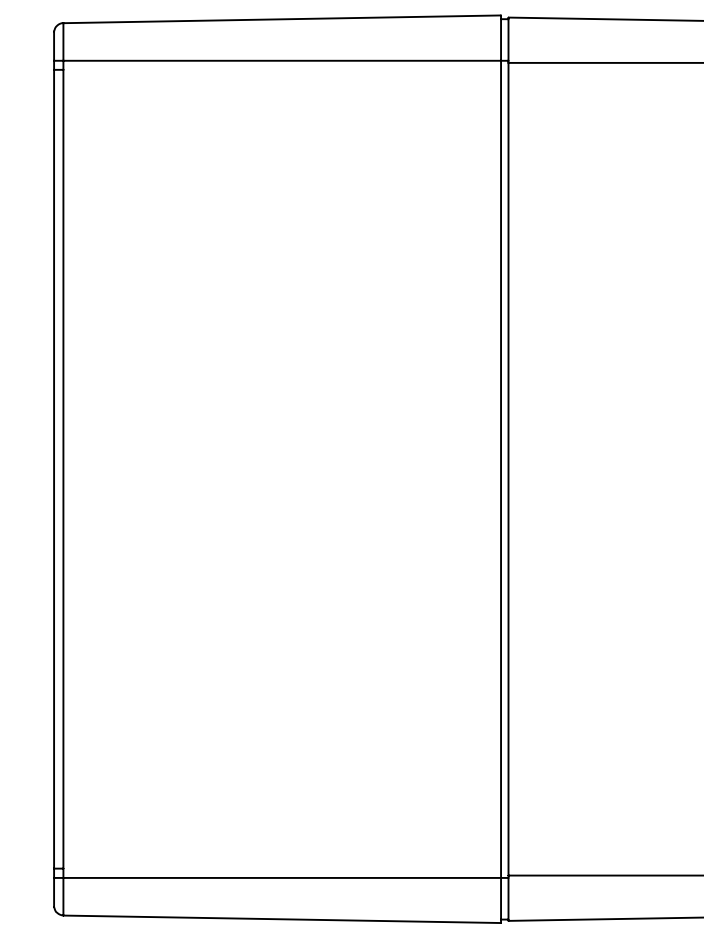
SURFACE-13



SURFACE-15



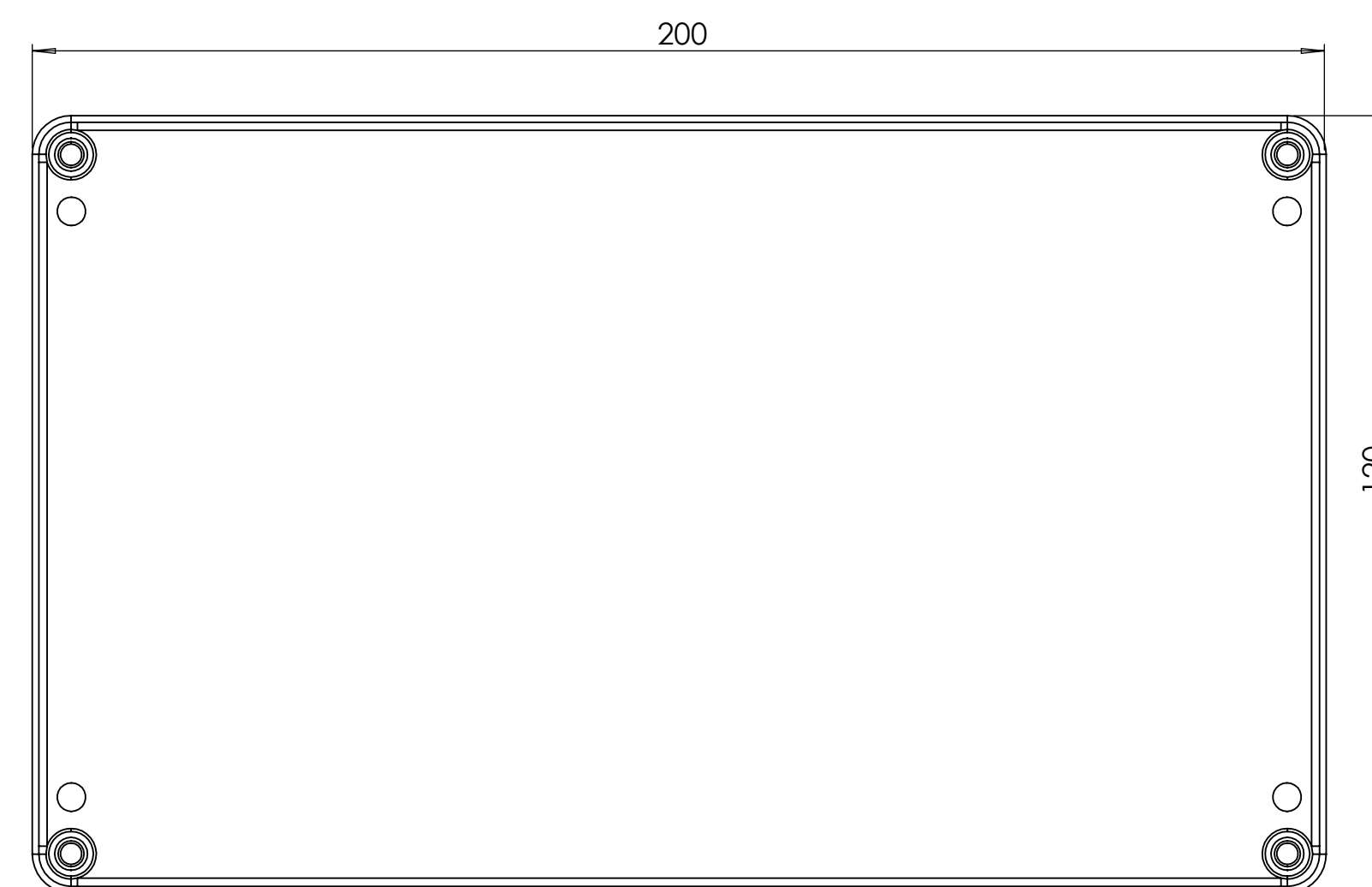
SURFACE-18



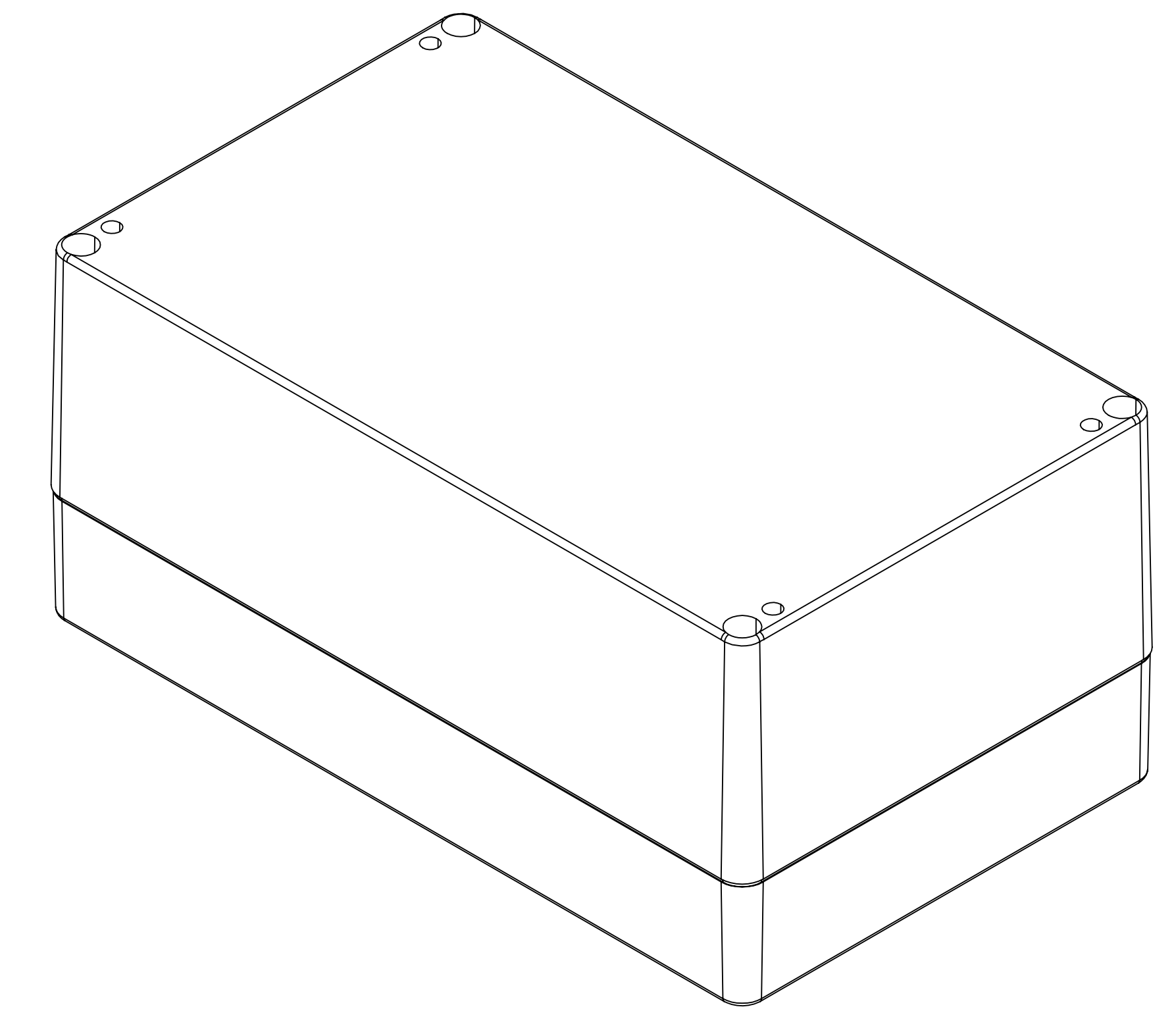
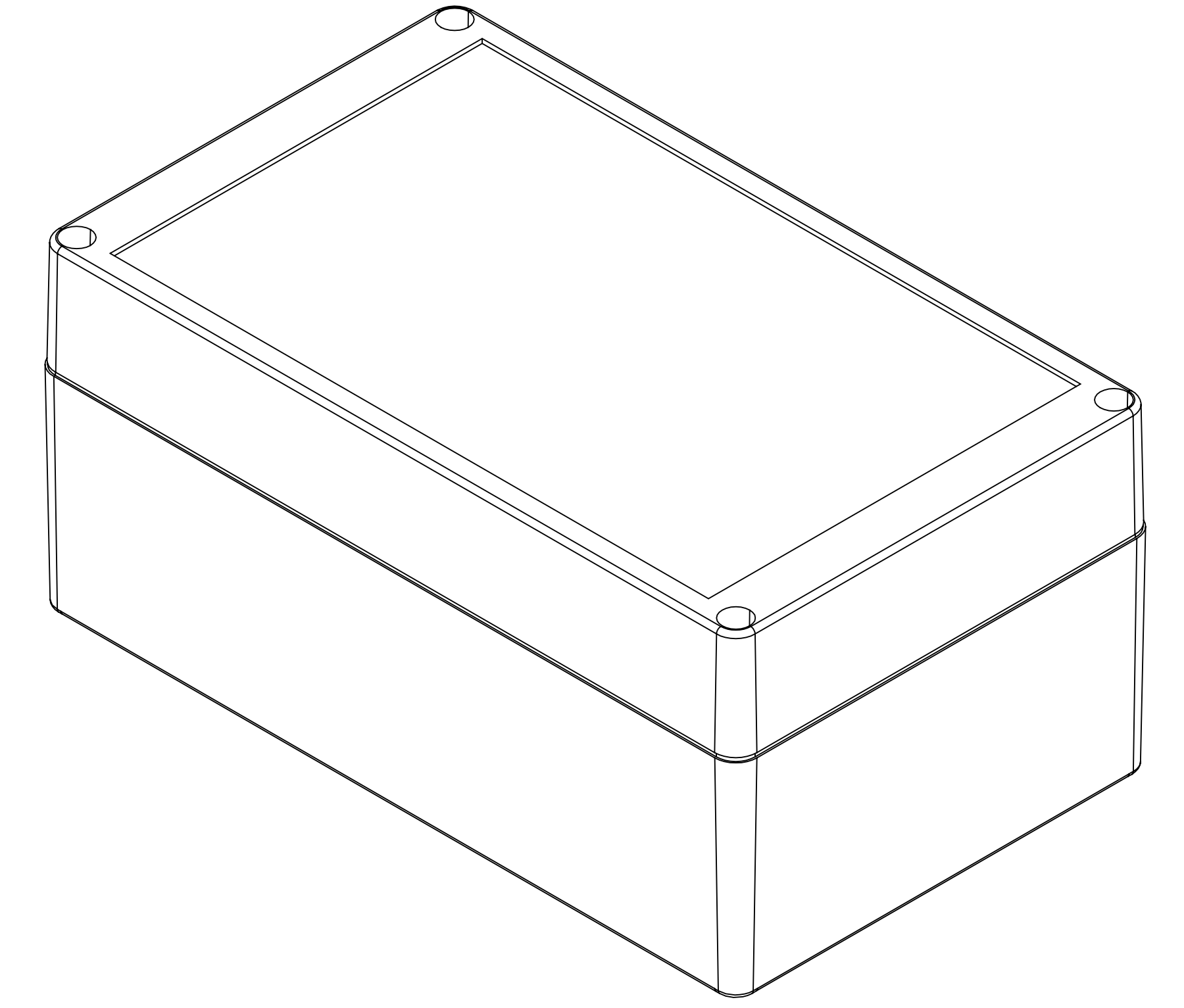
SURFACE-16




SURFACE-14



SURFACE-17



REV. NO	DATE	REVISED BY	DESCRIPTION OF CHANGE
 ALTINKAYA Electronic Enclosures & Components			
Customer Name:		Customer Ref.:	
Altinkaya Ref.:		Part Name: SE-242-0-0	
DRAWN	NAME	DATE	Drawn From:
CHECKED	Y.YEL	14.06.2024	Material:
DIMENSIONAL TOLERANCES UNLESS OTHERWISE SPECIFIED (DIN7168)			Weight:
0.5-3mm	3-6mm	6-30mm	30-120mm
±0.1	±0.1	±0.2	±0.3
			120-400mm
			±0.5
			m (Medium)
			SCALE 1:1
			SHEET 2 OF 2
			UNIT: mm
			A0

www.altinkaya.com