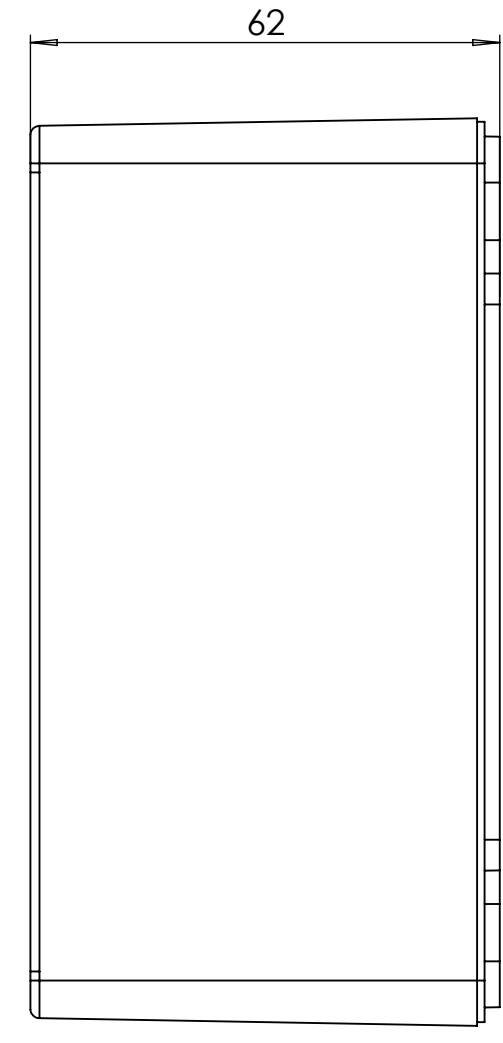


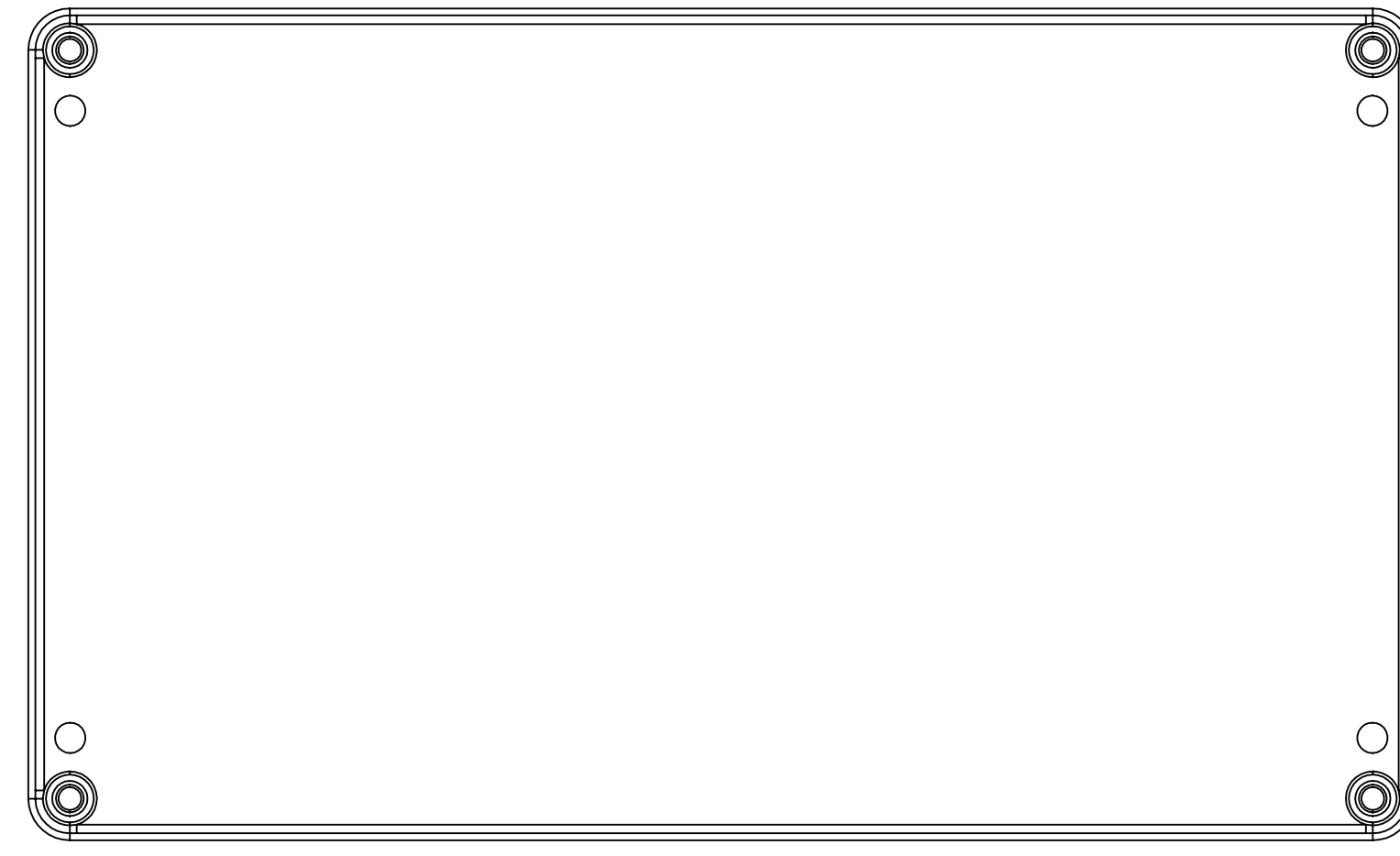
BASE: 6 SURFACE



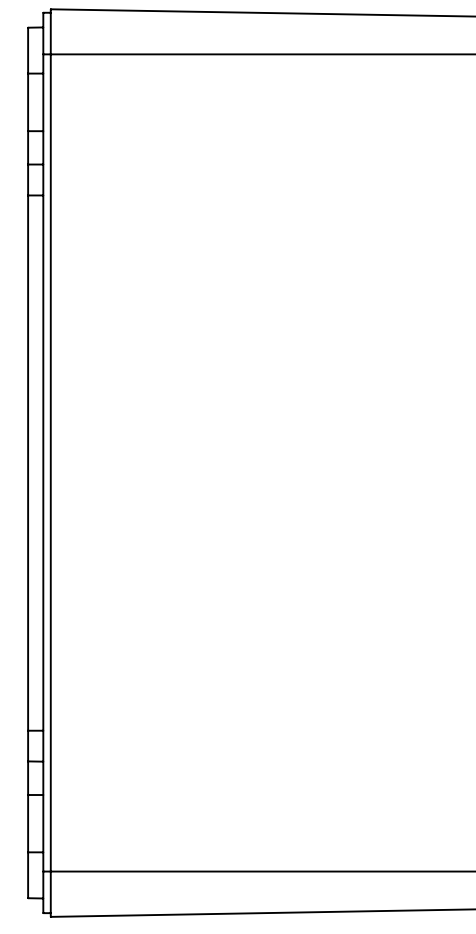
SURFACE-1



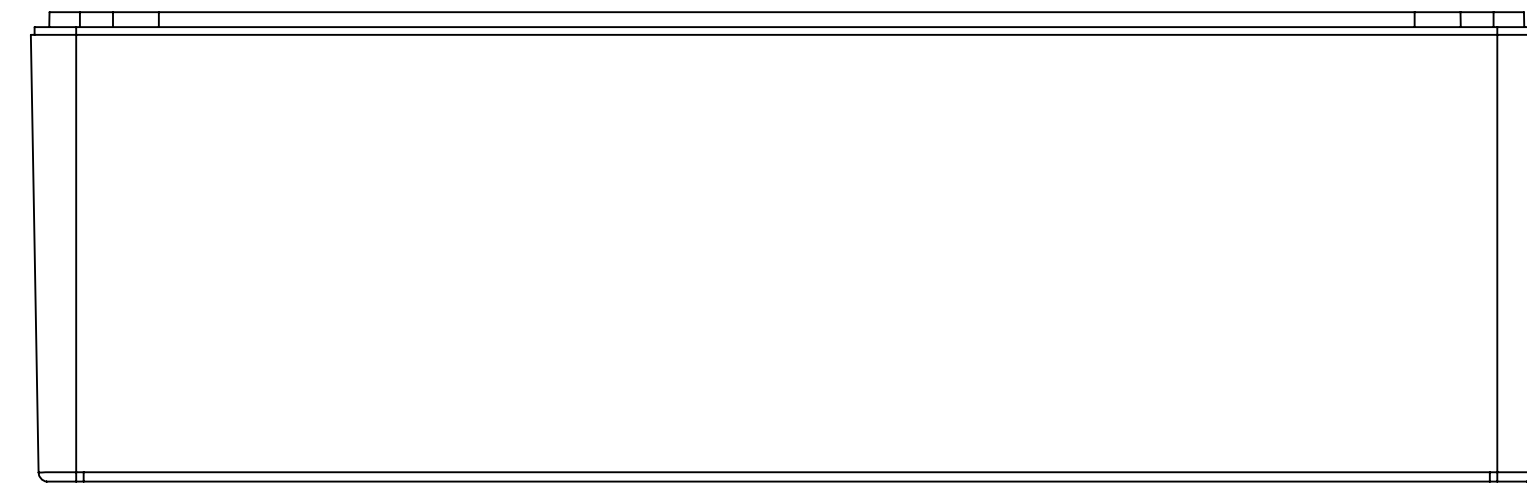
SURFACE-3



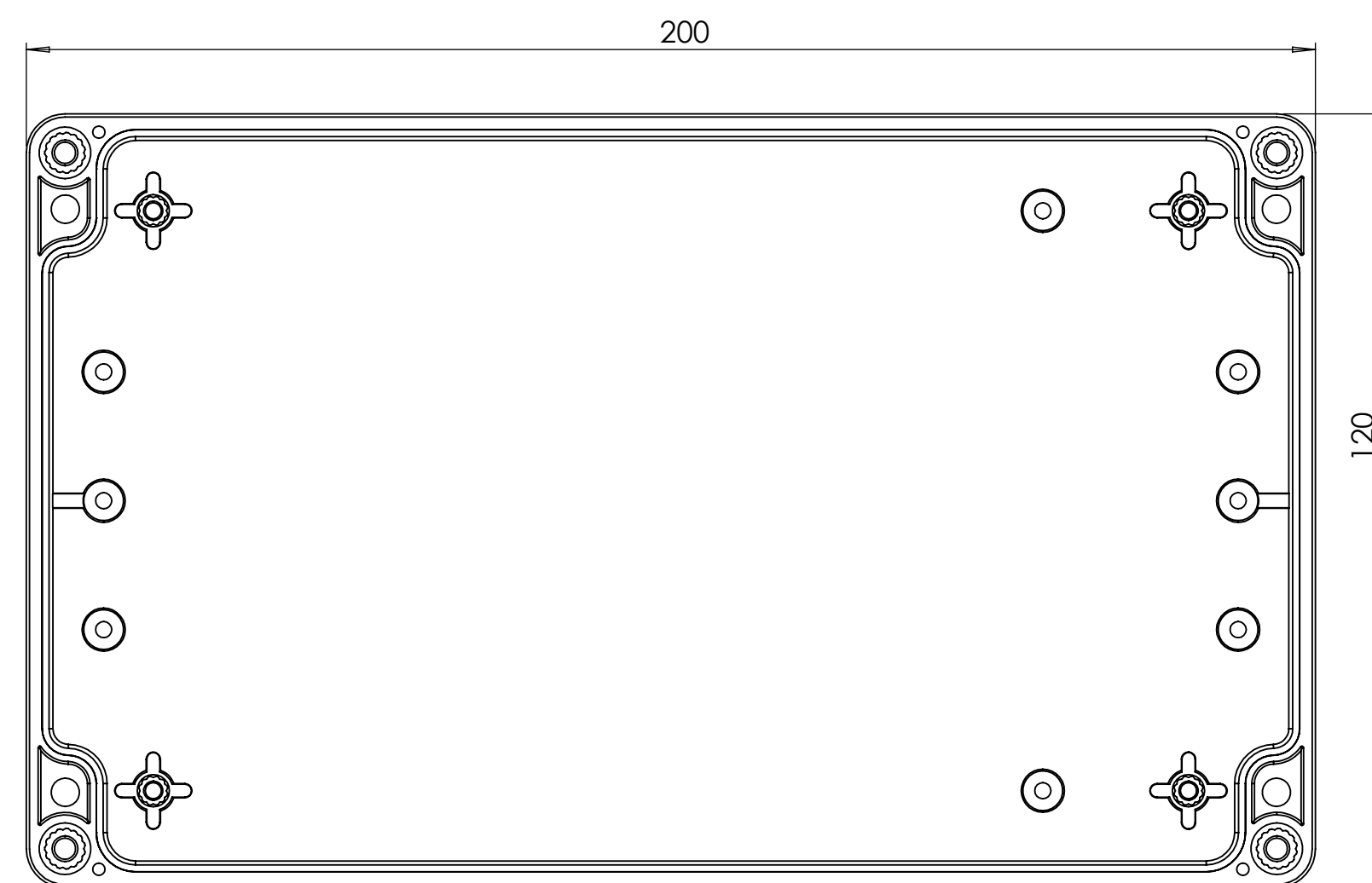
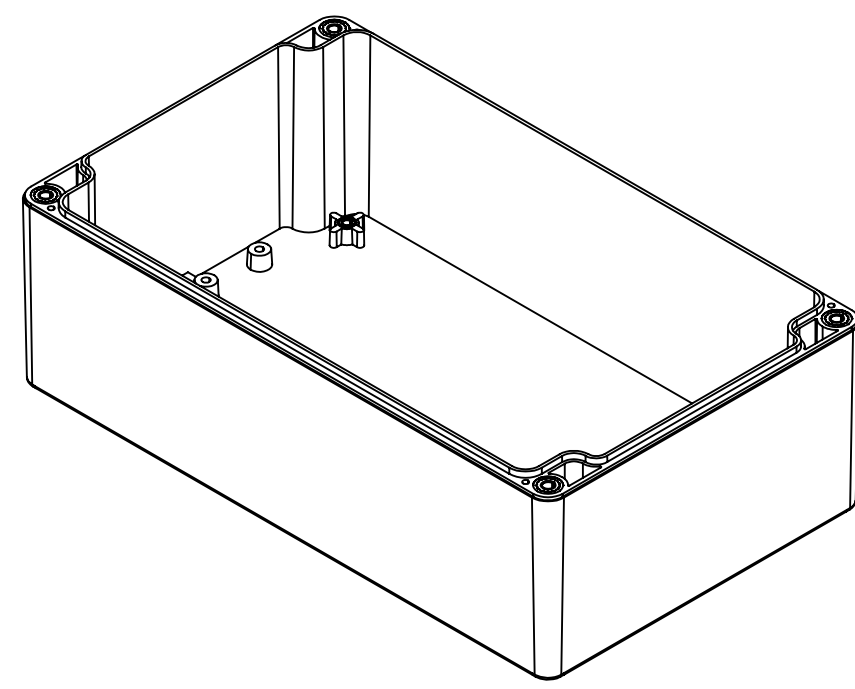
SURFACE-5



SURFACE-4

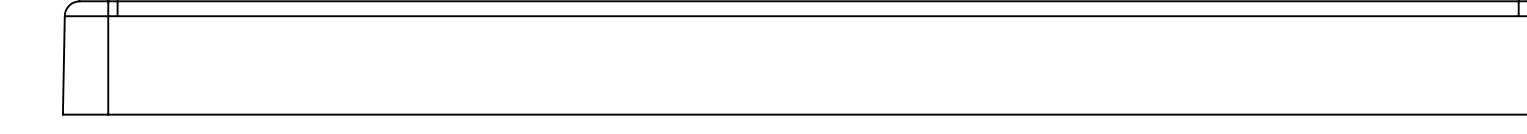


SURFACE-2

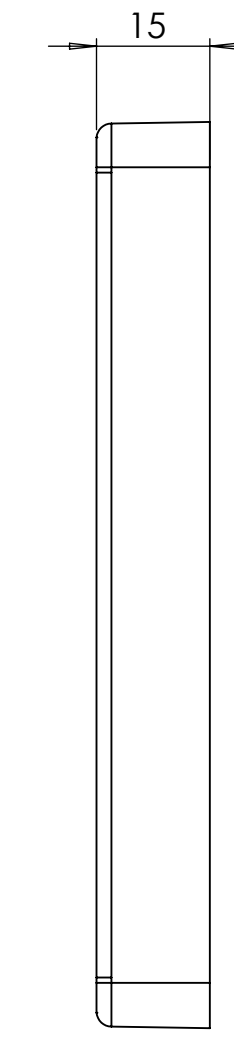


SURFACE-6 (INSIDE)

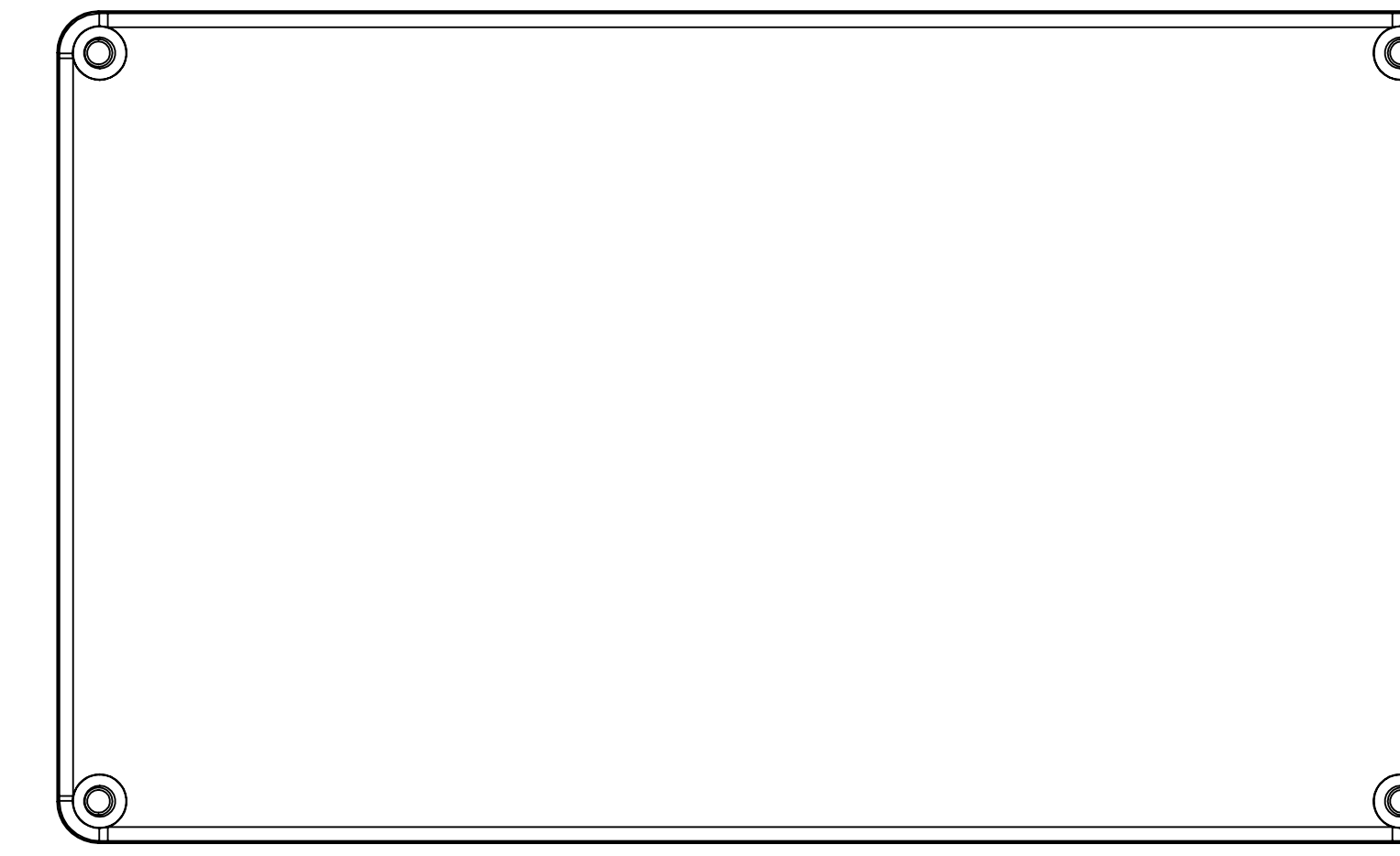
COVER: 6 SURFACE



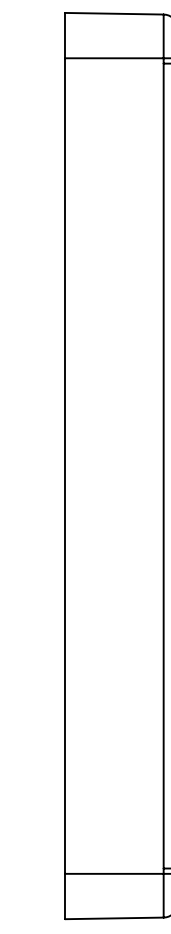
SURFACE-7



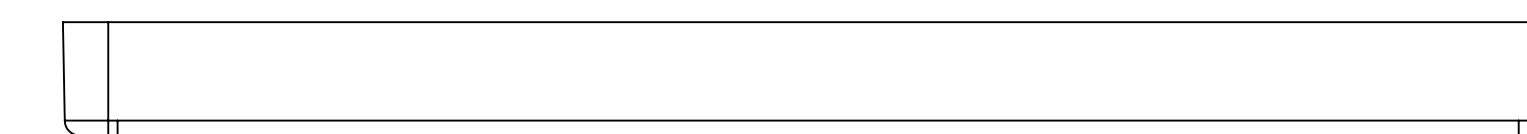
SURFACE-9



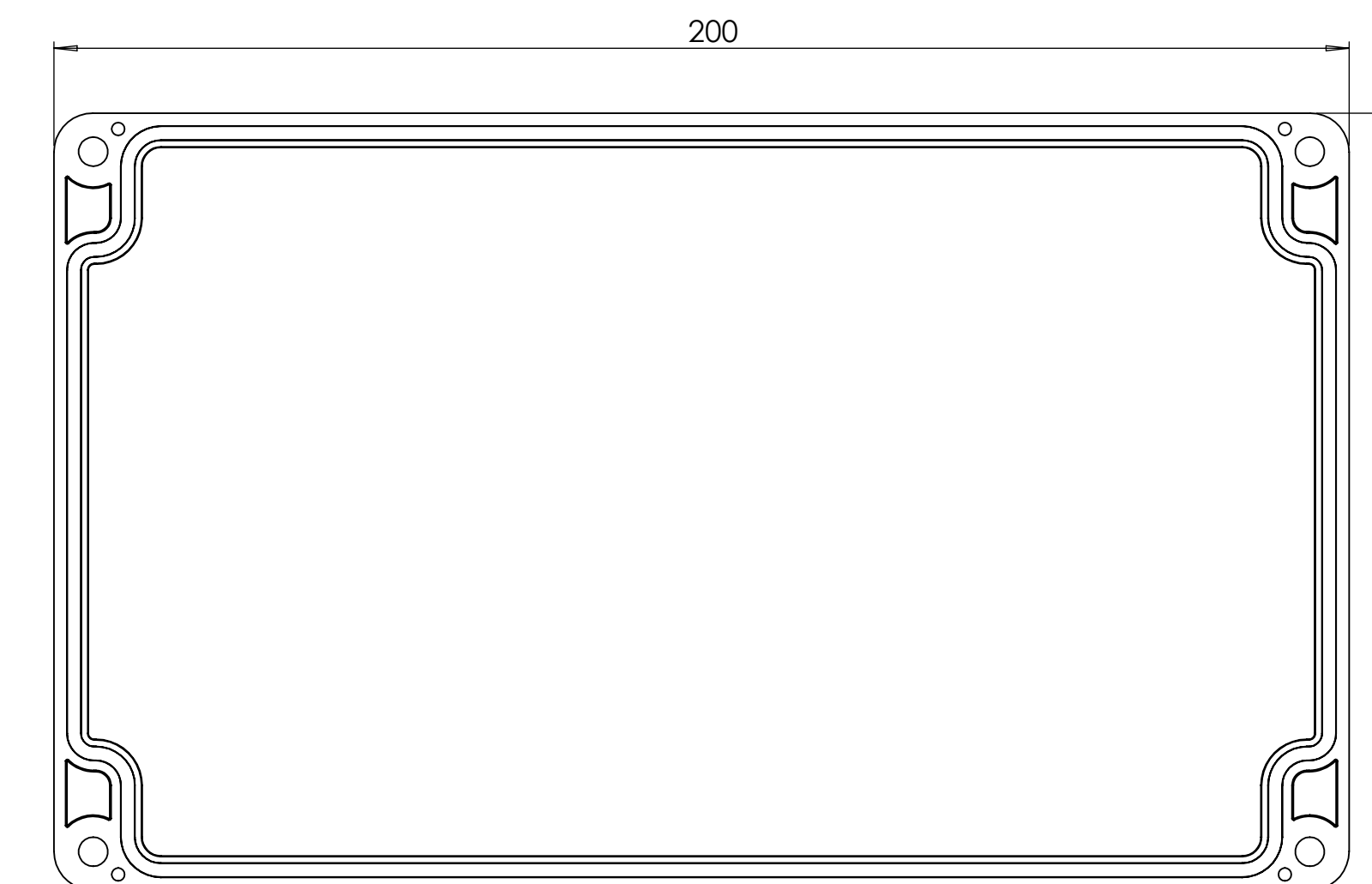
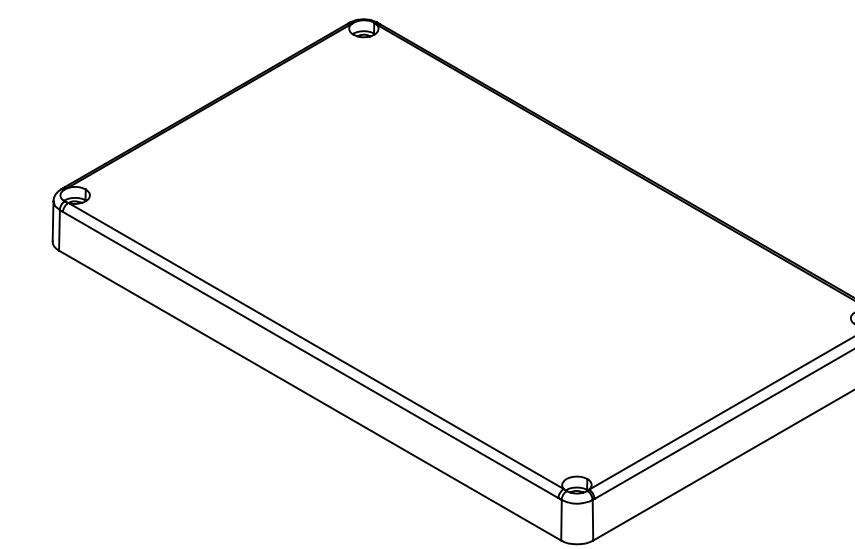
SURFACE-11



SURFACE-10



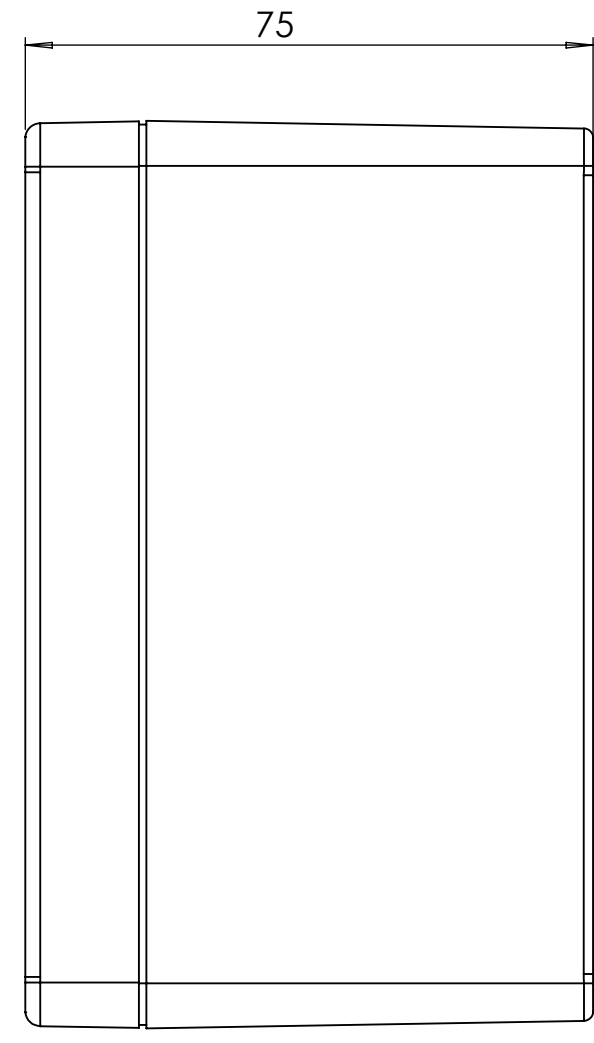
SURFACE-8



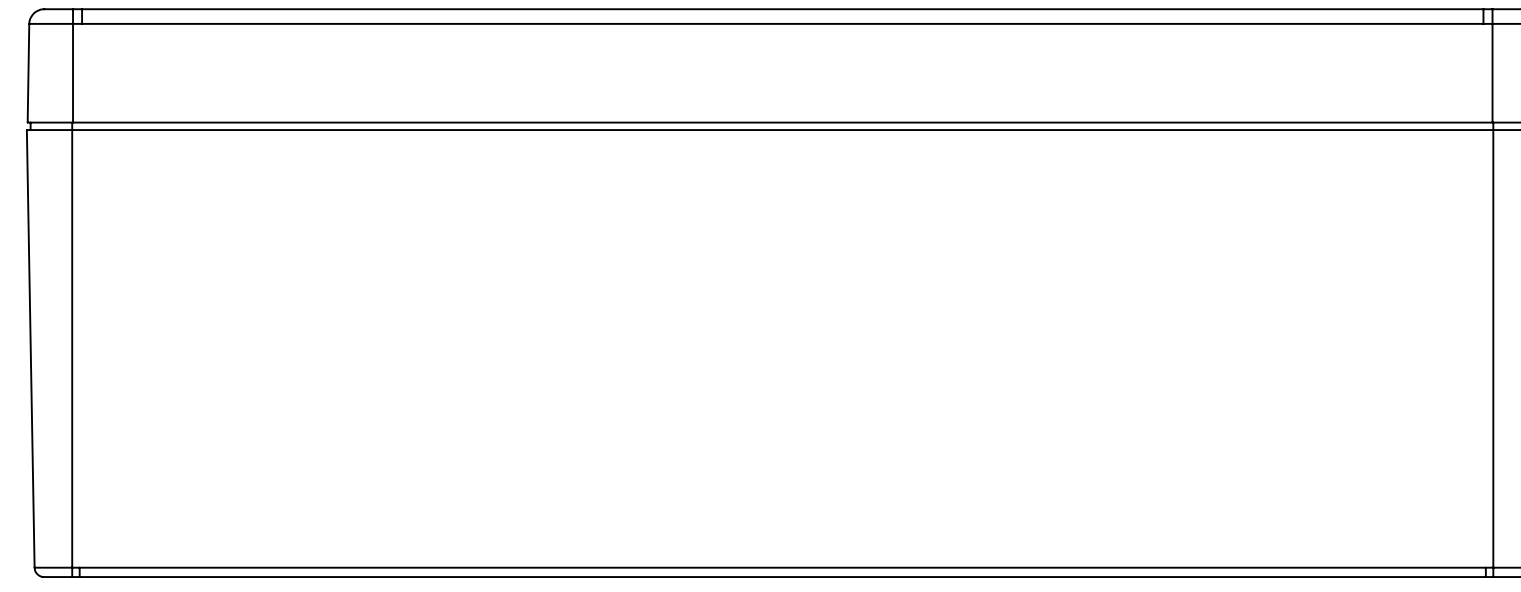
SURFACE-12 (INSIDE)

REV. NO	DATE	REVISED BY	DESCRIPTION OF CHANGE
 ALTINKAYA Electronic Enclosures & Components			www.altinkaya.com
Customer Name:		Customer Ref.:	
Altinkaya Ref.:		Part Name: SE-240-0-0	
DRAWN	NAME	DATE	Drawn From:
CHECKED	Y.YEL	12.06.2024	Material:
DIMENSIONAL TOLERANCES UNLESS OTHERWISE SPECIFIED (DIN7168)			SCALE 1:1 SHEET 1 OF 2
0.5-3mm	3-6mm	6-30mm	30-120mm
±0.1	±0.1	±0.2	±0.3
UNITS: mm			Dimension (mm)
			±0.5
			m (Medium)

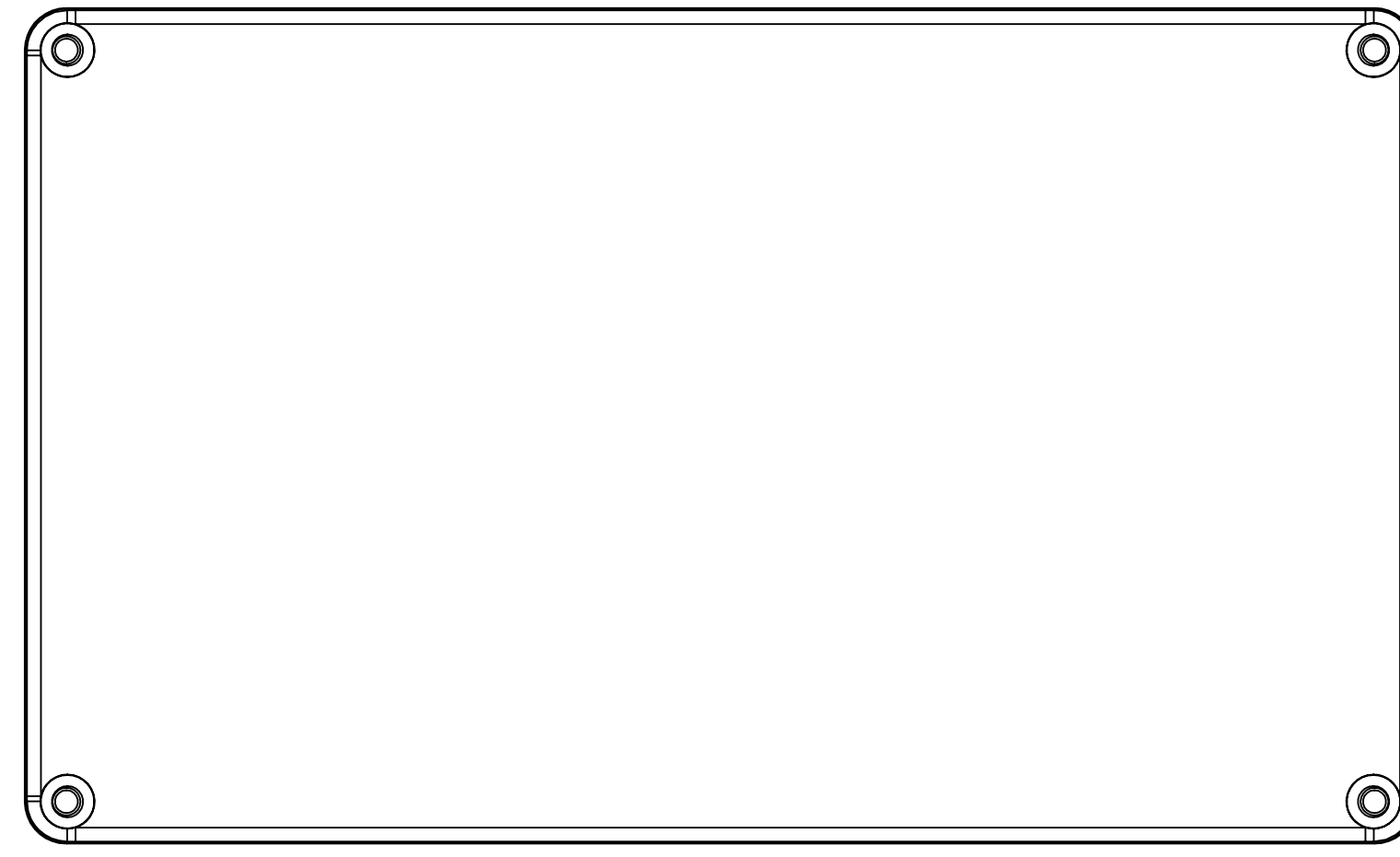
SE-240 IF MACHINED TOGETHER



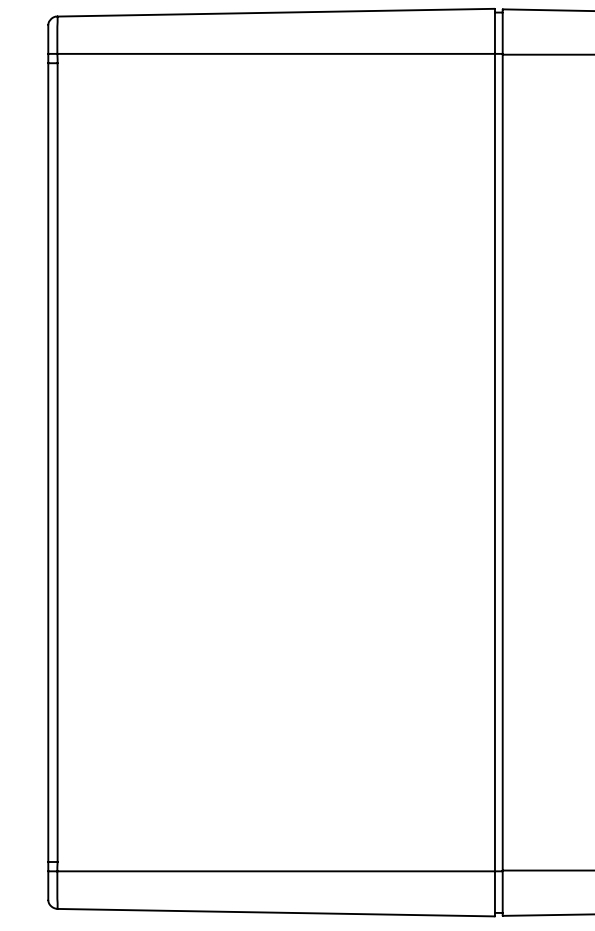
SURFACE-15



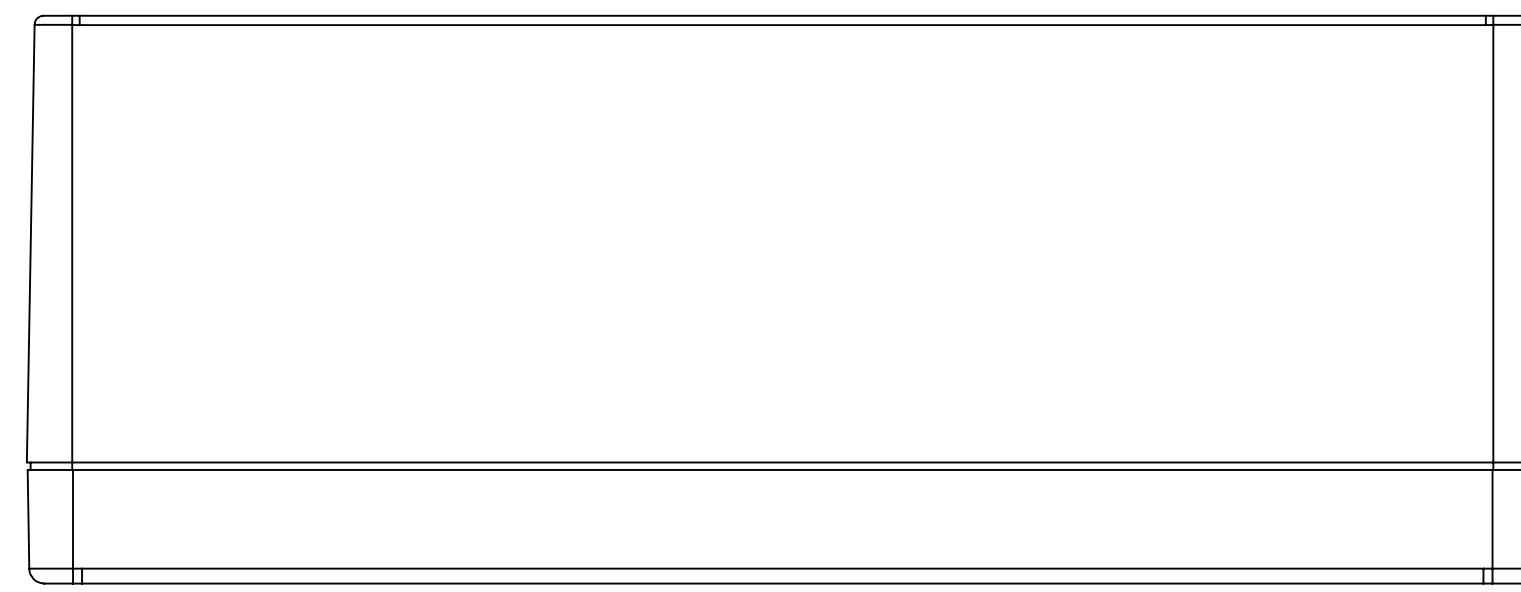
SURFACE-13



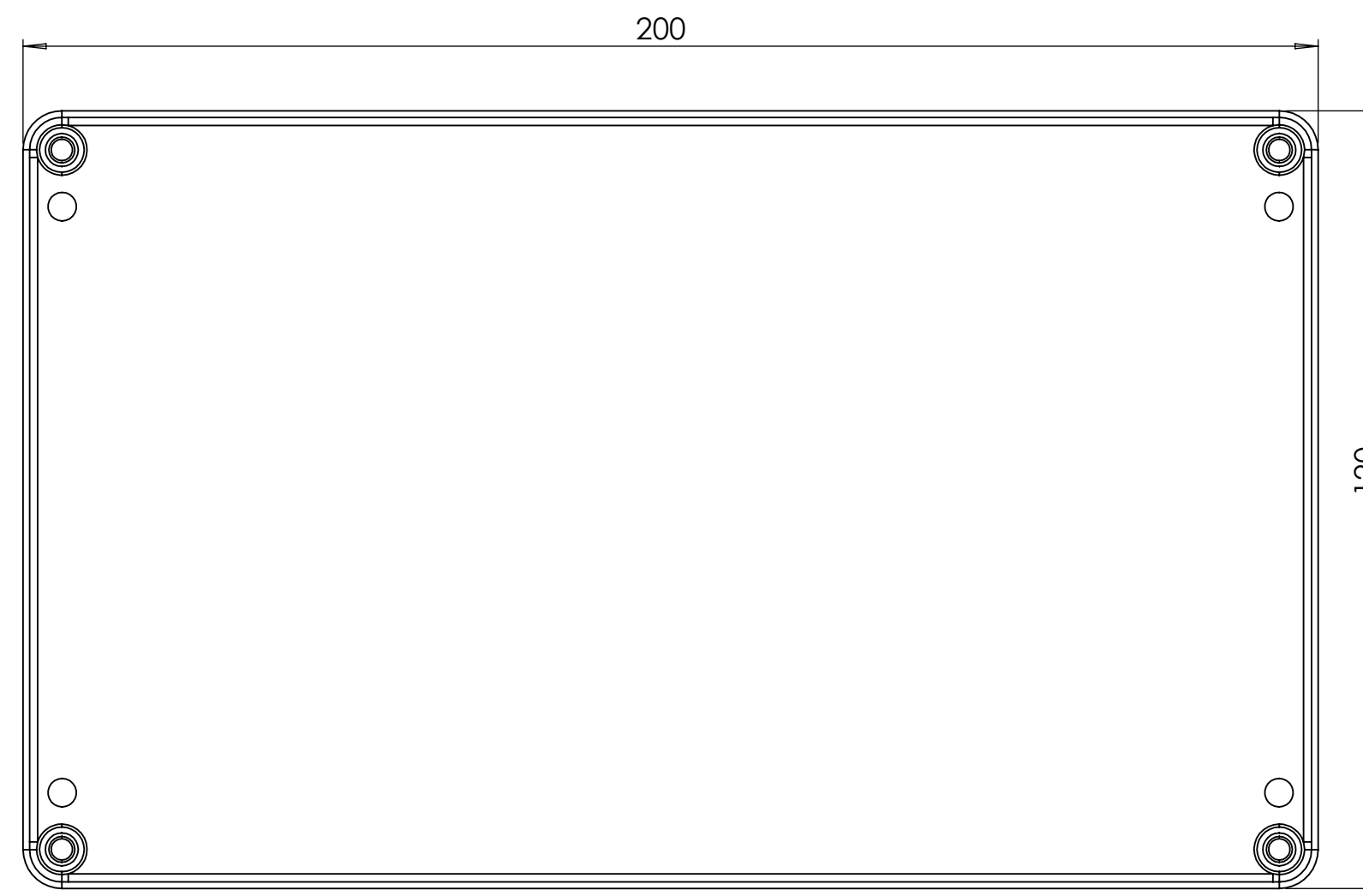
SURFACE-17



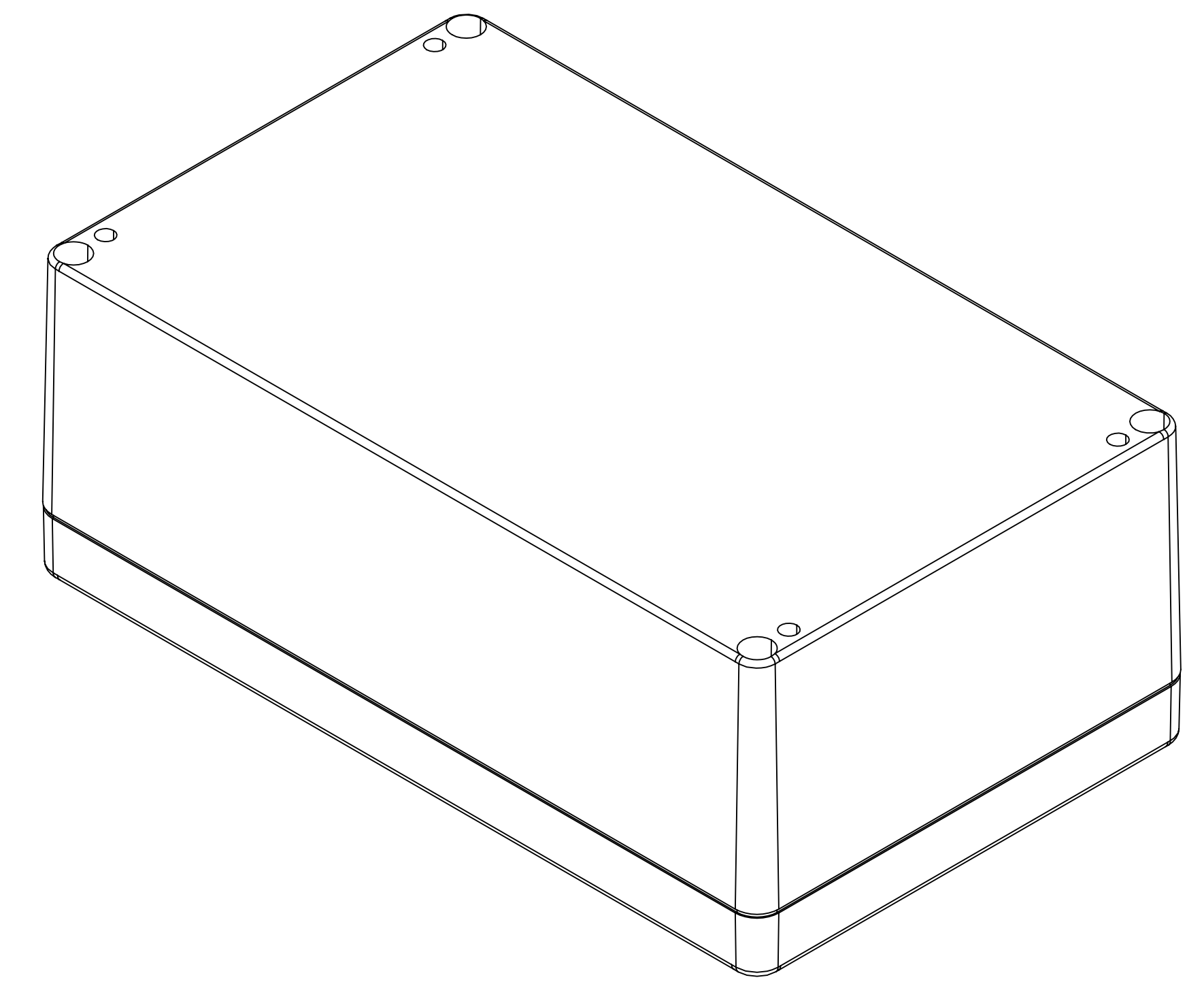
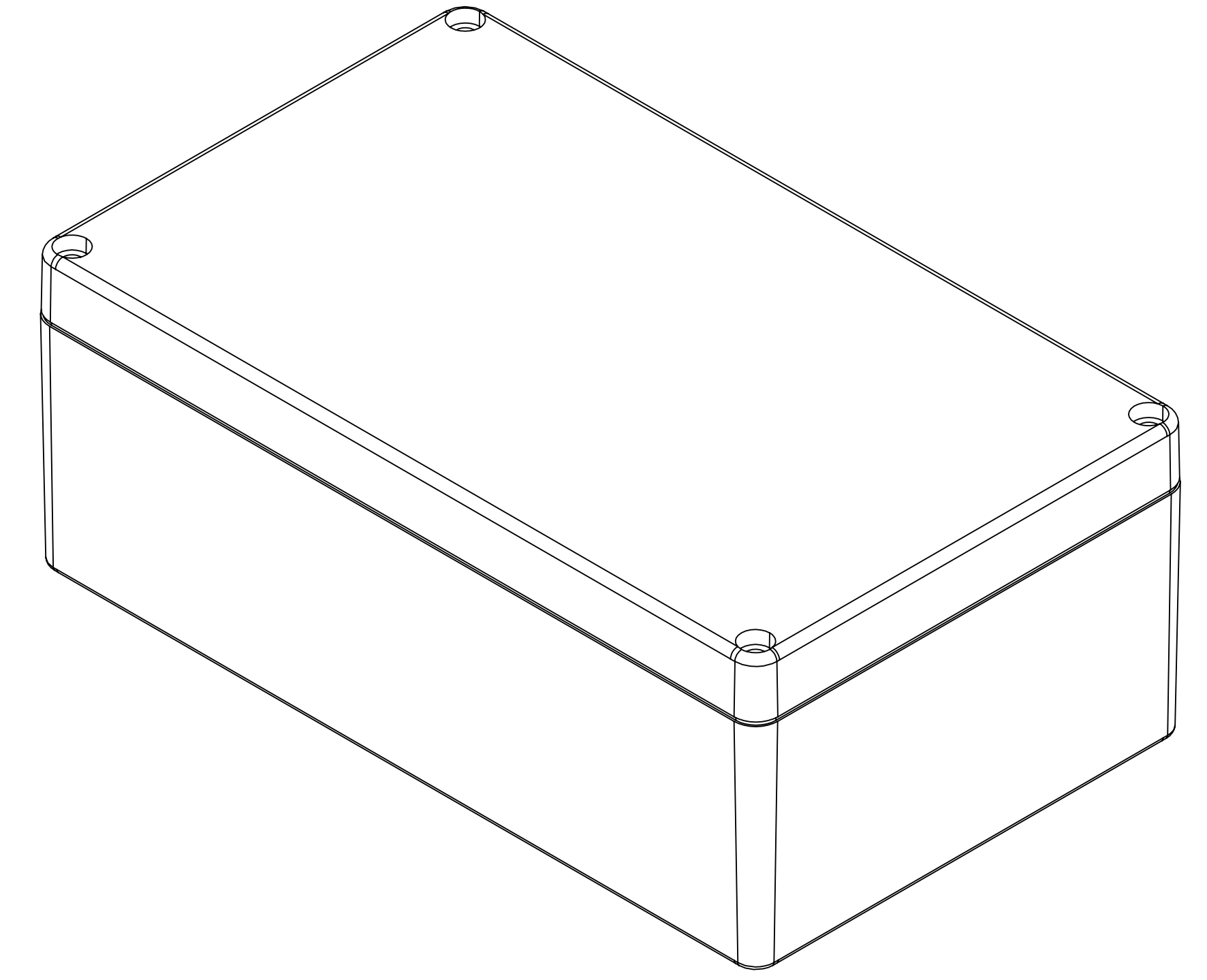
SURFACE-16




SURFACE-14



SURFACE-18



REV. NO	DATE	REVISED BY	DESCRIPTION OF CHANGE			
 ALTINKAYA Electronic Enclosures & Components			www.altinkaya.com			
Customer Name:		Customer Ref.:				
Altinkaya Ref.:		Part Name: SE-240-0-0				
DRAWN	NAME	DATE	Drawn From:		SCALE 1:1	
CHECKED	Y.YEL	12.06.2024	Material:		SHEET 2 OF 2	
DIMENSIONAL TOLERANCES UNLESS OTHERWISE SPECIFIED (DIN7168)			0.5-3mm	3-6mm	6-30mm	
			±0.1	±0.1	±0.2	
			±0.3	±0.5	±0.5	
			30-120mm		120-400mm	
			Dimension (mm)		Dimension (mm)	
			m (Medium)		UNIT: mm	
			A0		