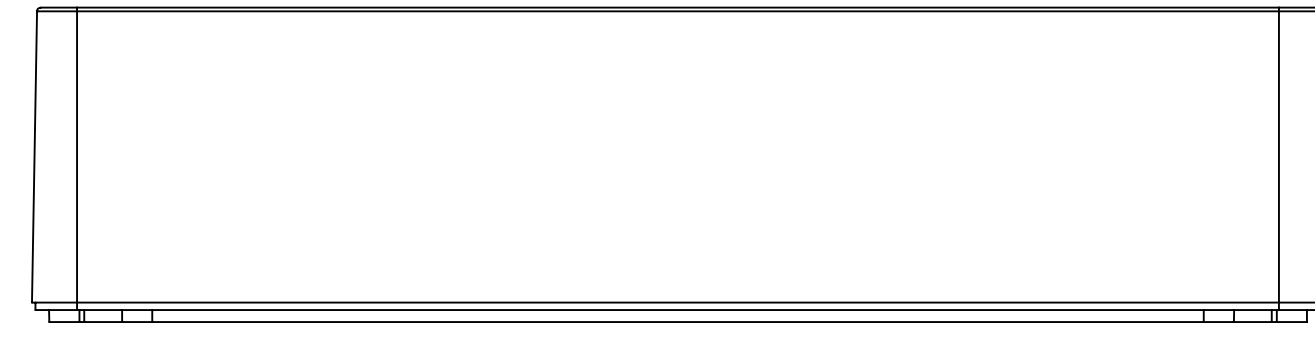
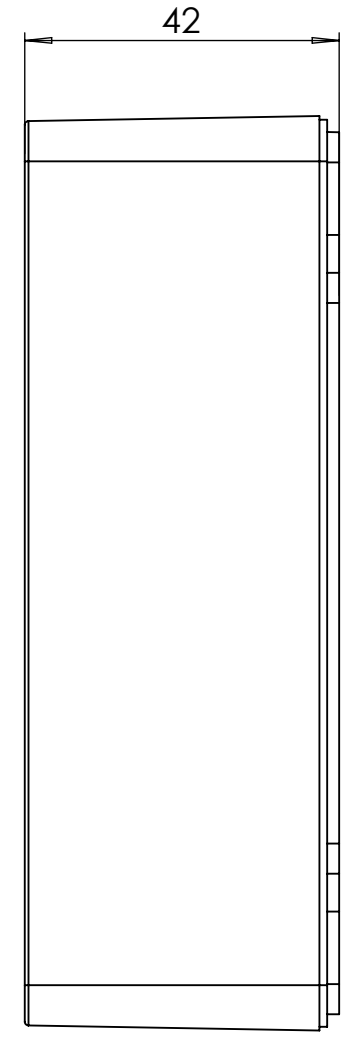


BASE: 6 SURFACE



SURFACE-1



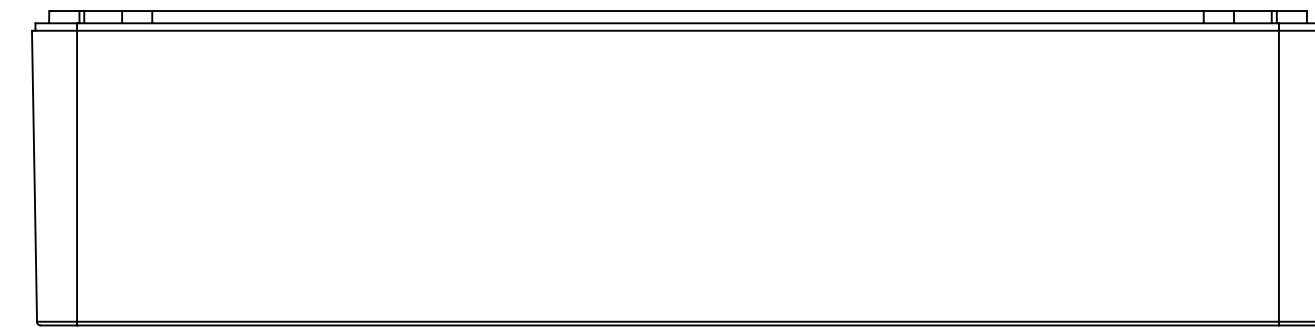
SURFACE-3



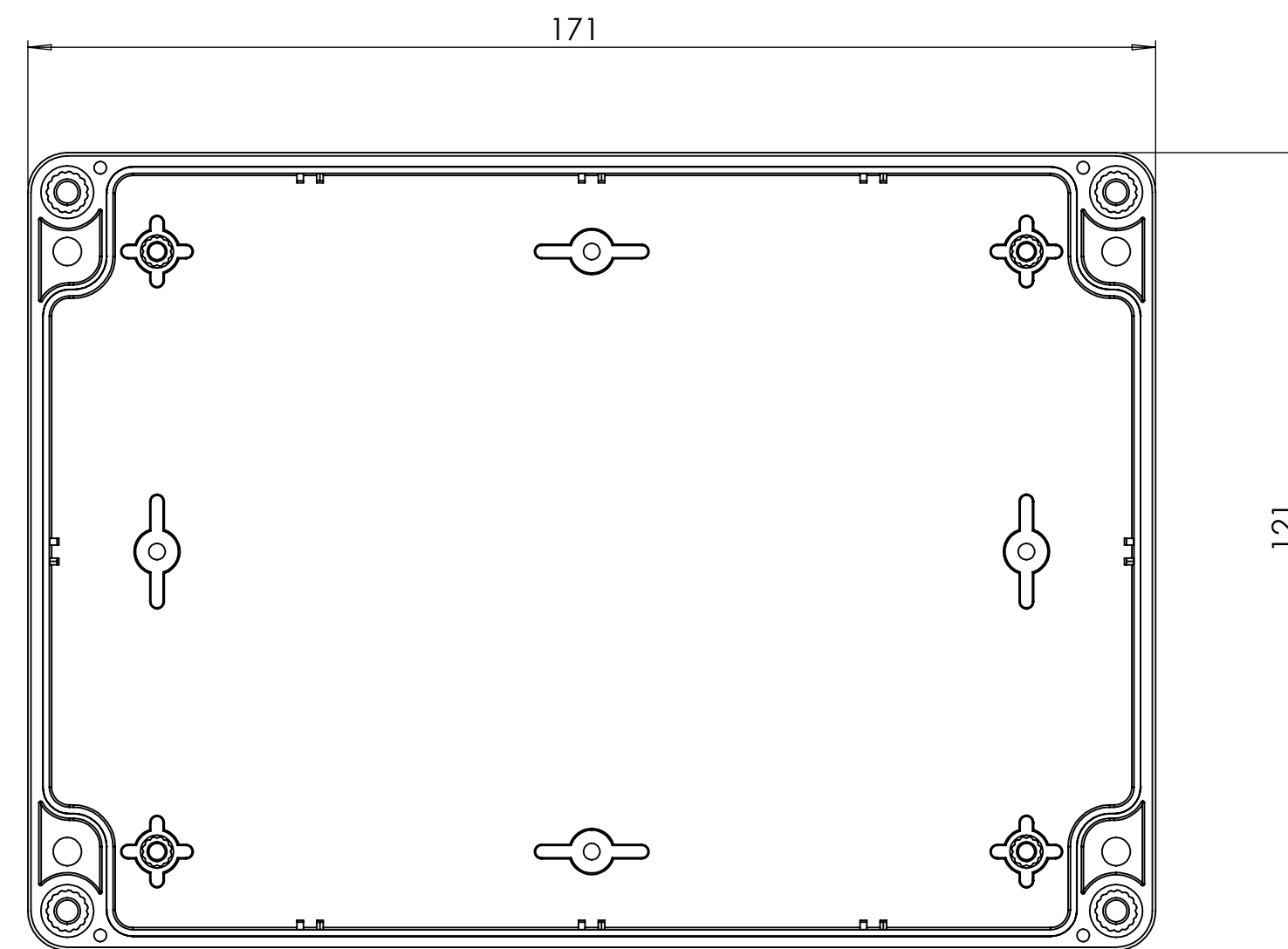
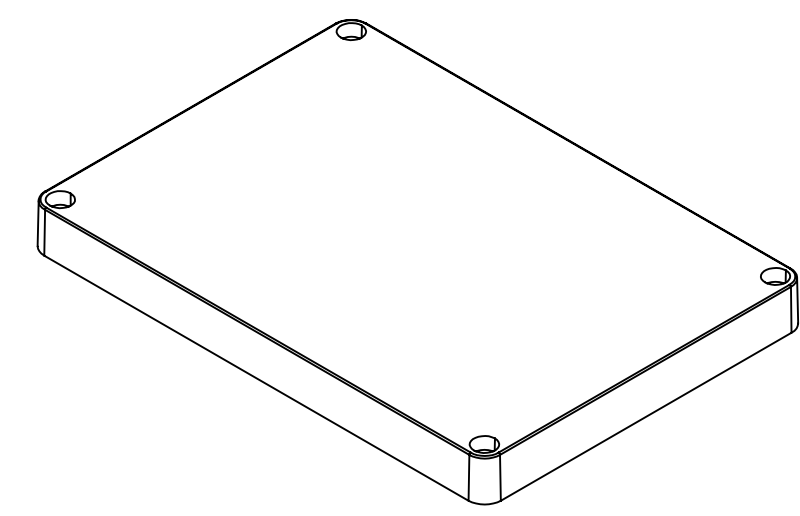
SURFACE-5



SURFACE-4

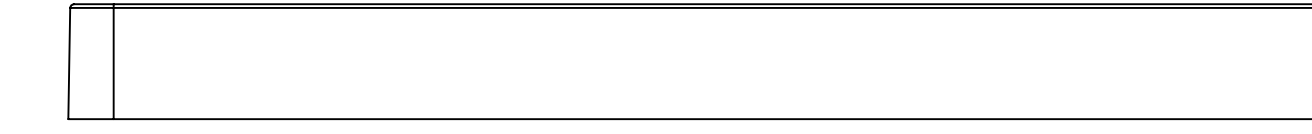


SURFACE-2

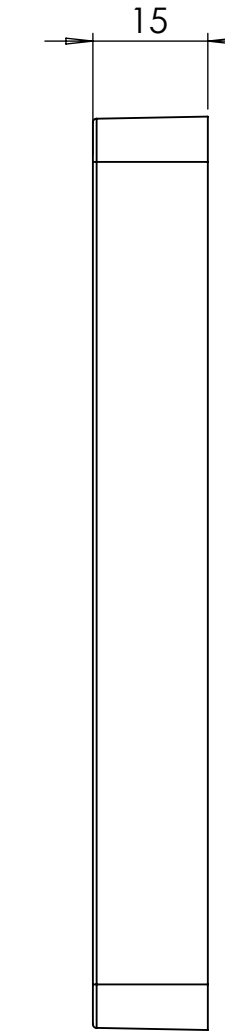


SURFACE-6 (INSIDE)

COVER: 6 SURFACE



SURFACE-7



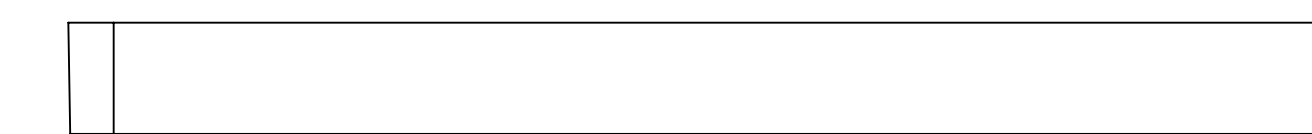
SURFACE-9



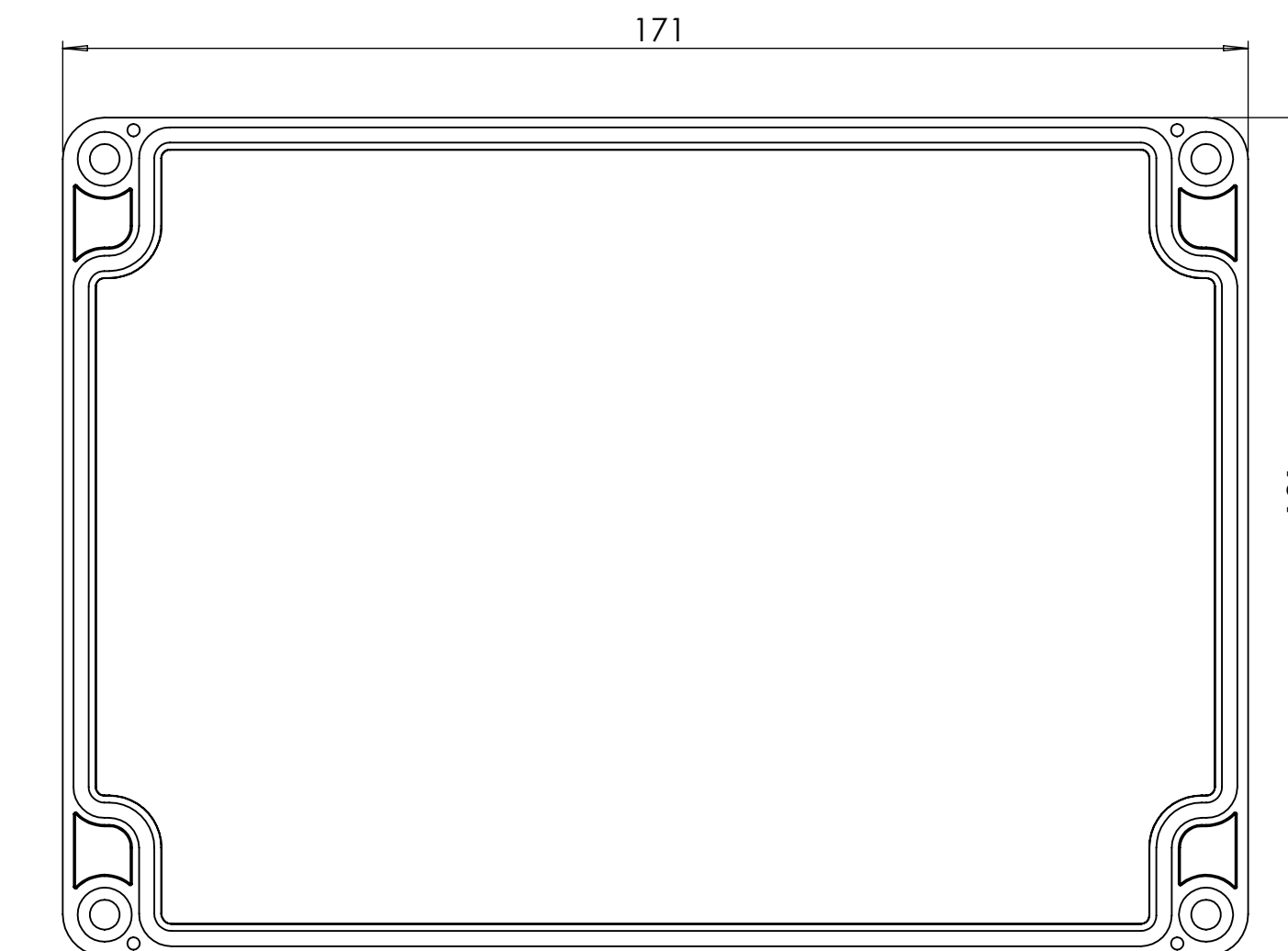
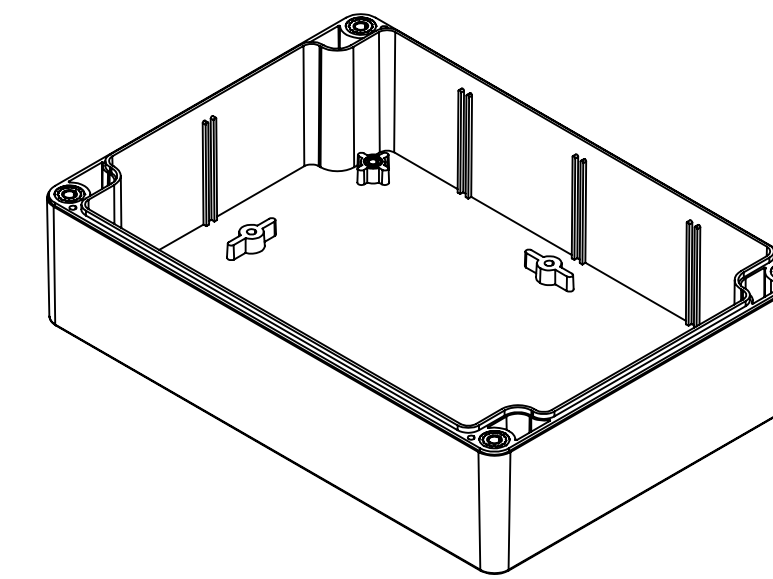
SURFACE-11



SURFACE-10



SURFACE-8

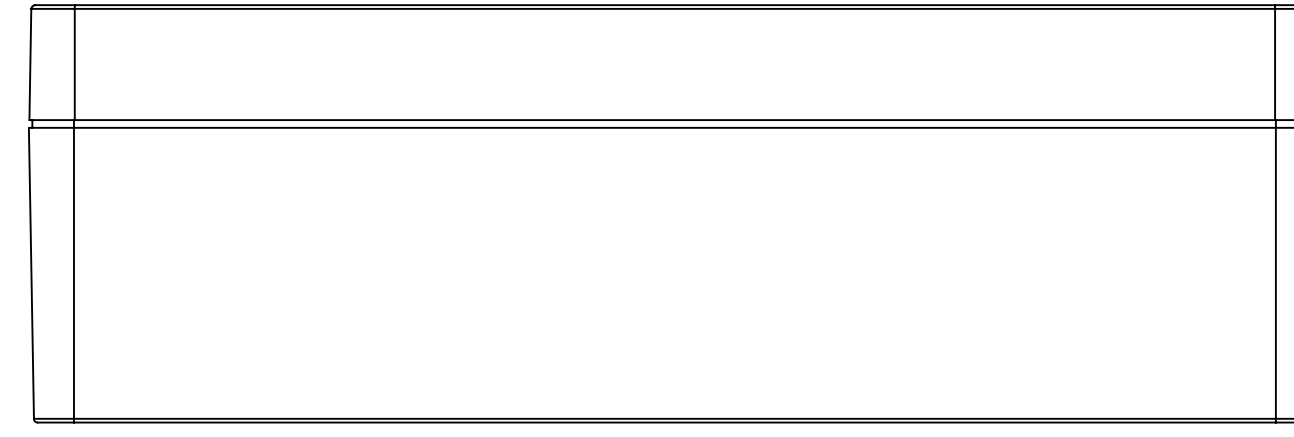


SURFACE-12 (INSIDE)

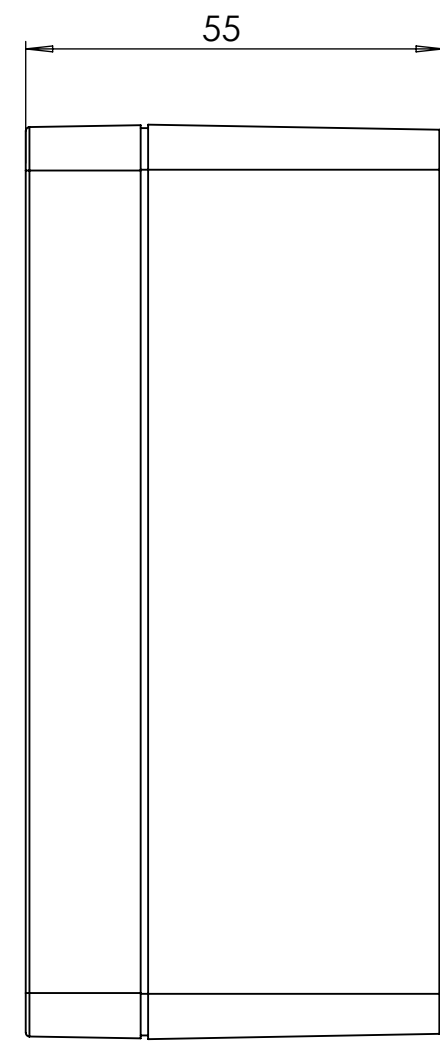
REV. NO	DATE	REVISED BY	DESCRIPTION OF CHANGE
 ALTINKAYA Electronic Enclosures & Components			
Customer Name:		Customer Ref.:	
Altinkaya Ref.:		Part Name: SE-236-0-0	
DRAWN	NAME	DATE	Drawn From:
CHECKED	Y.YEL	29.06.2024	Weight:
DIMENSIONAL TOLERANCES UNLESS OTHERWISE SPECIFIED (DIN7168)			
0.5-3mm	3-6mm	6-30mm	30-120mm
±0.1	±0.1	±0.2	±0.3
120-400mm Dimension (mm) ±0.5 m (Medium)			
SCALE 1:1			SHEET 1 OF 2
UNIT: mm			A0

www.altinkaya.com

SE-236 IF MACHINED TOGETHER



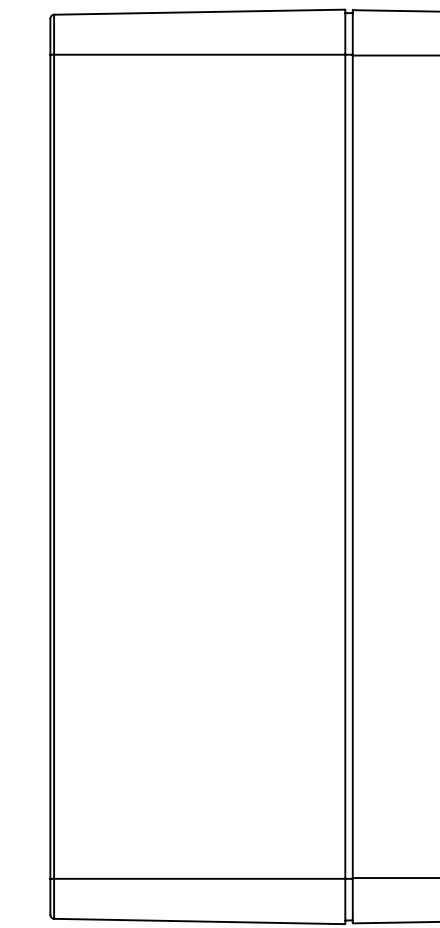
SURFACE-13



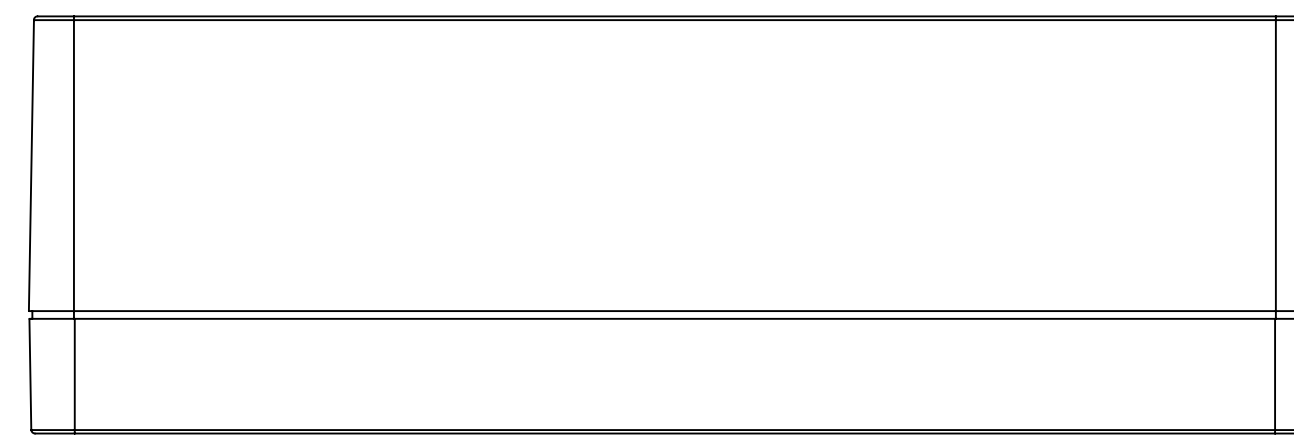
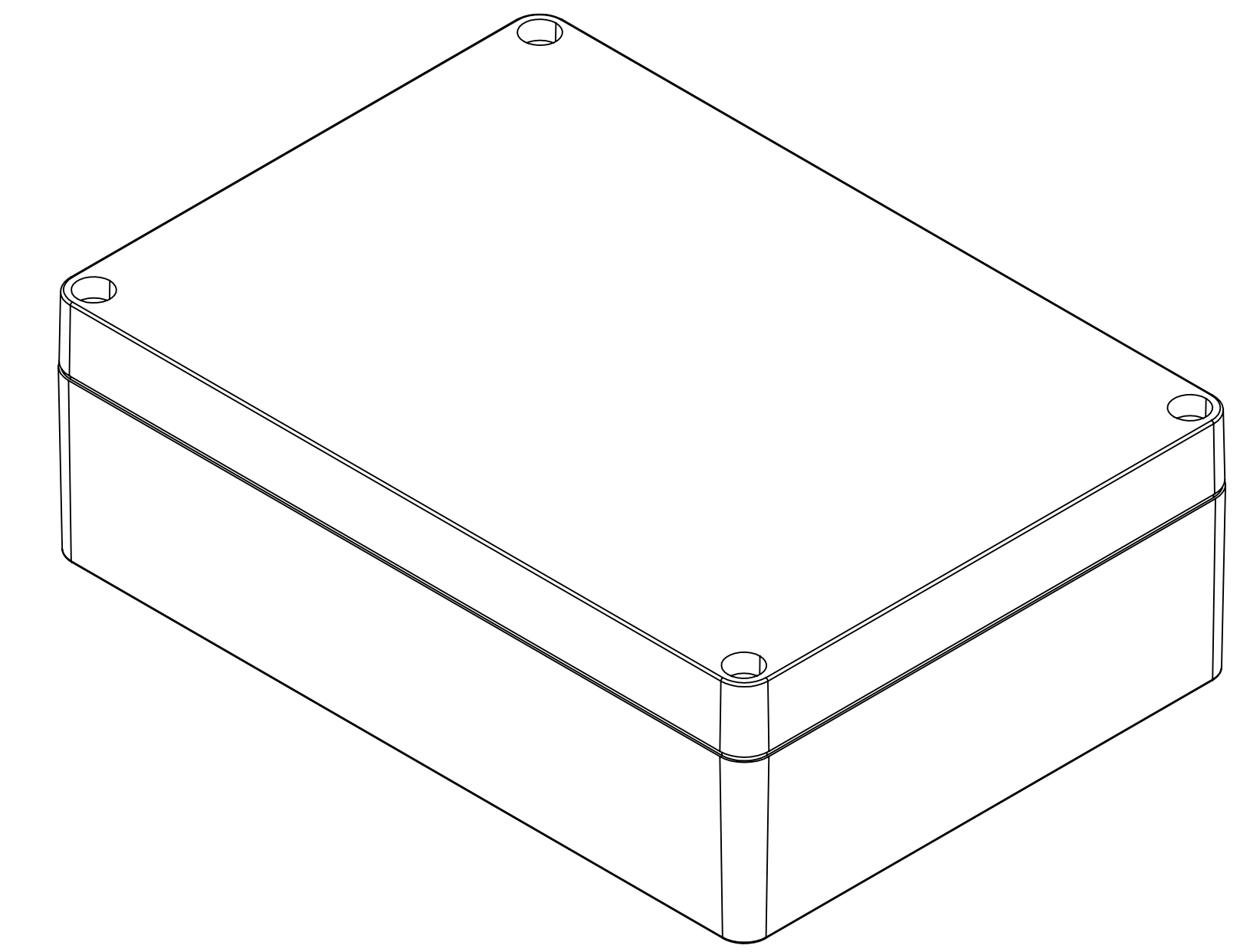
SURFACE-15



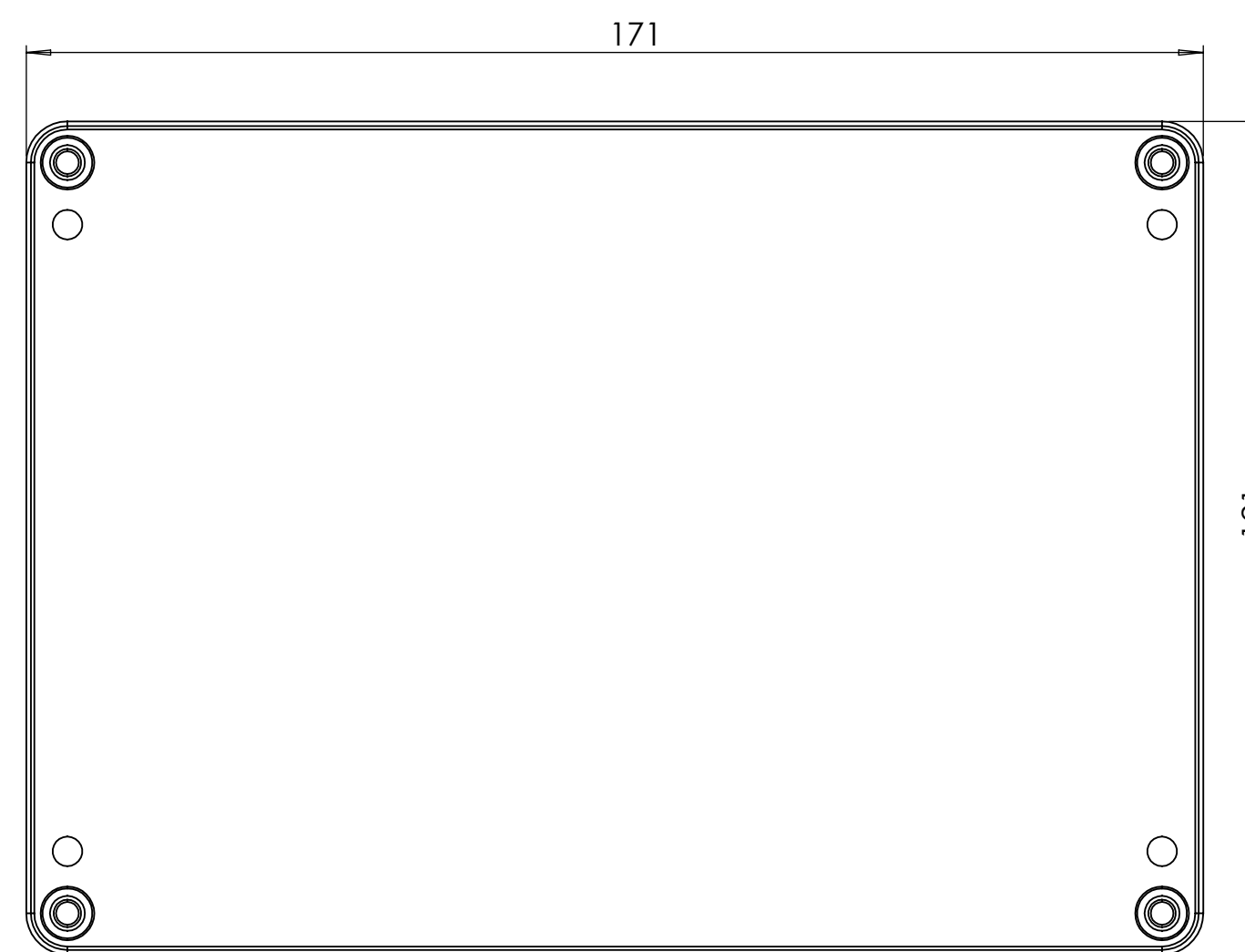
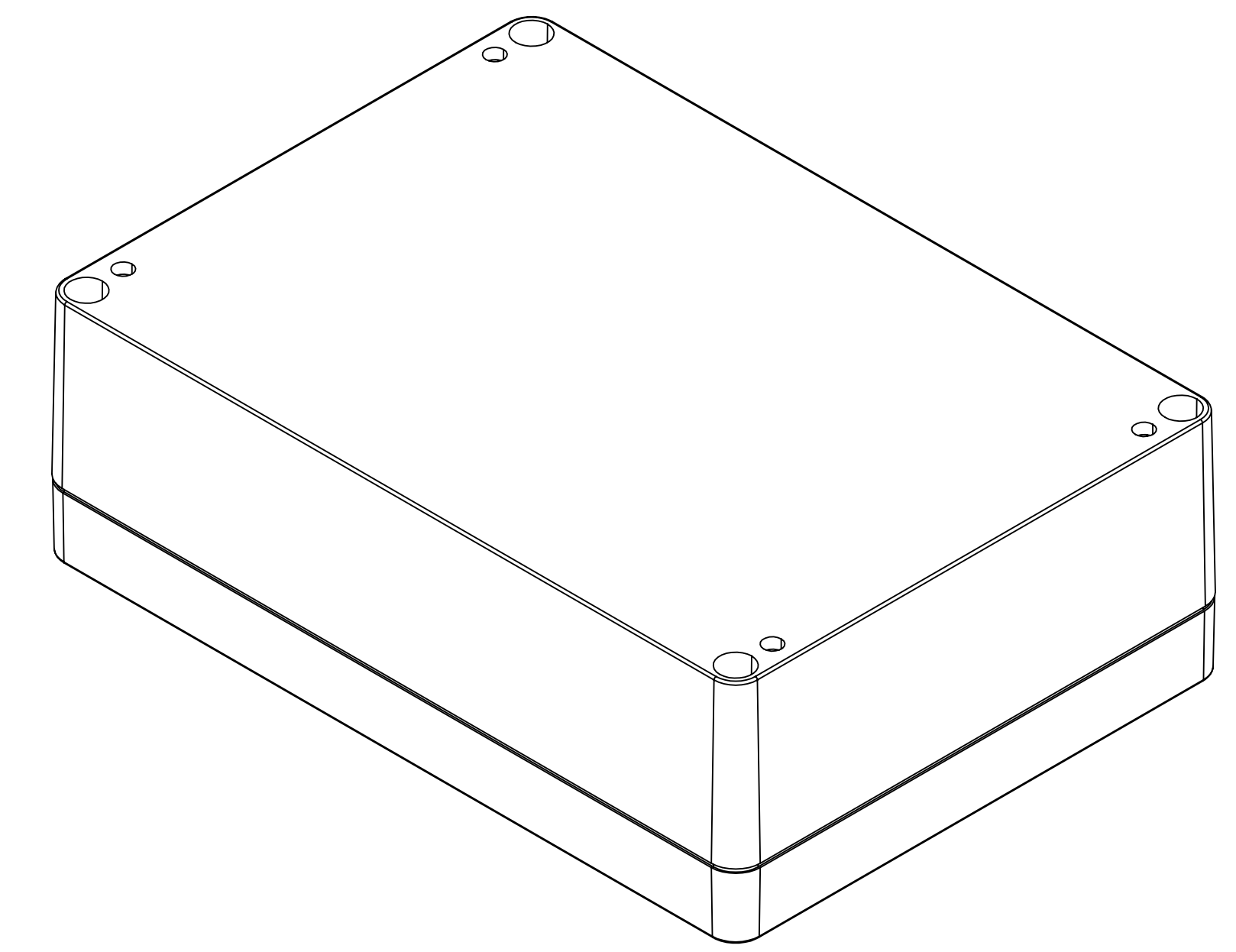
SURFACE-17




SURFACE-16



SURFACE-14



SURFACE-18

REV. NO	DATE	REVISED BY	DESCRIPTION OF CHANGE			
 ALTINKAYA Electronic Enclosures & Components			www.altinkaya.com			
Customer Name:		Customer Ref.:				
Altinkaya Ref.:		Part Name: SE-236-0-0				
DRAWN	NAME	DATE	Drawn From:		SCALE 1:1	
	S.YESILOZ	29.06.2024			SHEET 2 OF 2	
CHECKED	Y.YEL	29.06.2024	Weight:		UNIT: mm	
DIMENSIONAL TOLERANCES UNLESS OTHERWISE SPECIFIED (DIN7168)			0.5-3mm	3-6mm	6-30mm	
			±0.1	±0.1	±0.2	
			±0.3	±0.5	±0.5	
			30-120mm		120-400mm	
			Dimension (mm)		Dimension (mm)	
			m (Medium)		AO	