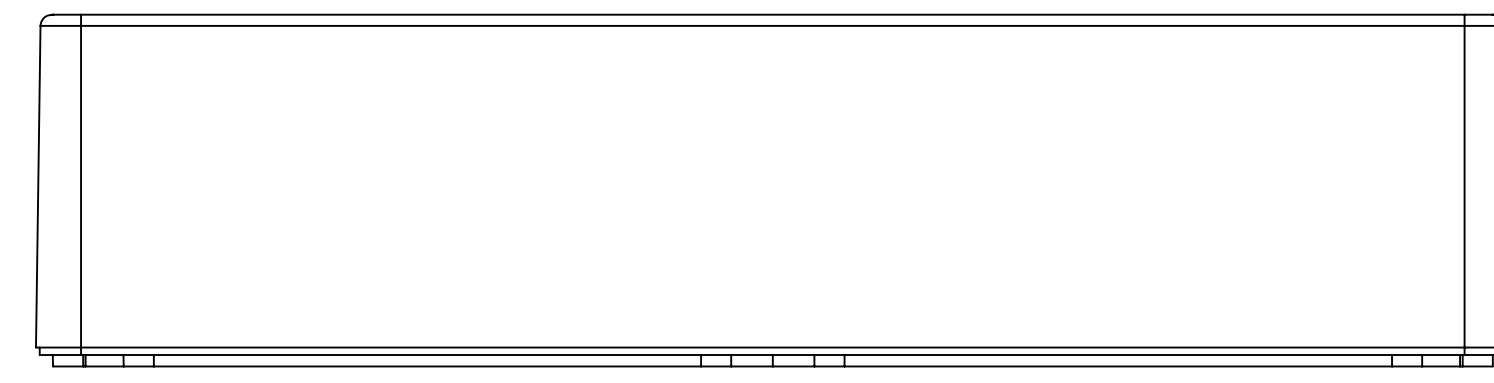
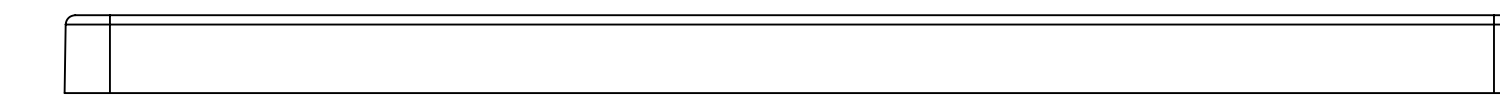


BASE: 6 SURFACE

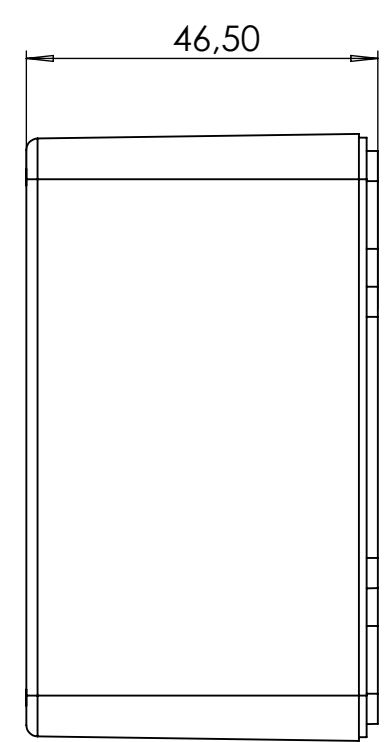
COVER: 6 SURFACE



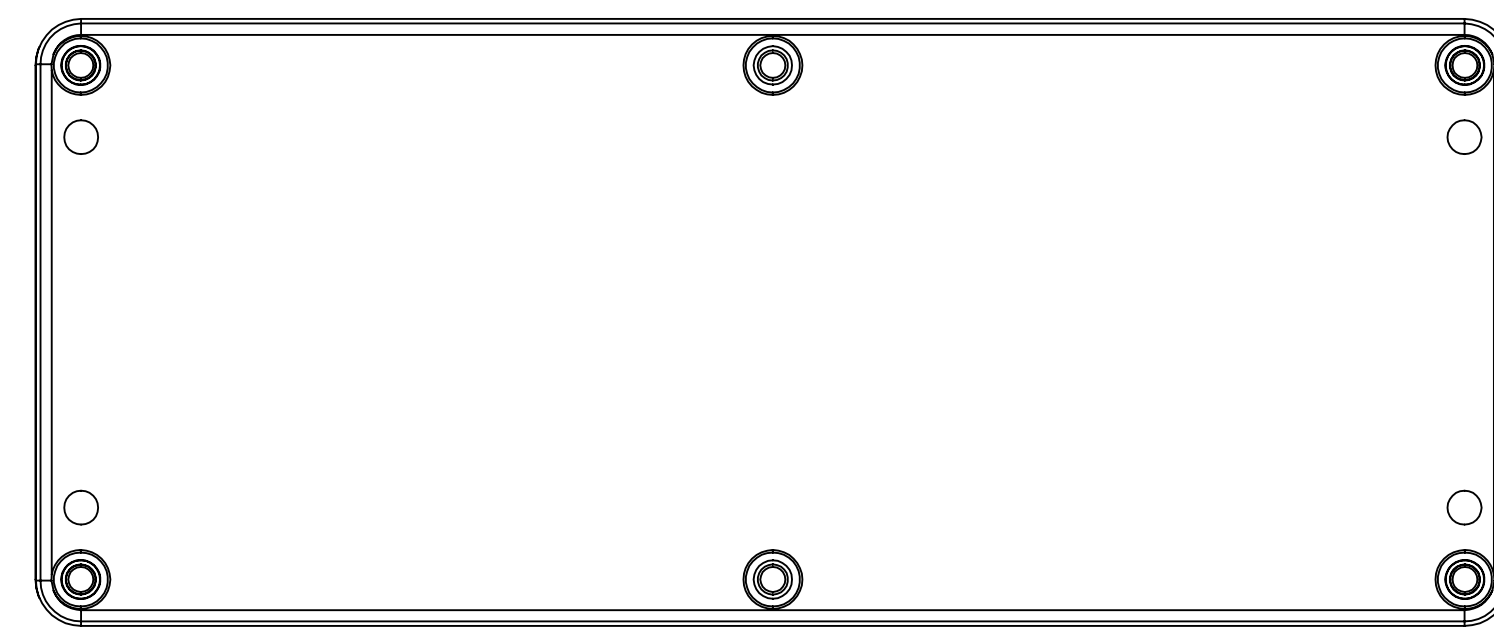
SURFACE-1



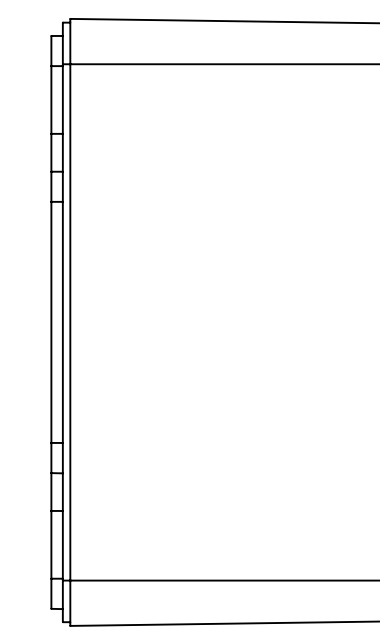
SURFACE-7



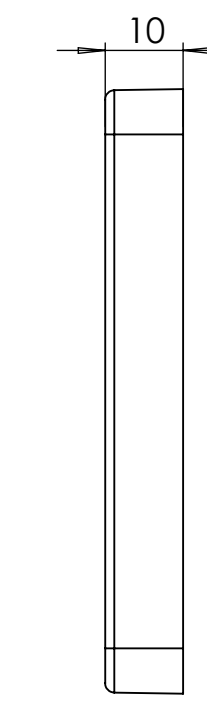
SURFACE-3



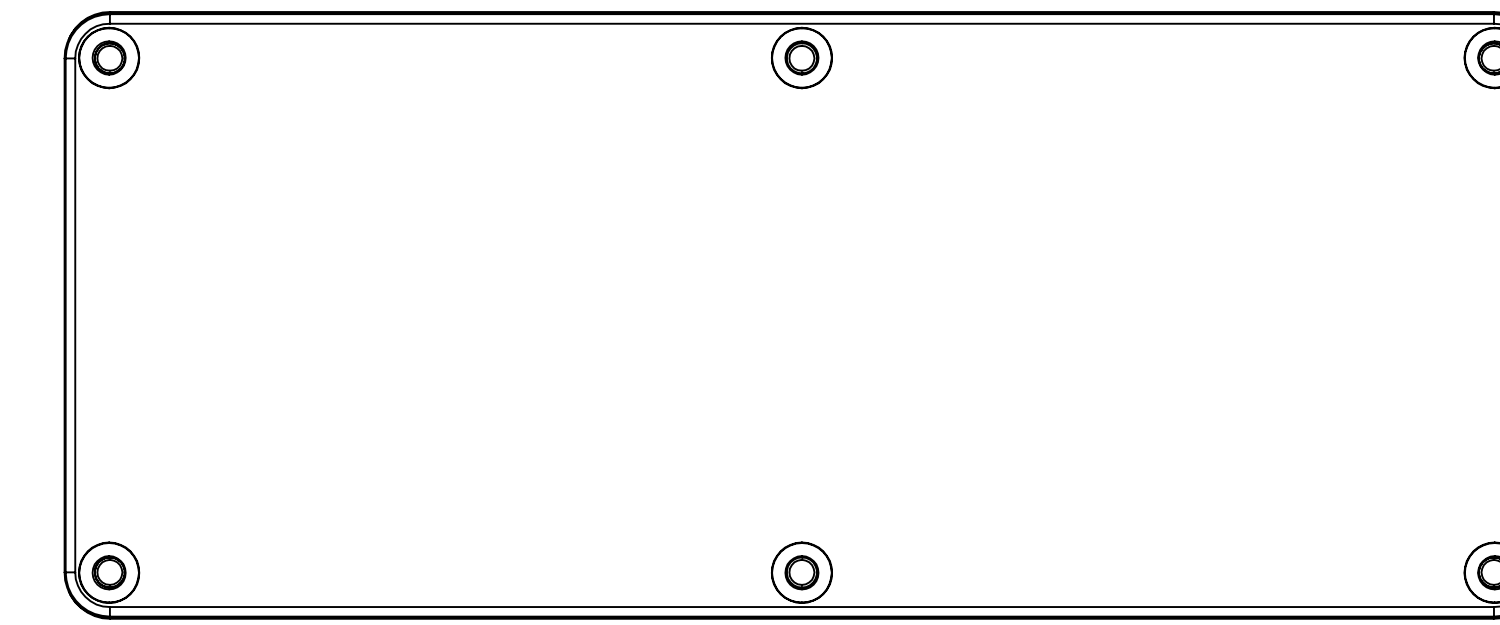
SURFACE-5



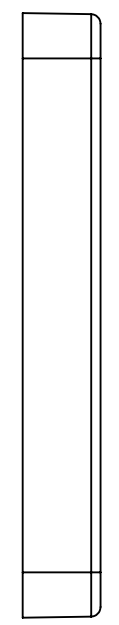
SURFACE-4



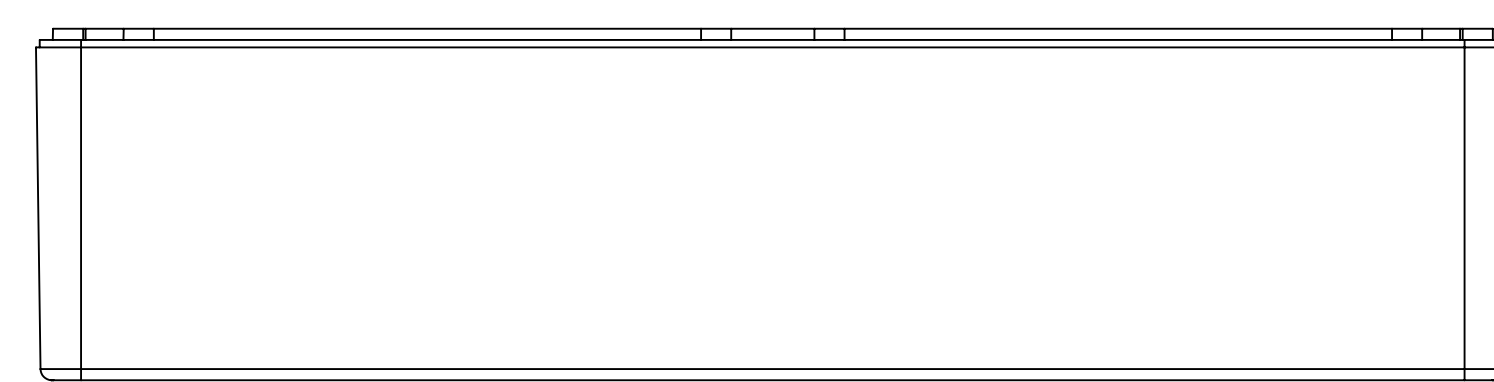
SURFACE-9



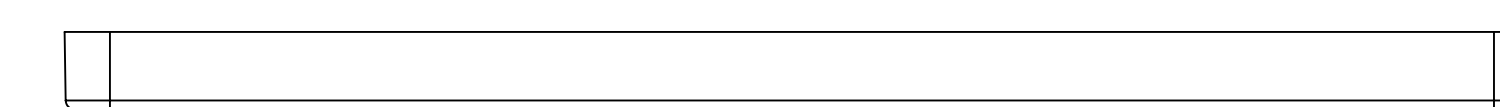
SURFACE-11



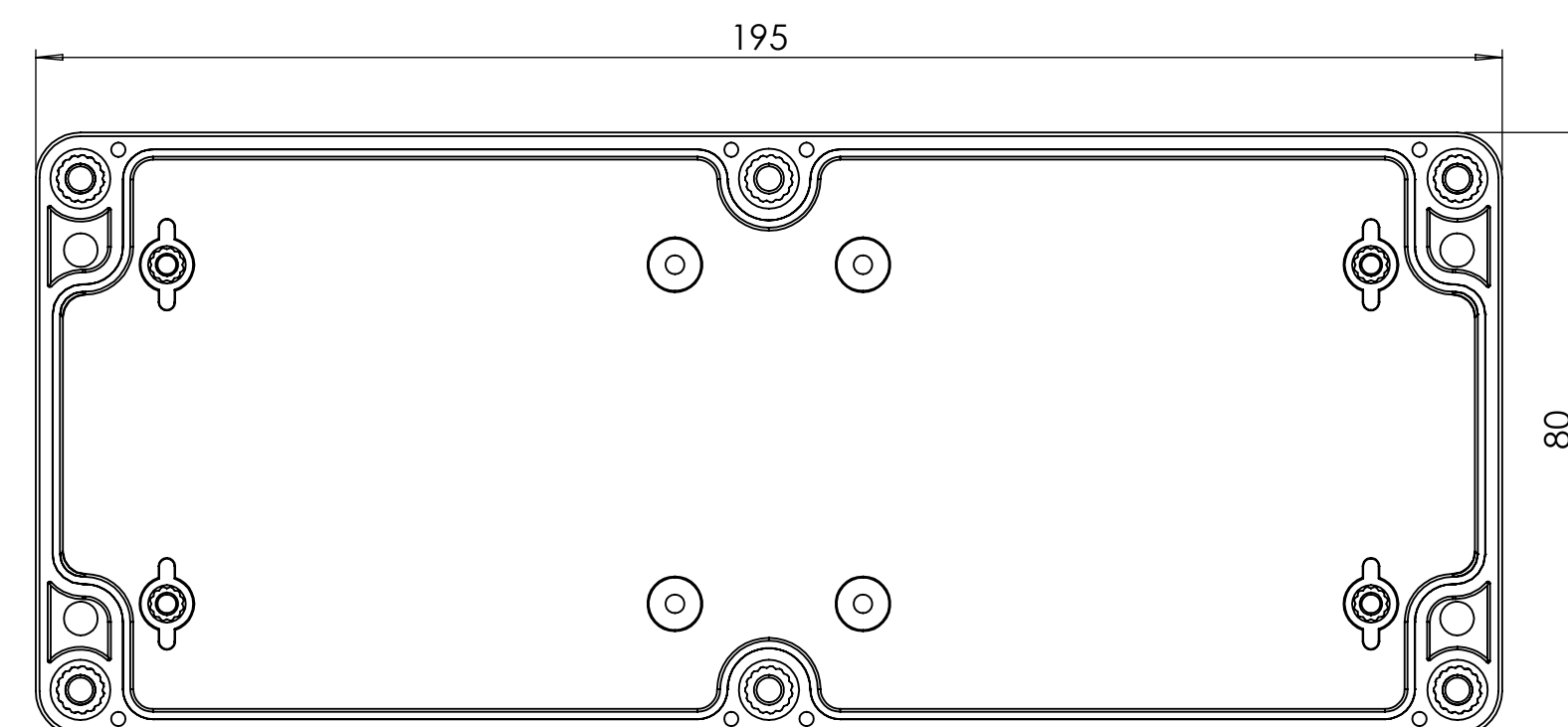
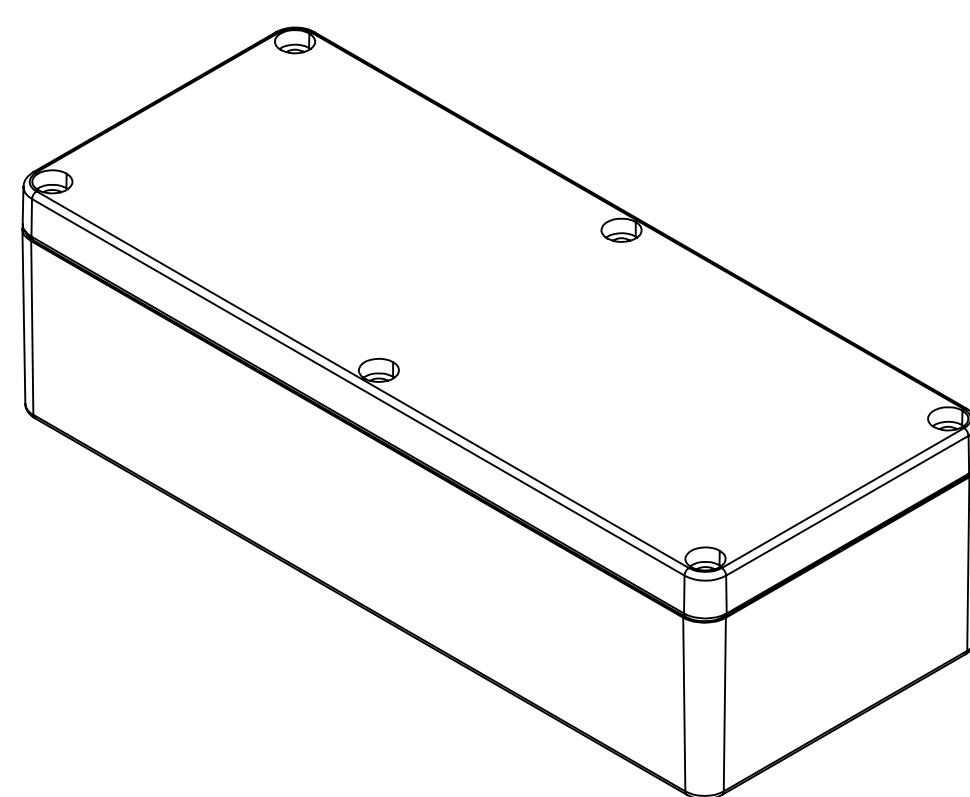
SURFACE-10



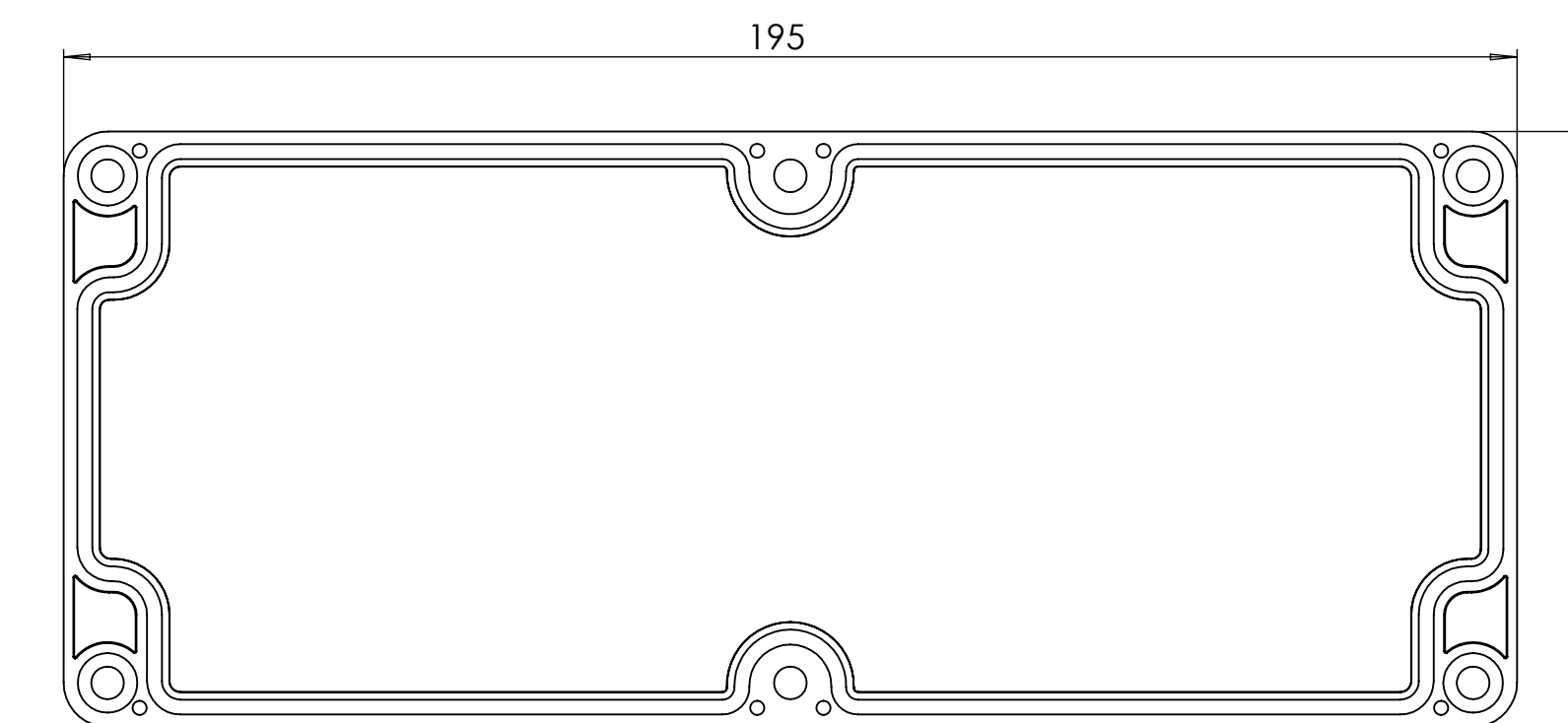
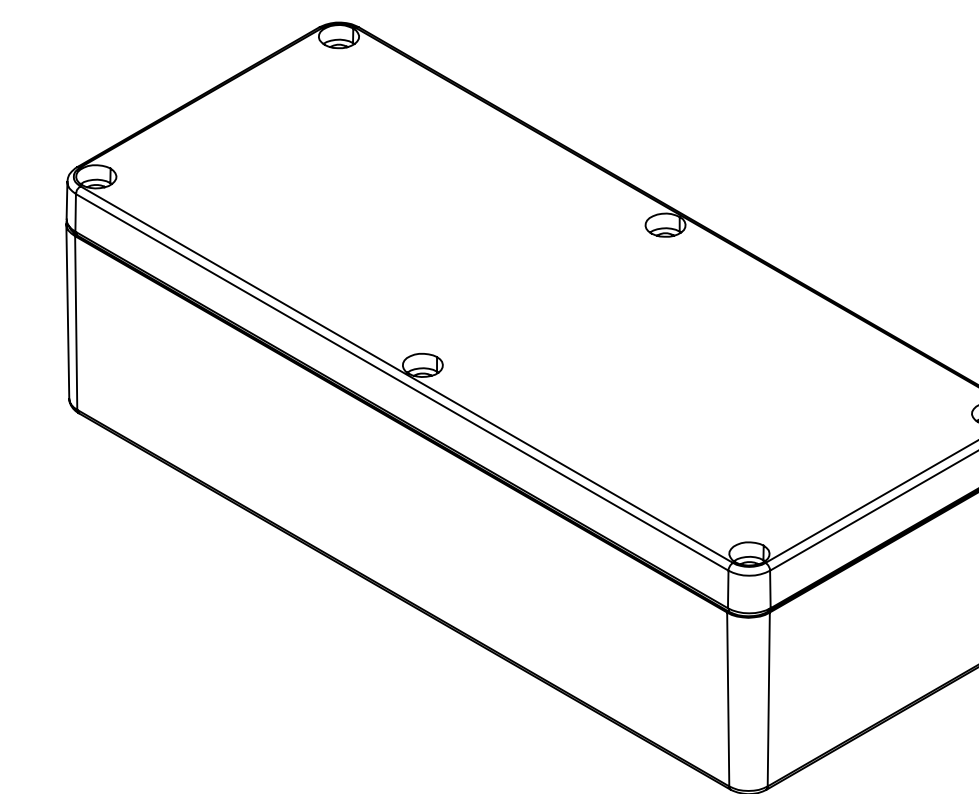
SURFACE-2



SURFACE-8



SURFACE-6 (INSIDE)

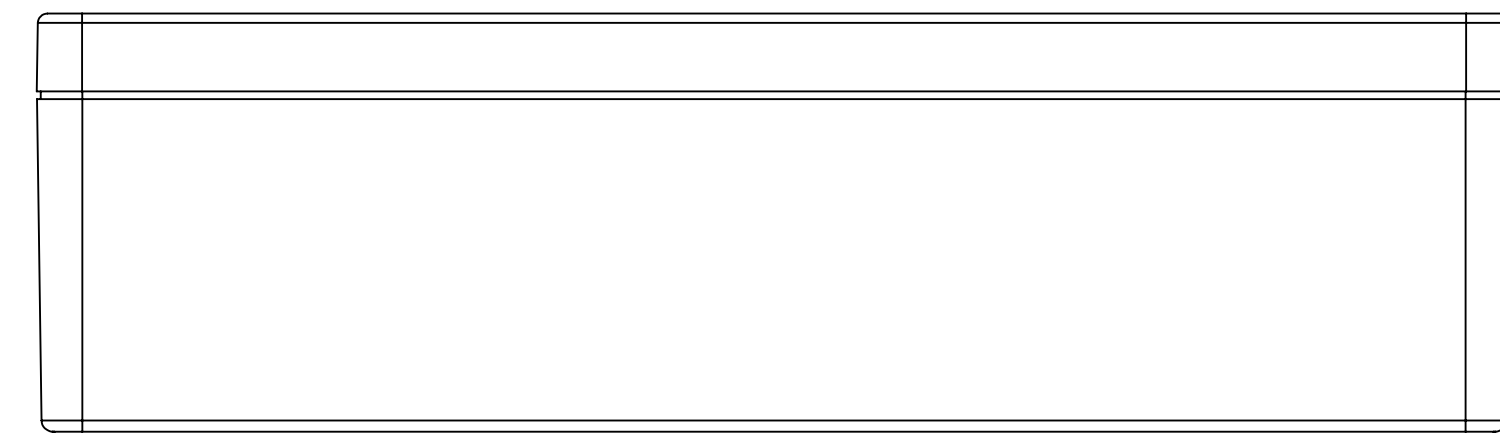


SURFACE-12 (INSIDE)

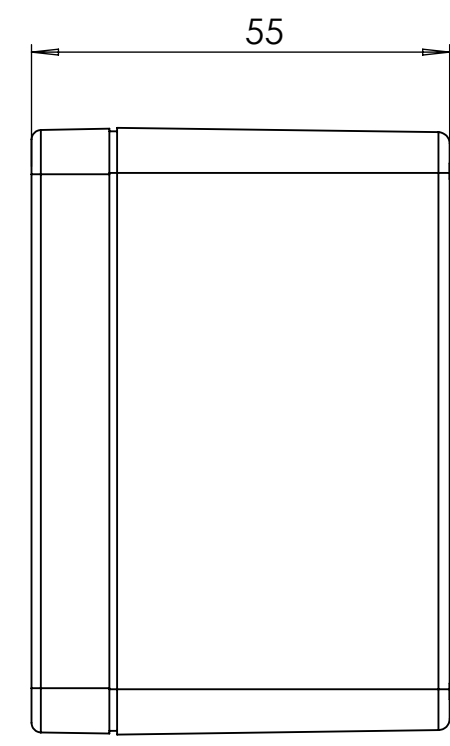
| REV. NO | DATE | REVISED BY | DESCRIPTION OF CHANGE |
|--|-------|-----------------------|-----------------------|
|  ALTINKAYA Electronic Enclosures & Components | | | |
| Customer Name: | | Customer Ref.: | |
| Altinkaya Ref.: | | Part Name: SE-234-0-0 | |
| DRAWN | NAME | DATE | Drawn From: |
| CHECKED | Y.YEL | 8.06.2024 | Weight: |
| DIMENSIONAL TOLERANCES UNLESS OTHERWISE SPECIFIED (DIN7168) | | | |
| 0.5-3mm | 3-6mm | 6-30mm | 30-120mm |
| ±0.1 | ±0.1 | ±0.2 | ±0.3 |
| | | | 120-400mm |
| | | | Dimension (mm) |
| | | | ±0.5 |
| | | | m (Medium) |
| | | | SCALE 1:1 |
| | | | SHEET 1 OF 2 |
| | | | UNIT: mm |
| | | | A0 |

www.altinkaya.com

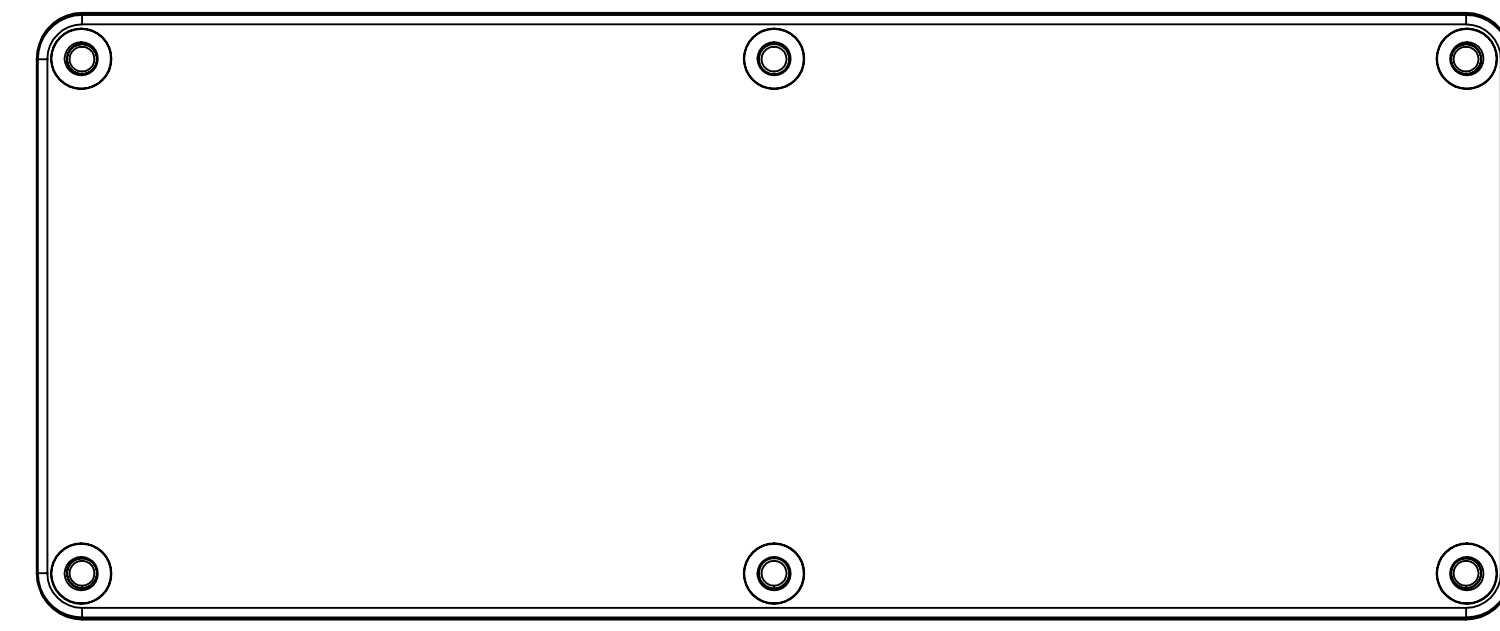
SE-234 IF MACHINED TOGETHER



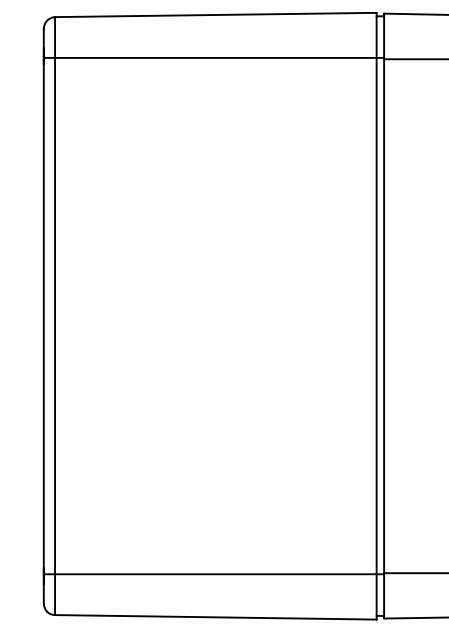
SURFACE-13



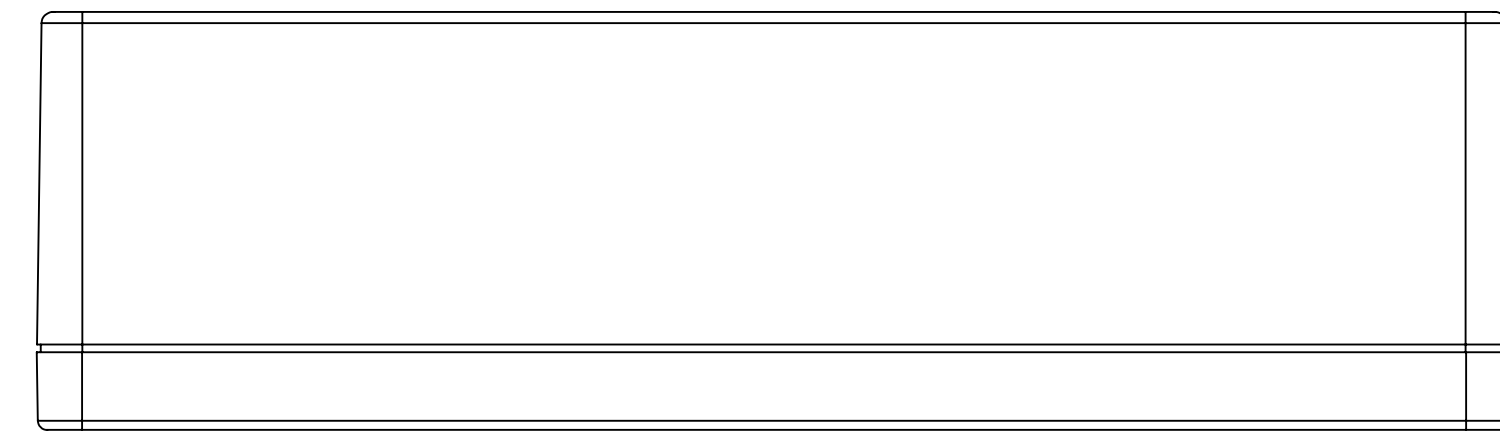
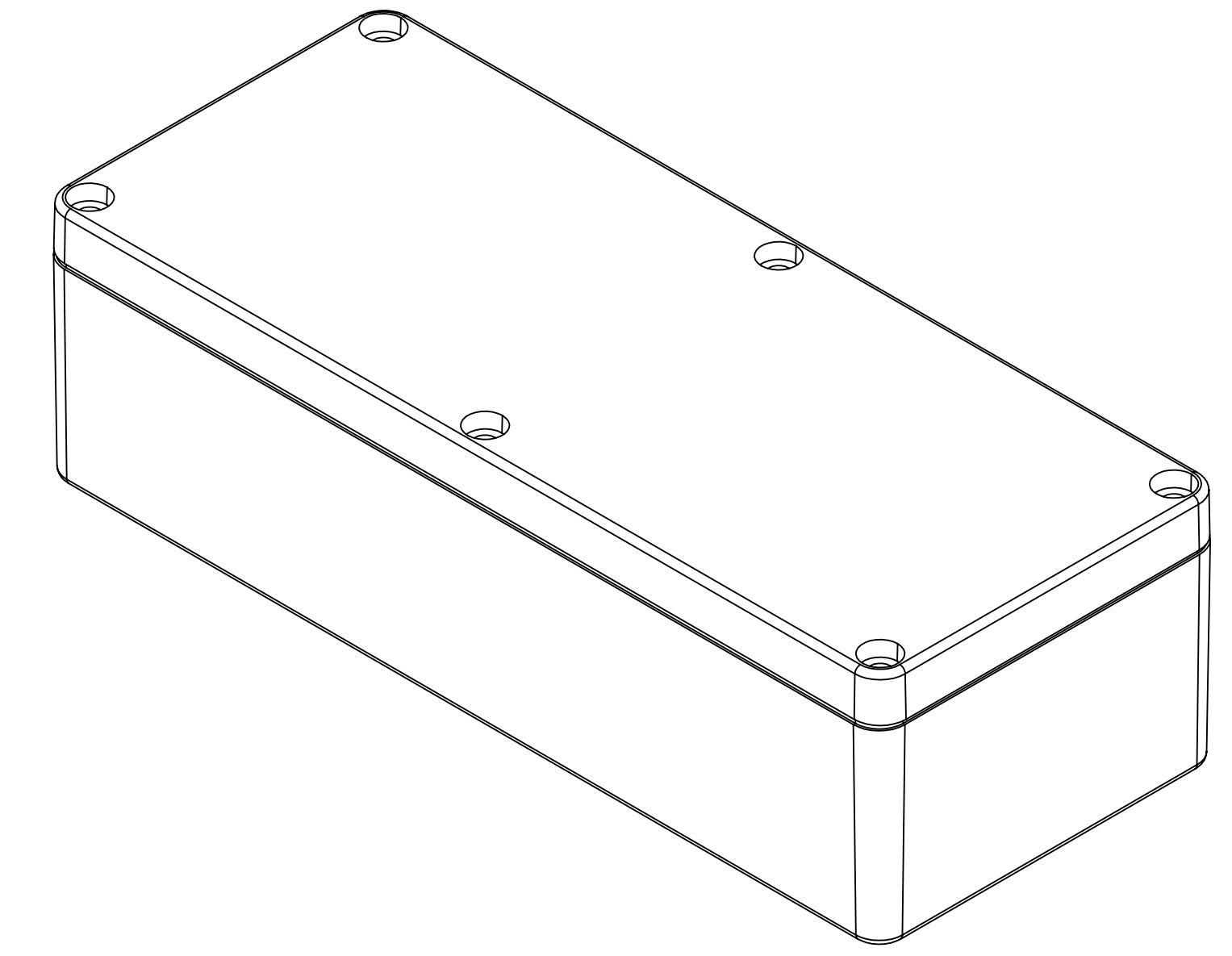
SURFACE-15



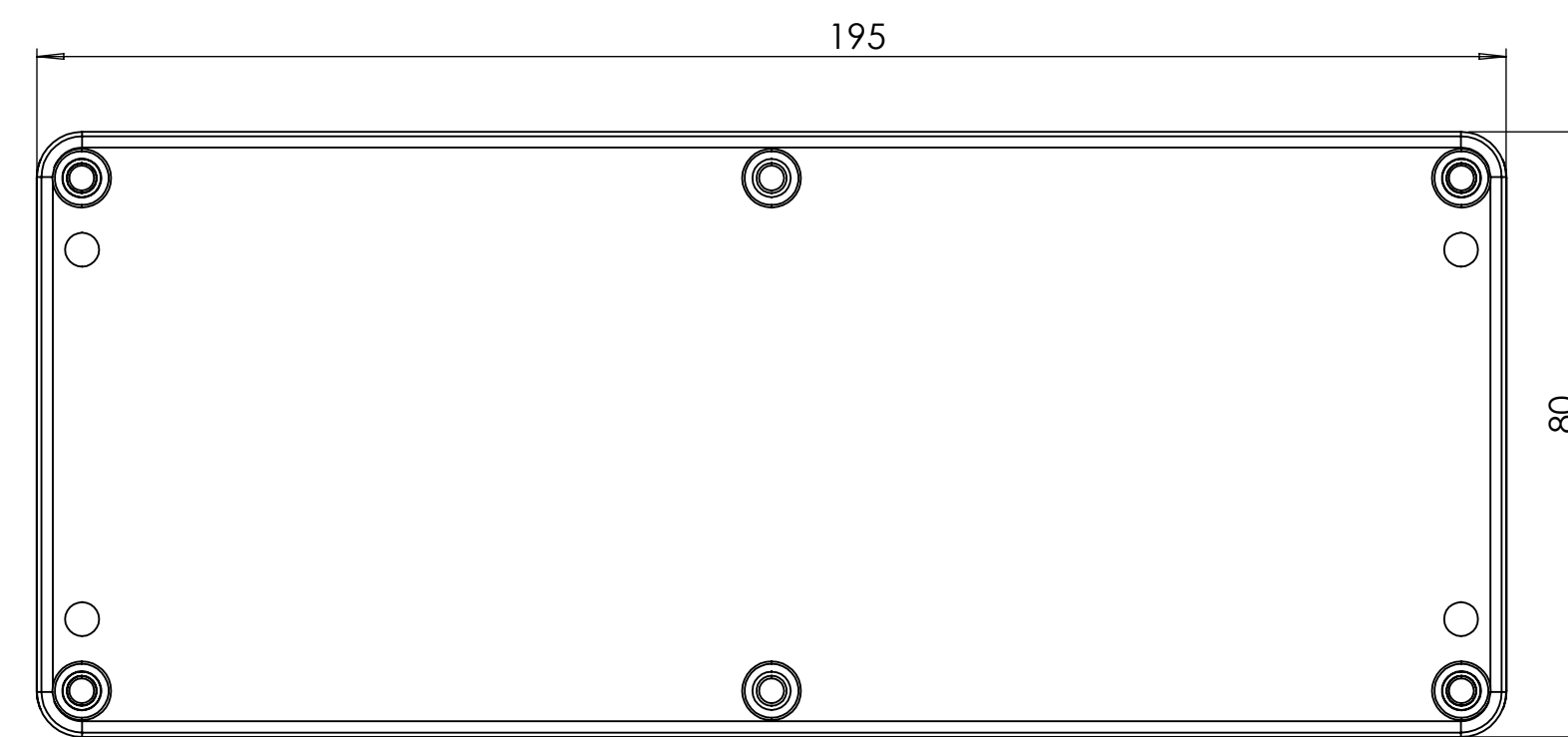
SURFACE-17



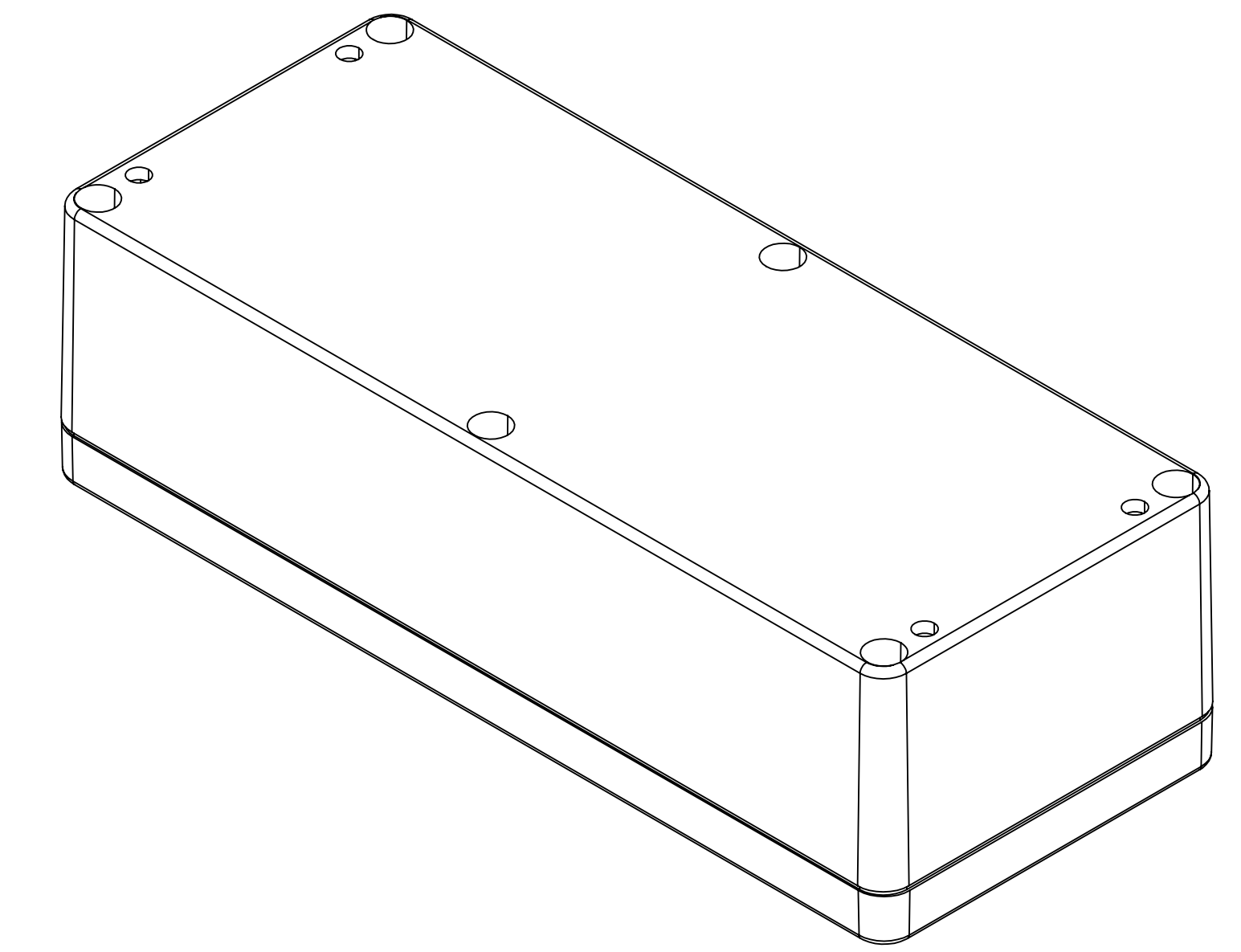
SURFACE-16



SURFACE-14



SURFACE-18



| REV. NO | DATE | REVISED BY | DESCRIPTION OF CHANGE | | |
|--|-------|-----------------------|--|--------------|--------|
|  ALTINKAYA Electronic Enclosures & Components | | | www.altinkaya.com | | |
| Customer Name: | | Customer Ref. : | | | |
| Altinkaya Ref. : | | Part Name: SE-234-0-0 | | | |
| DRAWN | NAME | DATE | Drawn From : | SCALE 1:1 | |
| CHECKED | Y.YEL | 8.06.2024 | Weight : | SHEET 2 OF 2 | |
| DIMENSIONAL TOLERANCES UNLESS OTHERWISE SPECIFIED (DIN7168) | | | 0.5-3mm | 3-6mm | 6-30mm |
| | | | ±0.1 | ±0.1 | ±0.2 |
| | | | ±0.2 | ±0.3 | ±0.5 |
| | | | Dimension (mm) | | |
| | | | m (Medium) | | |
| | | | UNIT: mm | | |
| | | | A0 | | |