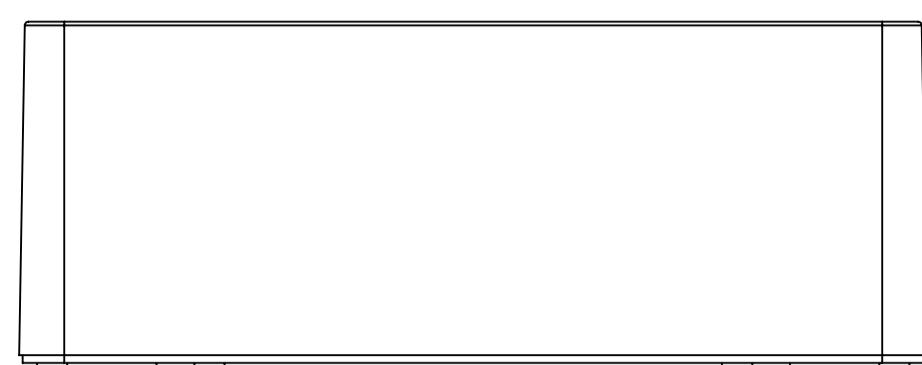
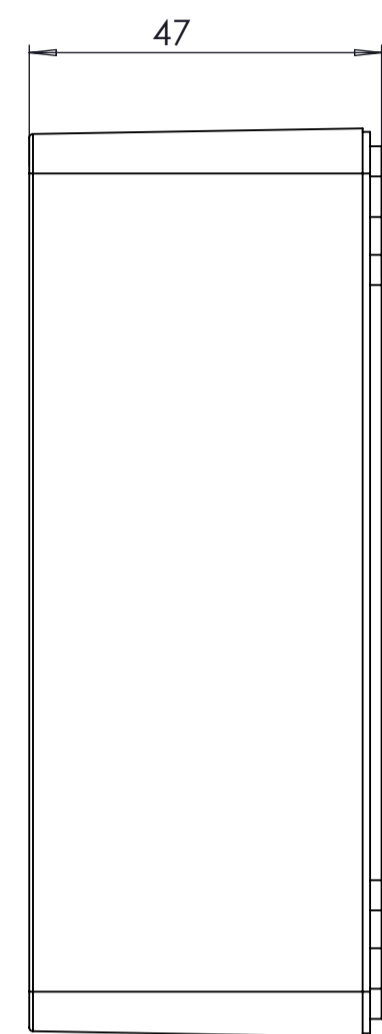


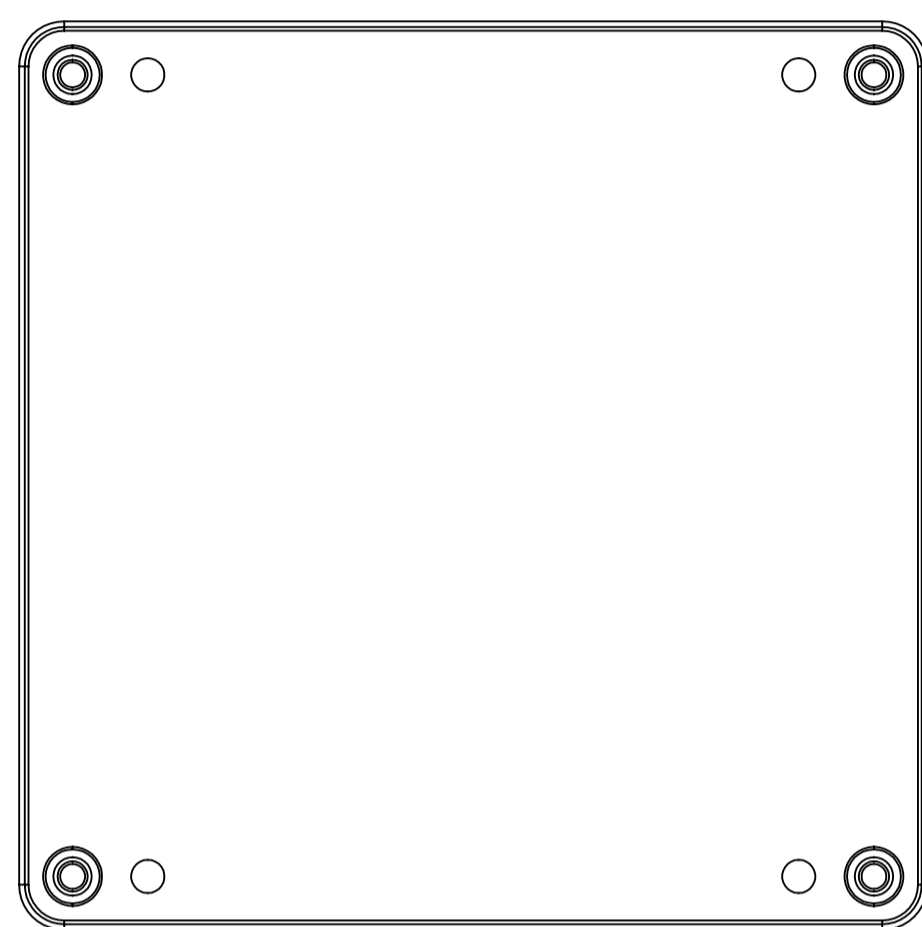
**BASE: 6 SURFACE**



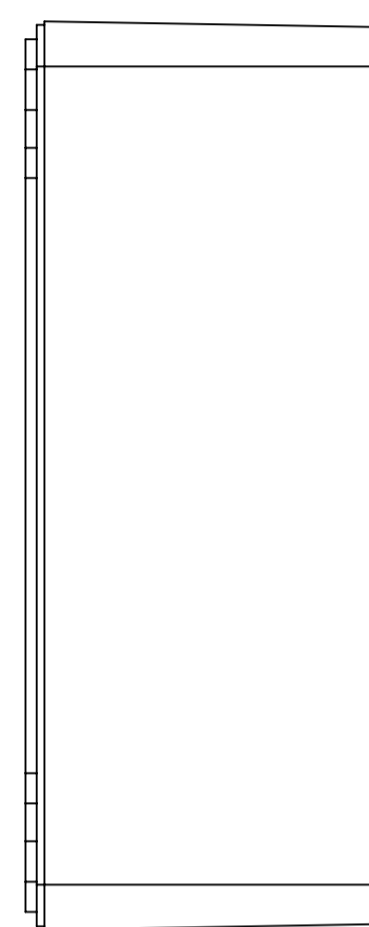
SURFACE-1



SURFACE-3



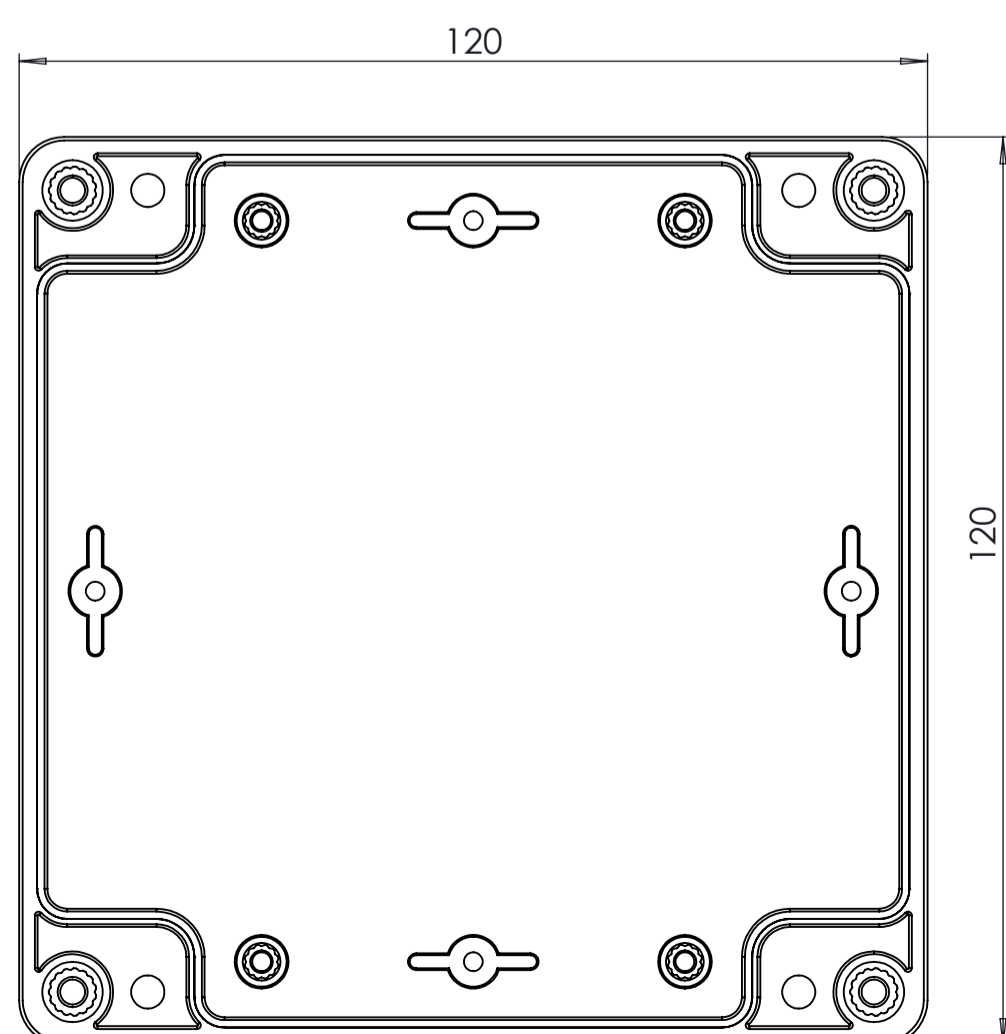
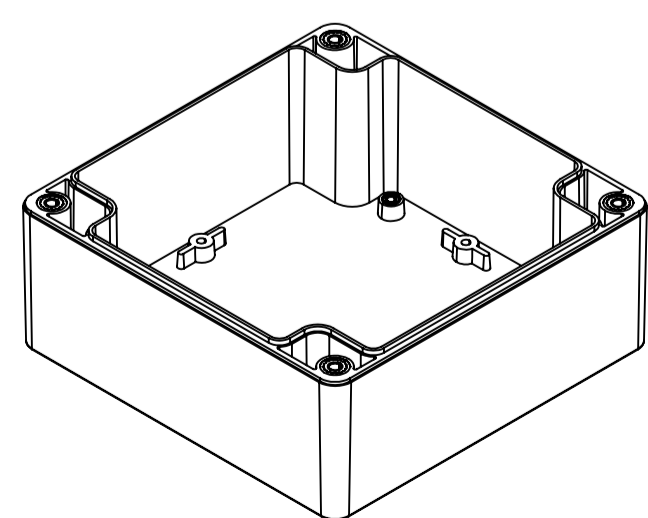
SURFACE-5



SURFACE-4

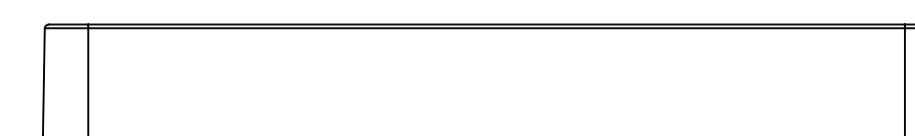


SURFACE-2

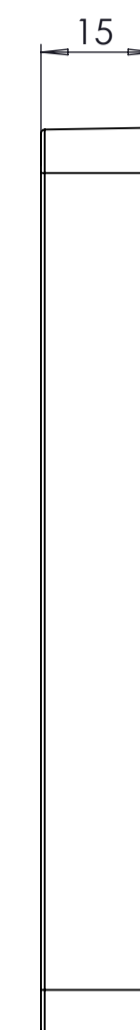


SURFACE-6 (INSIDE)

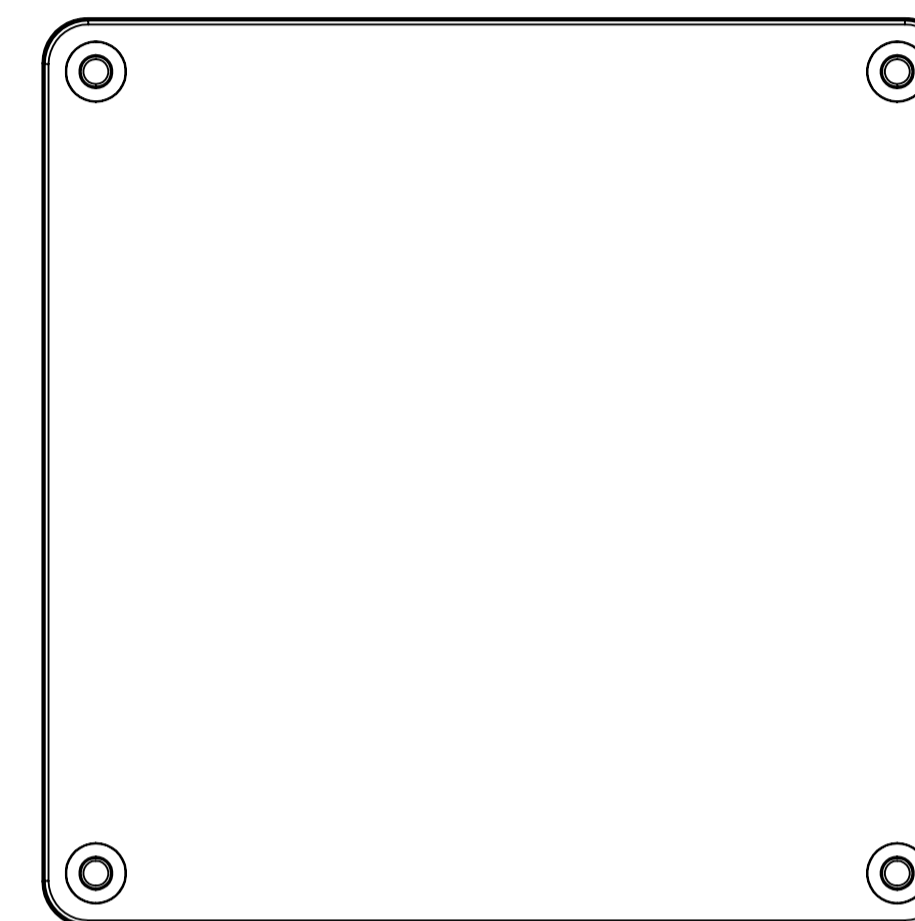
**COVER: 6 SURFACE**



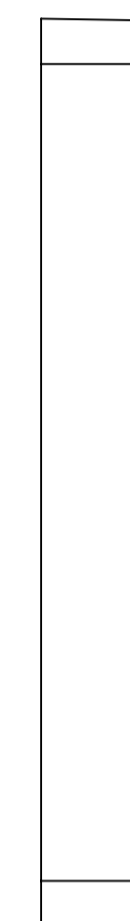
SURFACE-7



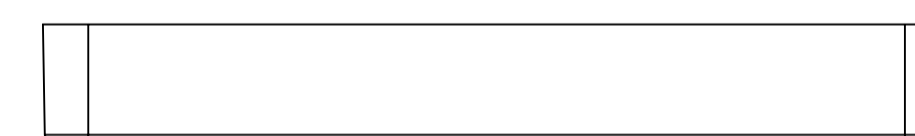
SURFACE-9



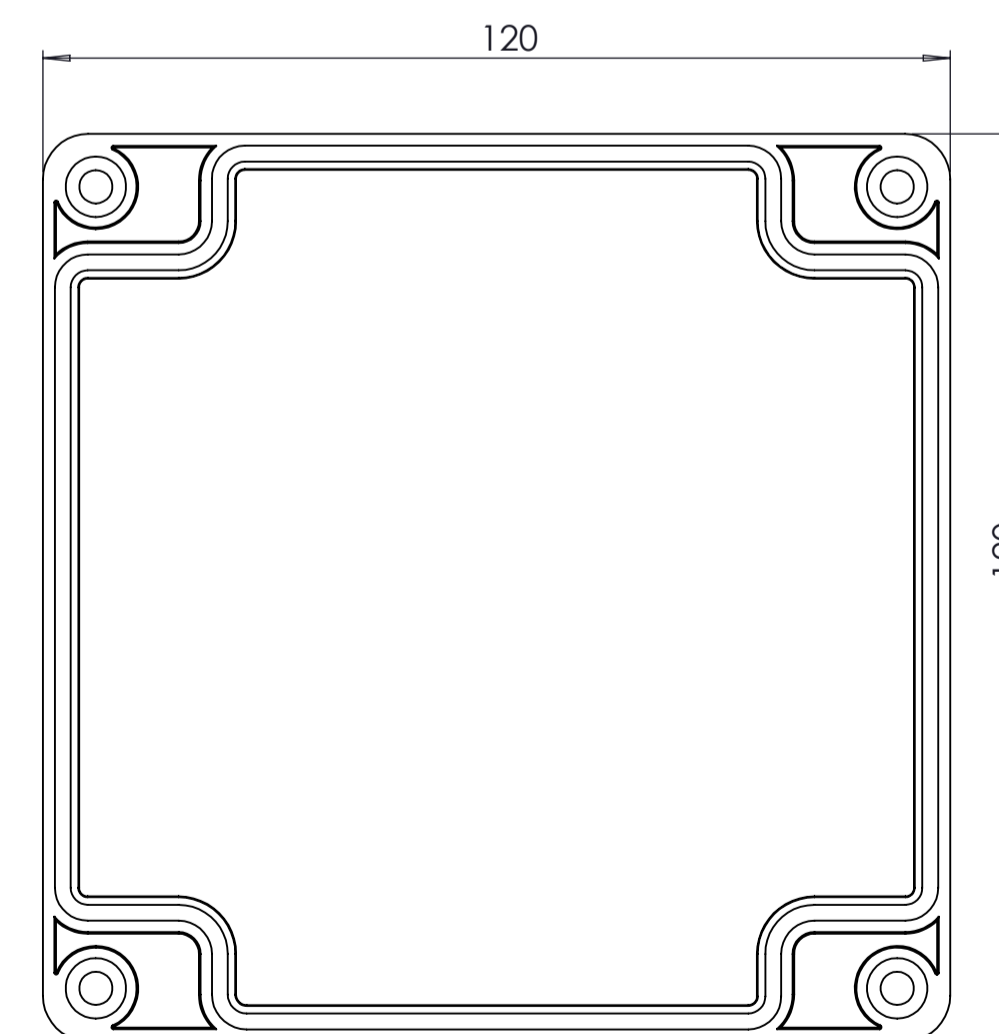
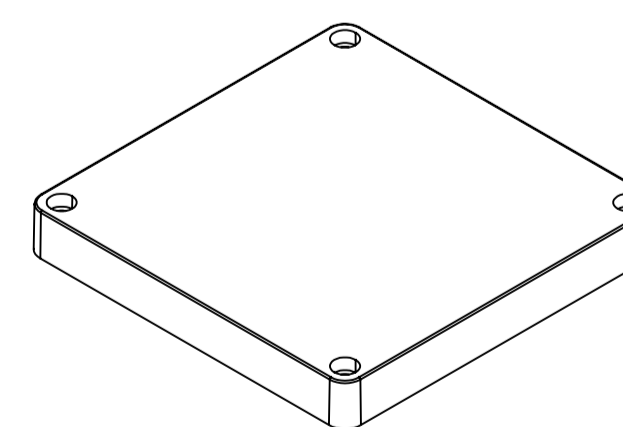
SURFACE-11



SURFACE-10



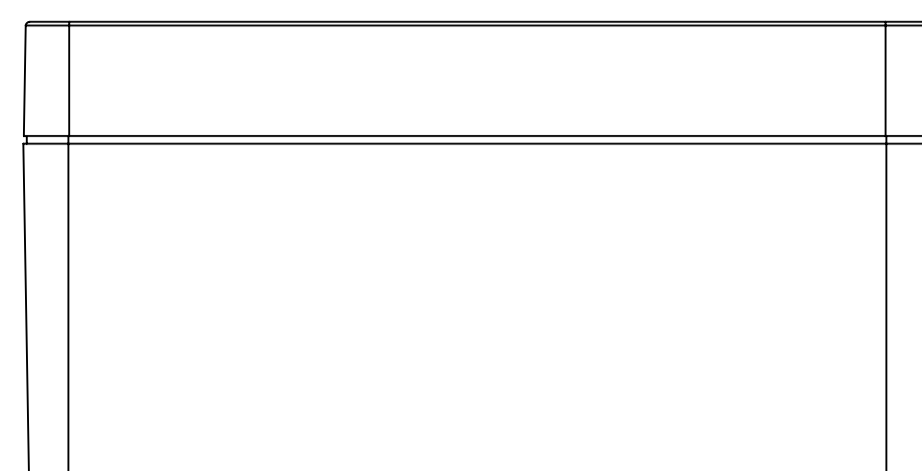
SURFACE-8



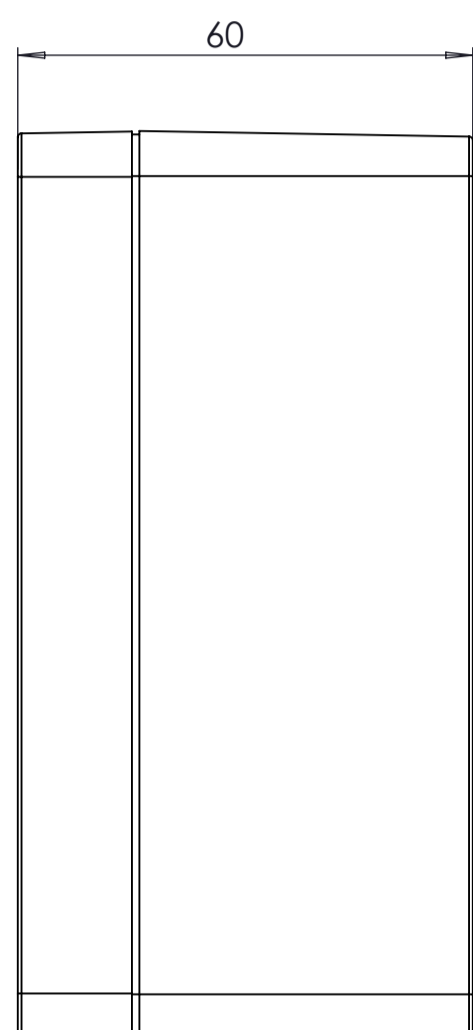
SURFACE-12 (INSIDE)

REV. NO.	DATE	REVISED BY	DESCRIPTION OF CHANGE
 <b>ALTINKAYA</b> Electronic Enclosures & Components <a href="http://www.altinkaya.com">www.altinkaya.com</a>			
Customer Name:		Customer Ref.:	
Altinkaya Ref.:		Part Name: SE-230-0-0	
DRAWN	NAME	DATE	Drawn From:
CHECKED	Y. YESLOZ	7.06.2024	Material:
DIMENSIONAL TOLERANCES UNLESS OTHERWISE SPECIFIED:		Weight:	SCALE 1:1 UNIT : mm
(R&T/148)	±0.1	±0.1	±0.2
	±0.1	±0.2	±0.3
			±0.5
			Dimension(mm)
			120-400mm
			m(medium)
			A1
			SHEET 1 OF 2

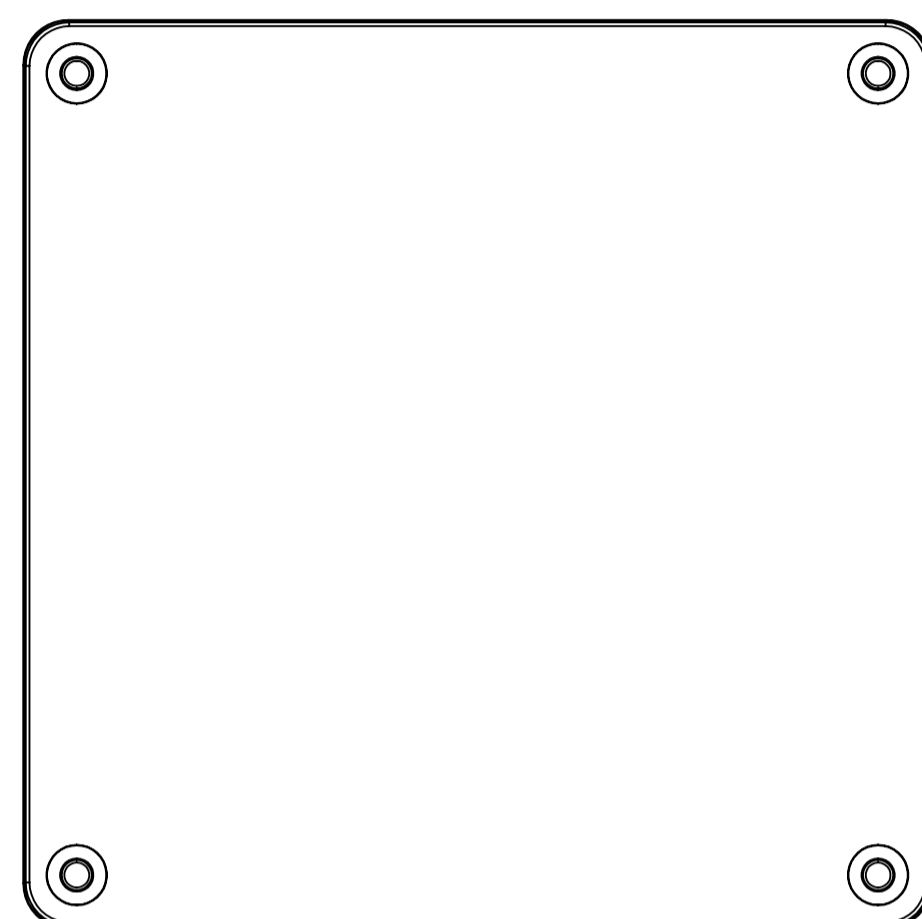
**SE-230 IF MACHINED TOGETHER**



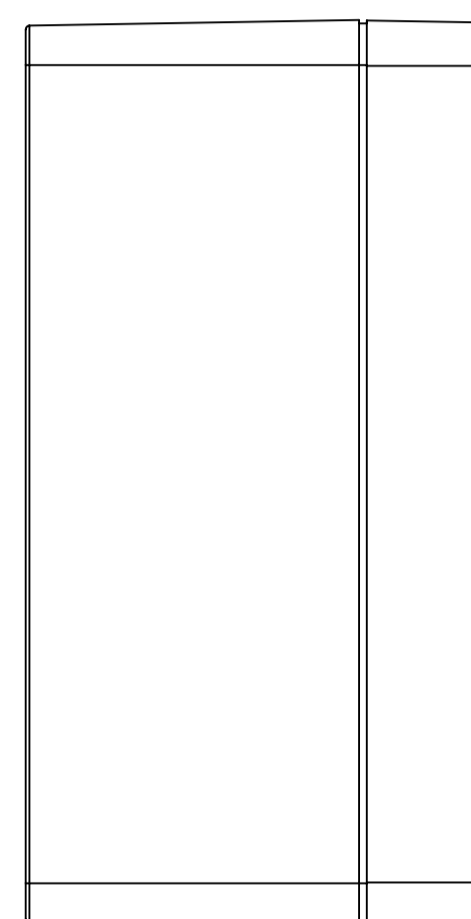
SURFACE-13



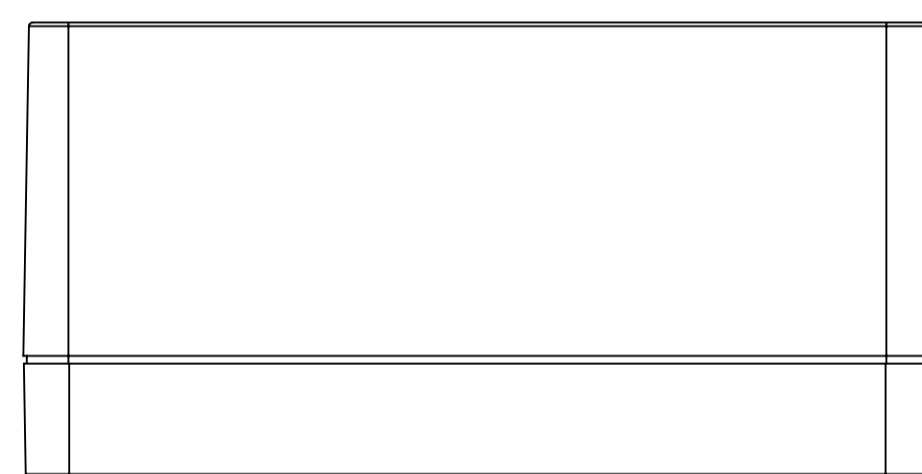
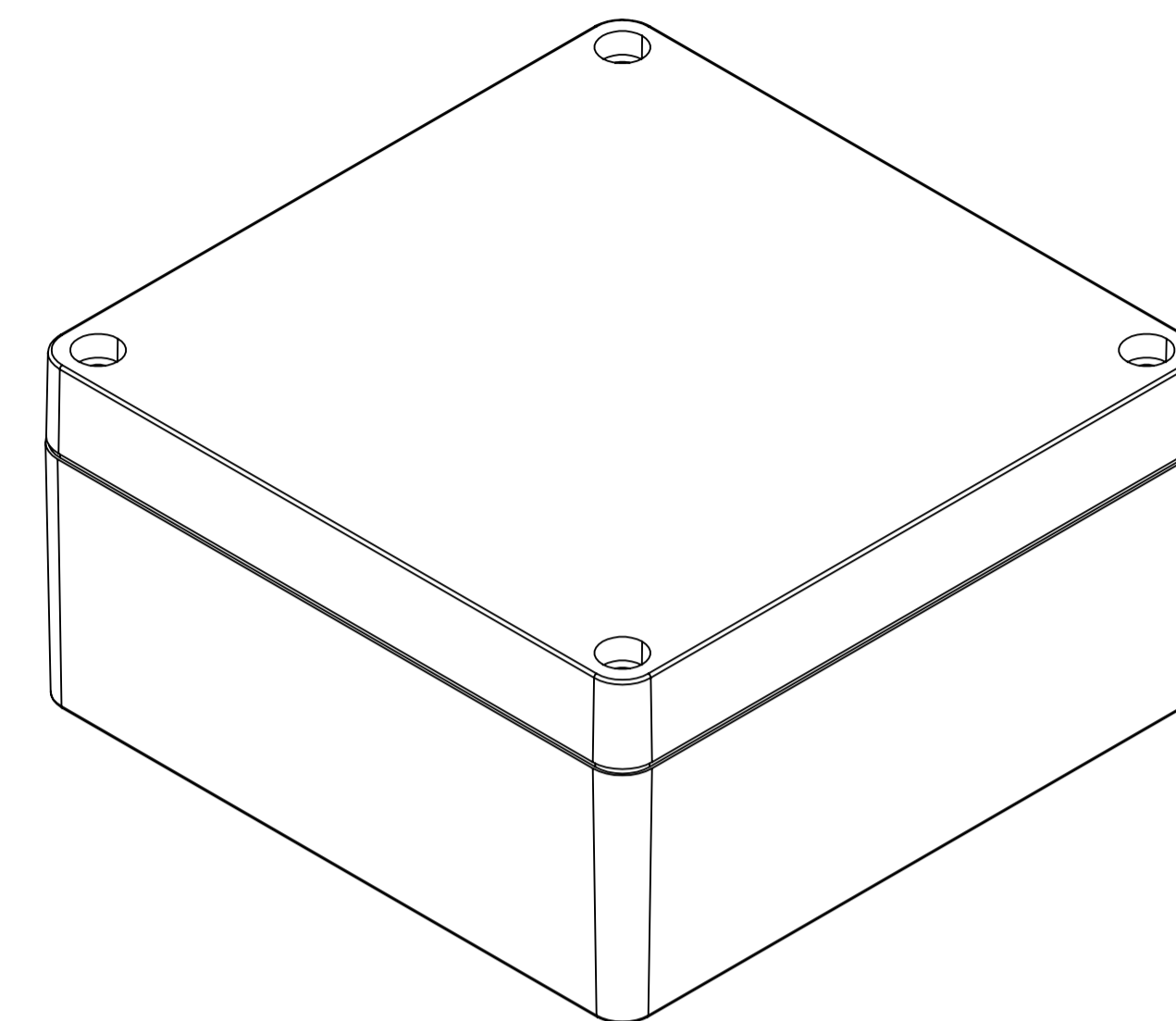
SURFACE-15



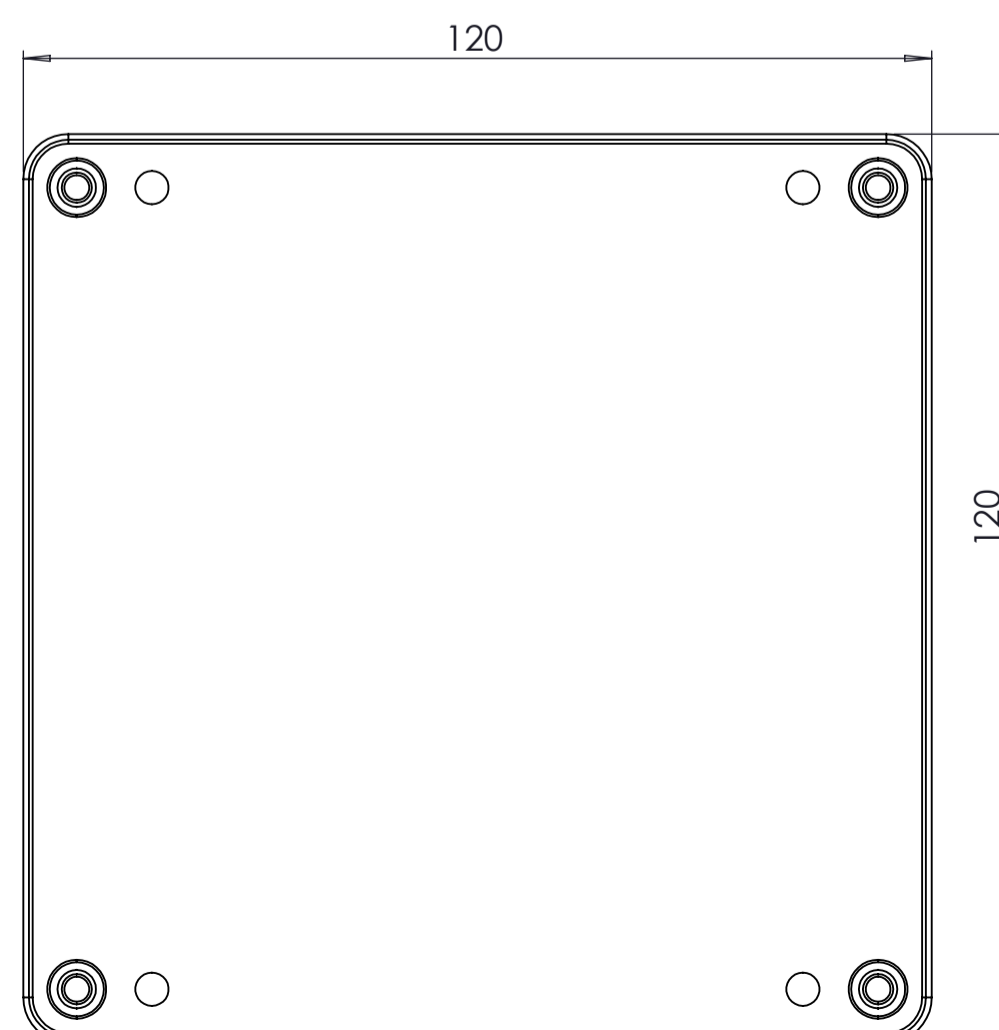
SURFACE-17



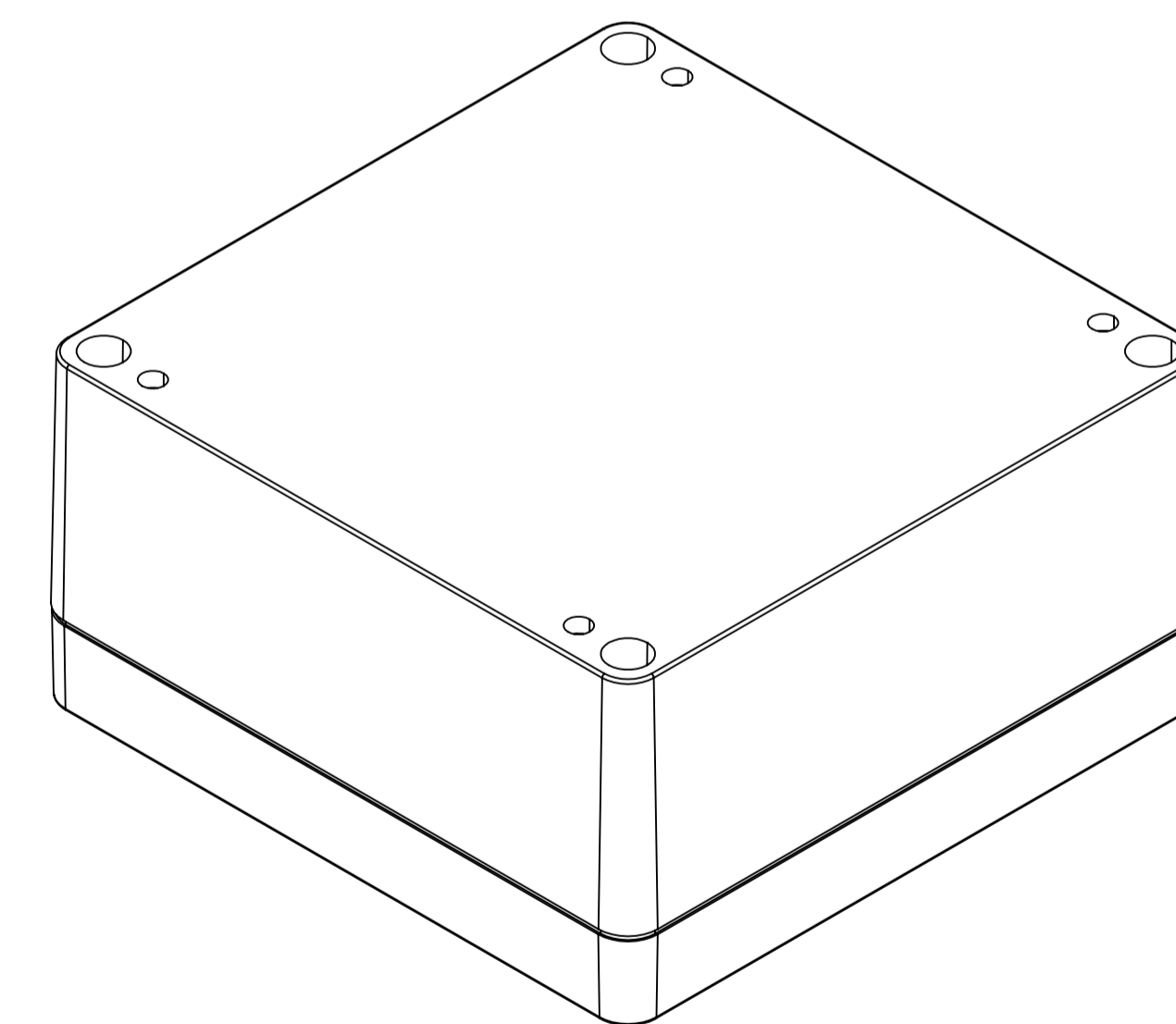
SURFACE-16



SURFACE-14



SURFACE-18



REV. NO.	DATE	REVISED BY	DESCRIPTION OF CHANGE
 <b>ALTINKAYA</b> Electronic Enclosures & Components <a href="http://www.altinkaya.com">www.altinkaya.com</a>			
Customer Name:		Customer Ref.:	
Altinkaya Ref.:		Part Name: SE-230-0-0	
DRAWN	NAME	DATE	Drawn From:
CHECKED	Y. YESLOZ	7.06.2024	Material:
DIMENSIONAL TOLERANCES UNLESS OTHERWISE SPECIFIED:			Weight:
(mm)	±0.1	±0.1	±0.2
	±0.1	±0.2	±0.3
			±0.5
SCALE: 1:1			UNIT: mm
Dimension(mm)			30-120mm
Dimension(mm)			120-400mm
Dimension(mm)			m(medium)
SHEET 2 OF 2			A1