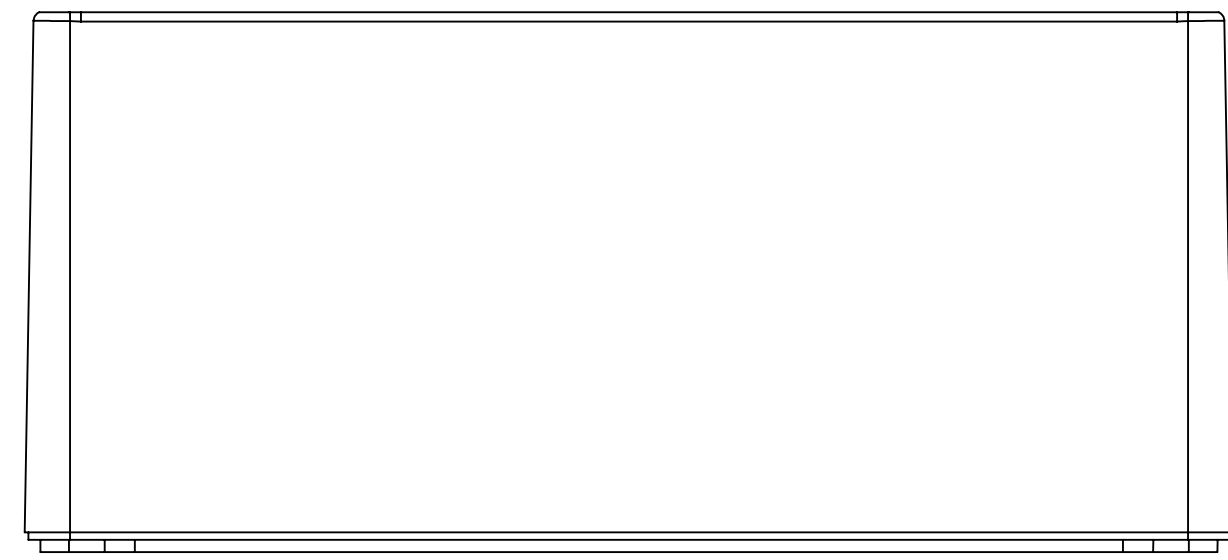
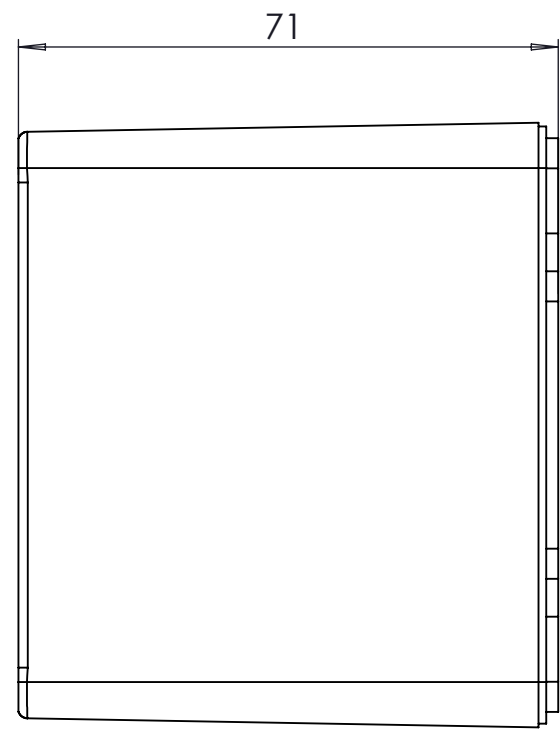


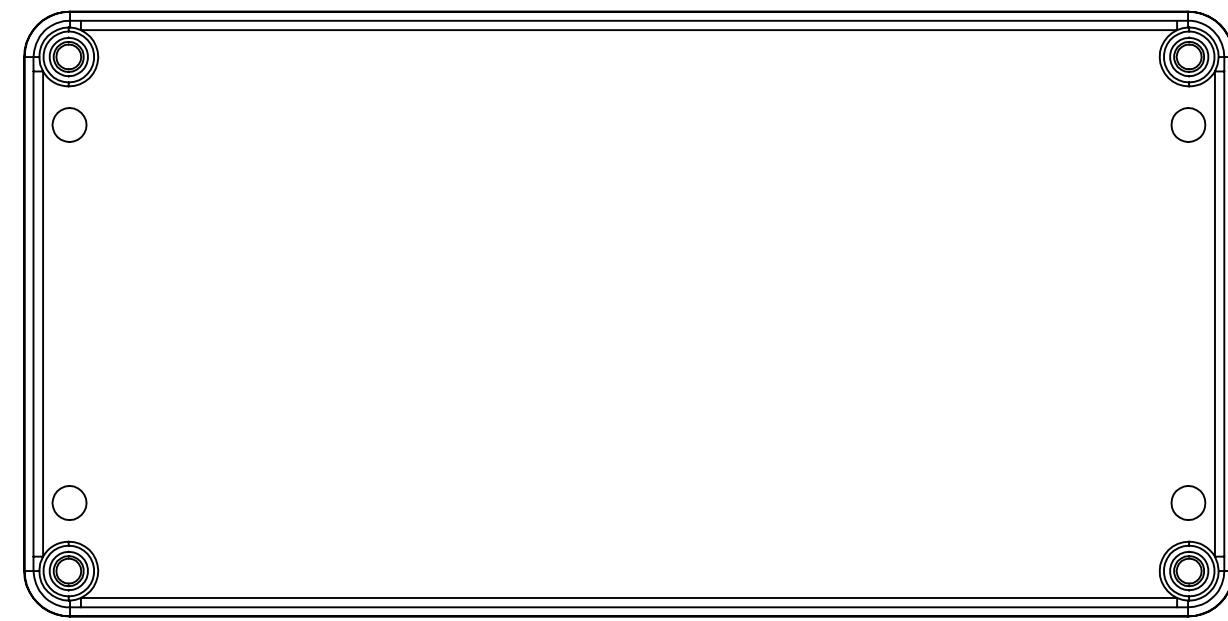
BASE: 6 SURFACE



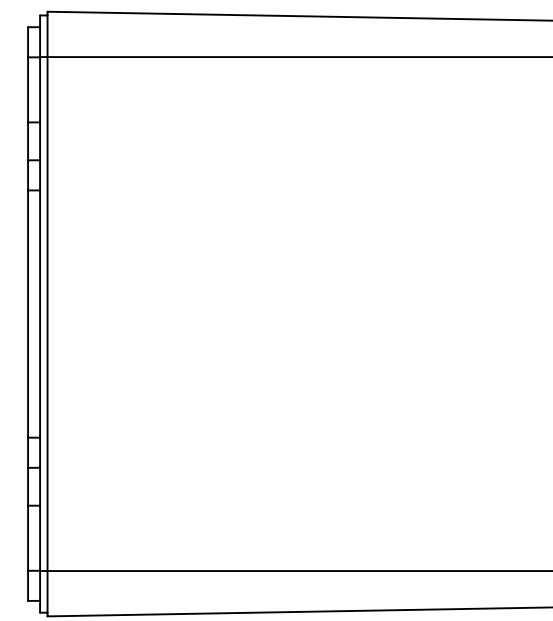
SURFACE-1



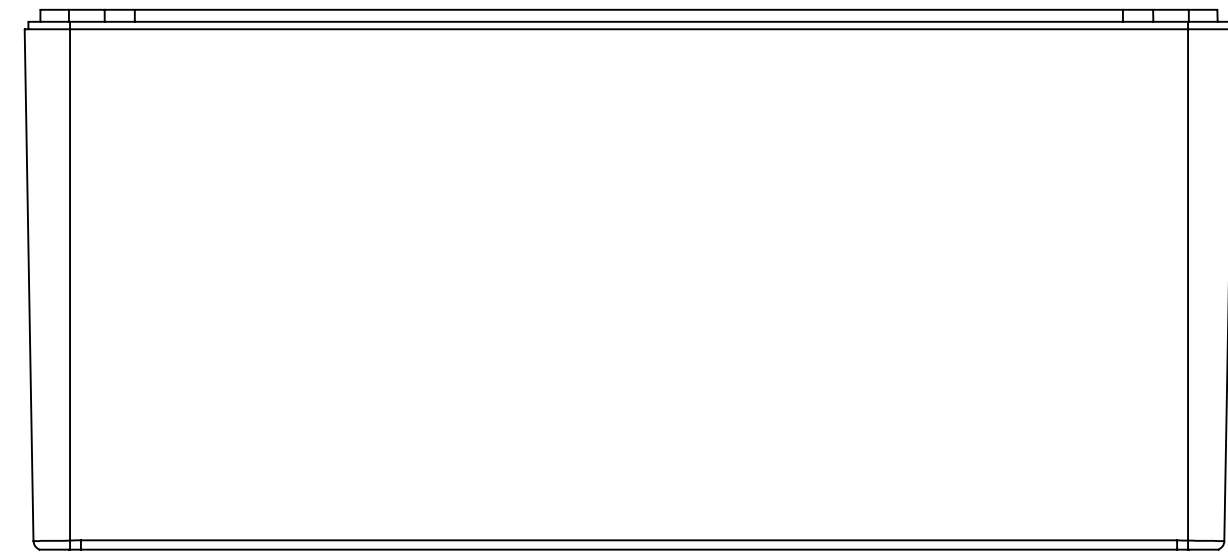
SURFACE-3



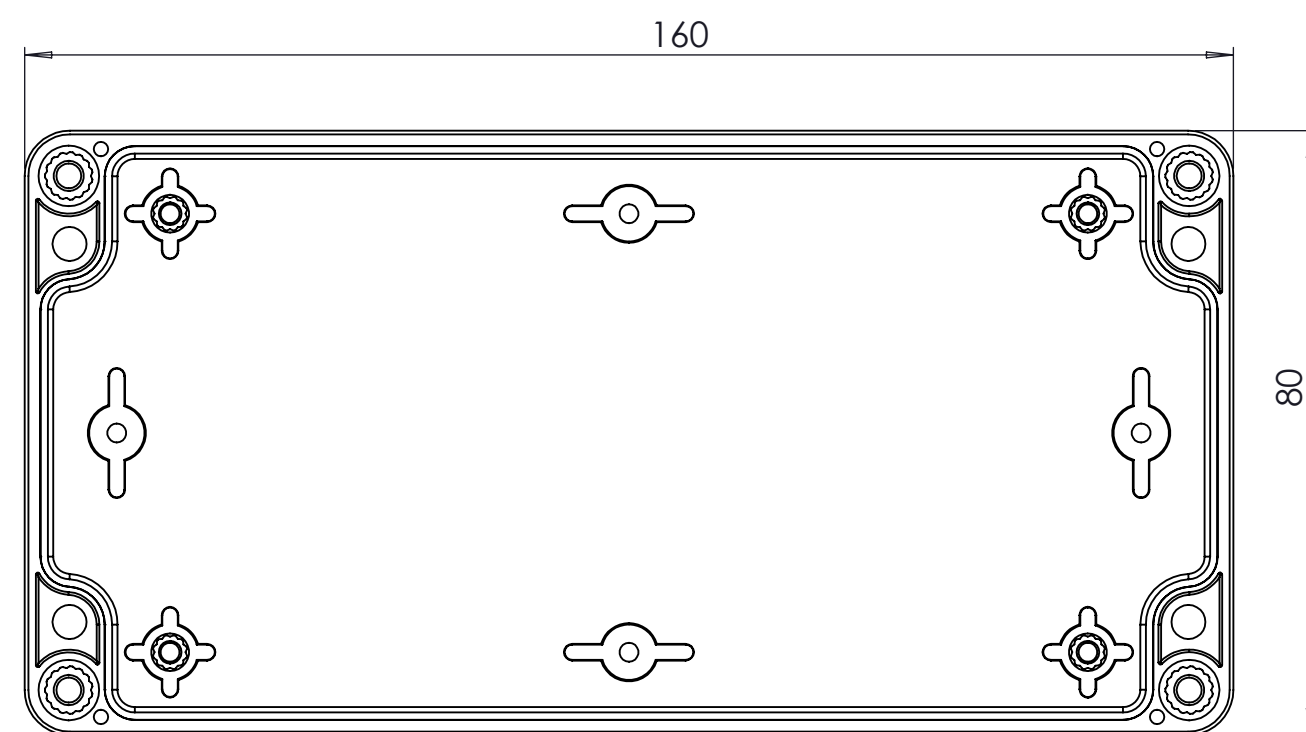
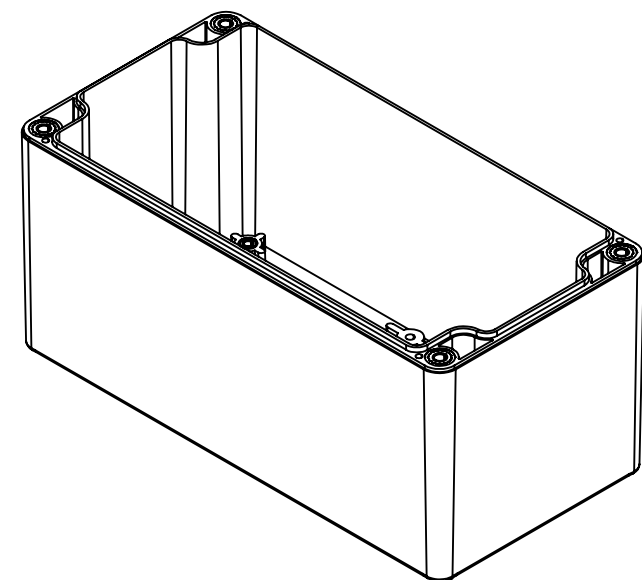
SURFACE-5



SURFACE-4

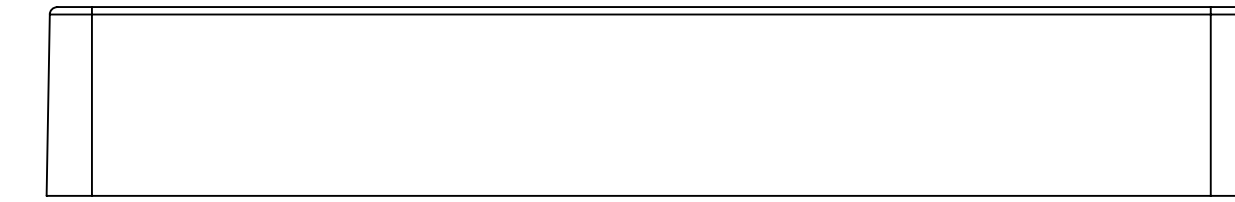


SURFACE-2

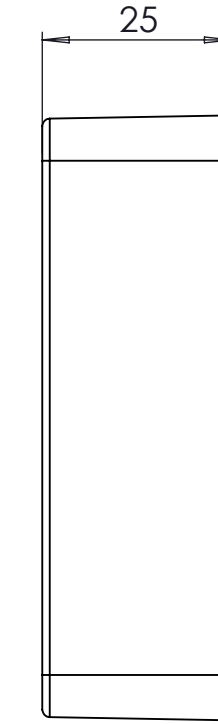


SURFACE-6 (INSIDE)

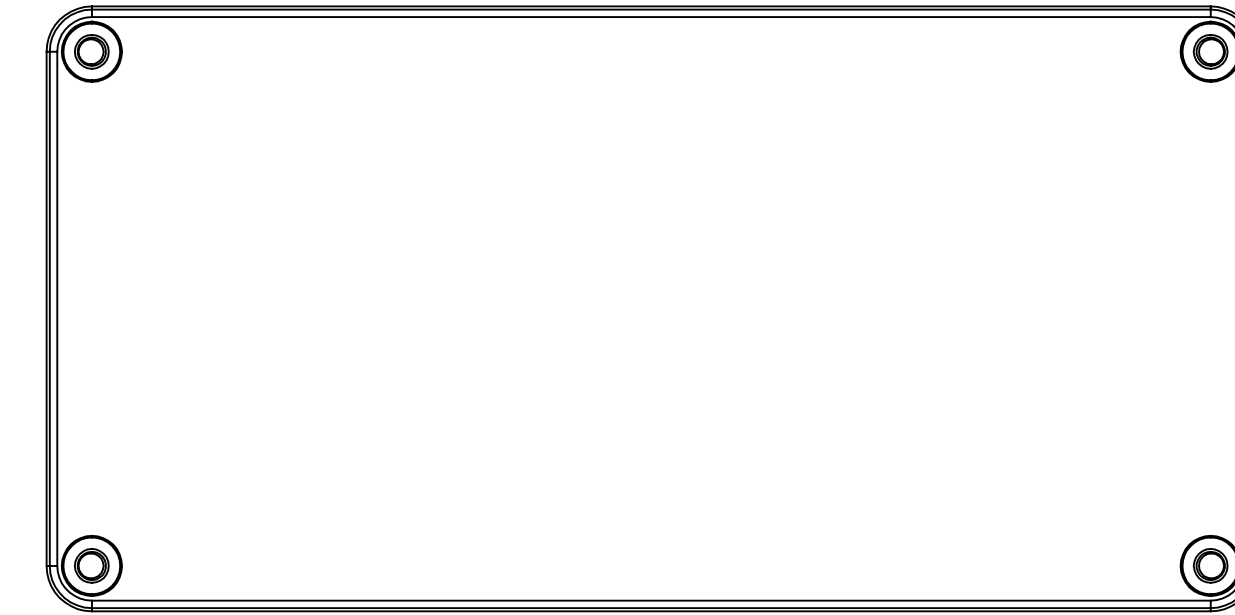
COVER: 6 SURFACE



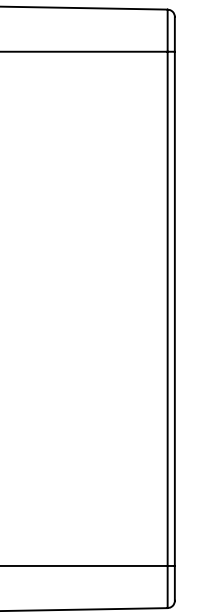
SURFACE-7



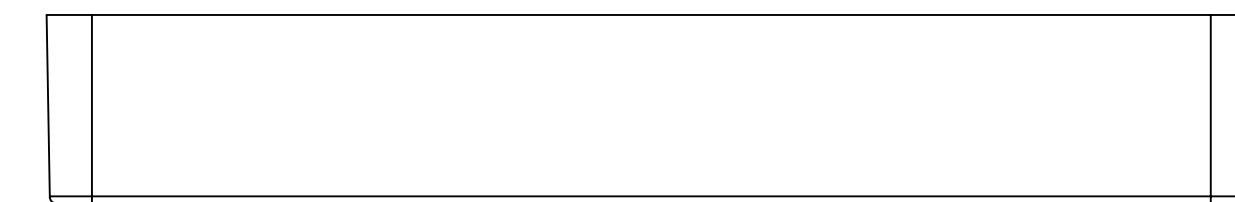
SURFACE-9



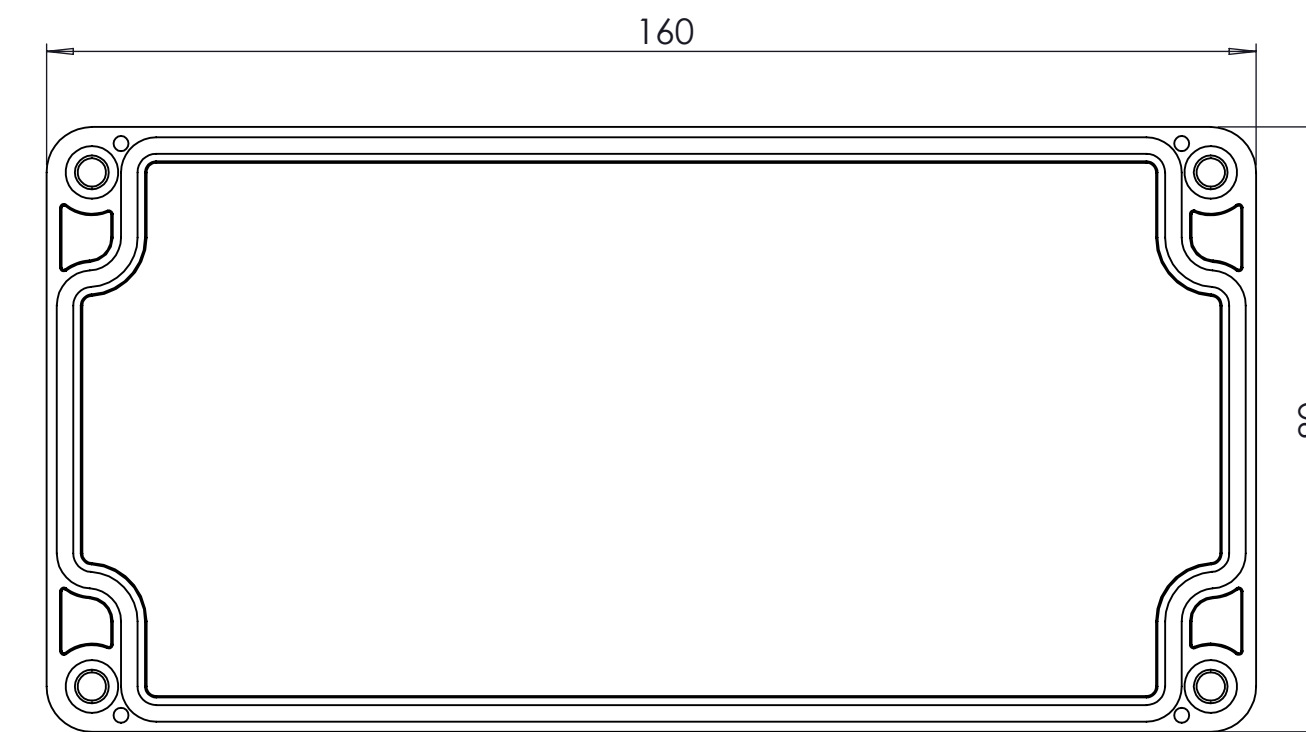
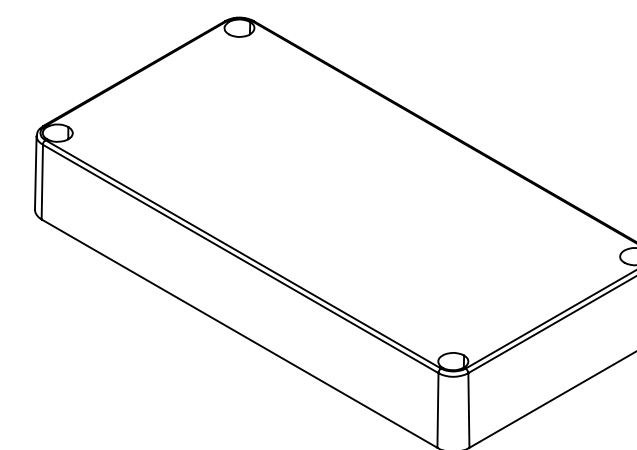
SURFACE-11




SURFACE-10



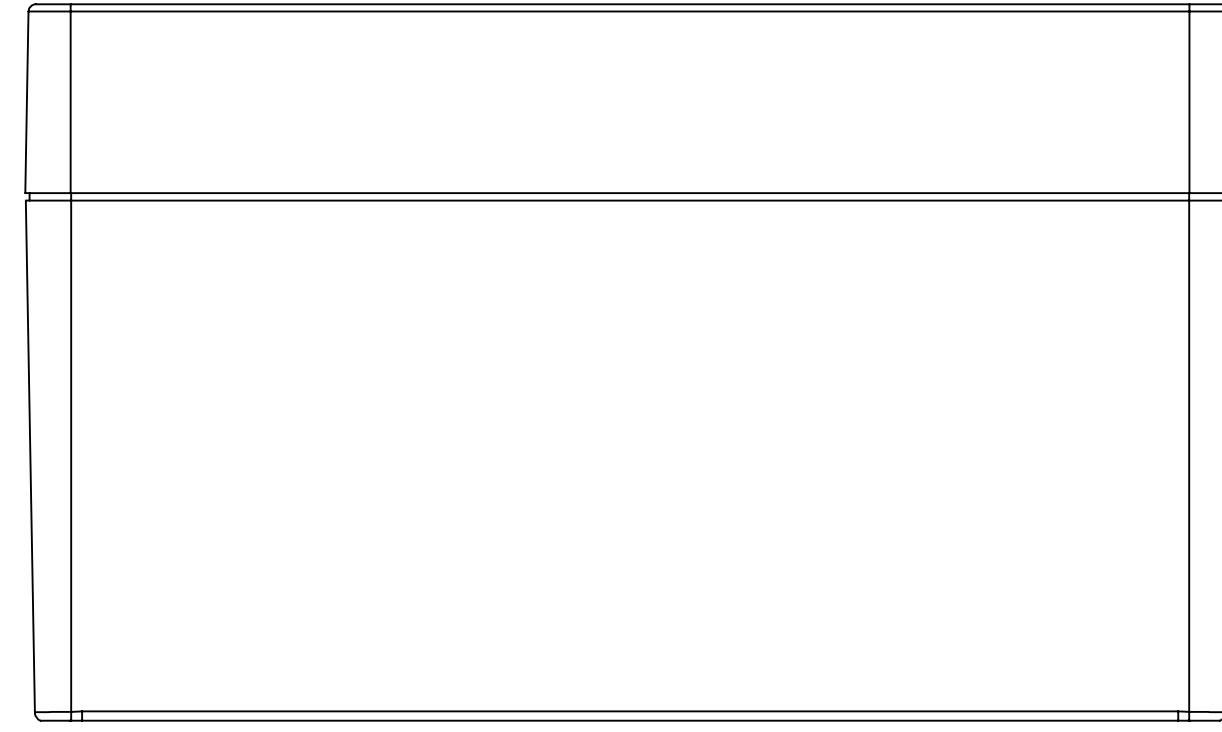
SURFACE-8



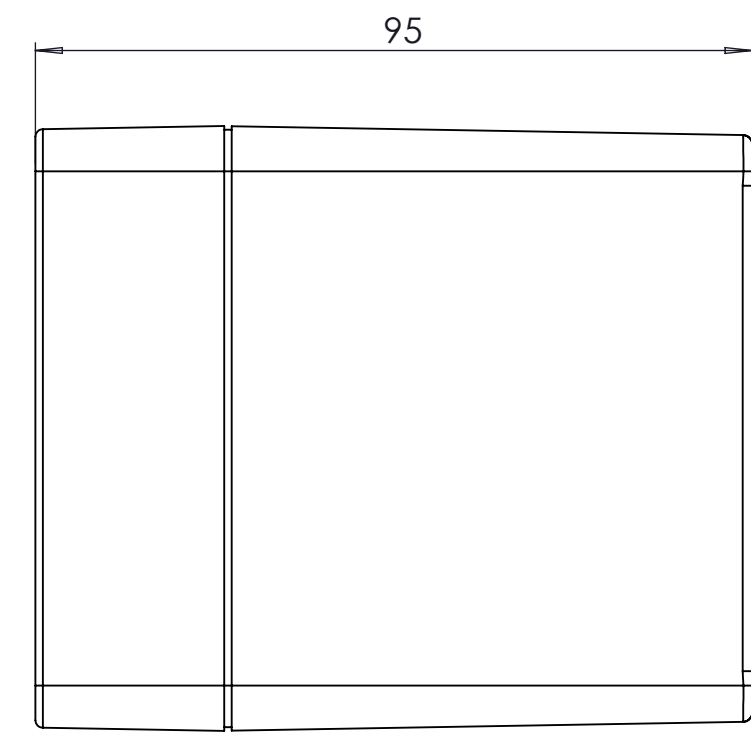
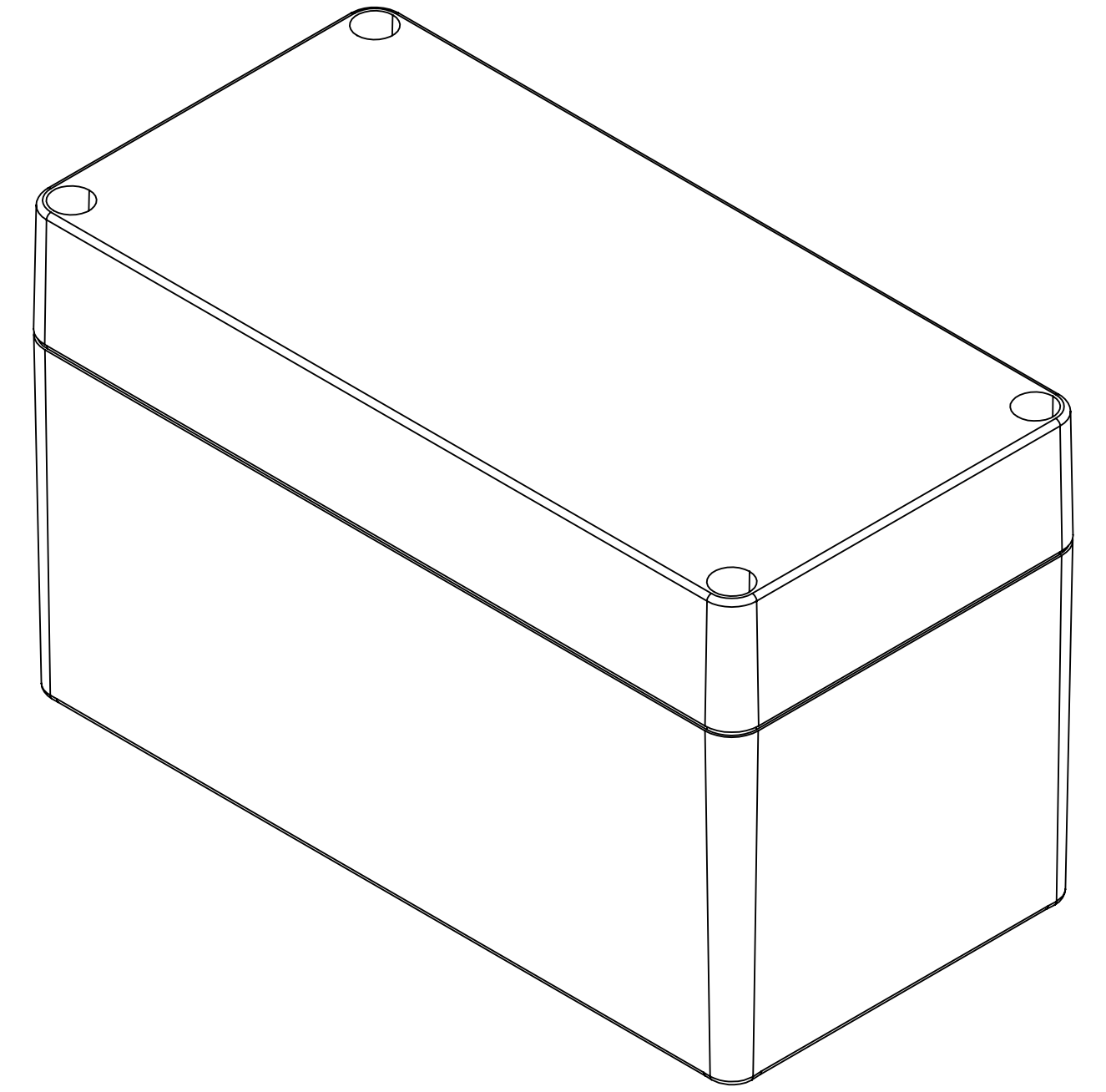
SURFACE-12 (INSIDE)

REV. NO.	DATE	REVISED BY	DESCRIPTION OF CHANGE
 ALTINKAYA Electronic Enclosures & Components			www.altinkaya.com
Customer Name:		Customer Ref.:	
Altinkaya Ref.:		Part Name: SE-229-0-0	
DRAWN	NAME	DATE	Drawn From:
CHECKED	Y. YESILOZ	7.06.2024	Material:
DIMENSIONAL TOLERANCES UNLESS OTHERWISE SPECIFIED:			SCALE 1:1 UNIT : mm
(R&T/148)	±0.1	±0.1	±0.2 ±0.3 ±0.5

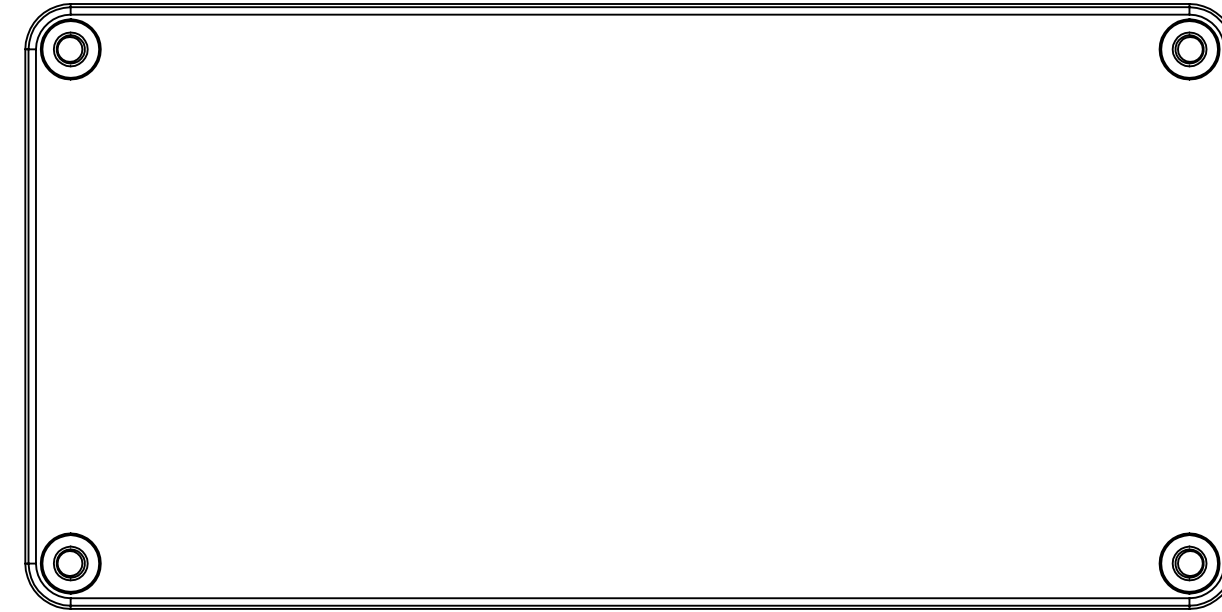
SE-229 IF MACHINED TOGETHER



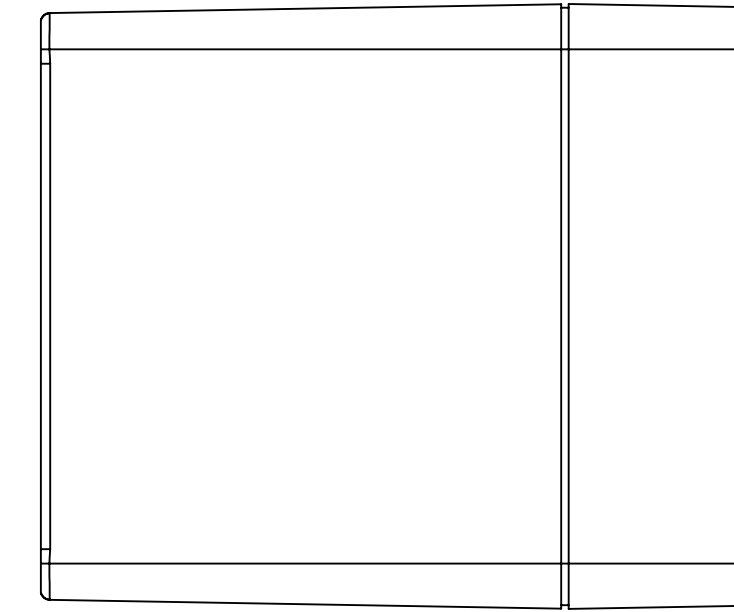
SURFACE-13



SURFACE-15



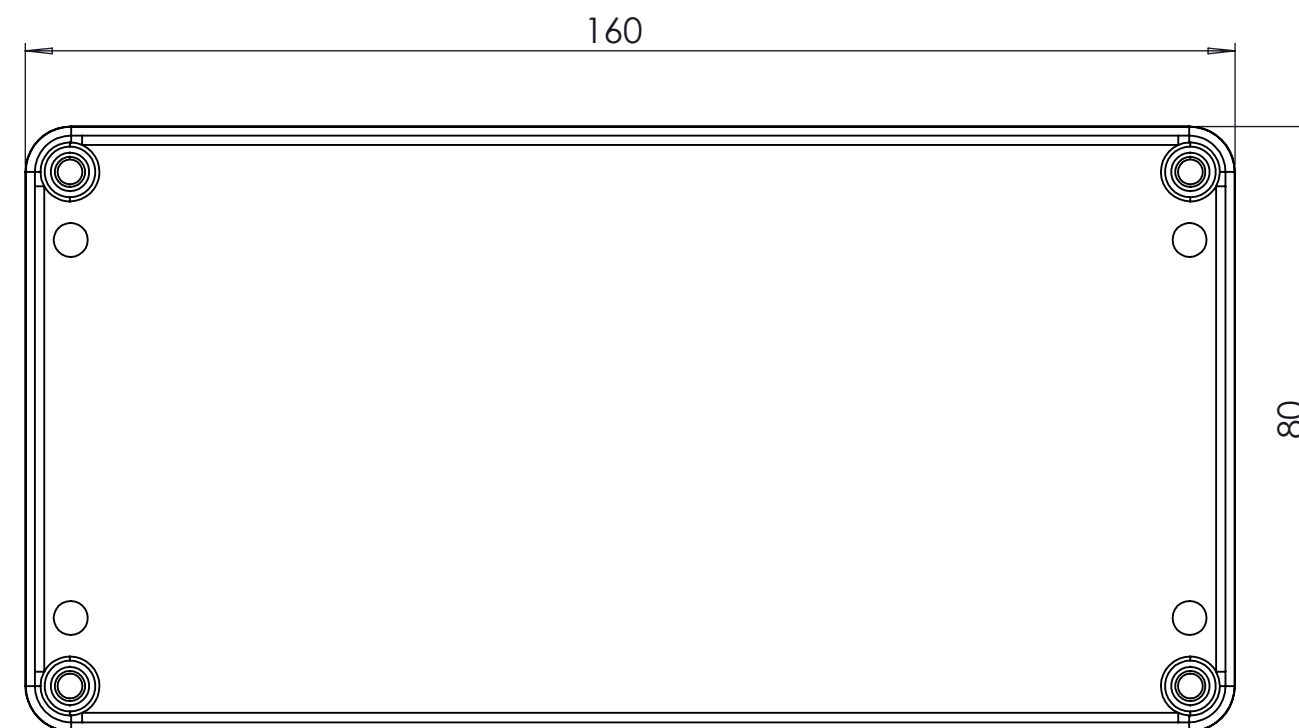
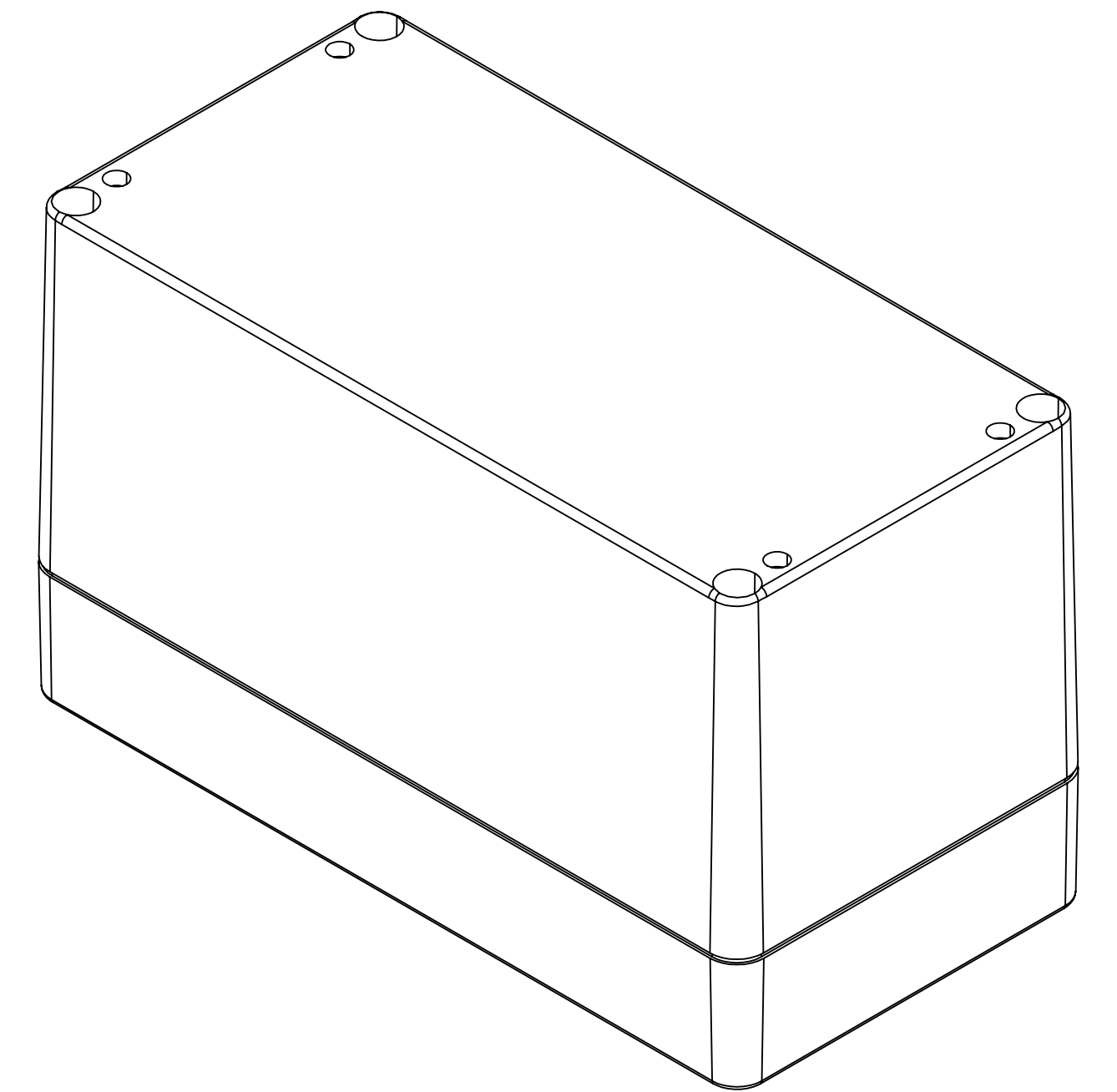
SURFACE-17



SURFACE-16



SURFACE-14



SURFACE-18

REV. NO.	DATE	REVISED BY	DESCRIPTION OF CHANGE
 ALTINKAYA Electronic Enclosures & Components www.altinkaya.com			
Customer Name:		Customer Ref.:	
Altinkaya Ref.:		Part Name: SE-229-0-0	
DRAWN	NAME	DATE	Drawn From:
CHECKED	Y. YEL	7.06.2024	Material:
DIMENSIONAL TOLERANCES UNLESS OTHERWISE SPECIFIED:			Weight:
(mm)	±0.1	±0.1	±0.2
(mm)	±0.3	±0.5	±0.5
SCALE: 1:1			UNIT: mm
Dimension (mm)			Dimension (mm)
m (medium)			m (medium)
SHEET 2 OF 2			A1