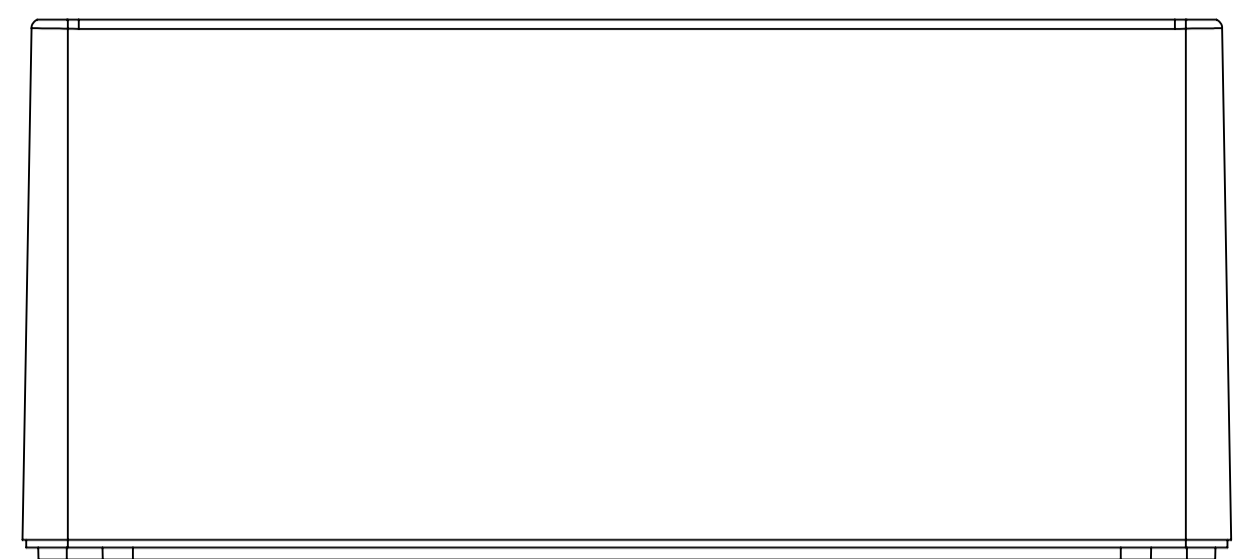
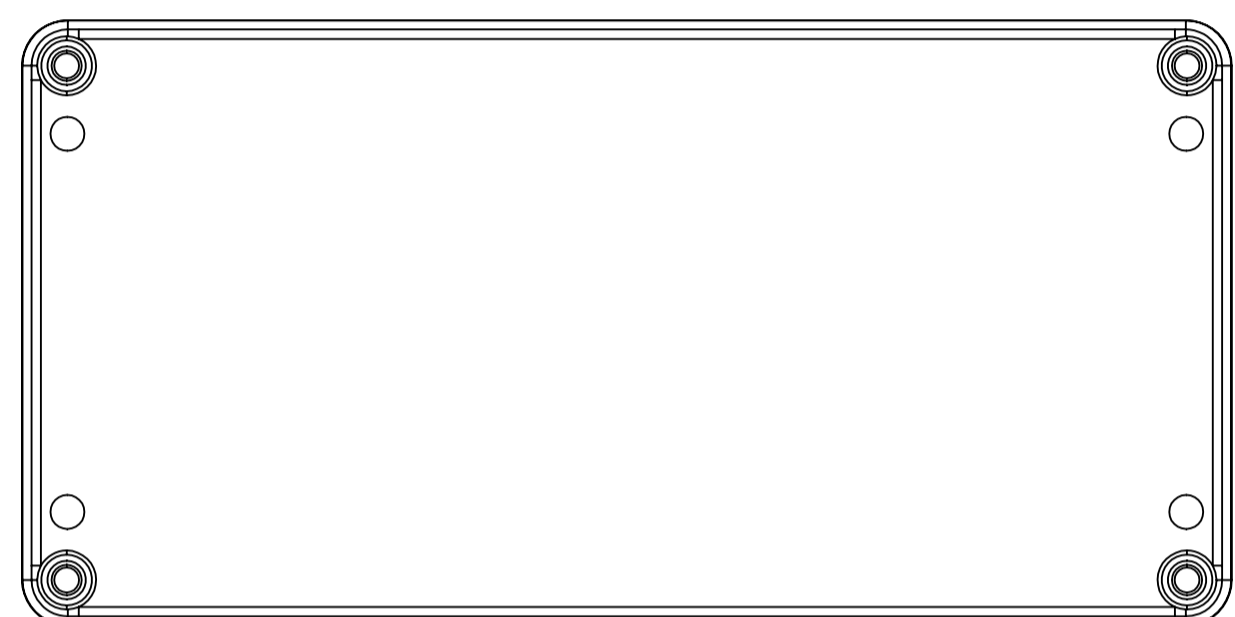


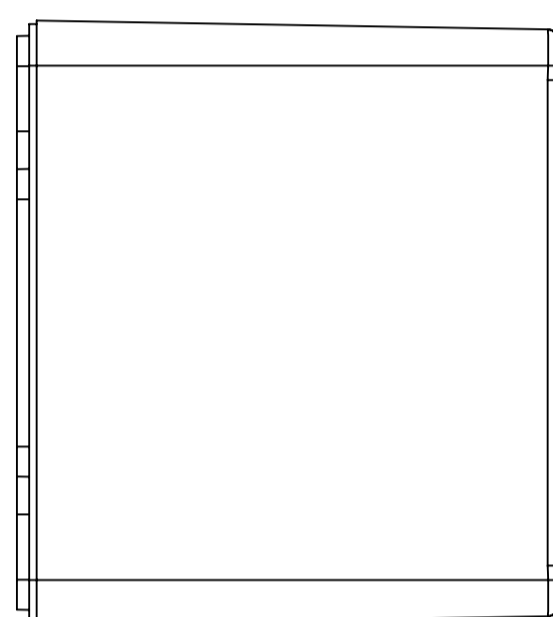
BASE: 6 SURFACE



SURFACE-1



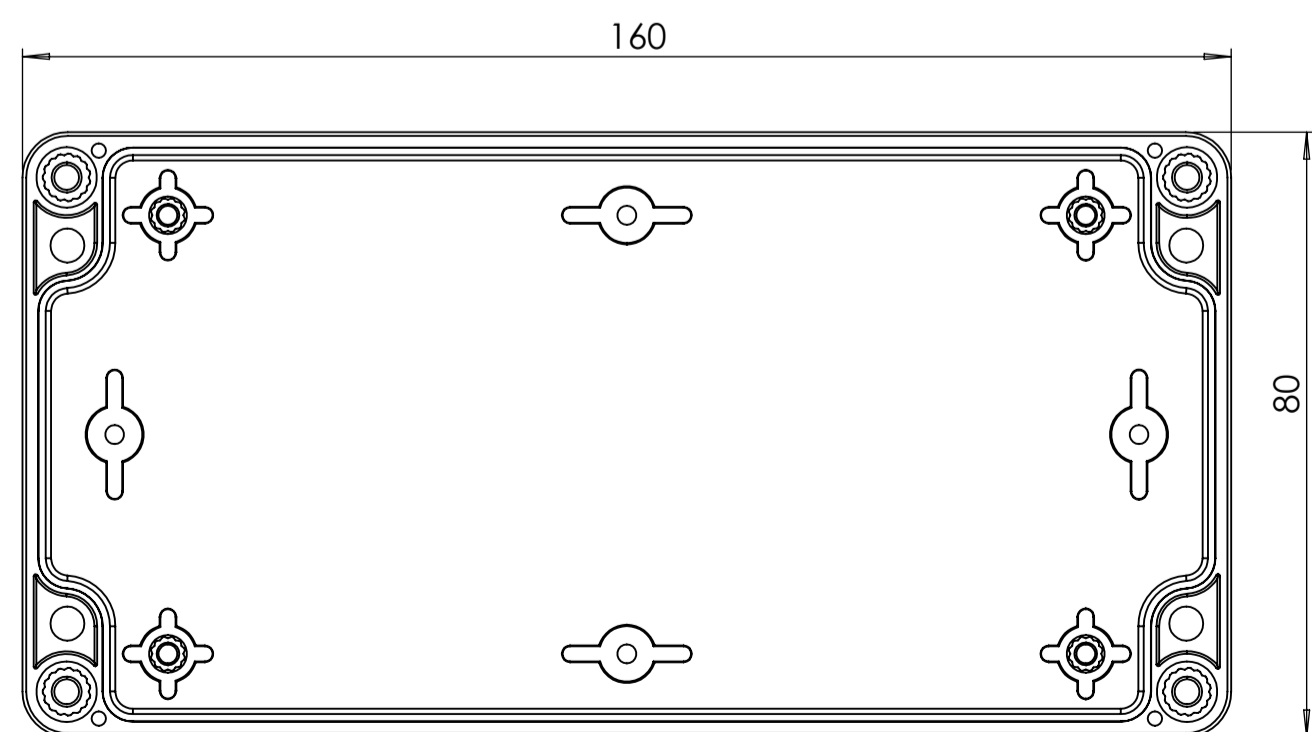
SURFACE-5



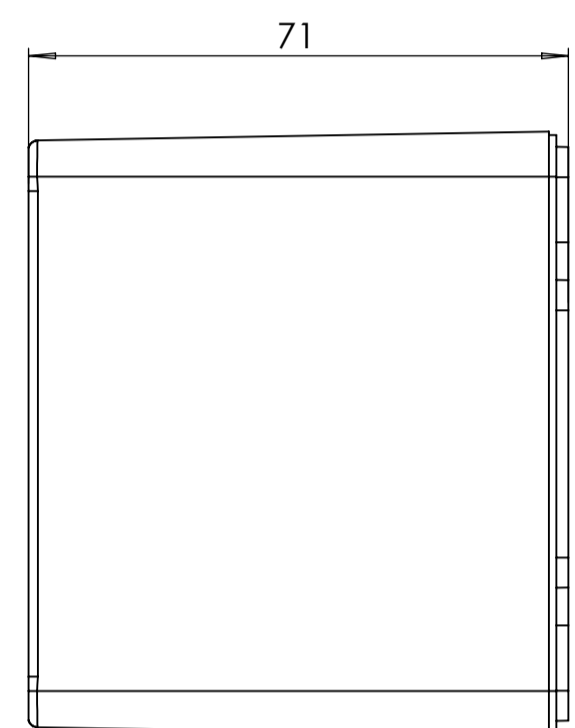
SURFACE-4



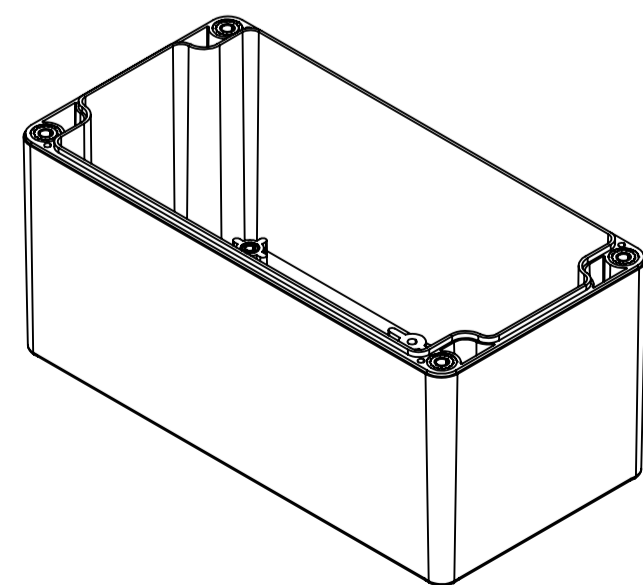
SURFACE-2



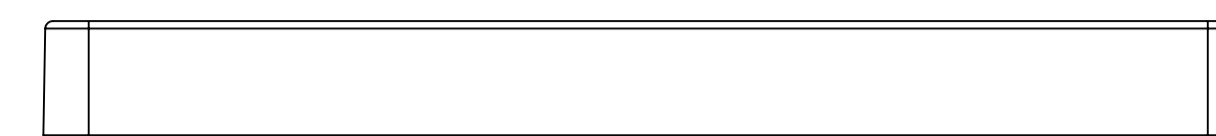
SURFACE-6 (INSIDE)



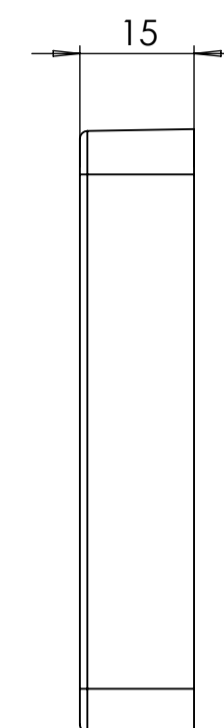
SURFACE-3



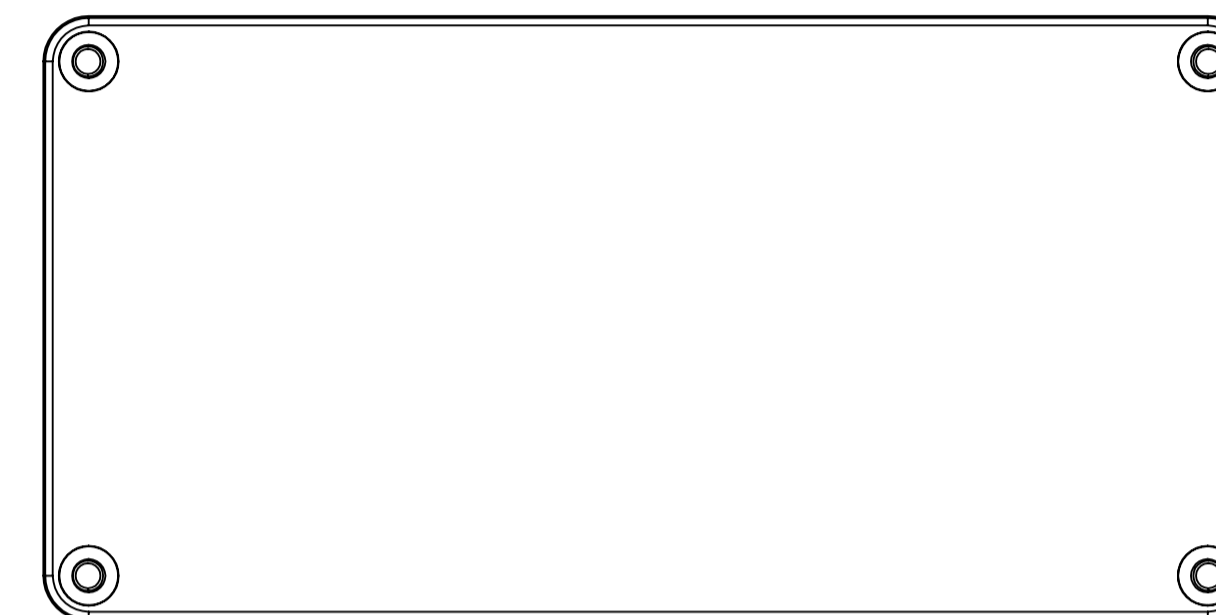
COVER: 6 SURFACE



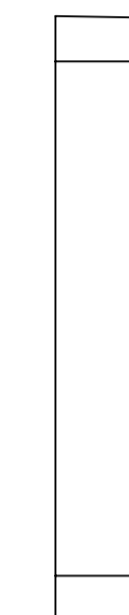
SURFACE-7



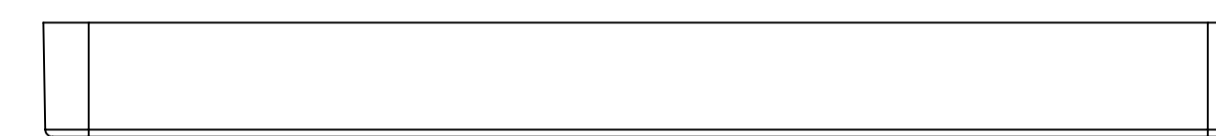
SURFACE-9



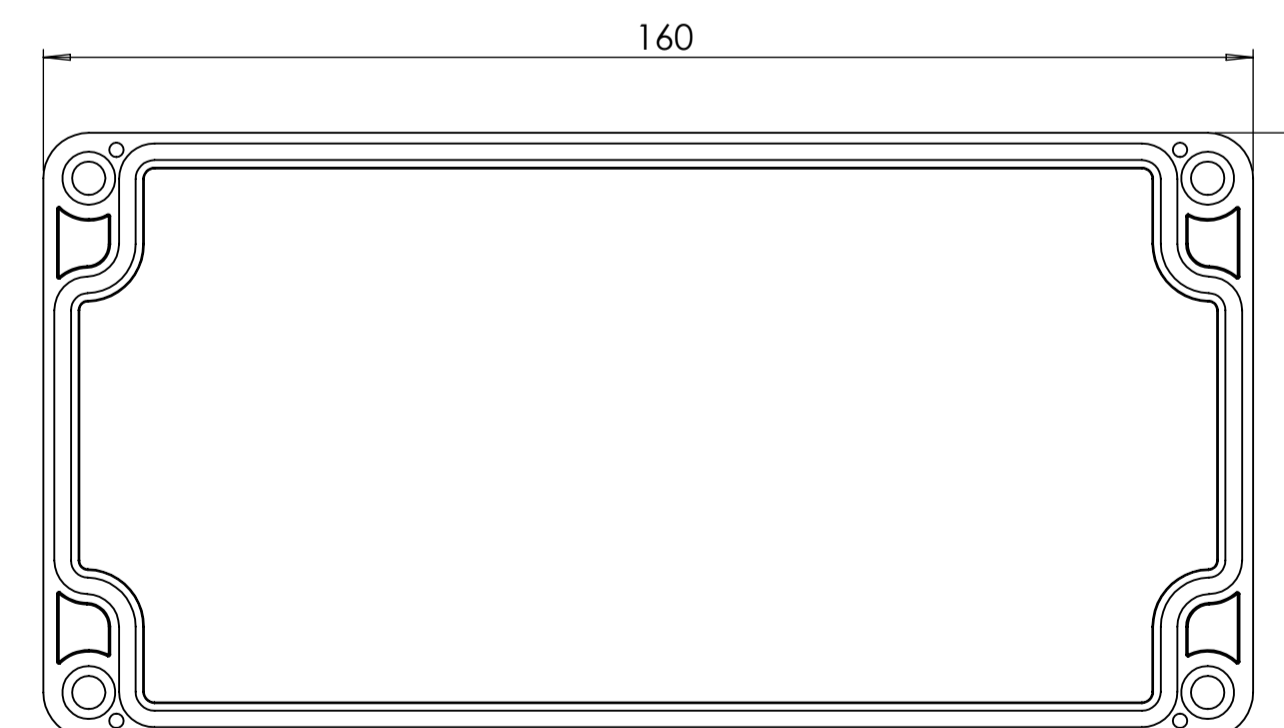
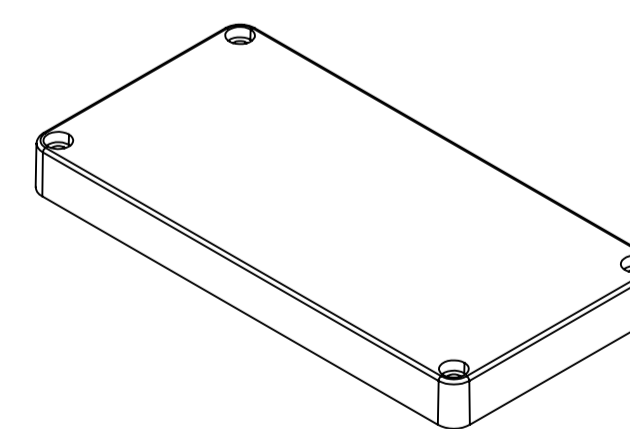
SURFACE-11



SURFACE-10



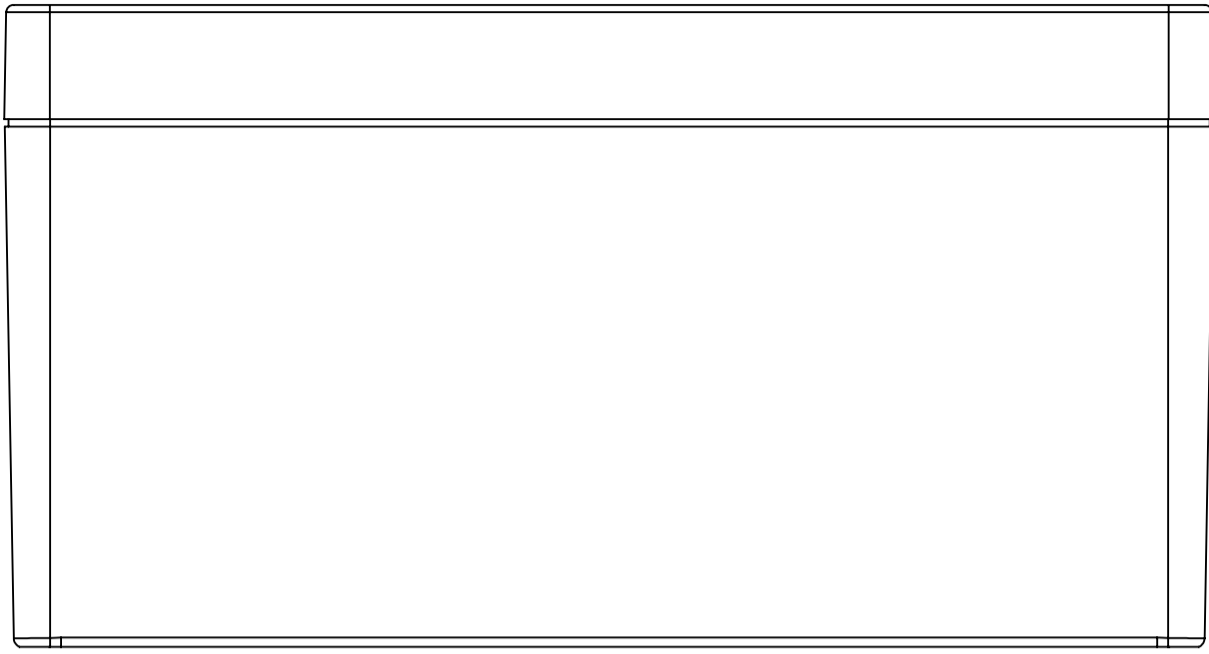
SURFACE-8



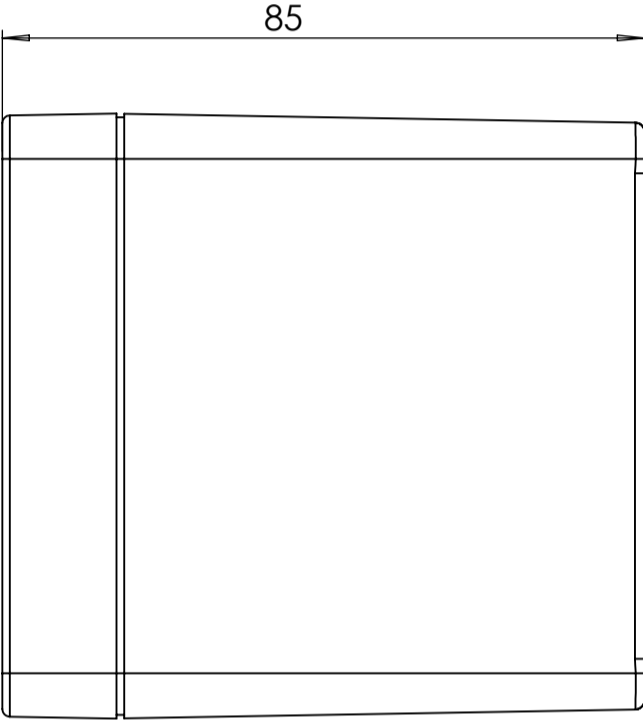
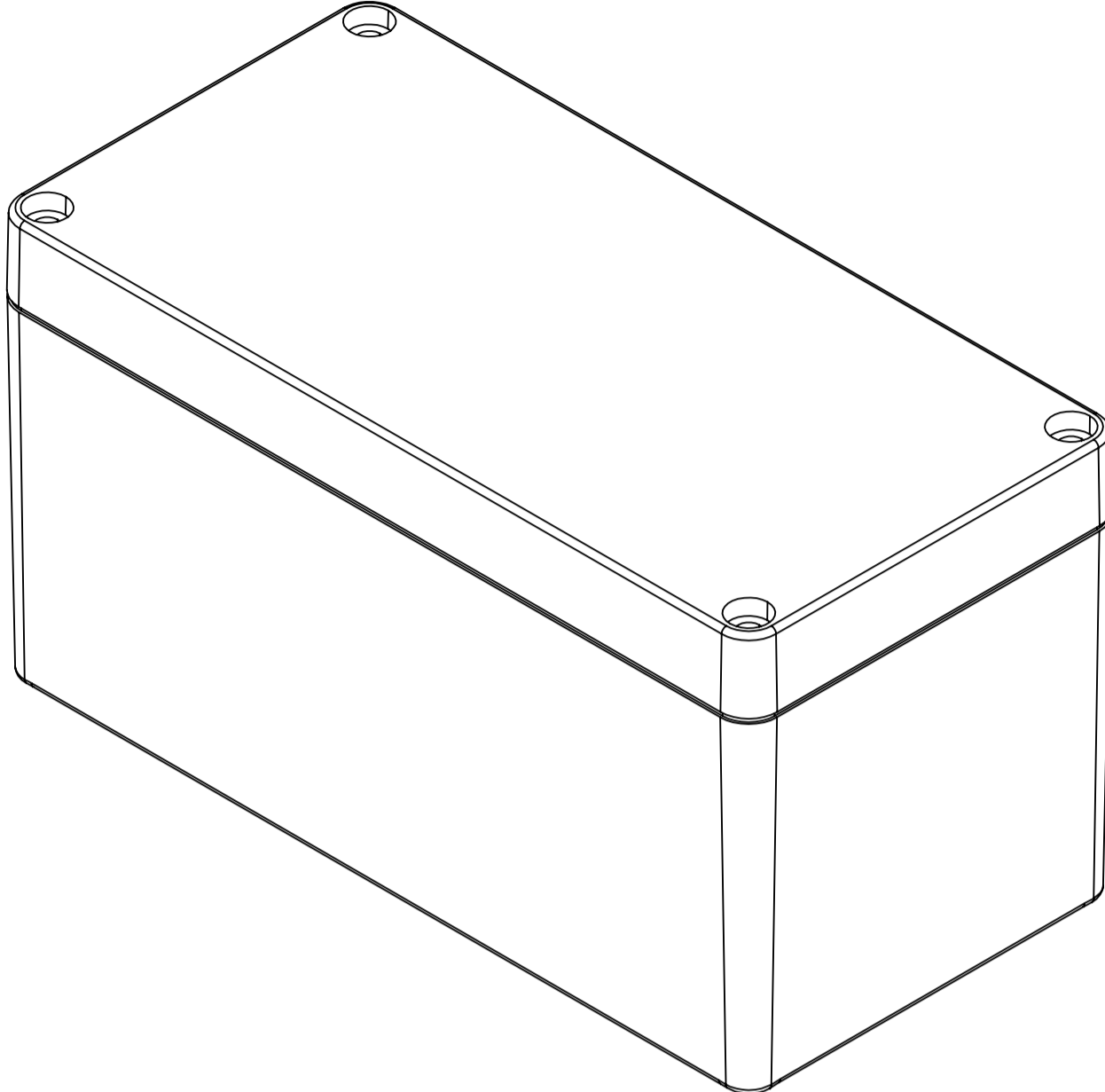
SURFACE-12 (INSIDE)

REV. NO.	DATE	REVISED BY	DESCRIPTION OF CHANGE
			www.altinkaya.com
Customer Name:		Customer Ref.:	
Altinkaya Ref.:		Part Name: SE-228-0-0	
DRAWN	NAME	DATE	Drawn From:
CHECKED	Y. YEL	7.06.2024	Material:
DIMENSIONAL TOLERANCES UNLESS OTHERWISE SPECIFIED:			SCALE 1:1 UNIT : mm
	±0.1	±0.1	±0.2
	±0.1	±0.1	±0.3
	±0.1	±0.1	±0.5
			Dimension(mm)
			m(medium)
			Weight: 30-120mm 120-400mm
			±0.3 ±0.5
			1 SHEET 1 OF 2

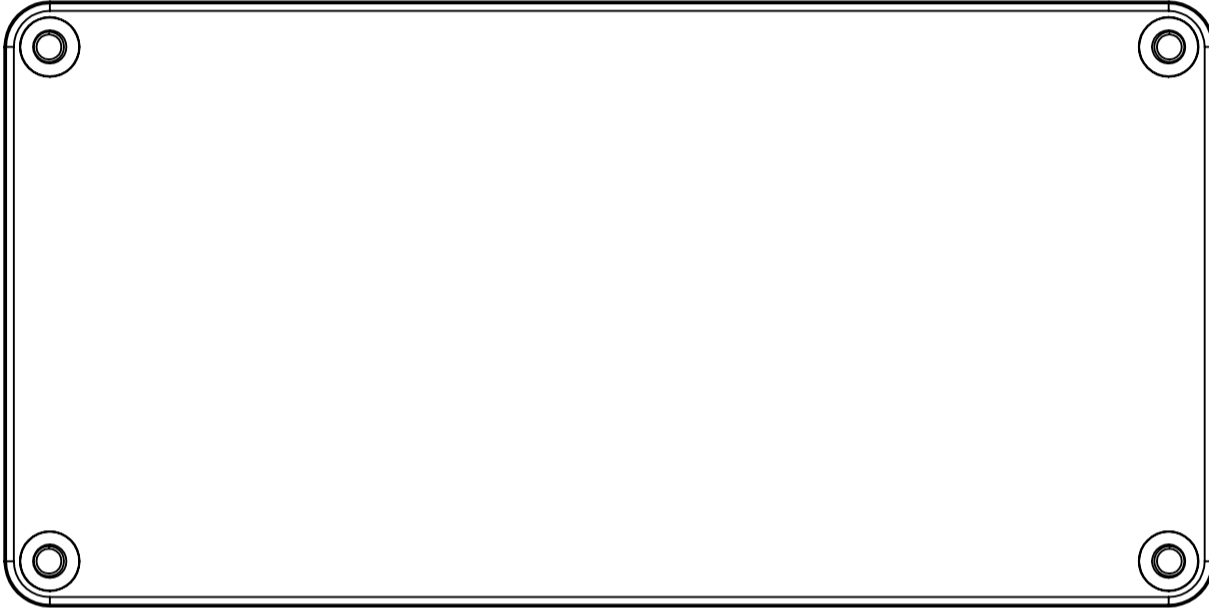
SE-202 IF MACHINED TOGETHER



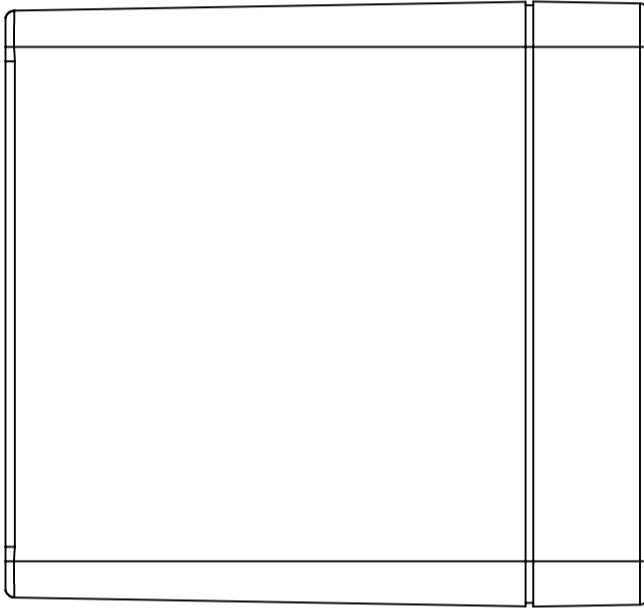
SURFACE-13



SURFACE-15



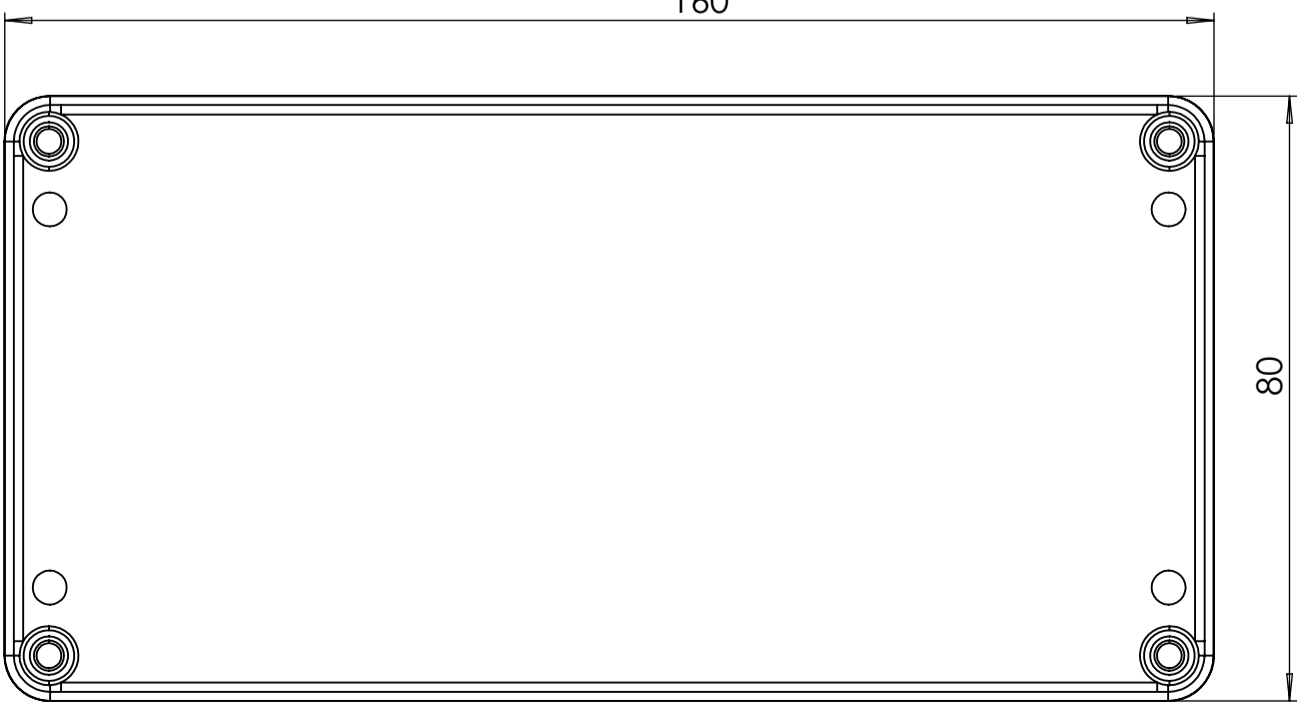
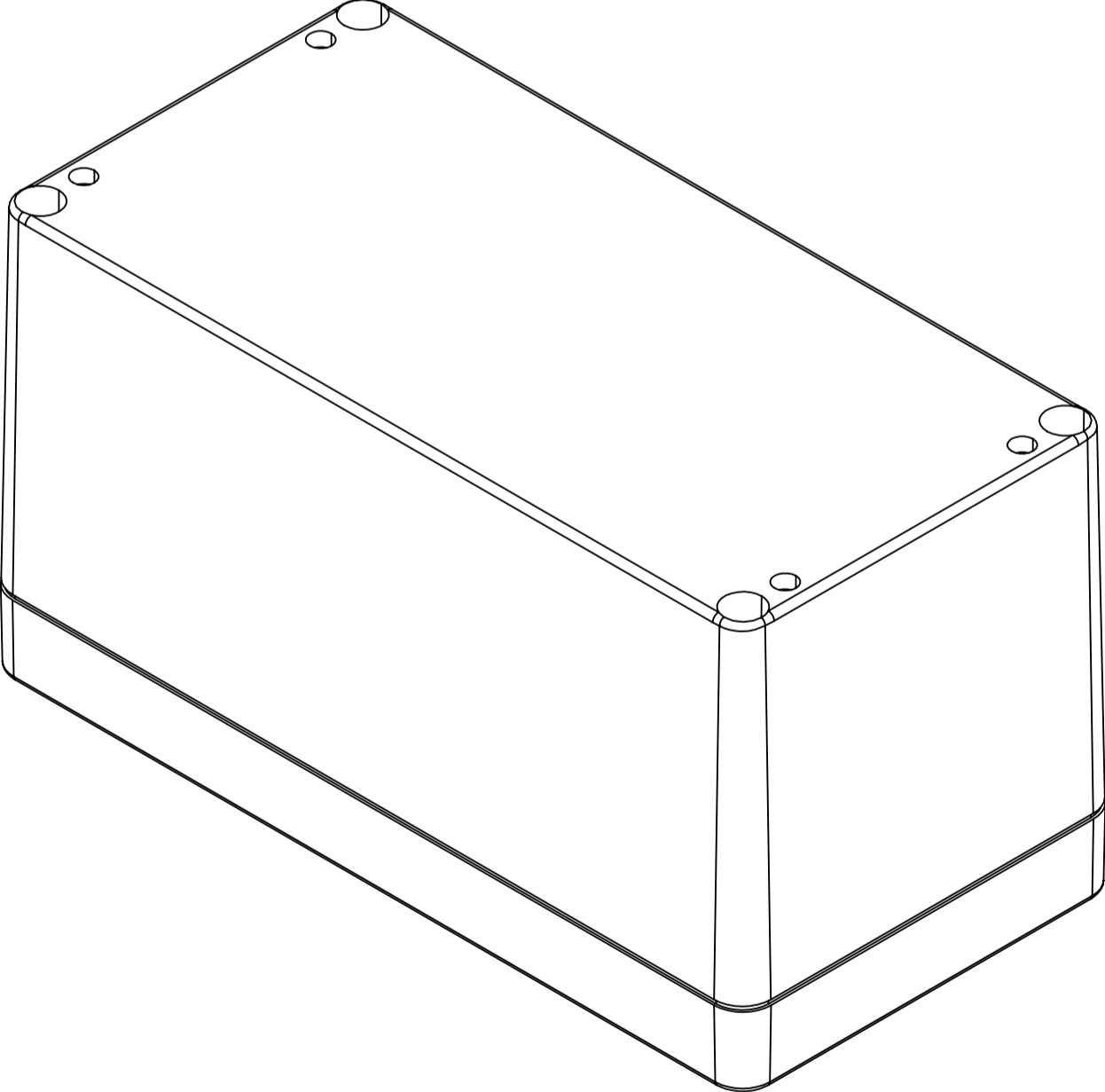
SURFACE-17



SURFACE-16



SURFACE-14



SURFACE-18

REV. NO.	DATE	REVISED BY	DESCRIPTION OF CHANGE
Customer Name:		Customer Ref.:	
Altinkaya Ref.:		Part Name: SE-228-0-0	
DRAWN	NAME	DATE	Drawn From:
CHECKED	Y. YEL	7.06.2024	Material:
DIMENSIONAL TOLERANCES UNLESS OTHERWISE SPECIFIED:			Weight:
(DIN7148)	±0.1	±0.1	±0.2
	±0.1	±0.2	±0.3
		±0.5	
SCALE 1:1			UNIT : mm
Dimension(mm)			Dimension(mm)
m(medium)			m(medium)
SHEET 2 OF 2			