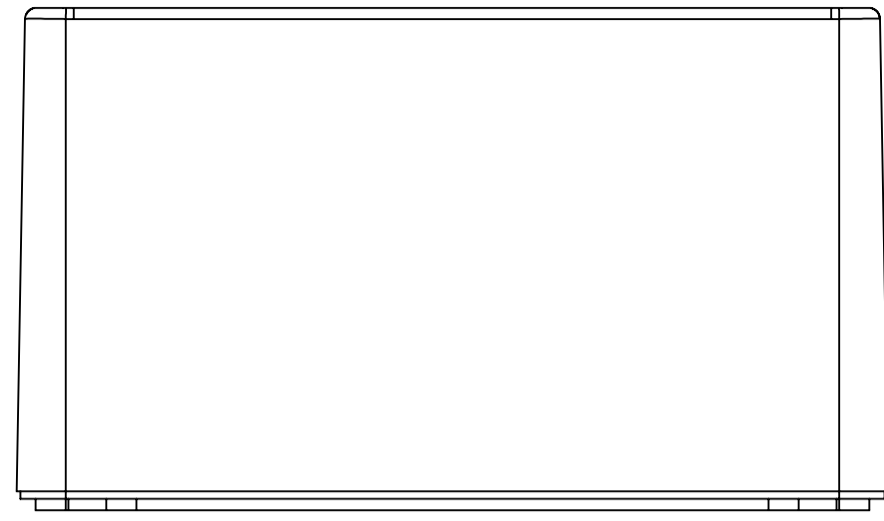
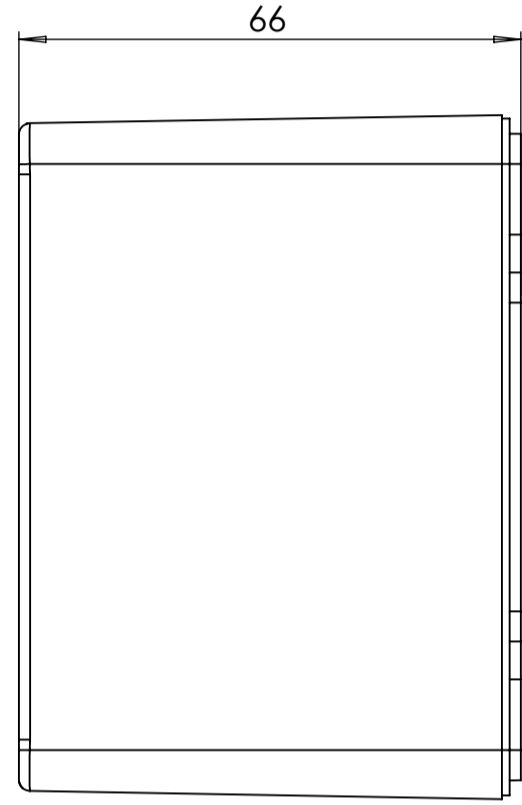


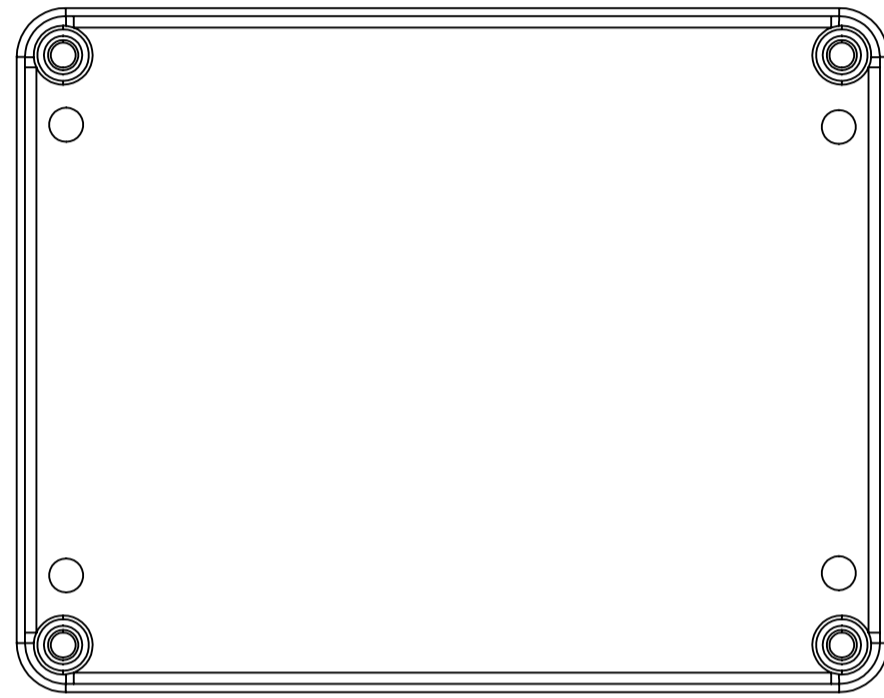
**BASE: 6 SURFACE**



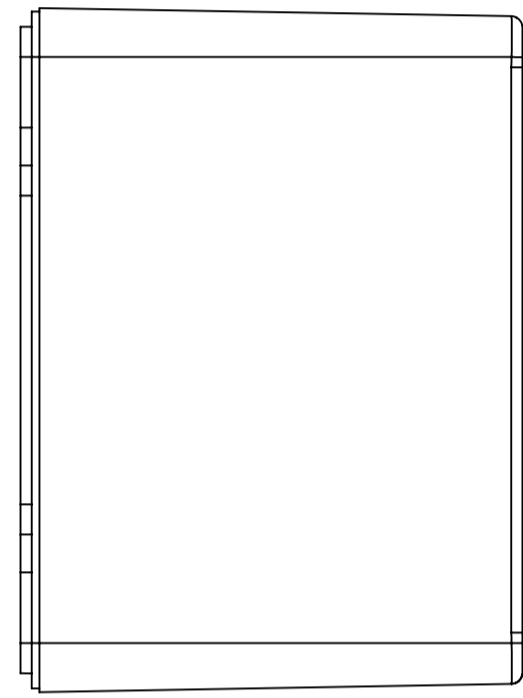
SURFACE-1



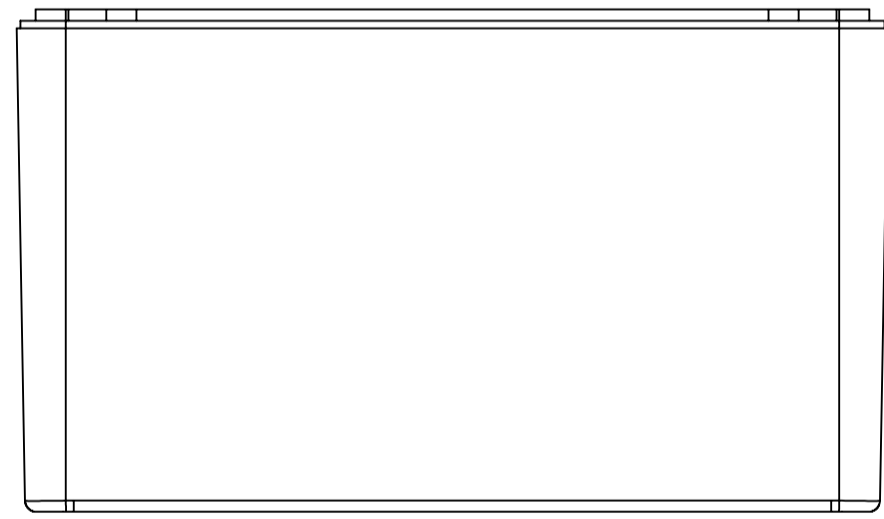
SURFACE-3



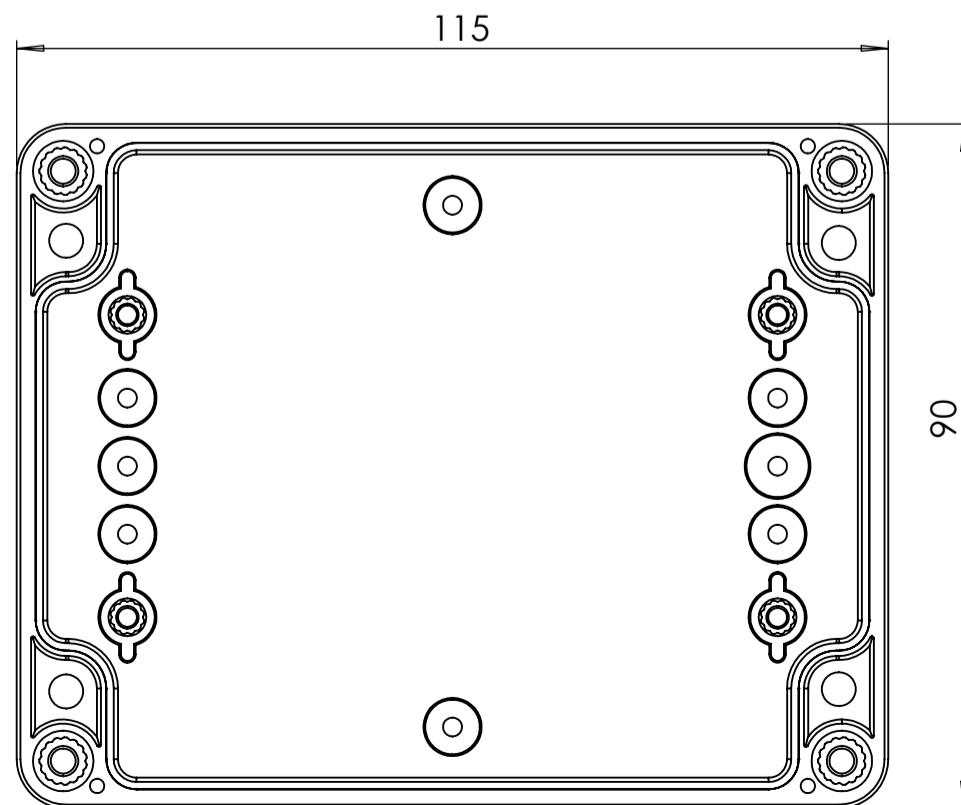
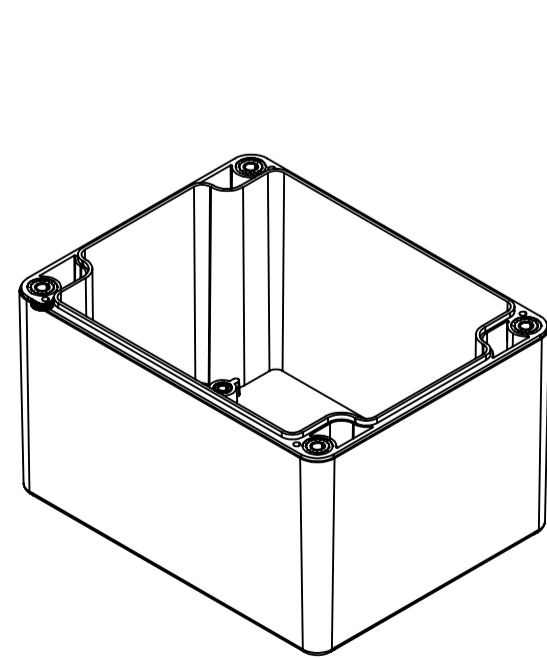
SURFACE-5



SURFACE-4

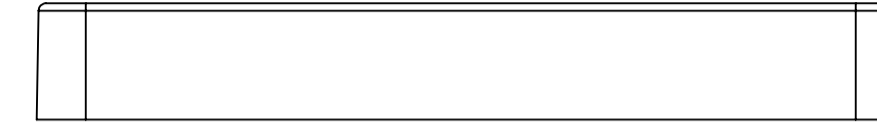


SURFACE-2

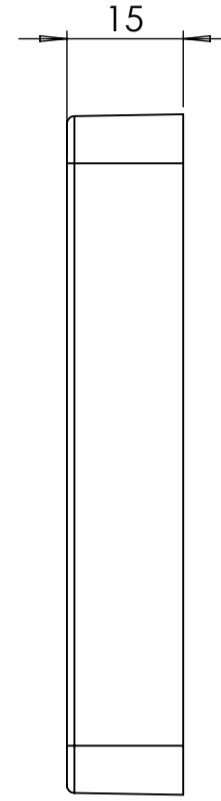


SURFACE-6 (INSIDE)

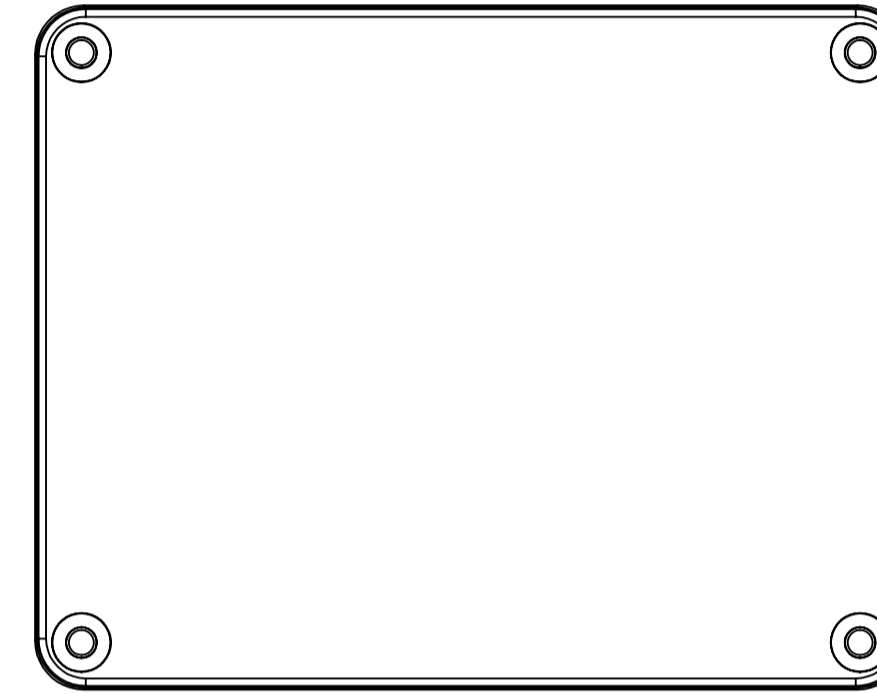
**COVER: 6 SURFACE**



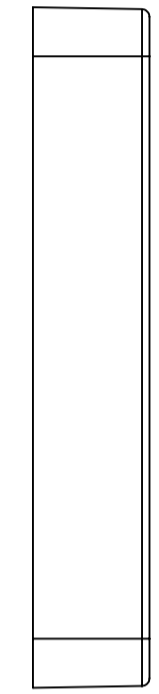
SURFACE-7



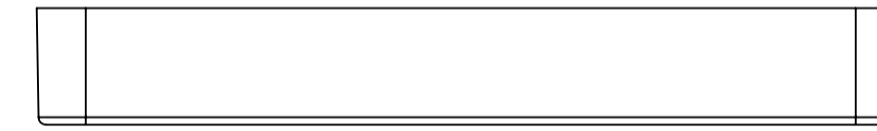
SURFACE-9



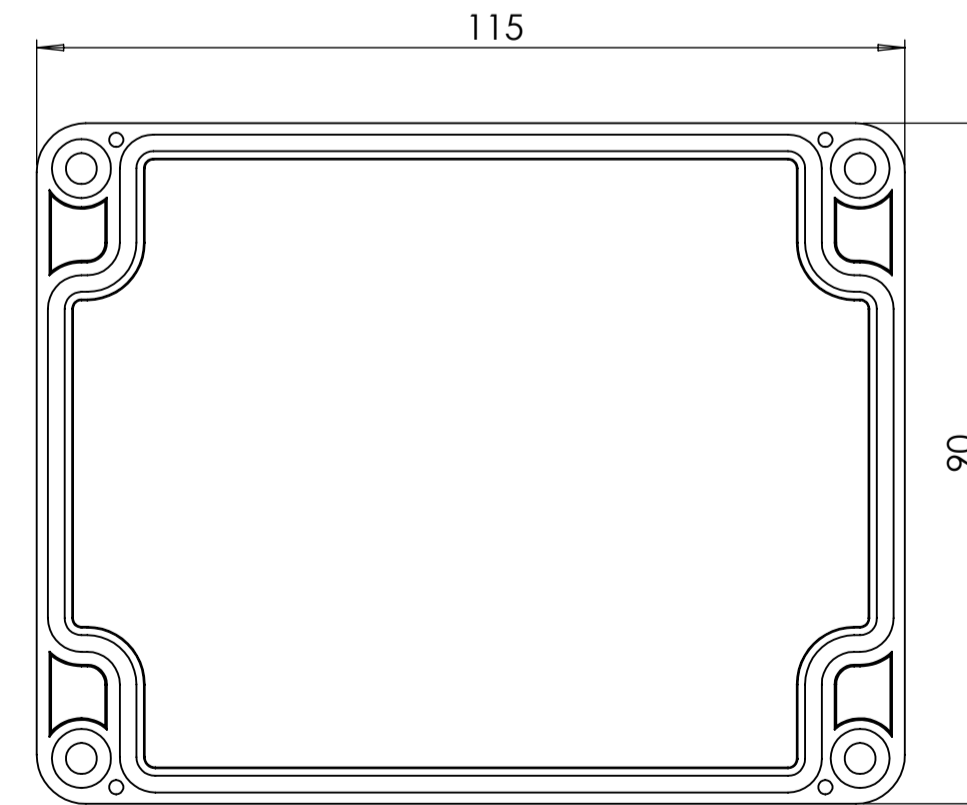
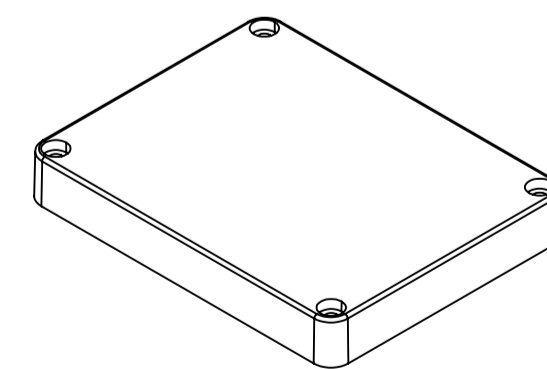
SURFACE-11




SURFACE-10



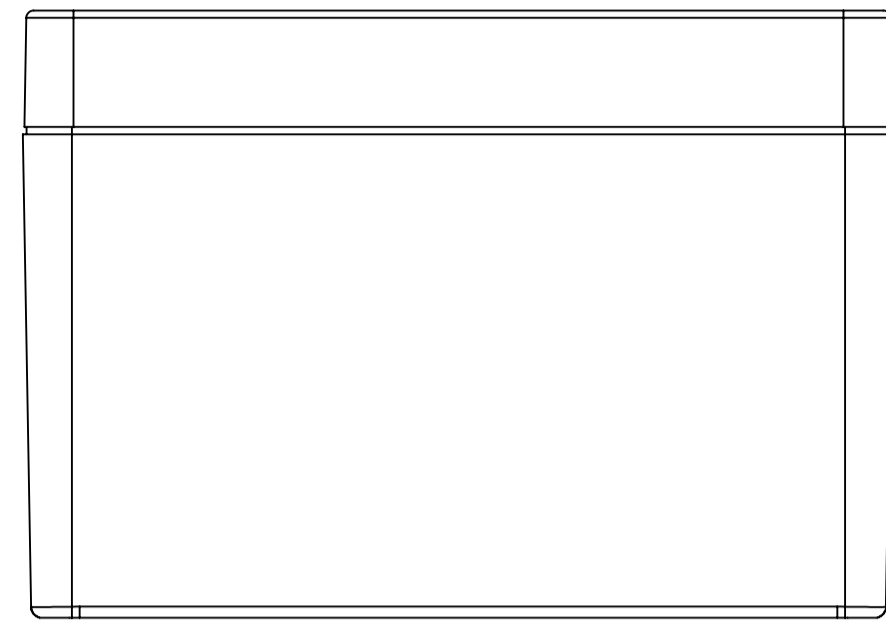
SURFACE-8



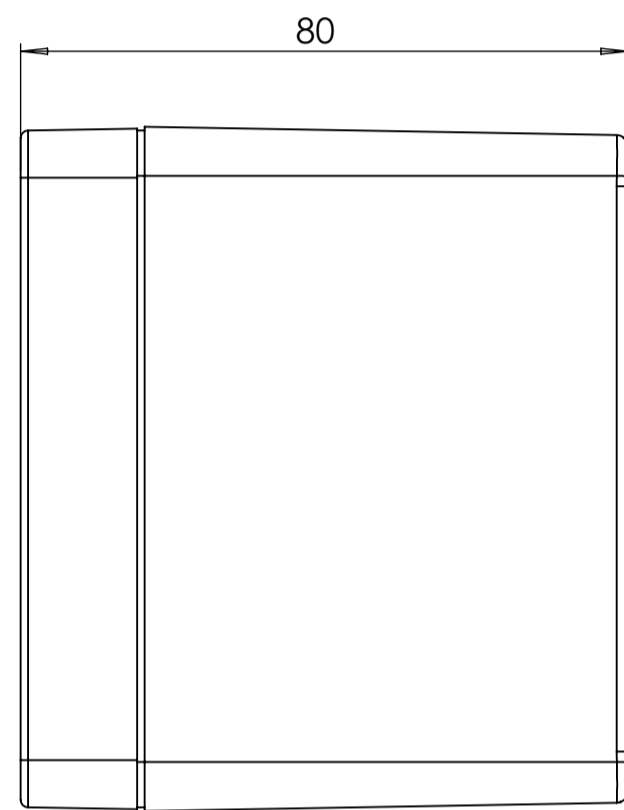
SURFACE-12 (INSIDE)

REV. NO.	DATE	REVISED BY	DESCRIPTION OF CHANGE
 <b>ALTINKAYA</b> Electronic Enclosures & Components <a href="http://www.altinkaya.com">www.altinkaya.com</a>			
Customer Name:		Customer Ref.:	
Altinkaya Ref.:		Part Name: SE-224-0-0	
DRAWN	NAME	DATE	Drawn From:
CHECKED	Y. YESLOZ	7.06.2024	Material:
DIMENSIONAL TOLERANCES UNLESS OTHERWISE SPECIFIED:		Weight:	SCALE 1:1 UNIT : mm
[DIN7148]	±0.1	±0.1	±0.2
	±0.3	±0.5	±0.5
			Dimension(mm)
			30-120mm
			120-400mm
			m(medium)
1			A1
SHEET 1 OF 2			

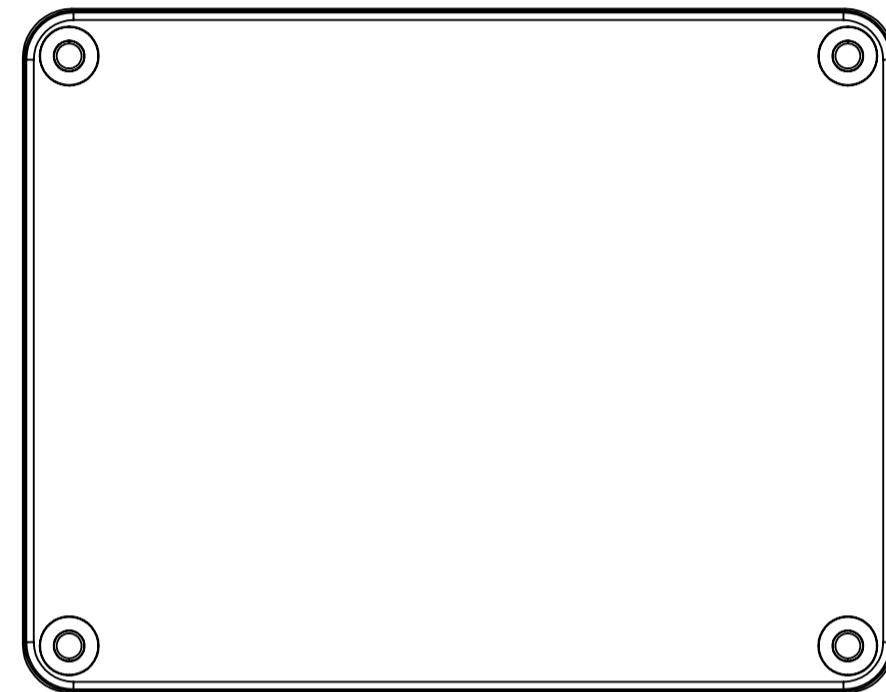
**SE-224 IF MACHINED TOGETHER**



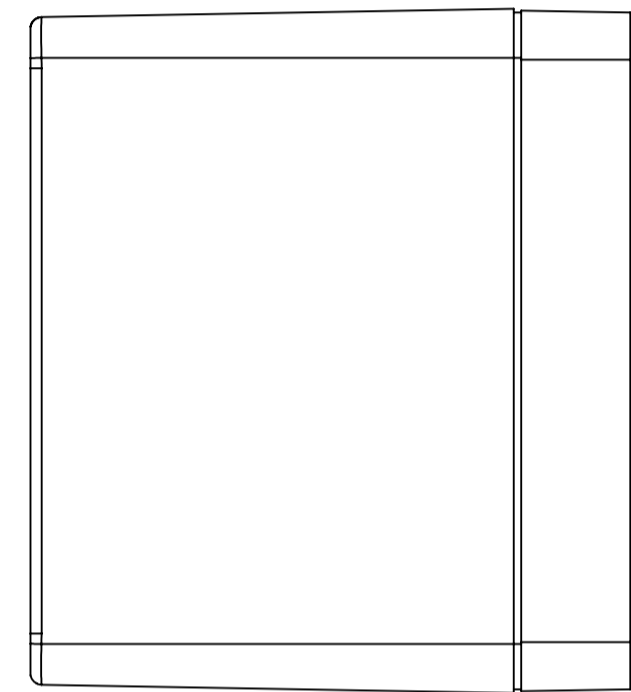
SURFACE-13



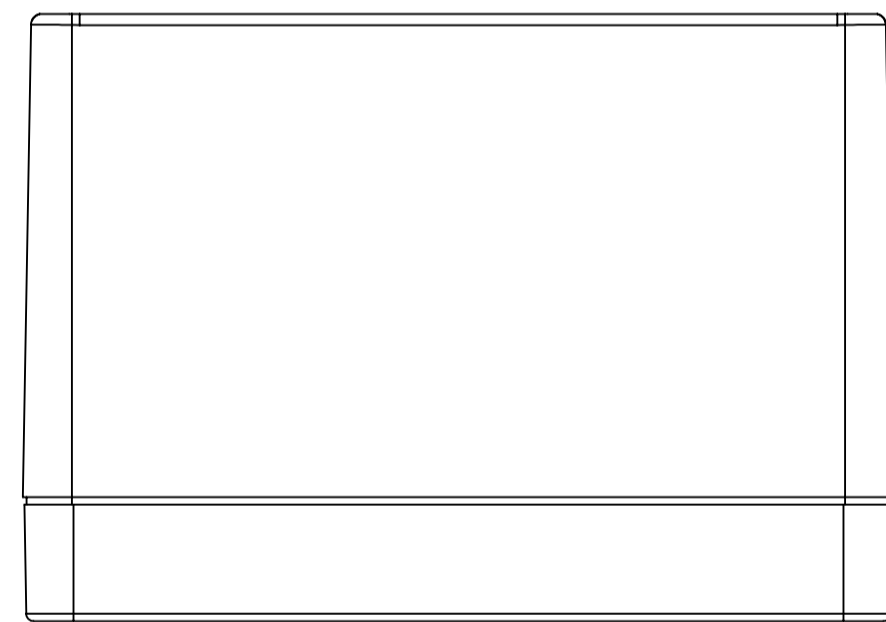
SURFACE-15



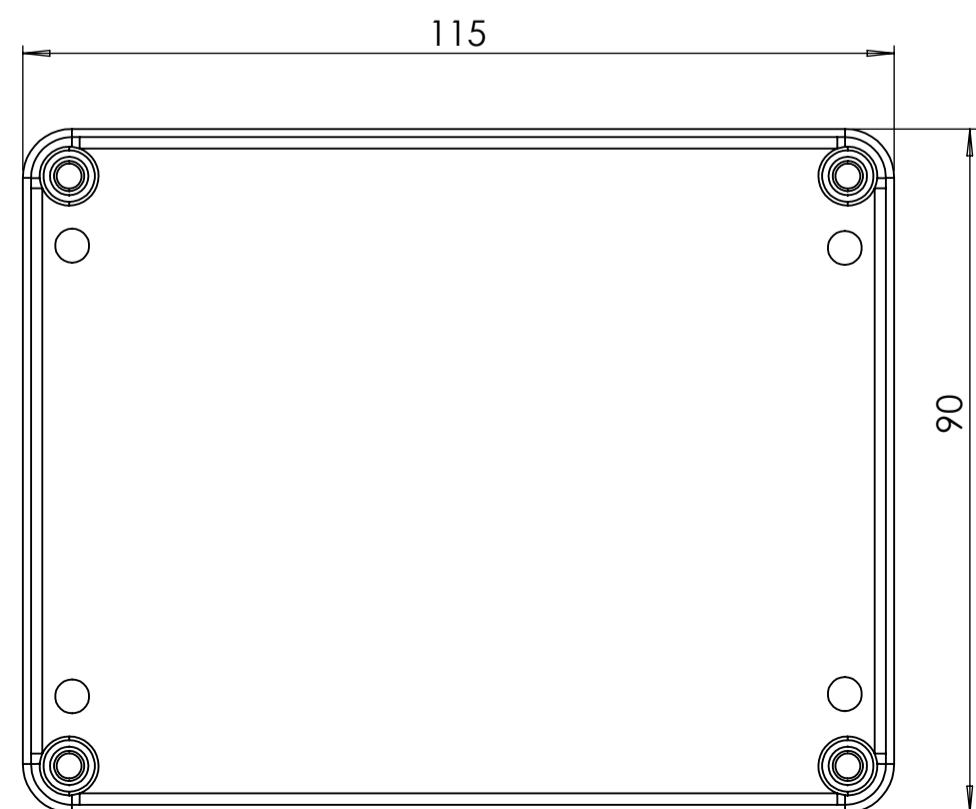
SURFACE-17



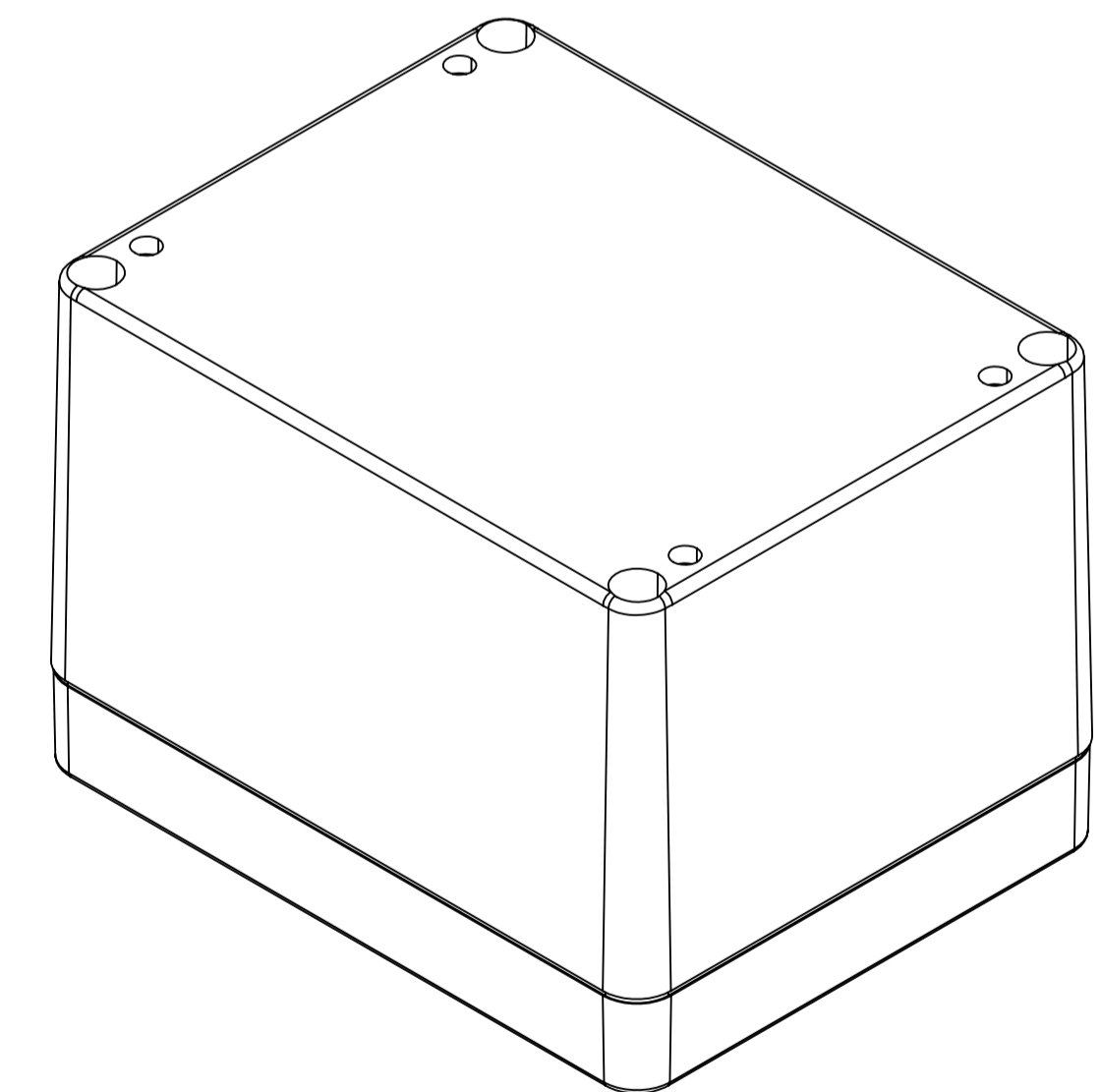
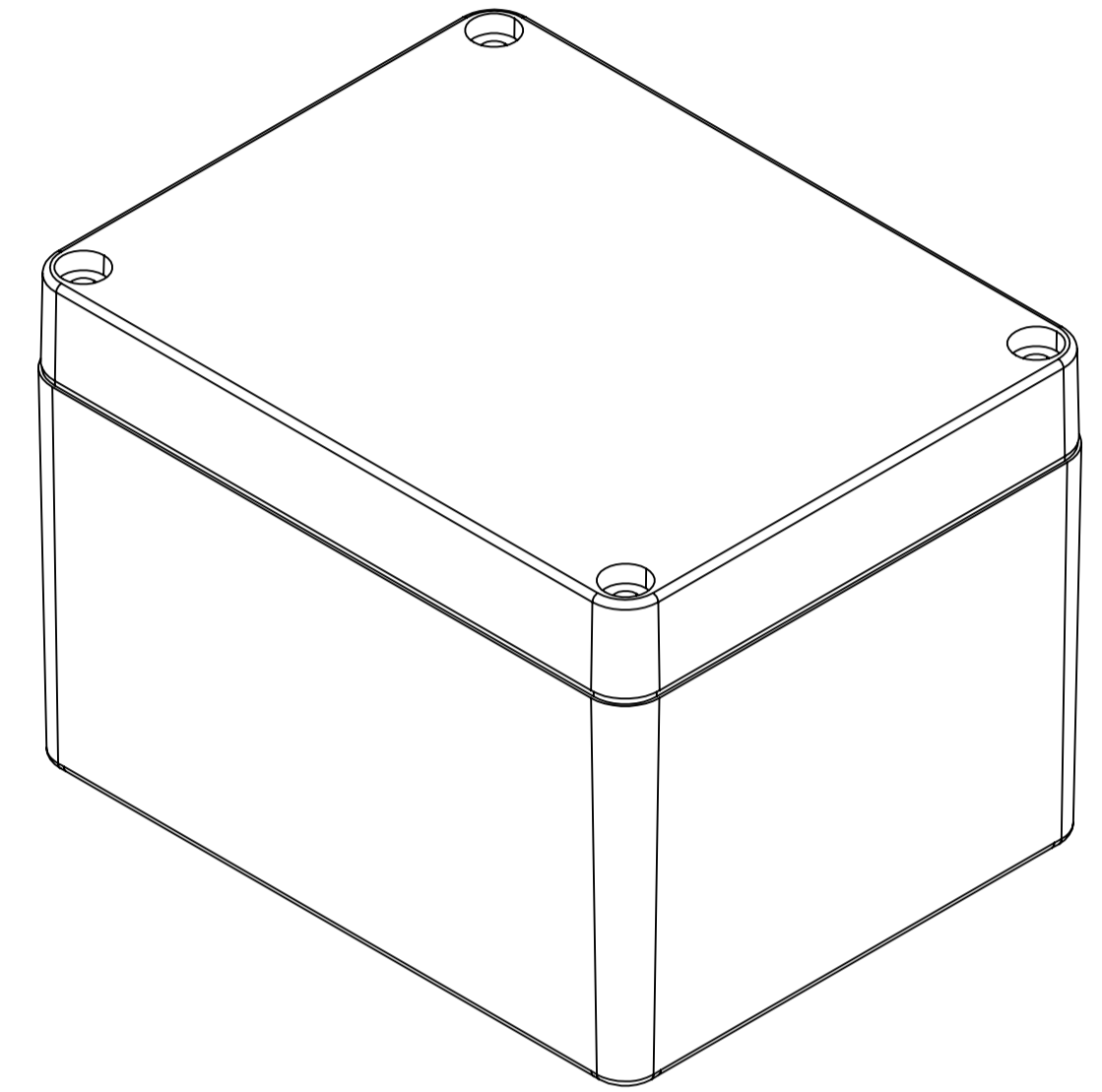
SURFACE-16




SURFACE-14



SURFACE-18



REV. NO.	DATE	REVISED BY	DESCRIPTION OF CHANGE
 <b>ALTINKAYA</b> Electronic Enclosures & Components			<a href="http://www.altinkaya.com">www.altinkaya.com</a>
Customer Name:		Customer Ref.:	
Altinkaya Ref.:		Part Name: SE-224-0-0	
DRAWN	NAME	DATE	Drawn From:
CHECKED	Y. YESLOZ	7.06.2024	Material:
TOLERANCES: DIMENSIONS SPECIFIED:			Weight:
±0.1	±0.1	±0.2	±0.3
±0.1	±0.1	±0.2	±0.3
DIMENSIONAL TOLERANCES: UNLESS OTHERWISE SPECIFIED:			UNIT : mm
0.5-3mm	3-6mm	6-30mm	30-120mm
120-400mm	Dimension(mm)		
			±0.5
			m(medium)