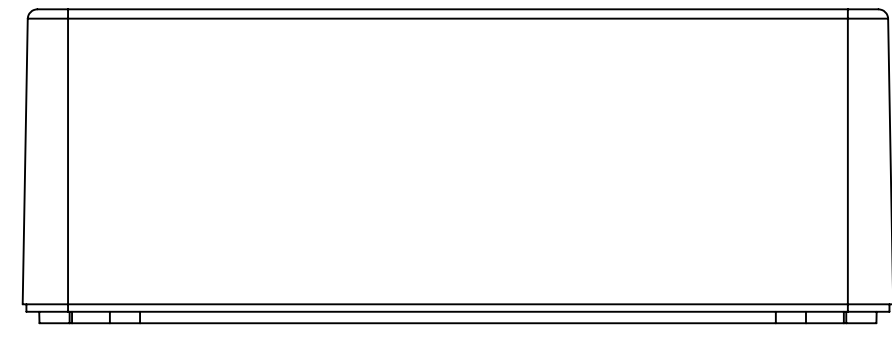
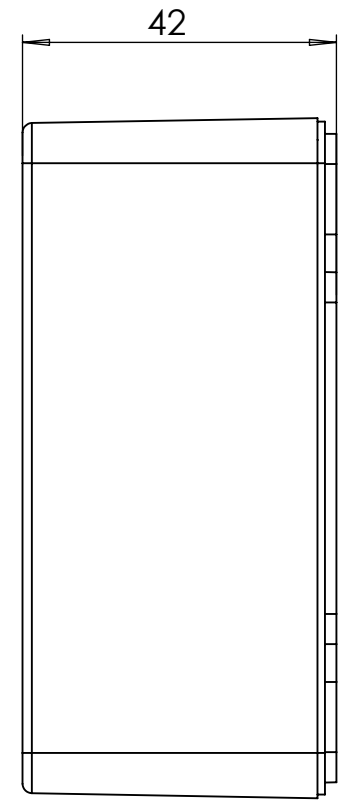


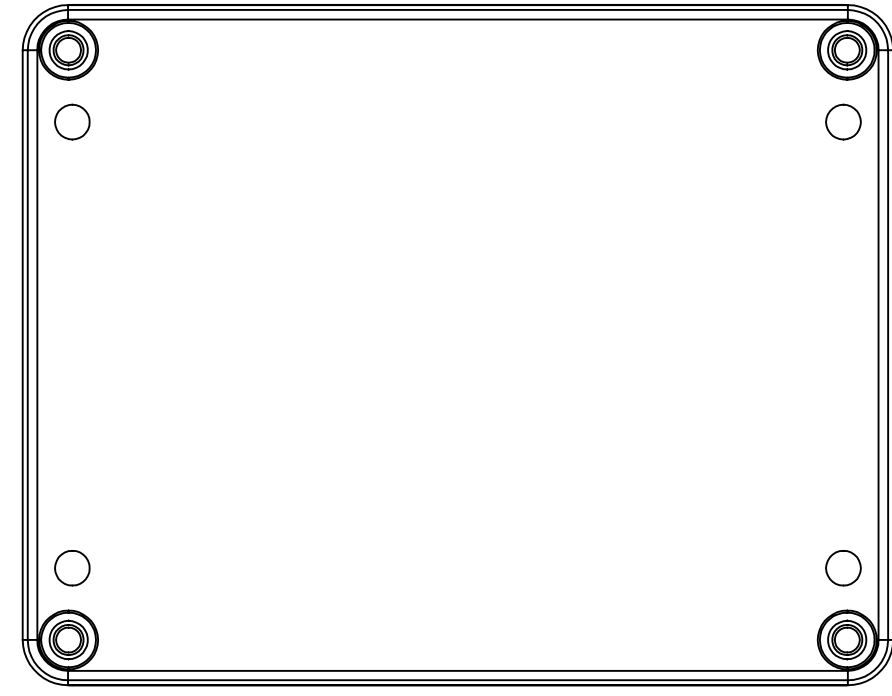
**BASE: 6 SURFACE**



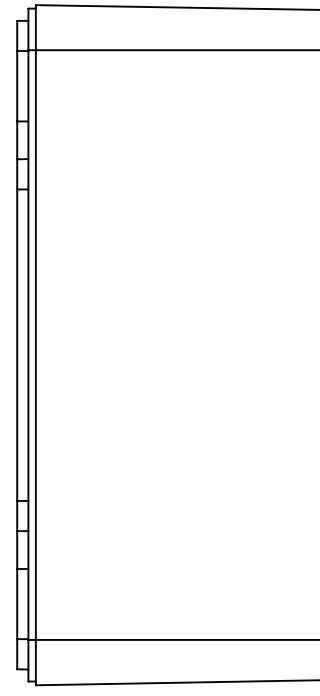
SURFACE-1



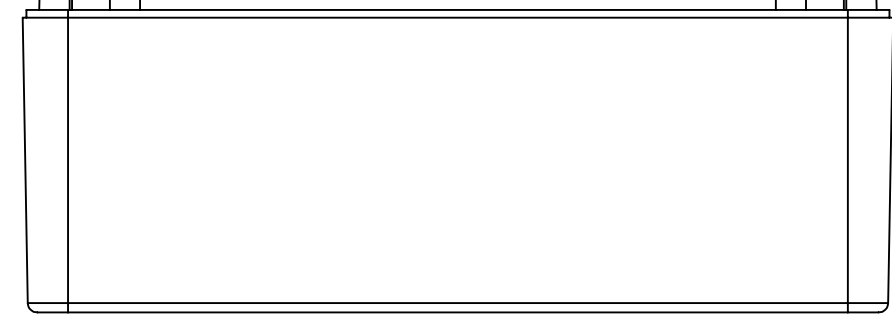
SURFACE-3



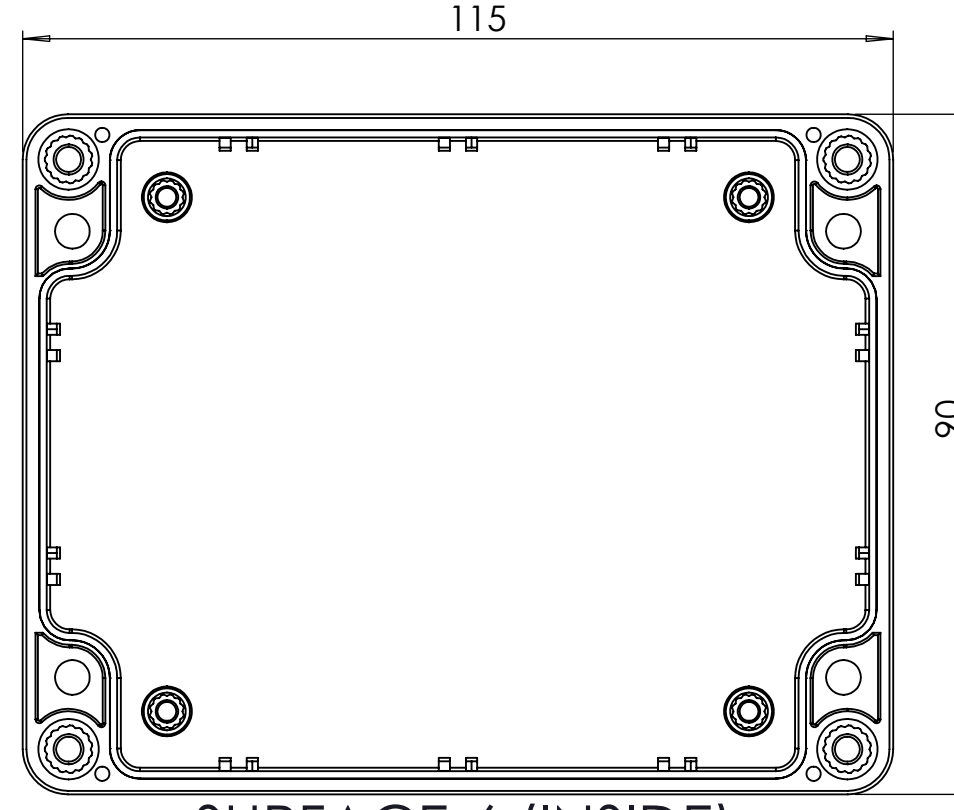
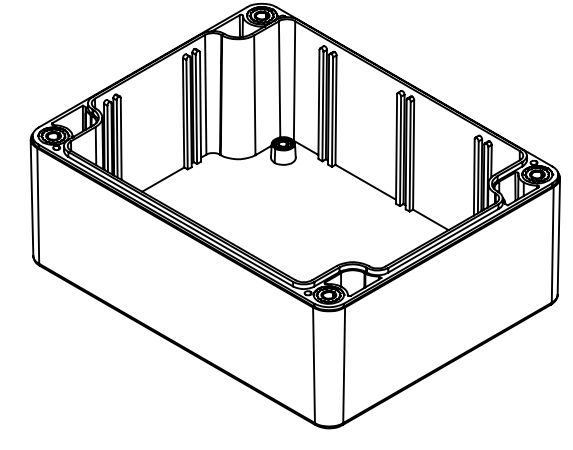
SURFACE-5



SURFACE-4

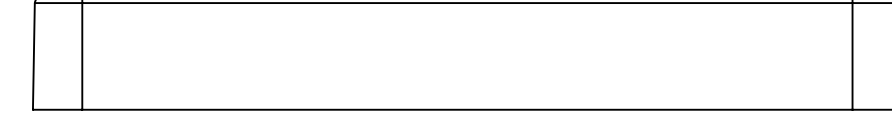


SURFACE-2

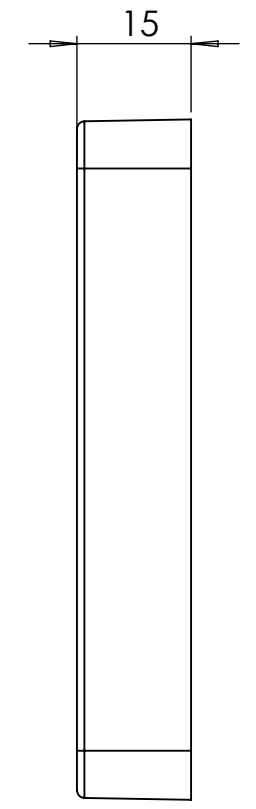


SURFACE-6 (INSIDE)

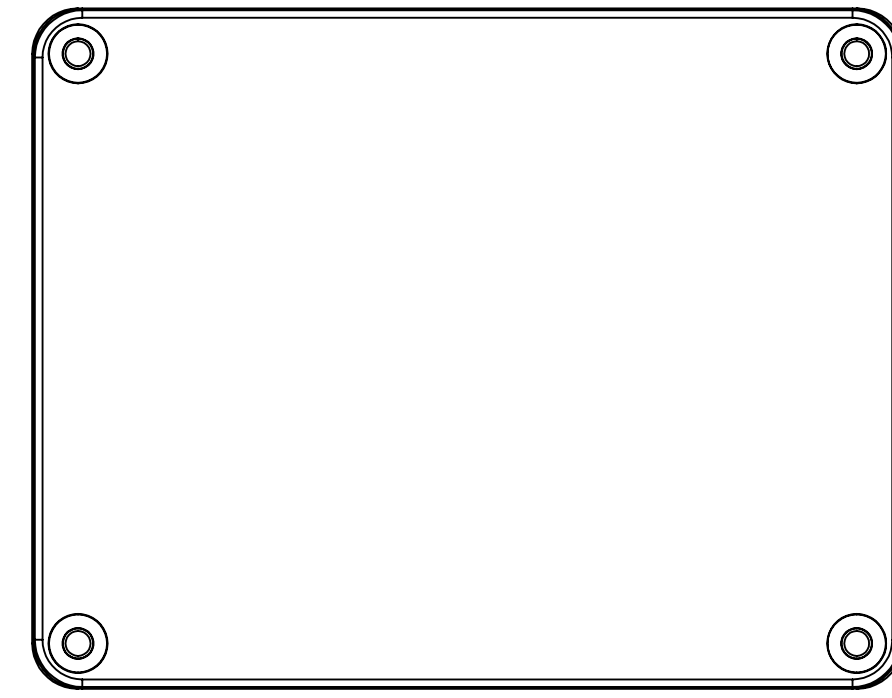
**COVER: 6 SURFACE**



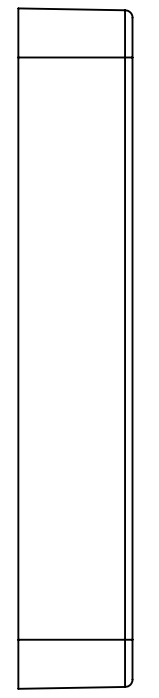
SURFACE-7



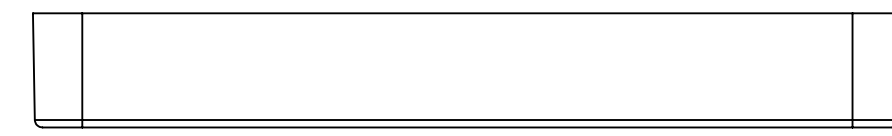
SURFACE-9



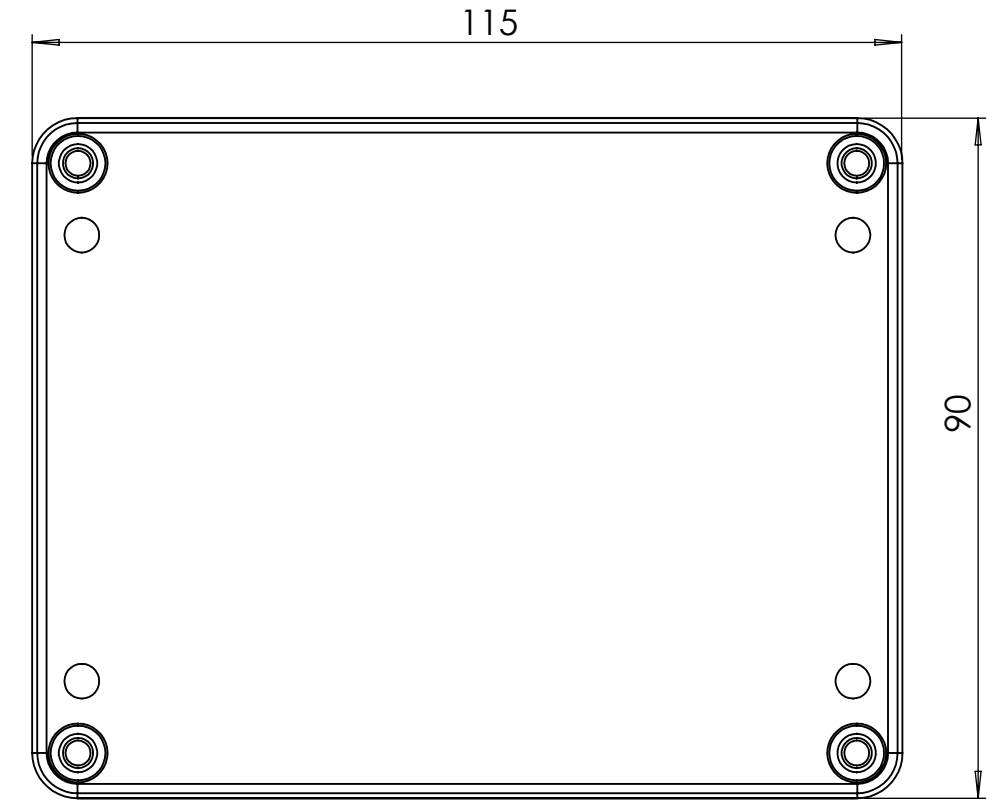
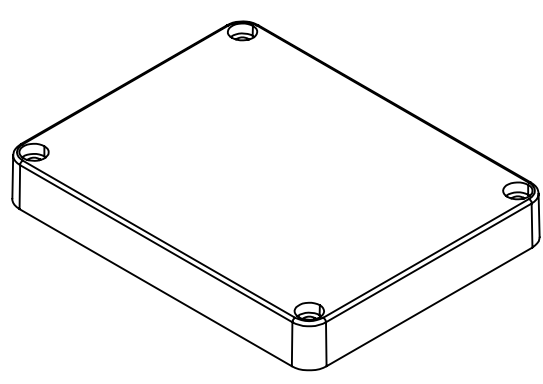
SURFACE-11



SURFACE-10



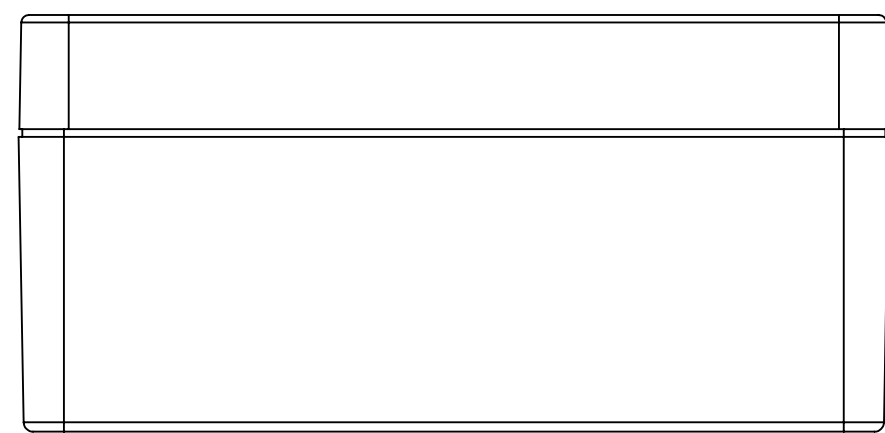
SURFACE-8



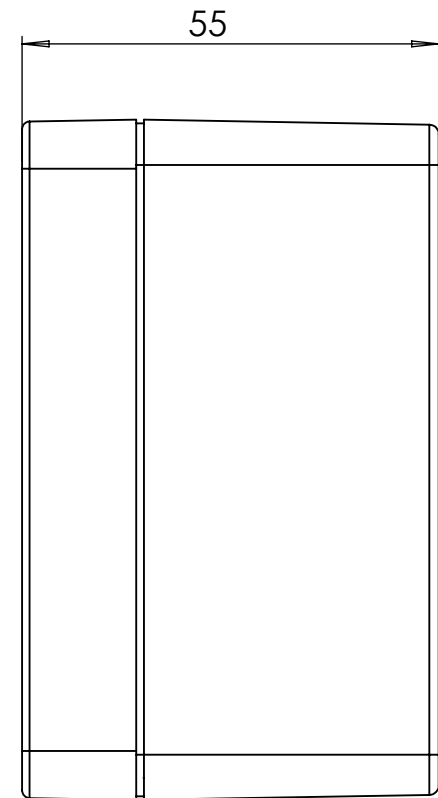
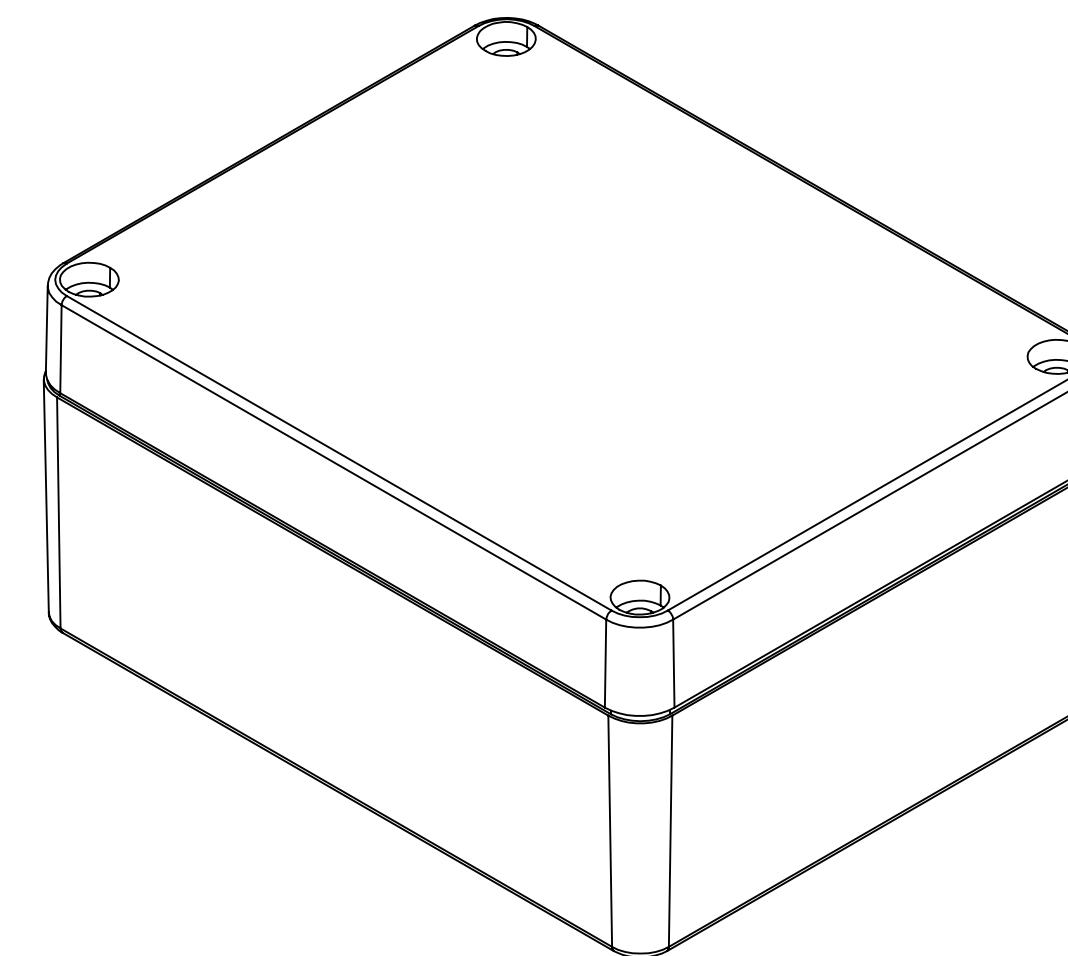
SURFACE-12 (INSIDE)

REV. NO.	DATE	REVISED BY	DESCRIPTION OF CHANGE
<span style="float: right;">www.altinkaya.com</span>			
Customer Name:		Customer Ref.:	
Altinkaya Ref.:		Part Name: SE-222-0-0	
DRAWN	NAME	DATE	Drawn From:
CHECKED	Y. YEL	7.06.2024	Material:
DIMENSIONAL TOLERANCES UNLESS OTHERWISE SPECIFIED:			SCALE 1:1 UNIT : mm
[R&T/148]	±0.1	±0.1	±0.2 ±0.3 ±0.5

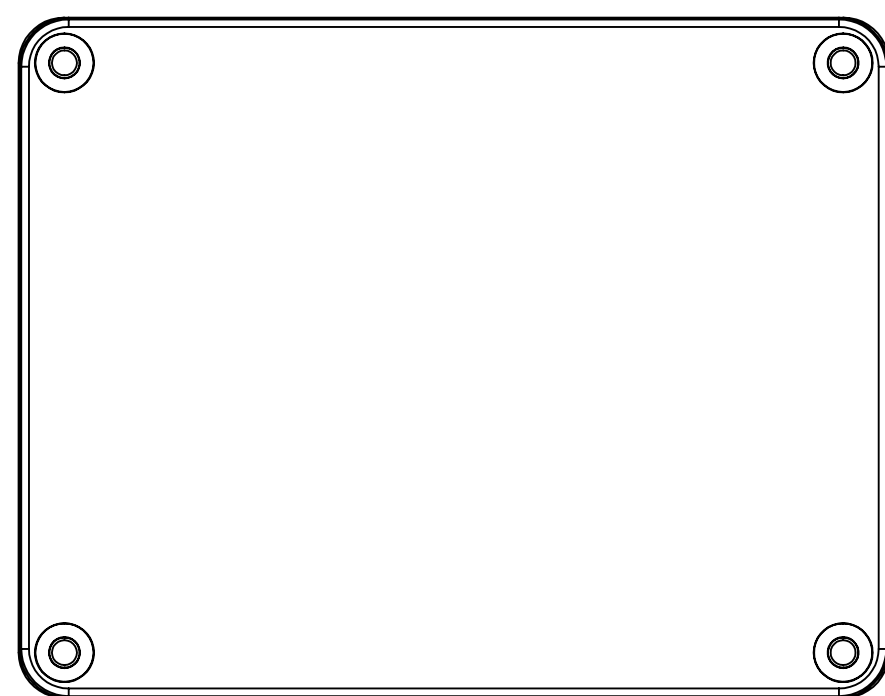
**SE-222 IF MACHINED TOGETHER**



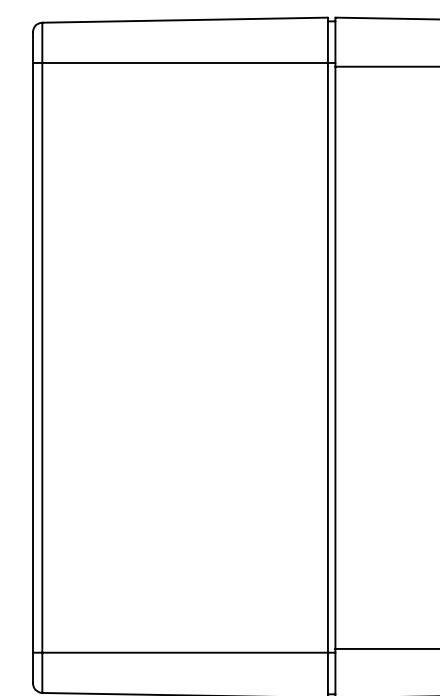
SURFACE-13



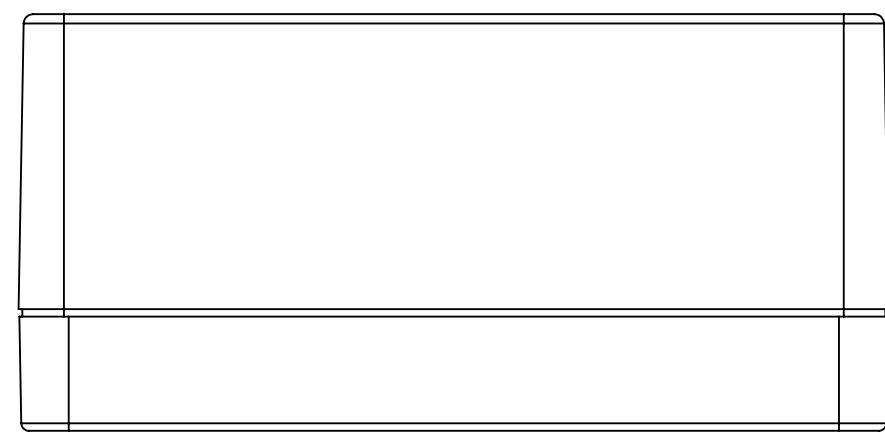
SURFACE-15



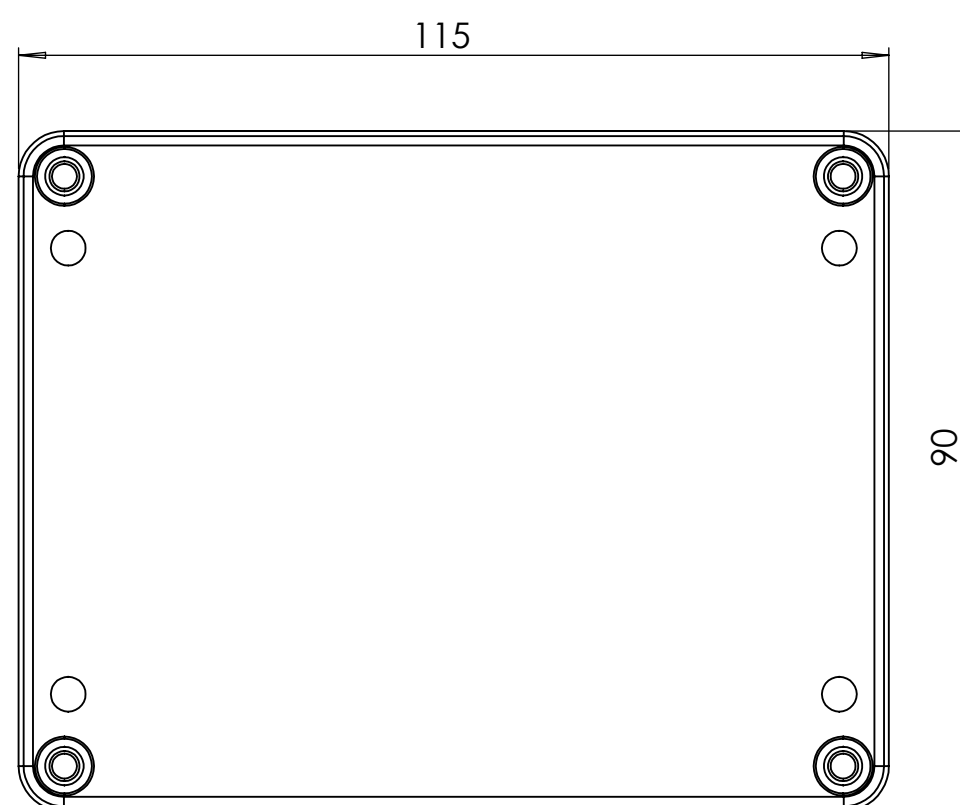
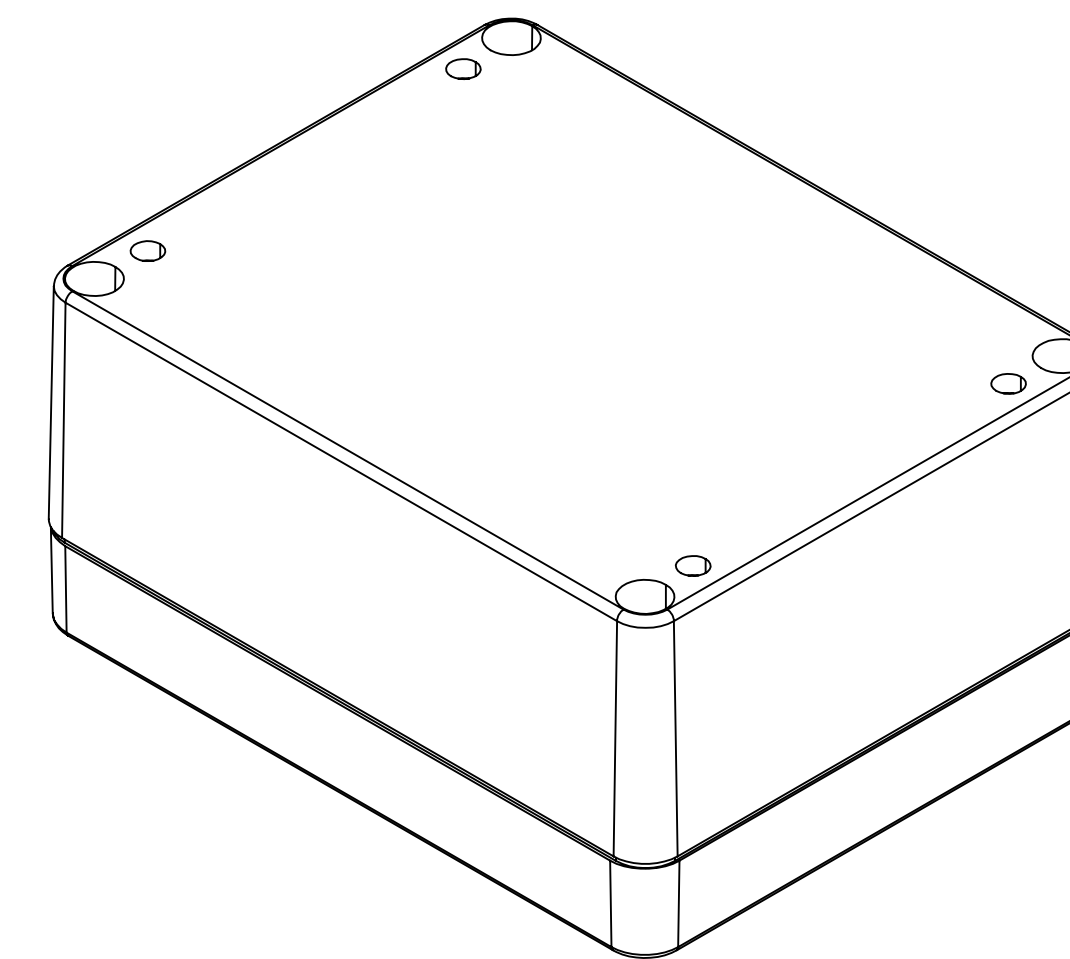
SURFACE-17



SURFACE-16



SURFACE-14



SURFACE-18

REV. NO.	DATE	REVISED BY	DESCRIPTION OF CHANGE
			<a href="http://www.altinkaya.com">www.altinkaya.com</a>
Customer Name:		Customer Ref.:	
Altinkaya Ref.:		Part Name: SE-222-0-0	
DRAWN	NAME	DATE	Drawn From:
CHECKED	Y. YEL	7.06.2024	Material:
DIMENSIONAL TOLERANCES UNLESS OTHERWISE SPECIFIED:		Weight:	UNIT : mm
(DIN7148)	±0.1	±0.1	±0.2
	±0.3	±0.5	
			Dimension(mm)
			m(medium)