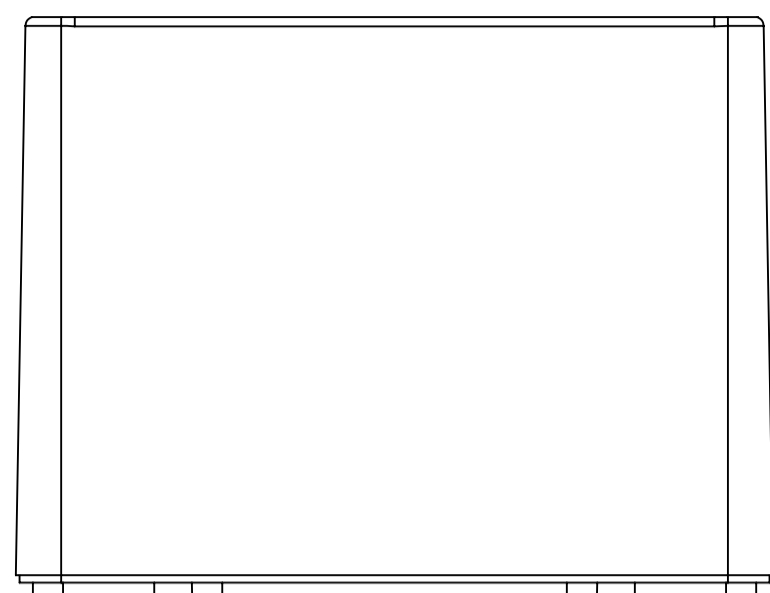
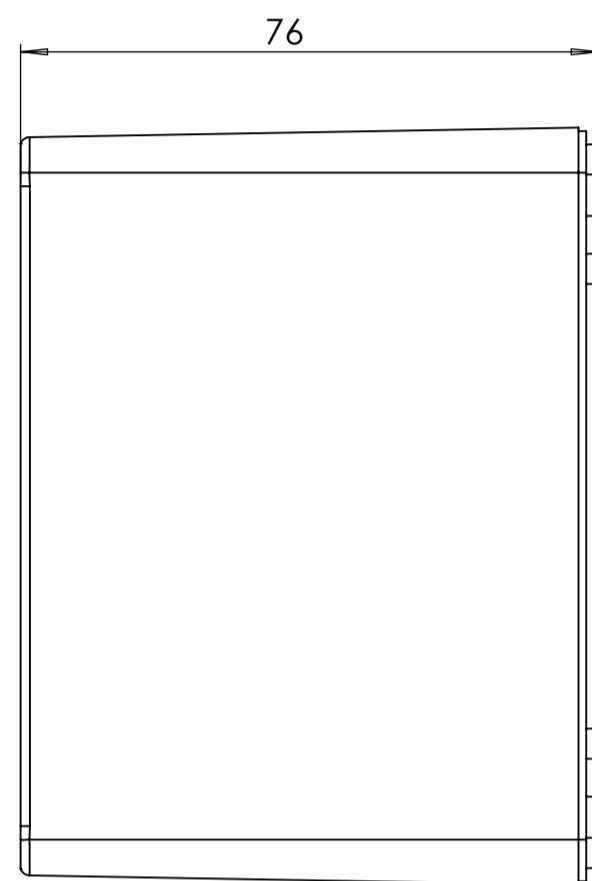


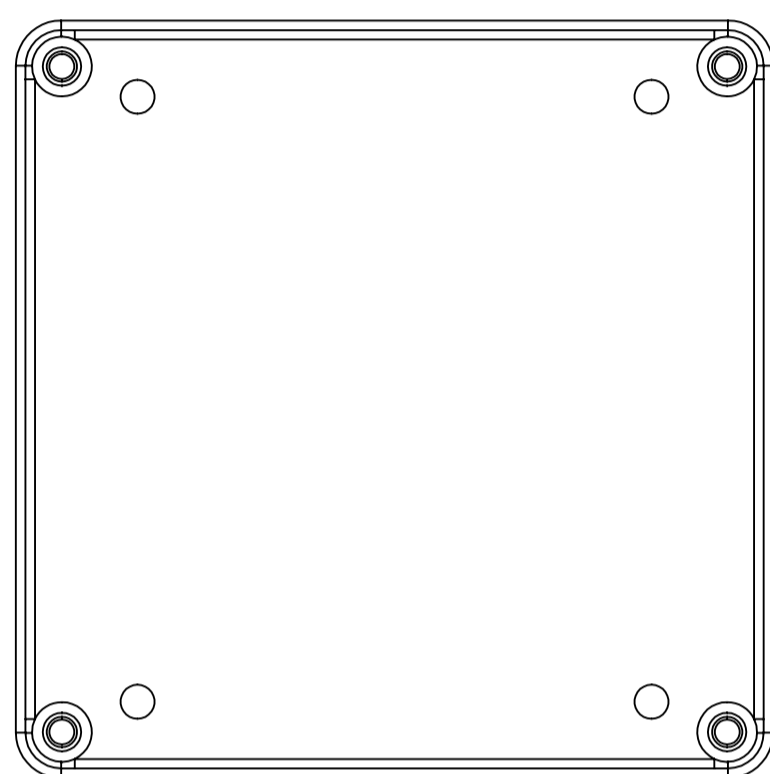
BASE: 6 SURFACE



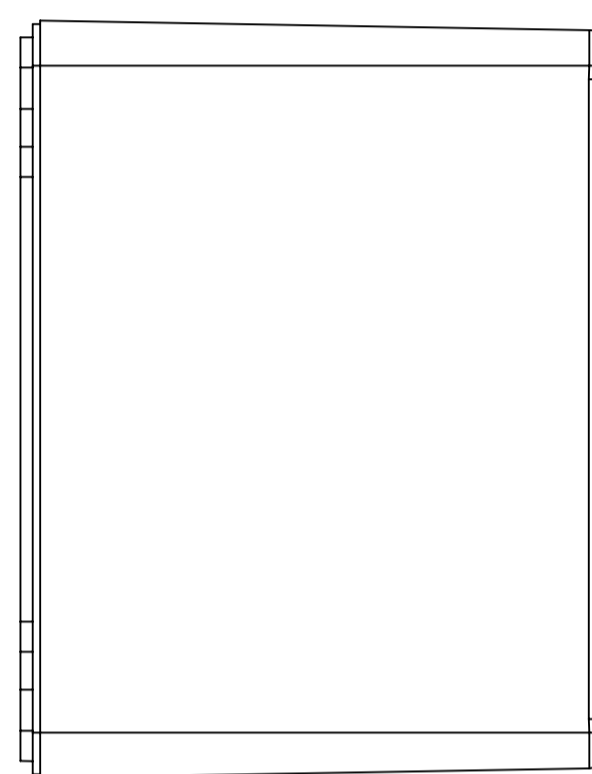
SURFACE-1



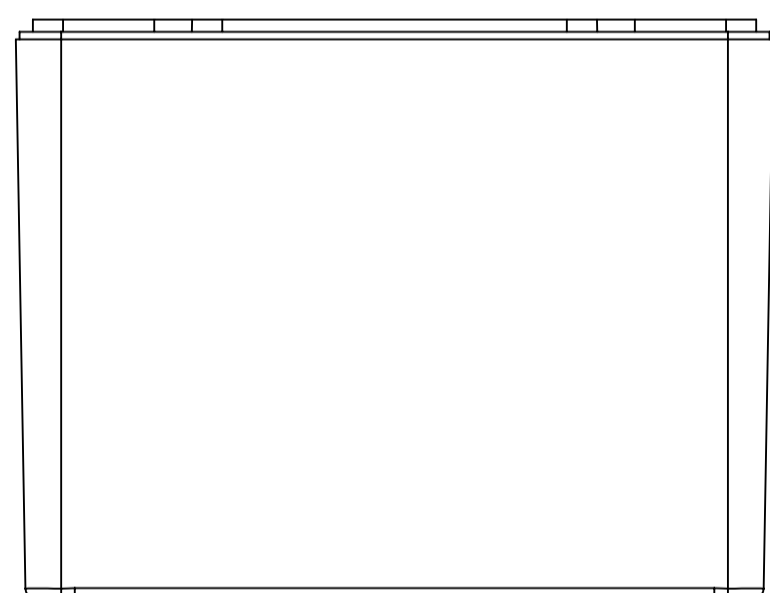
SURFACE-3



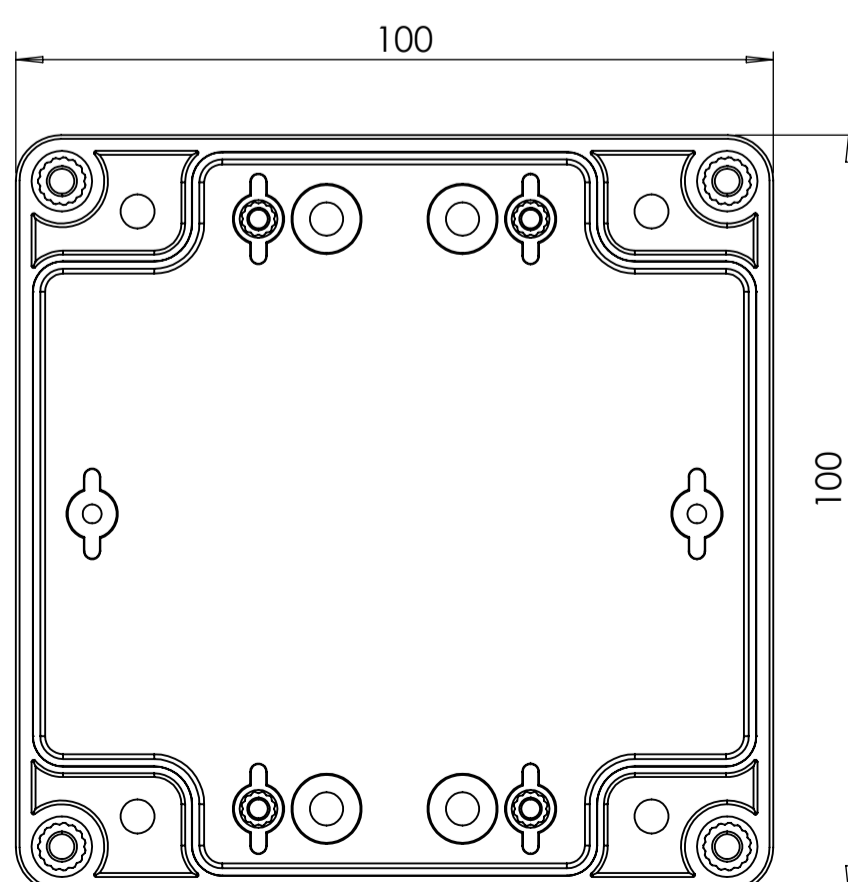
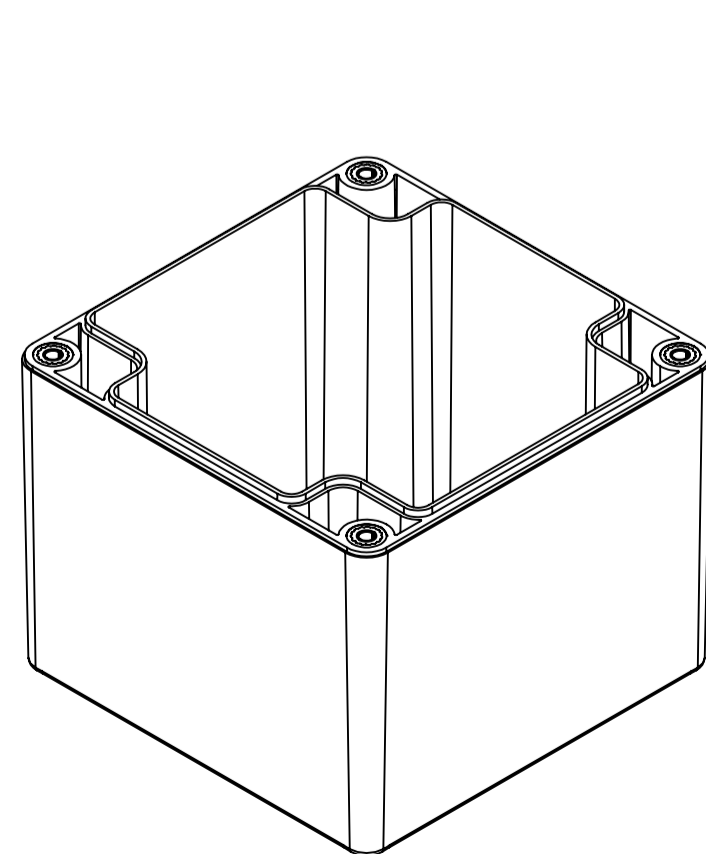
SURFACE-5



SURFACE-4



SURFACE-2

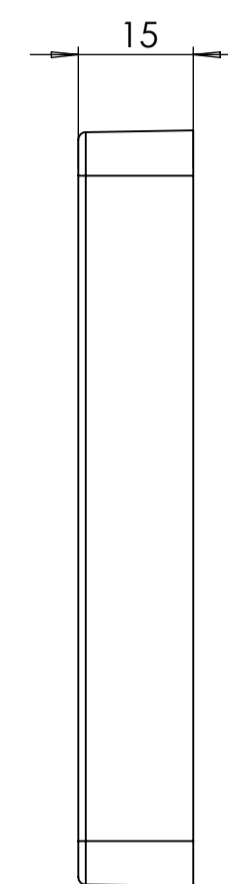


SURFACE-6 (INSIDE)

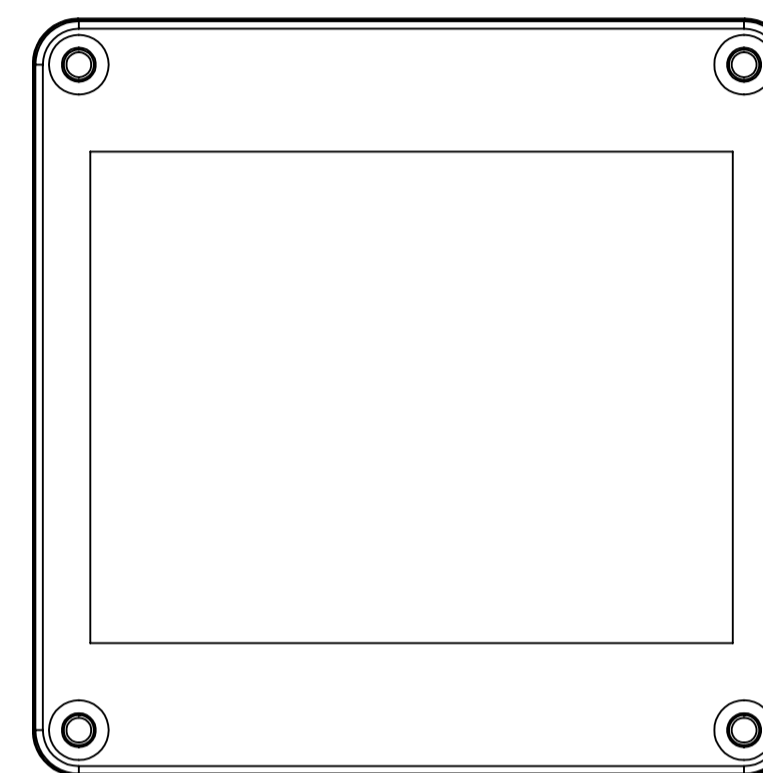
COVER: 6 SURFACE



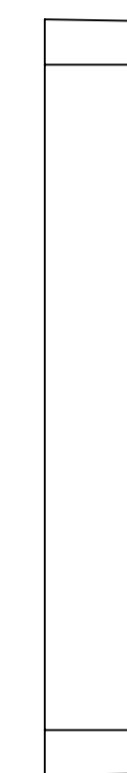
SURFACE-7



SURFACE-9



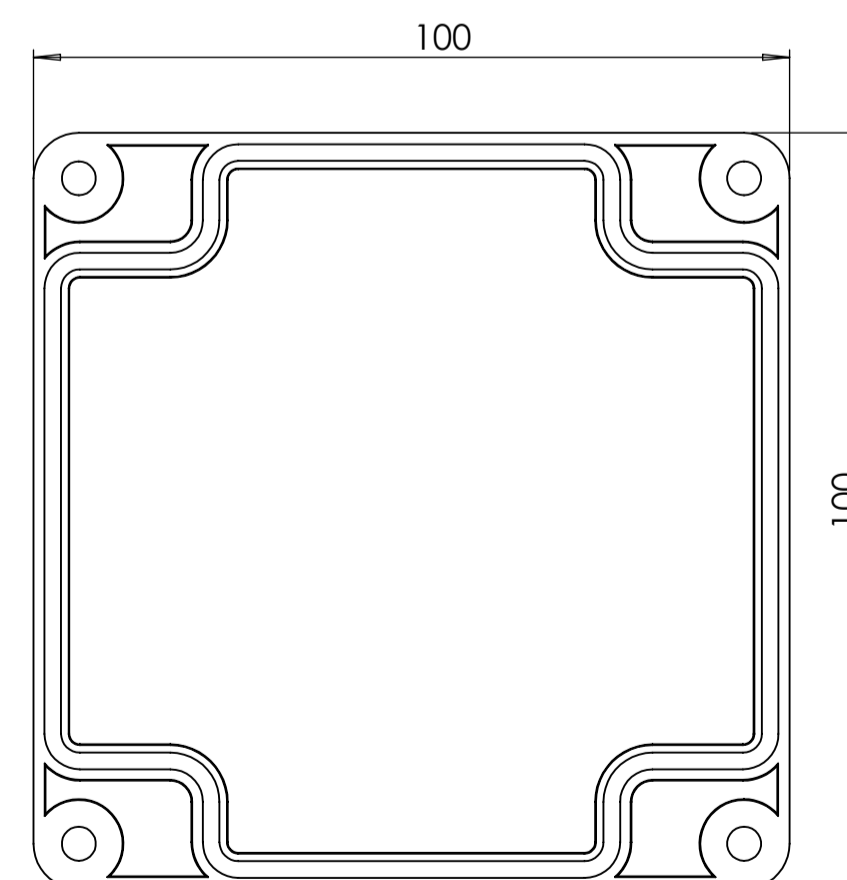
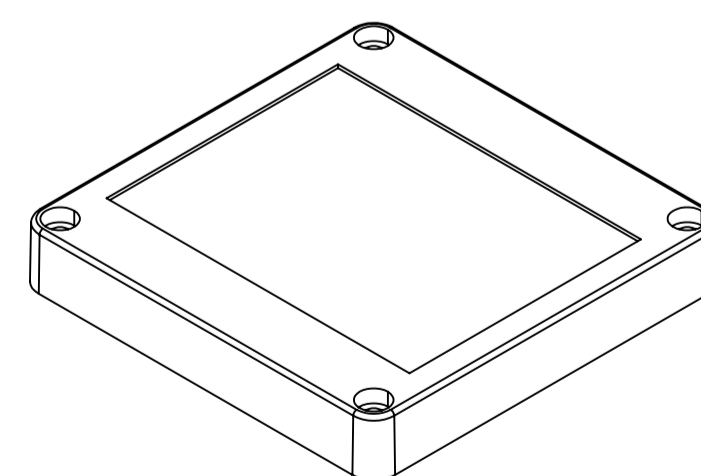
SURFACE-11



SURFACE-10



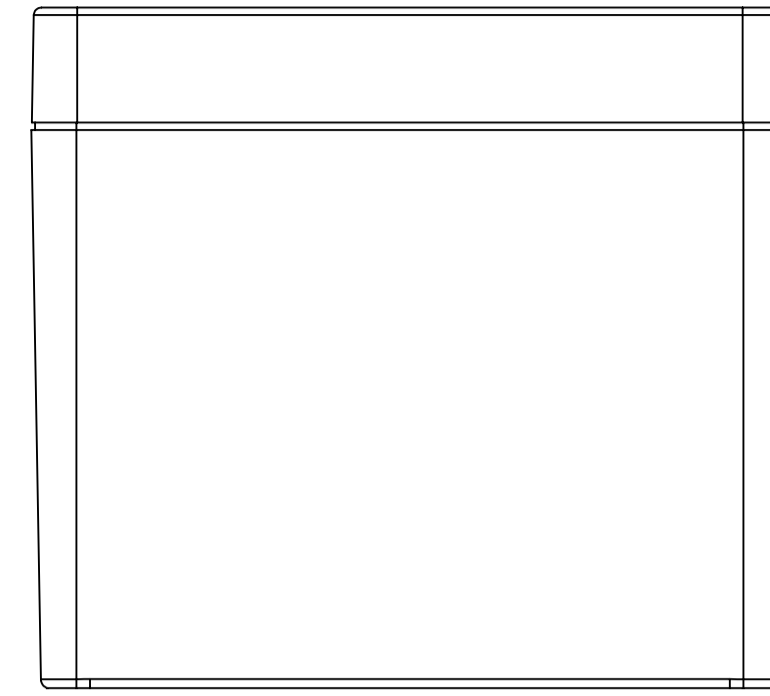
SURFACE-8



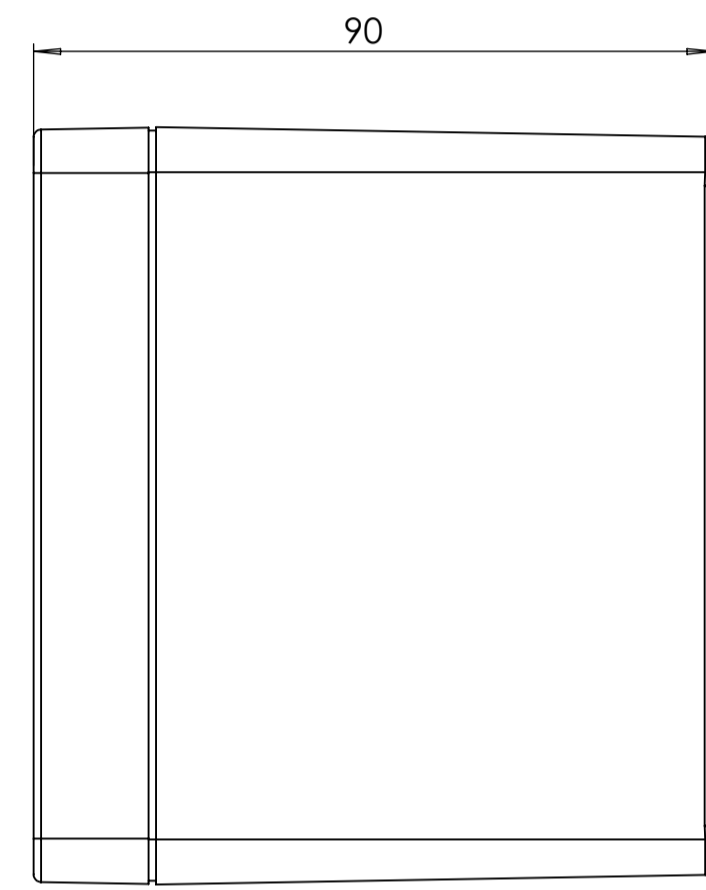
SURFACE-12 (INSIDE)

| REV. NO. | DATE | REVISED BY | DESCRIPTION OF CHANGE |
|--|--------|-----------------------|-----------------------|
|  ALTINKAYA Electronic Enclosures & Components | | | |
| Customer Name: | | Customer Ref.: | |
| Altinkaya Ref.: | | Part Name: SE-220-0-0 | |
| DRAWN | NAME | DATE | Drawn From: |
| CHECKED | Y. YEL | 7.06.2024 | Weight: |
| DIMENSIONAL TOLERANCES UNLESS OTHERWISE SPECIFIED: | | 0.5-3mm | 3-6mm |
| | | ±0.1 | ±0.1 ±0.2 ±0.3 ±0.5 |
| SCALE 1:1 | | | UNIT : mm |
| Dimension(mm) | | | A1 |
| m(medium) | | | 1 |
| SHEET 1 OF 2 | | | |

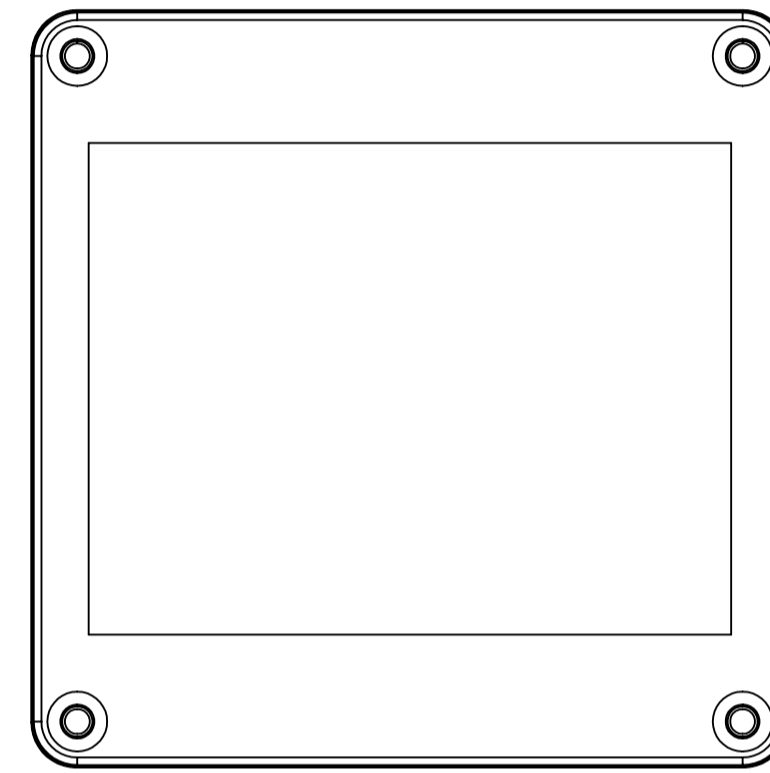
SE-220 IF MACHINED TOGETHER



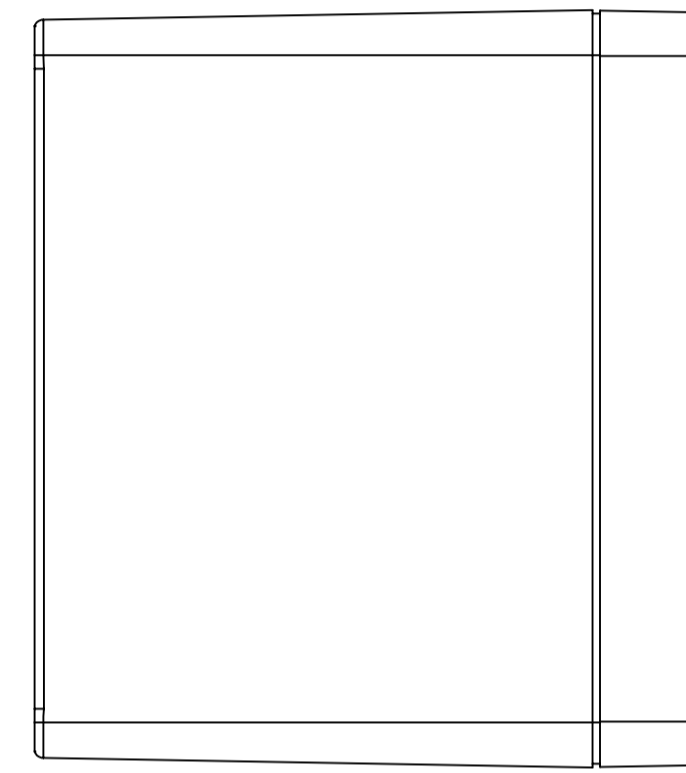
SURFACE-13



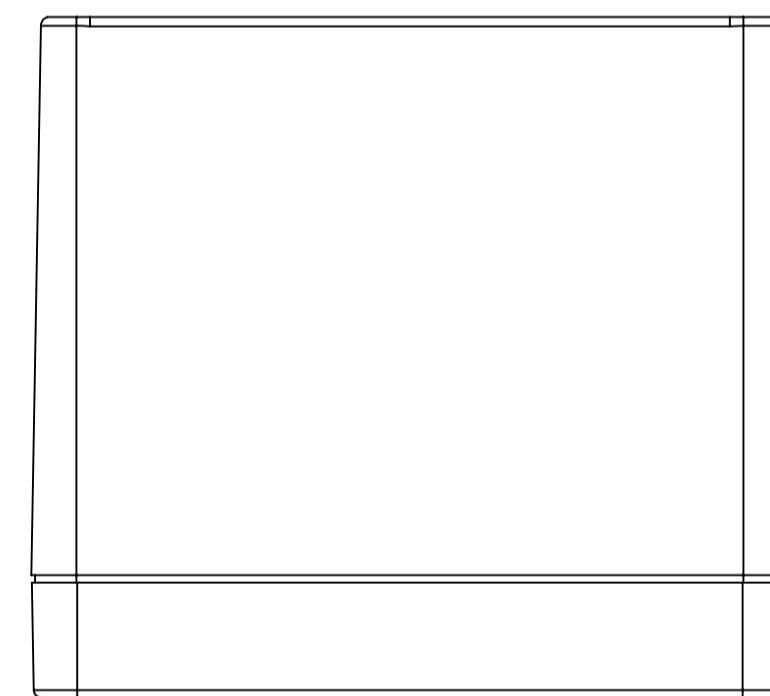
SURFACE-15



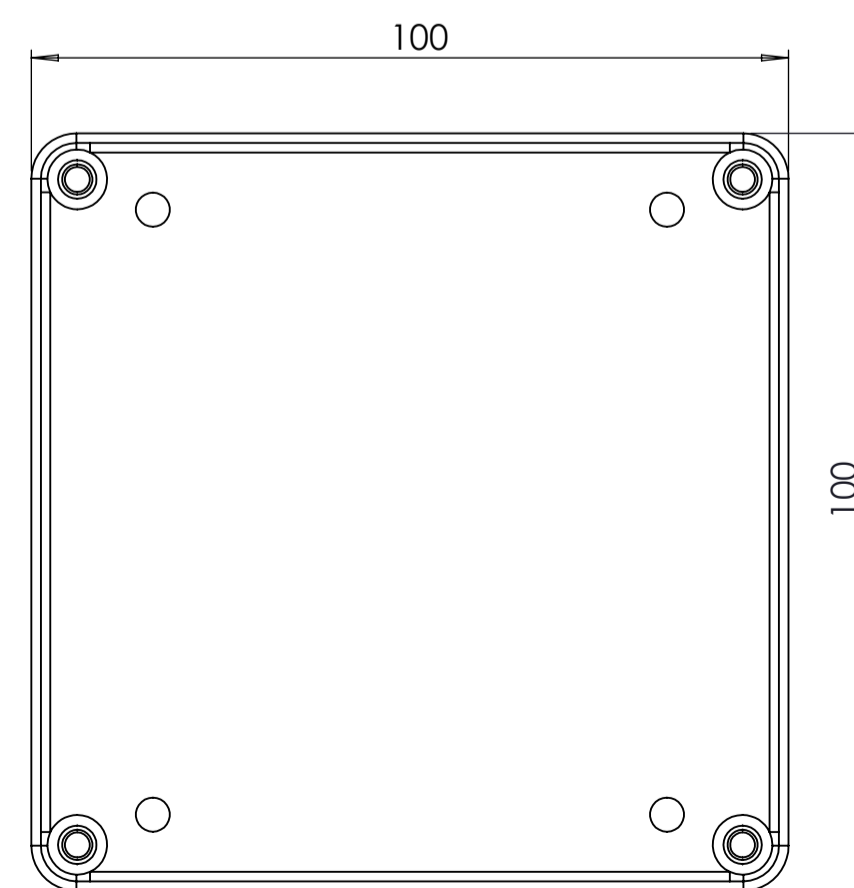
SURFACE-17



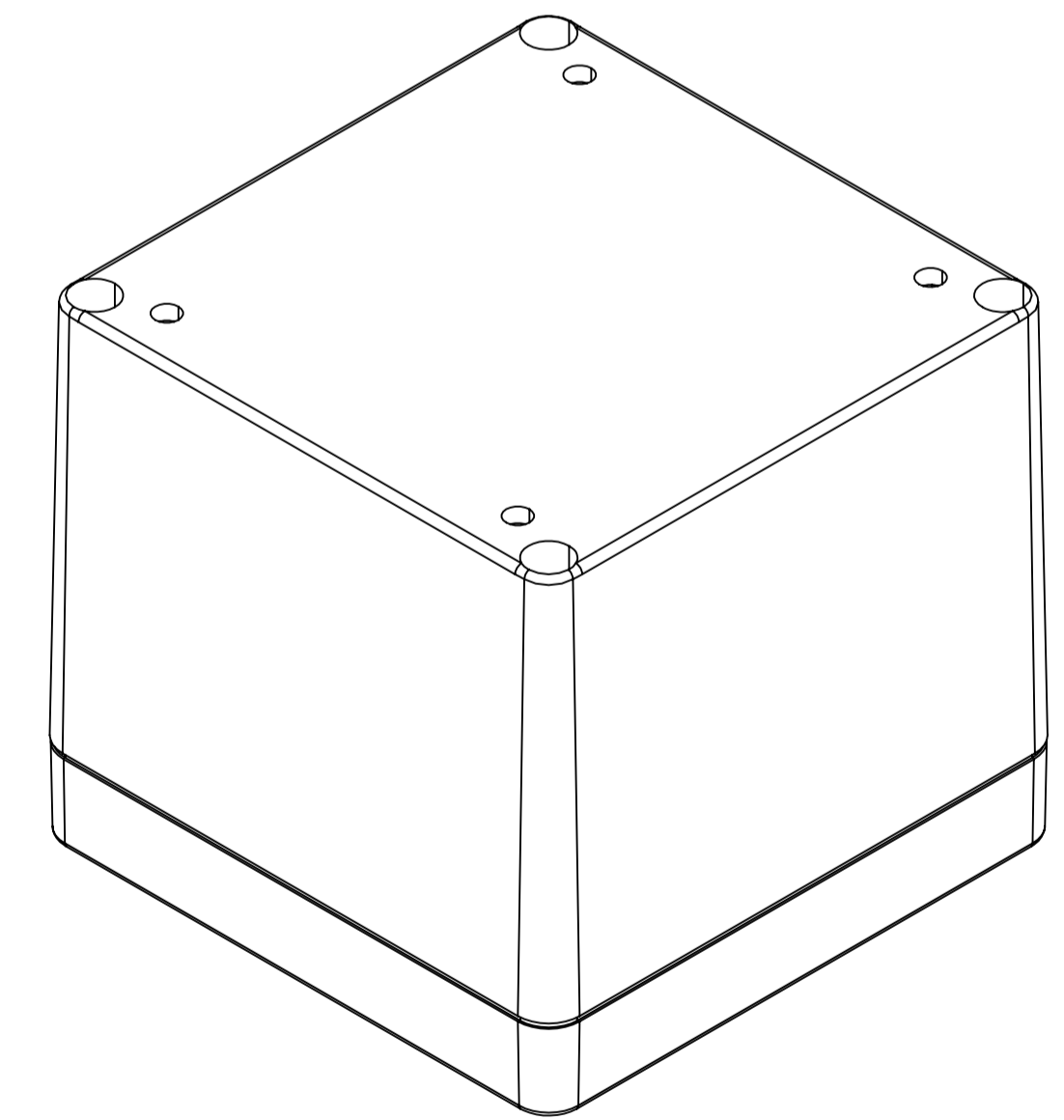
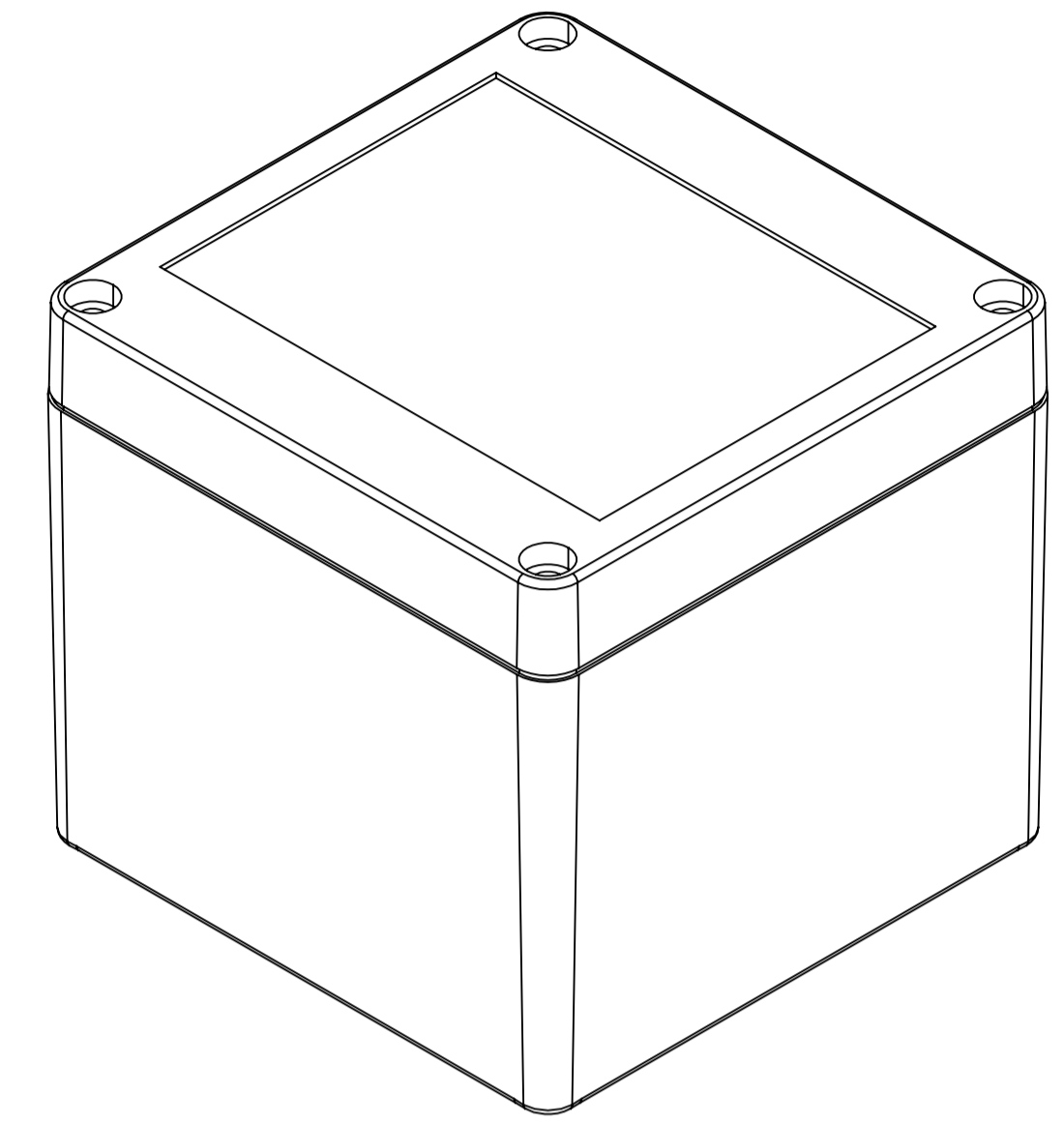
SURFACE-16



SURFACE-14



SURFACE-18



| REV. NO. | DATE | REVISED BY | DESCRIPTION OF CHANGE |
|---|-----------|-----------------------|-----------------------|
| www.altinkaya.com | | | |
| Customer Name: | | Customer Ref.: | |
| Altinkaya Ref.: | | Part Name: SE-220-0-0 | |
| DRAWN | NAME | DATE | Drawn From: |
| CHECKED | Y. YESLOZ | 7.06.2024 | Material: |
| DIMENSIONAL TOLERANCES UNLESS OTHERWISE SPECIFIED: | | | Weight: |
| (R&T/148) | ±0.1 | ±0.1 | ±0.2 |
| | 3-6mm | 6-30mm | 30-120mm |
| | | 120-400mm | Dimension(mm) |
| | | | m(medium) |