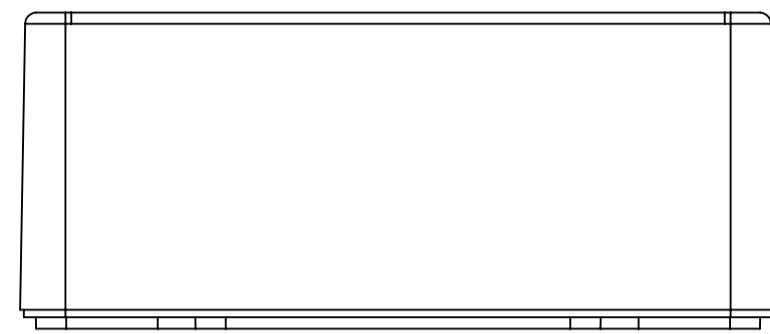
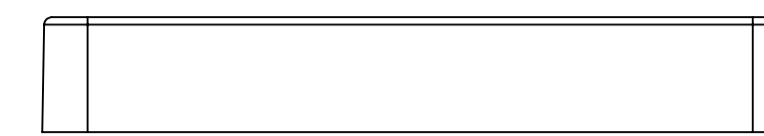


**BASE: 6 SURFACE**

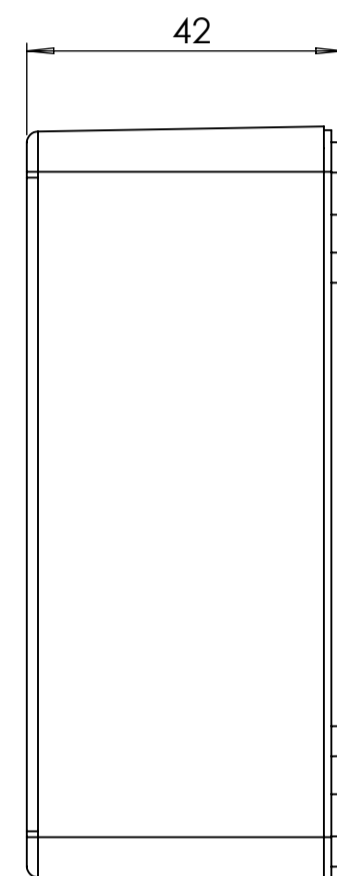
**COVER: 6 SURFACE**



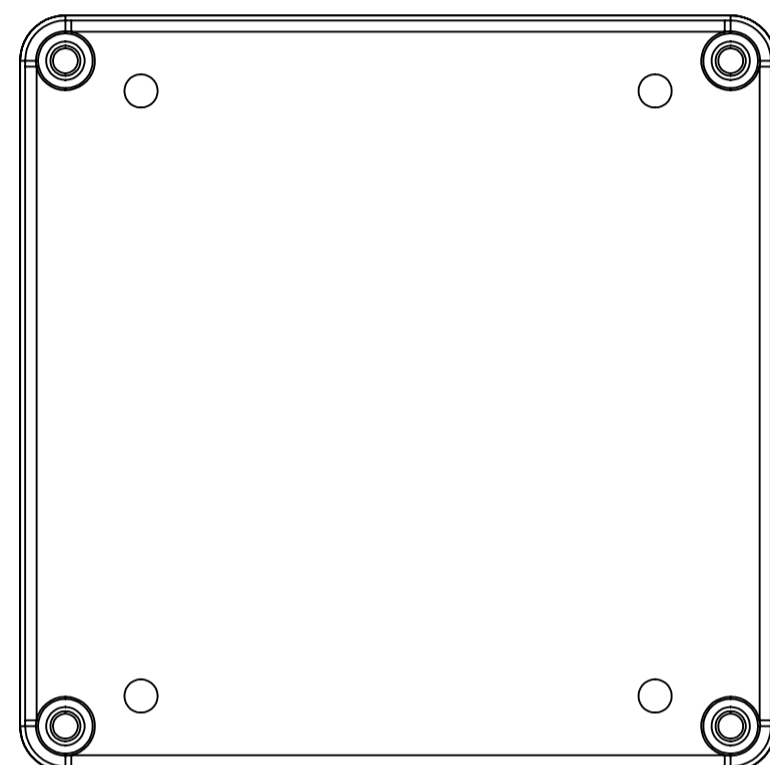
SURFACE-1



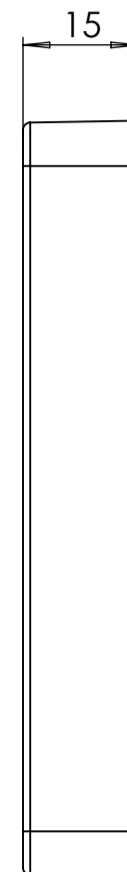
SURFACE-7



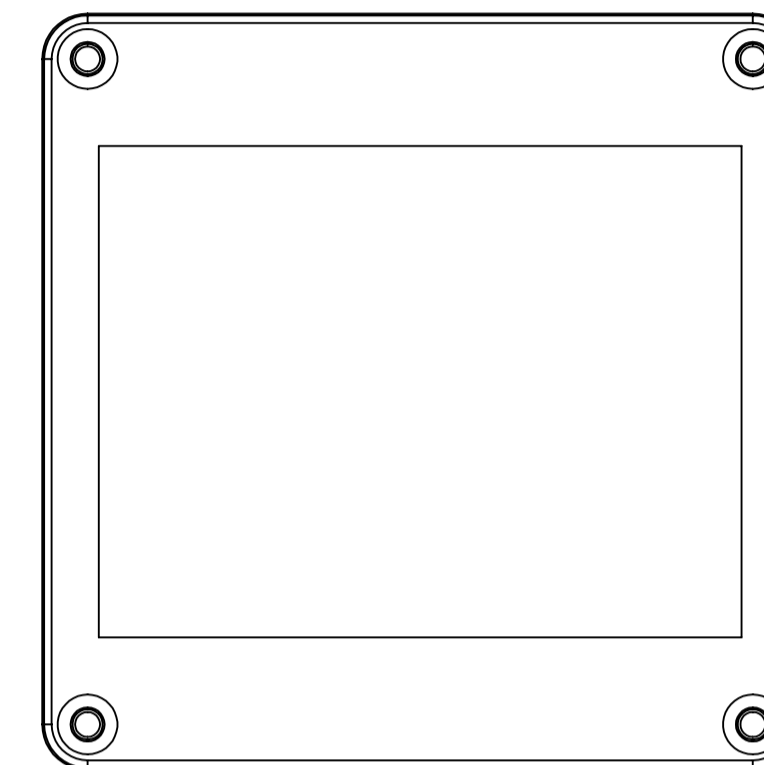
SURFACE-3



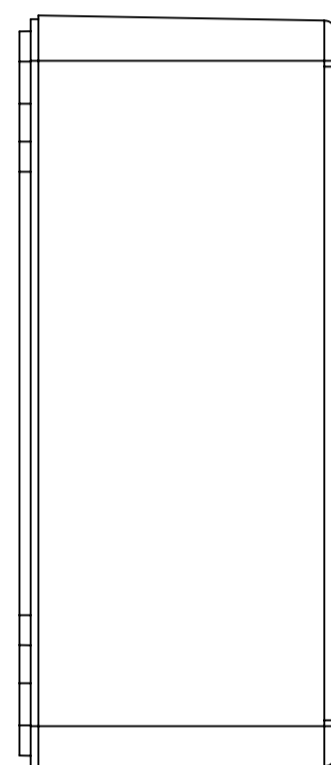
SURFACE-5



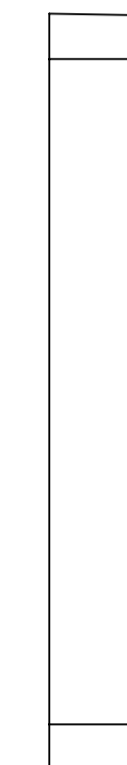
SURFACE-9



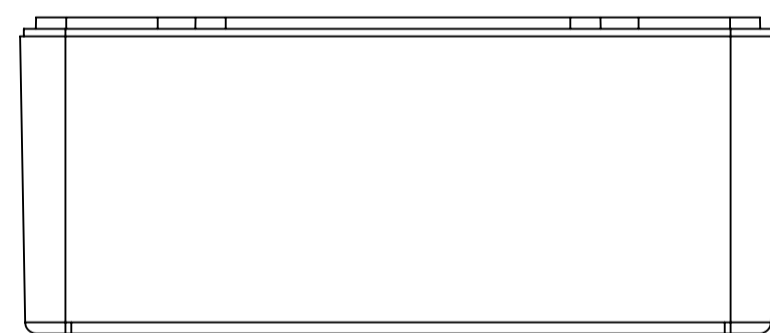
SURFACE-11



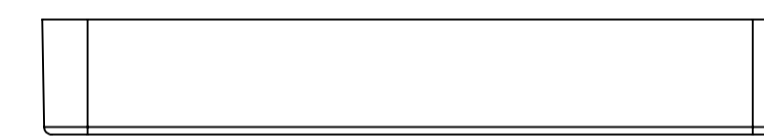
SURFACE-4



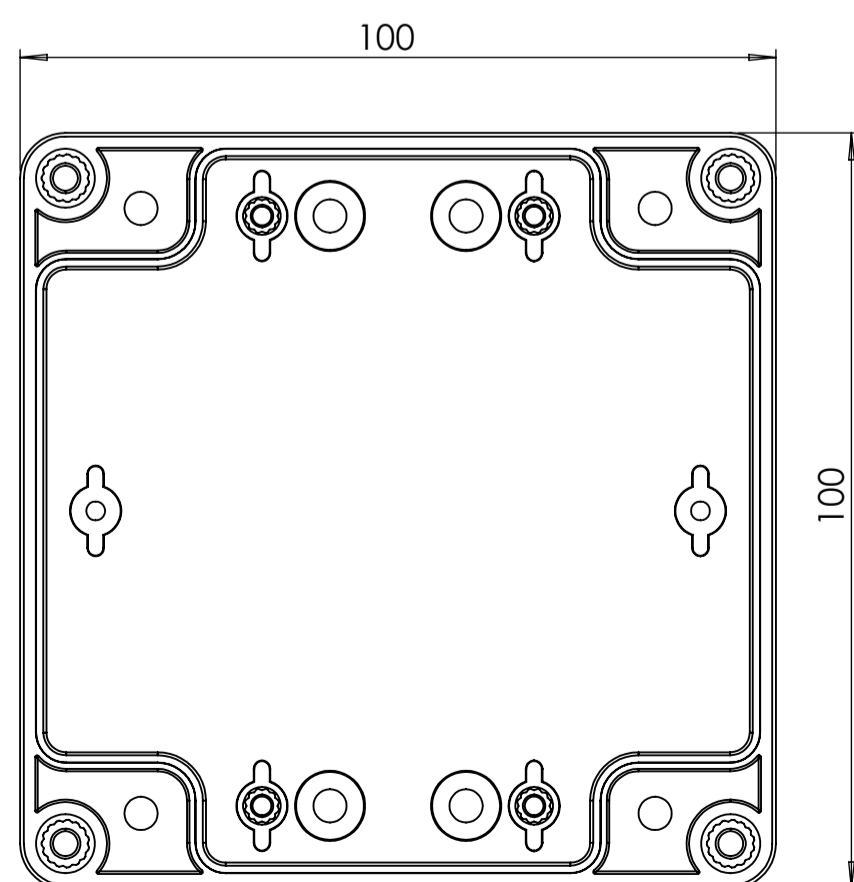
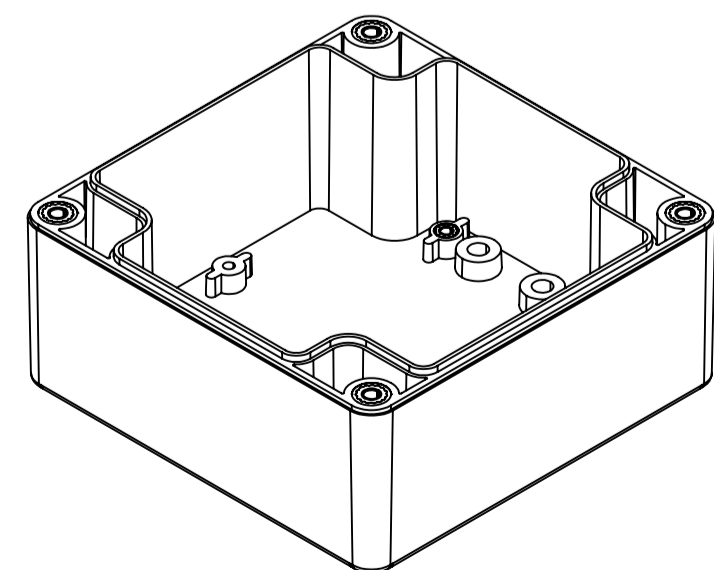
SURFACE-10



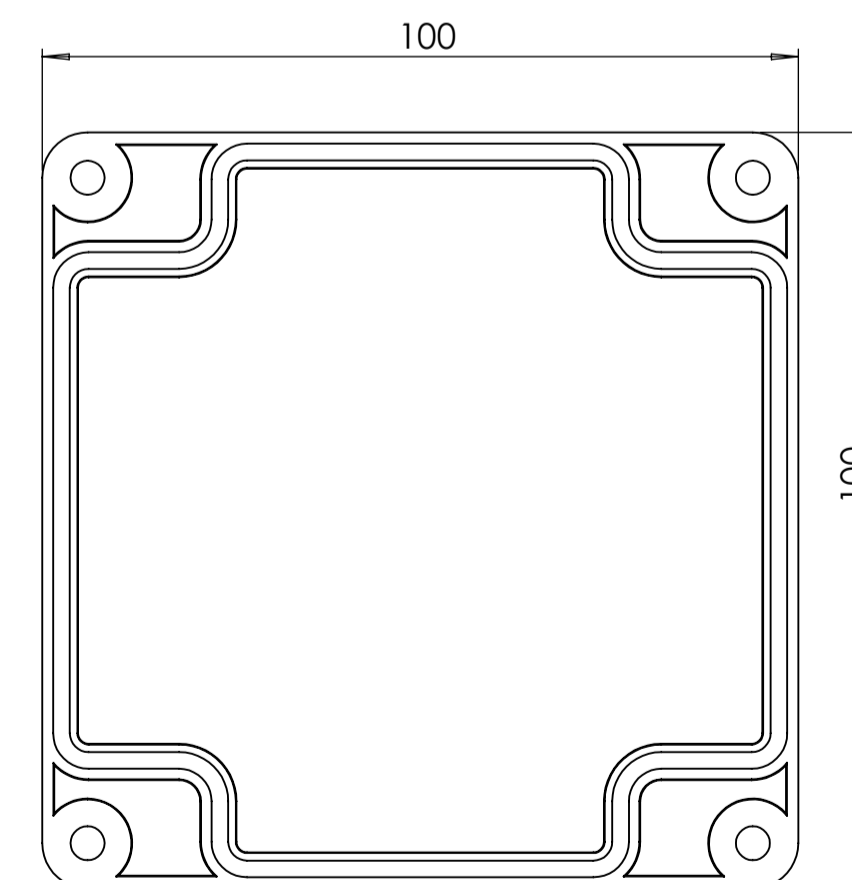
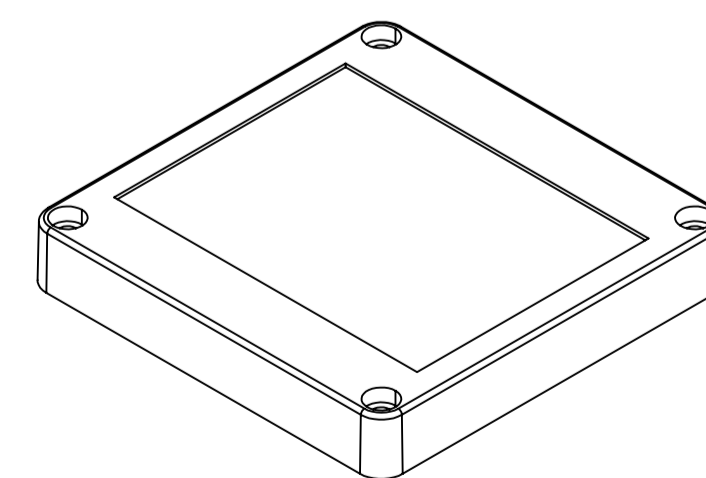
SURFACE-2



SURFACE-8



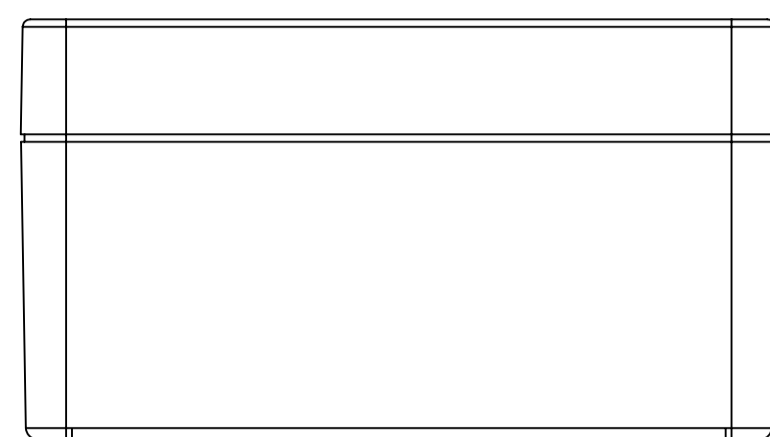
SURFACE-6 (INSIDE)



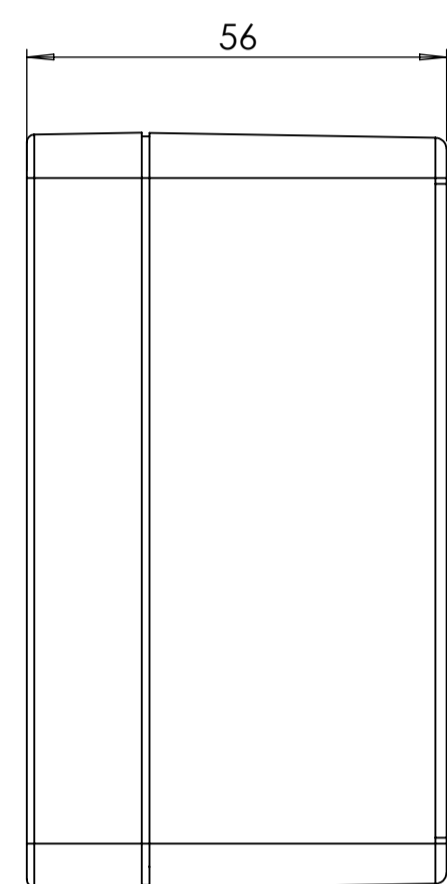
SURFACE-12 (INSIDE)

REV. NO.	DATE	REVISED BY	DESCRIPTION OF CHANGE
<span style="float: right;"><b>www.altinkaya.com</b></span>			
Customer Name:		Customer Ref.:	
Altinkaya Ref.:		Part Name: SE-218-0-0	
DRAWN	NAME	DATE	Drawn From:
CHECKED	Y. YEL	7.06.2024	Material:
DIMENSIONAL TOLERANCES UNLESS OTHERWISE SPECIFIED:			SCALE: 1:1 UNIT: mm
[DIN7148]	±0.1	±0.1	±0.2 ±0.3 ±0.5

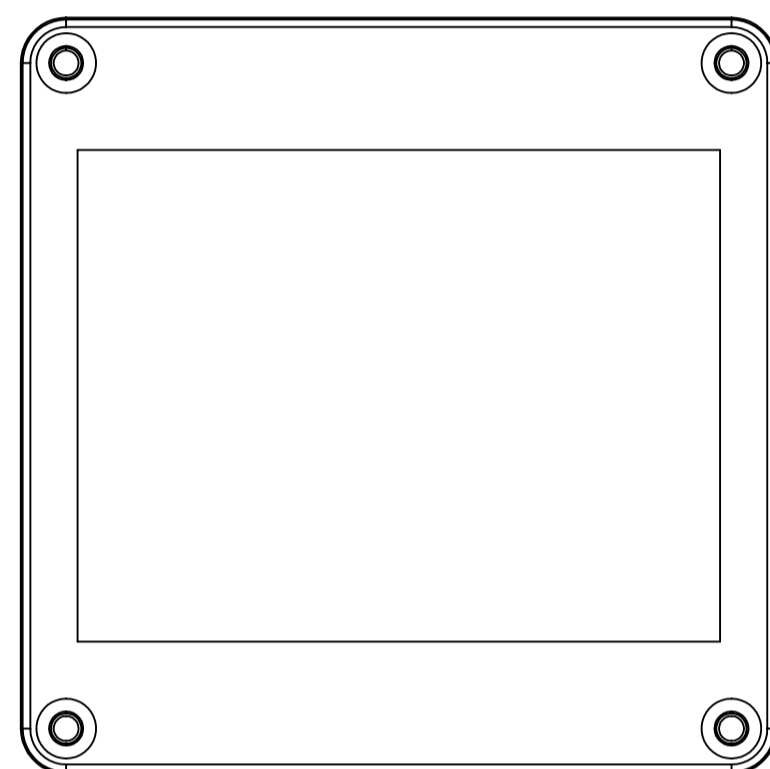
**SE-218 IF MACHINED TOGETHER**



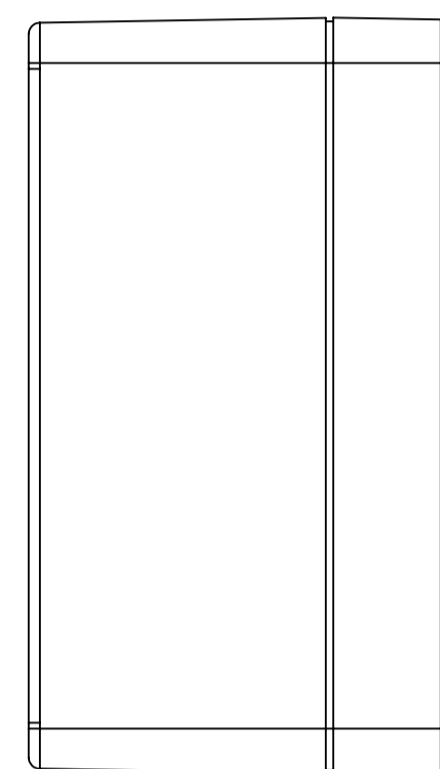
SURFACE-13



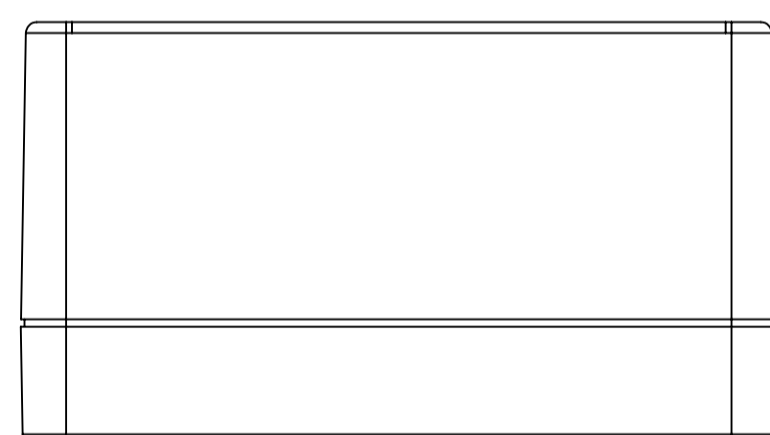
SURFACE-15



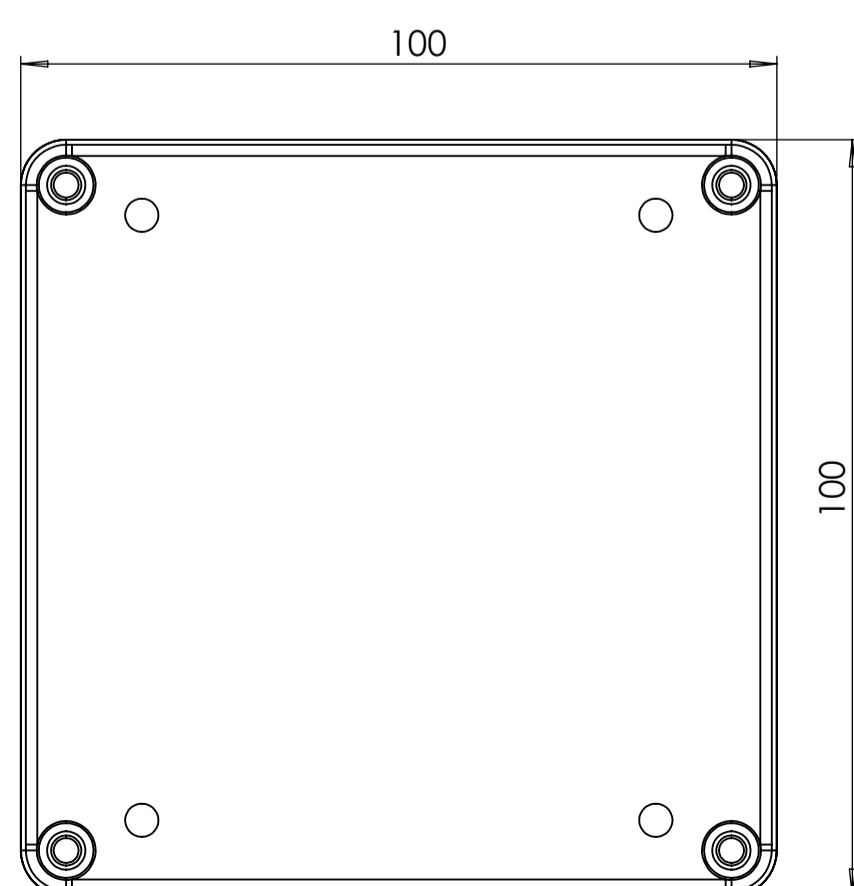
SURFACE-17



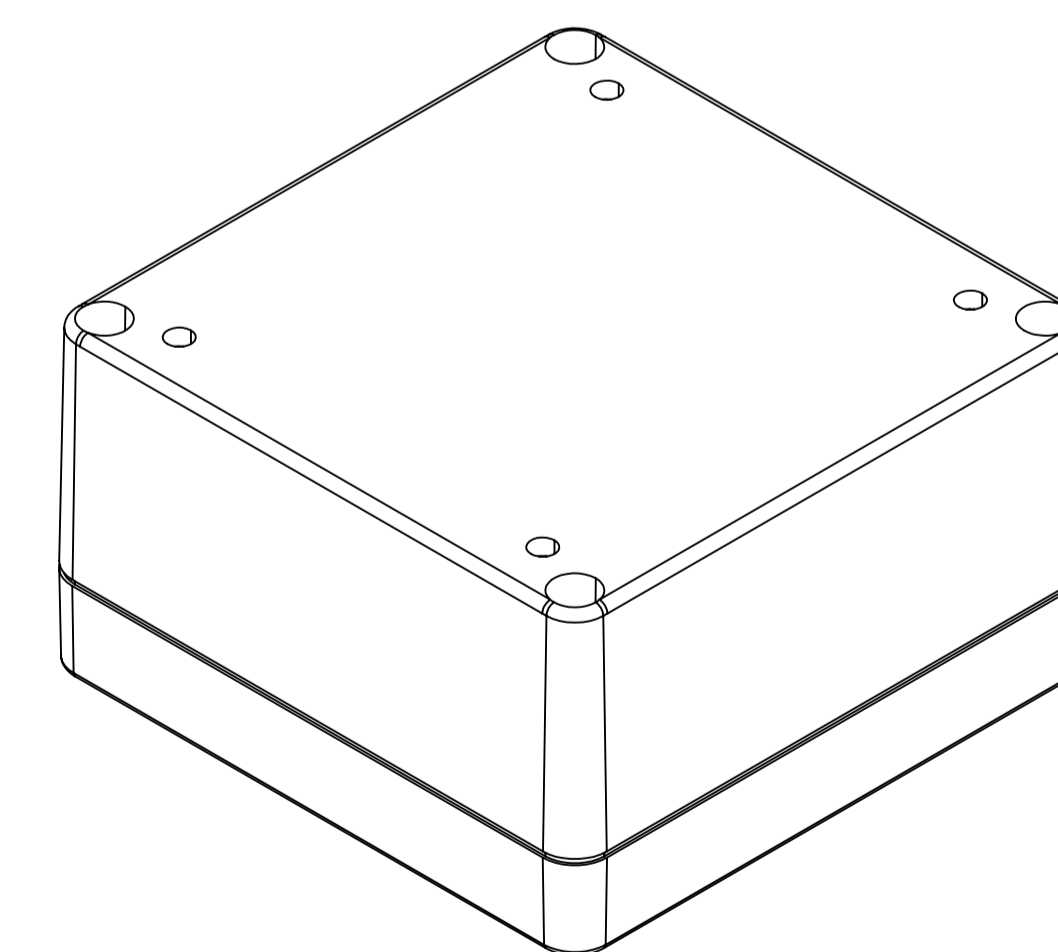
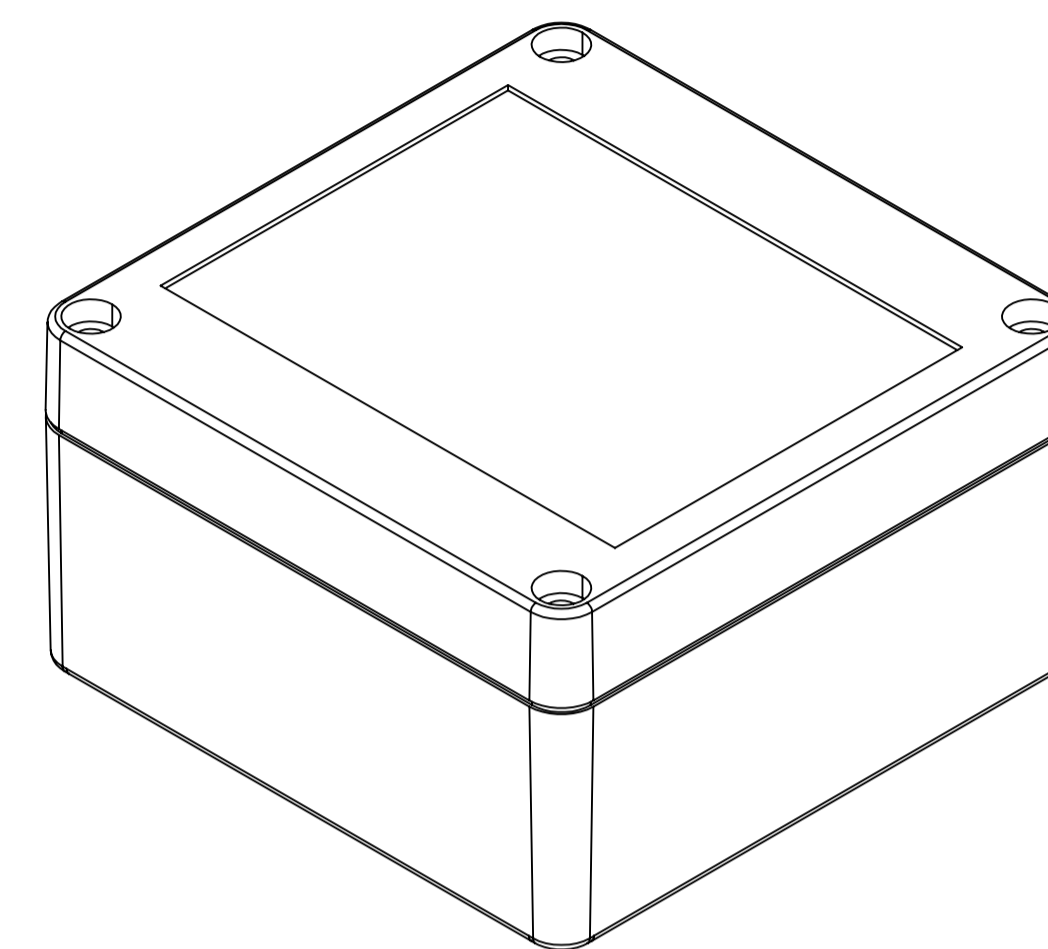
SURFACE-16



SURFACE-14



SURFACE-18



REV. NO.	DATE	REVISED BY	DESCRIPTION OF CHANGE
 <span style="float: right;"><a href="http://www.altinkaya.com">www.altinkaya.com</a></span>			
Customer Name:		Customer Ref.:	
Altinkaya Ref.:		Part Name: SE-218-0-0	
DRAWN	NAME	DATE	Drawn From:
CHECKED	Y. YEL	7.06.2024	Material:
DIMENSIONAL TOLERANCES UNLESS OTHERWISE SPECIFIED:			SCALE 1:1 UNIT : mm
(DIN7148)	±0.1	±0.1	±0.2
	3-6mm	6-30mm	30-120mm
		±0.3	120-400mm
			±0.5
			Dimension(mm)
			m(medium)