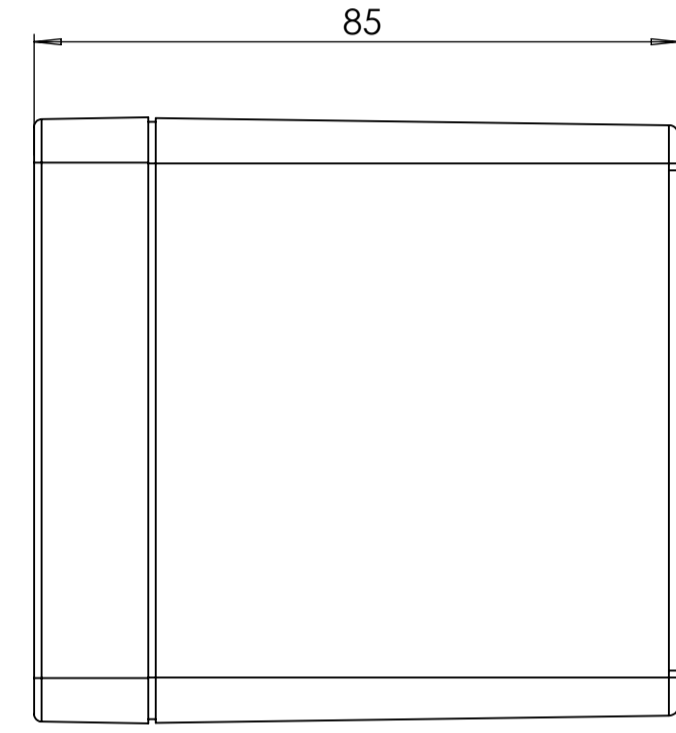


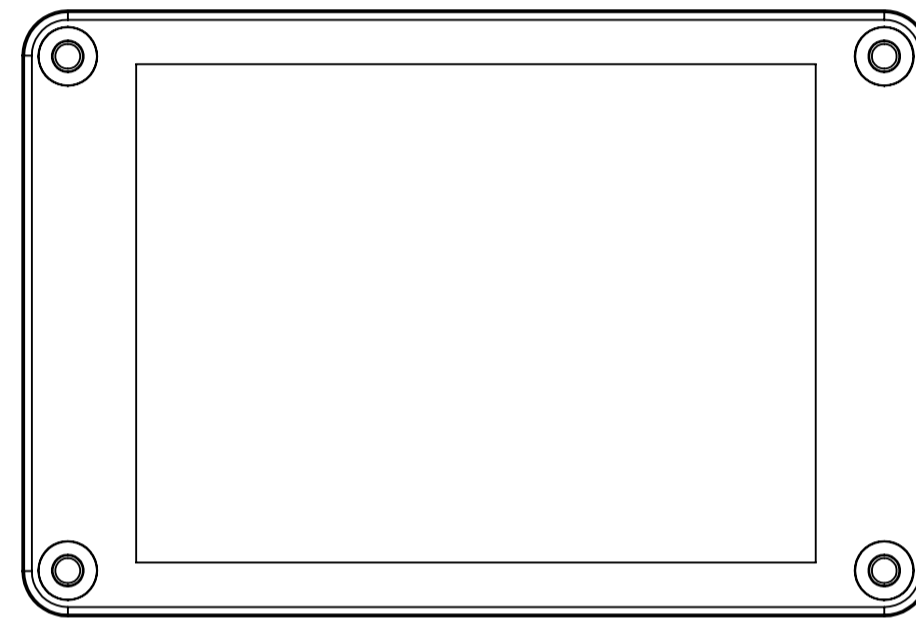
SE-216 IF MACHINED TOGETHER



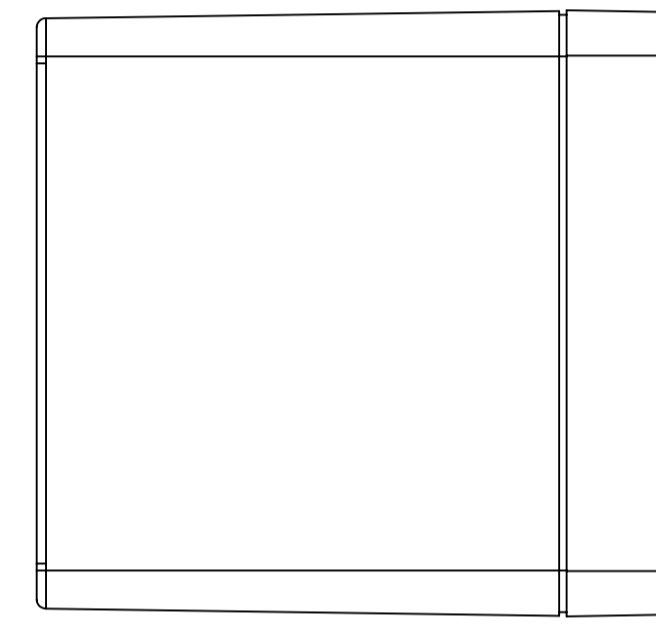
SURFACE-13



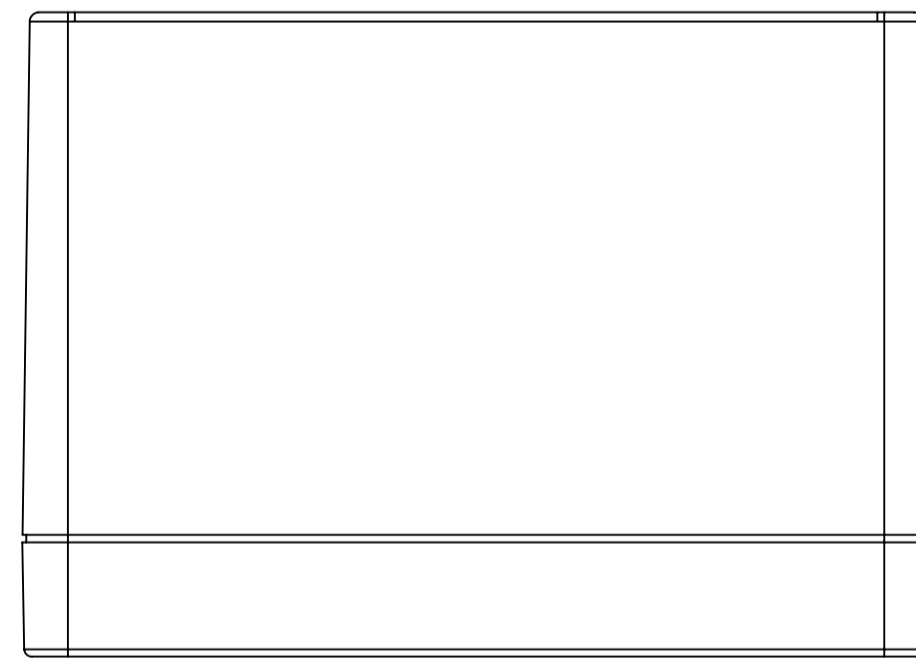
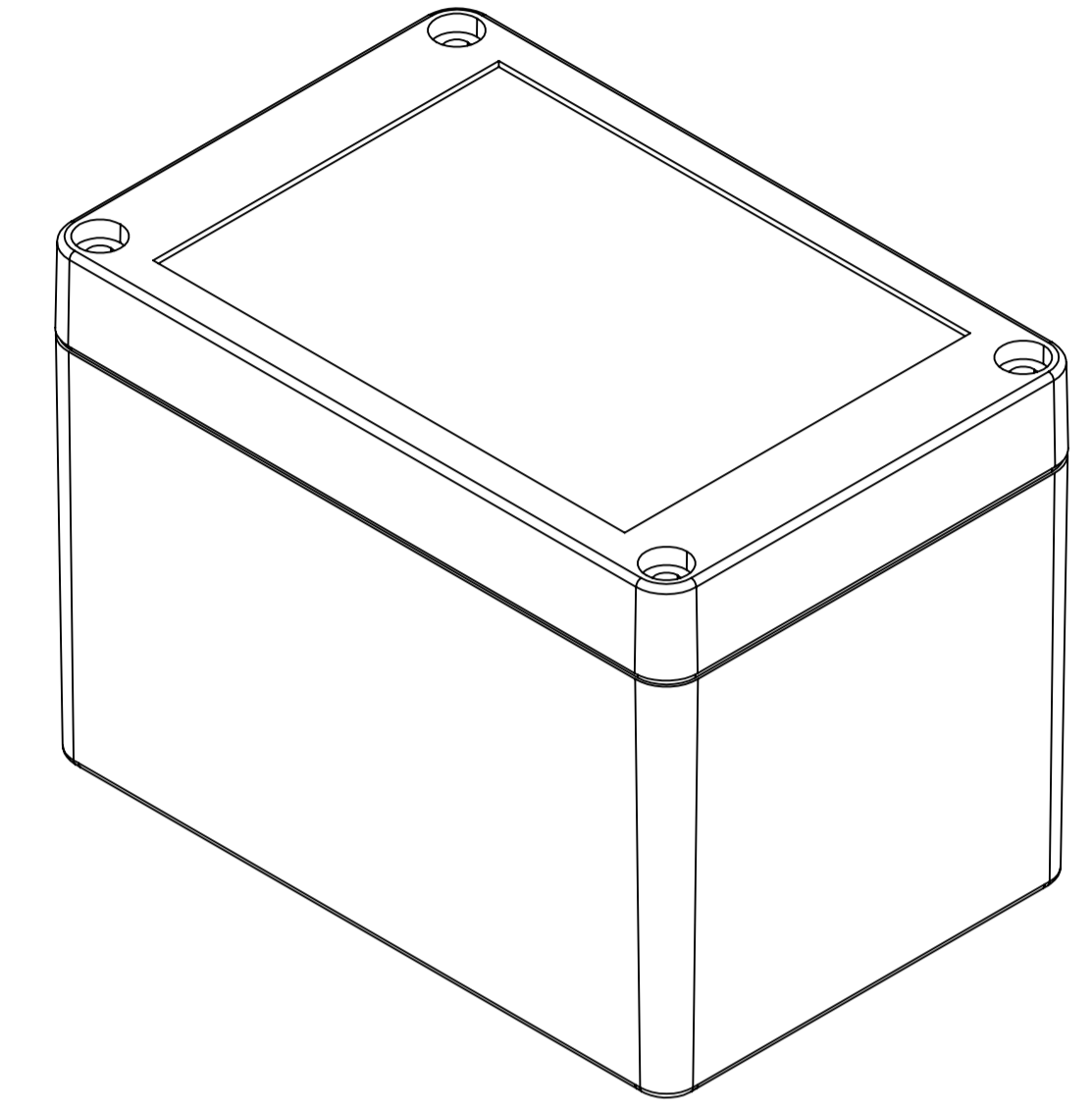
SURFACE-15



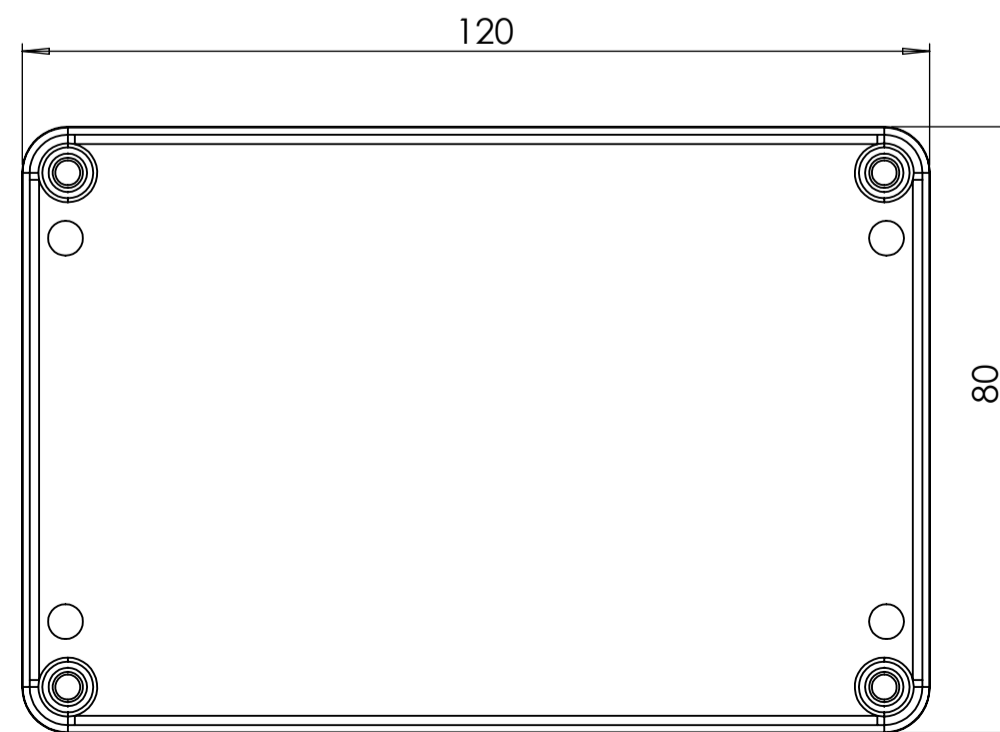
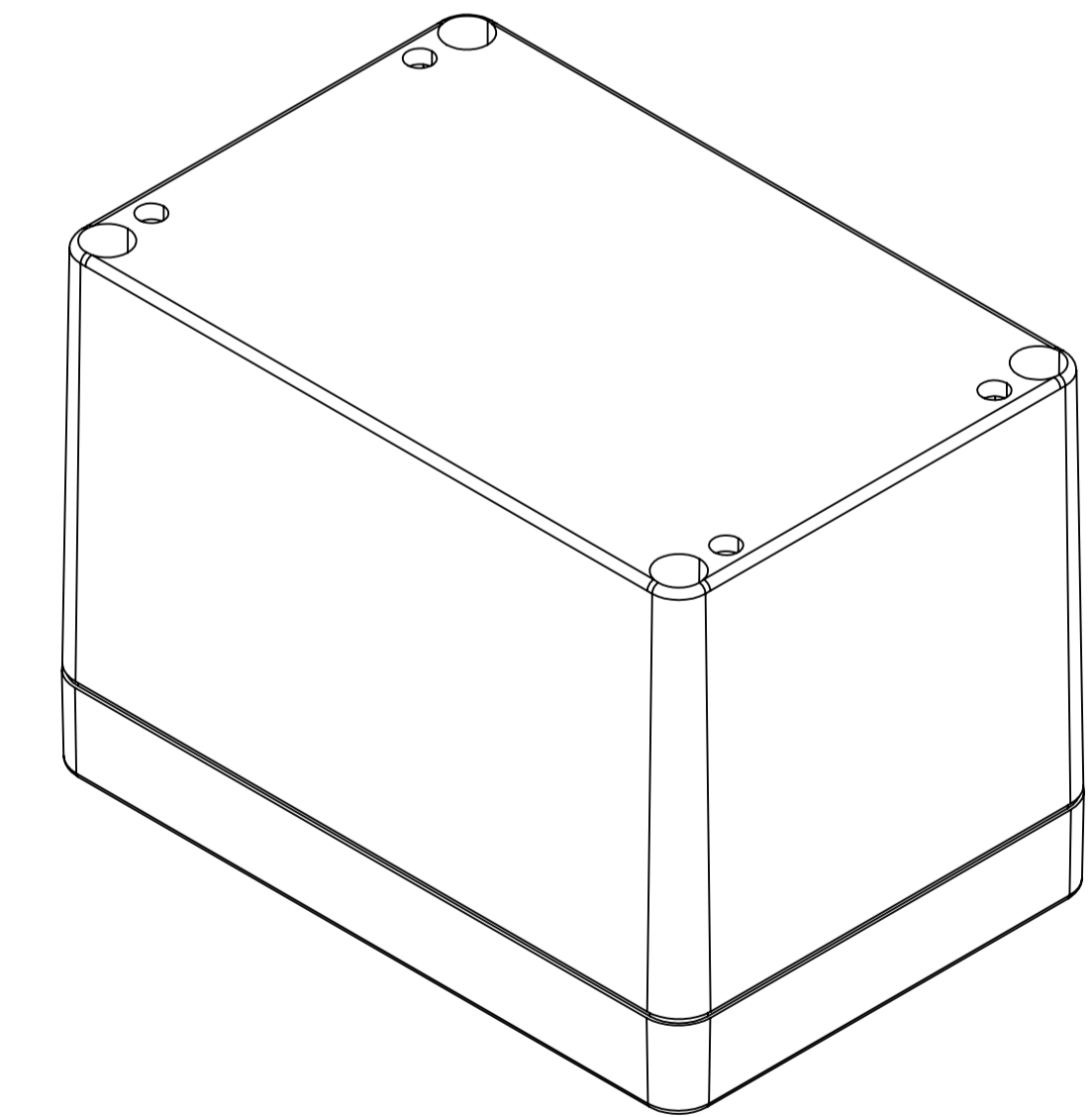
SURFACE-17



SURFACE-16



SURFACE-14



SURFACE-18

REV. NO.	DATE	REVISED BY	DESCRIPTION OF CHANGE
www.altinkaya.com			
Customer Name:		Customer Ref.:	
Altinkaya Ref.:		Part Name: SE-216-0-0	
DRAWN	NAME	DATE	Drawn From:
CHECKED	Y. YESLOZ	7.06.2024	Material:
DIMENSIONAL TOLERANCES UNLESS OTHERWISE SPECIFIED:			Weight:
(mm)	±0.1	±0.1	±0.2
	±0.1	±0.2	±0.3
		±0.5	
SCALE: 1:1			UNIT: mm
Dimension(mm)			Dimension(mm)
m(medium)			m(medium)
SHEET 2 OF 2			