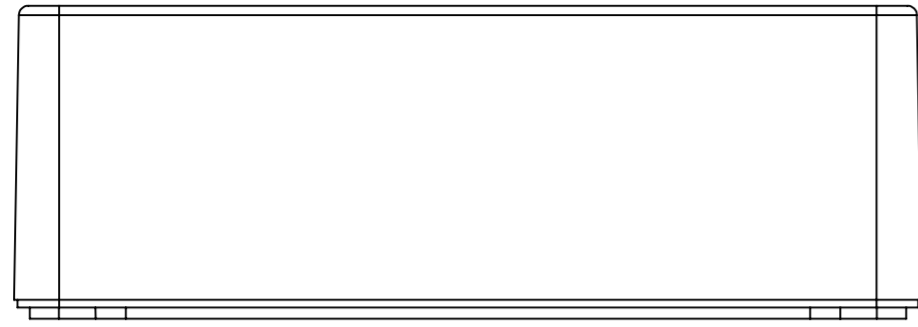
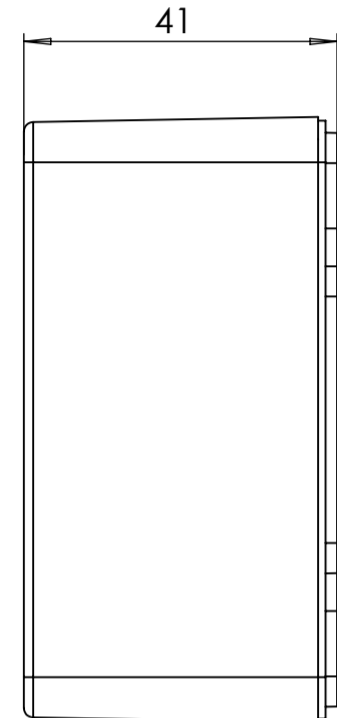


BASE: 6 SURFACE



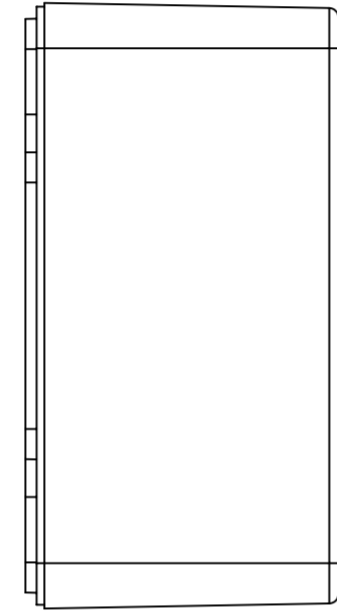
SURFACE-1



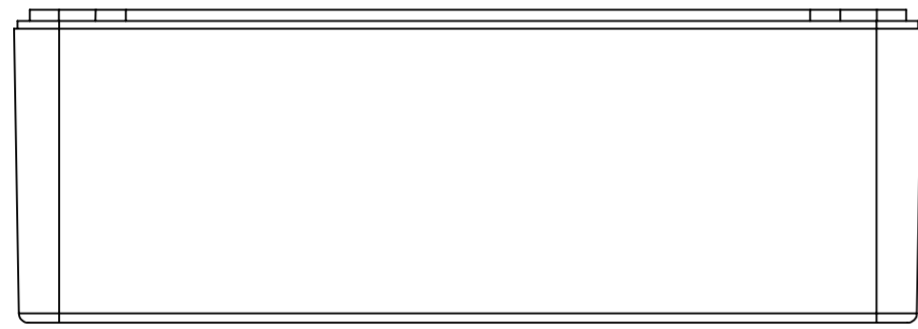
SURFACE-3



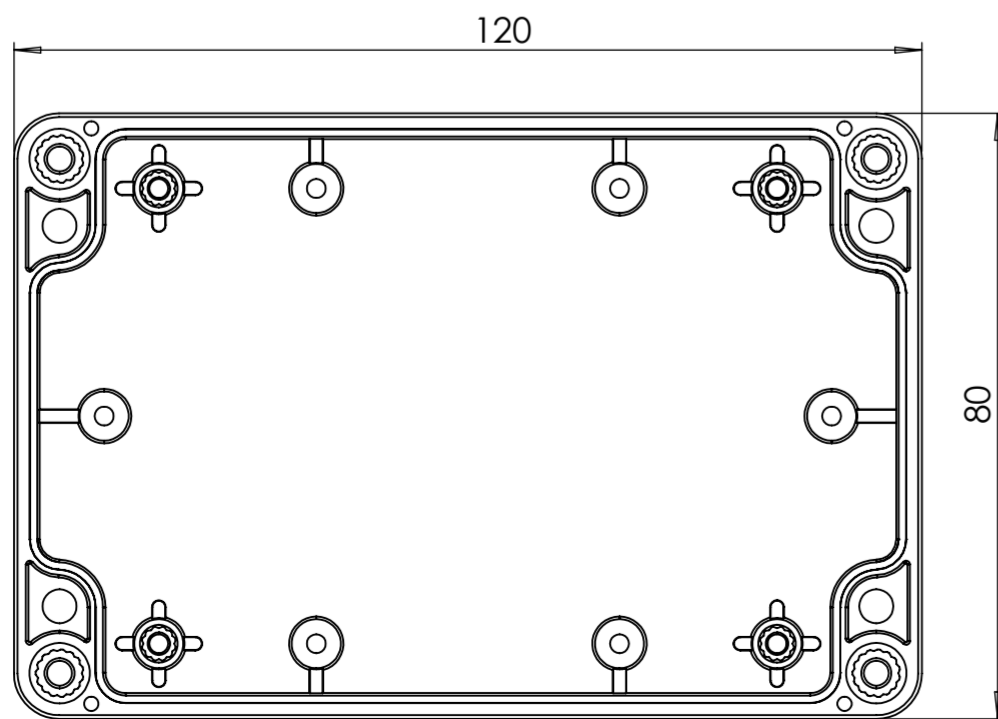
SURFACE-4



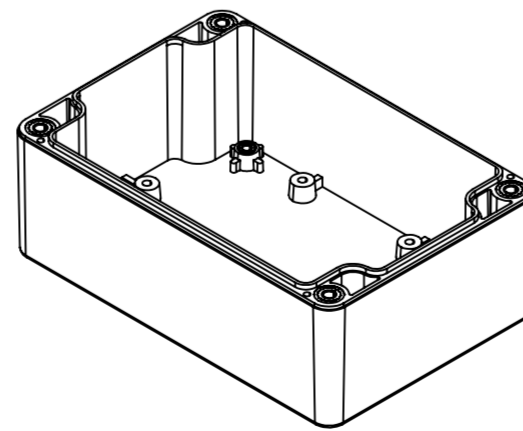
SURFACE-5



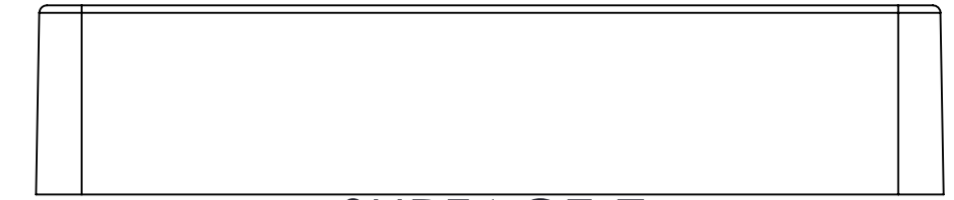
SURFACE-2



SURFACE-6 (INSIDE)



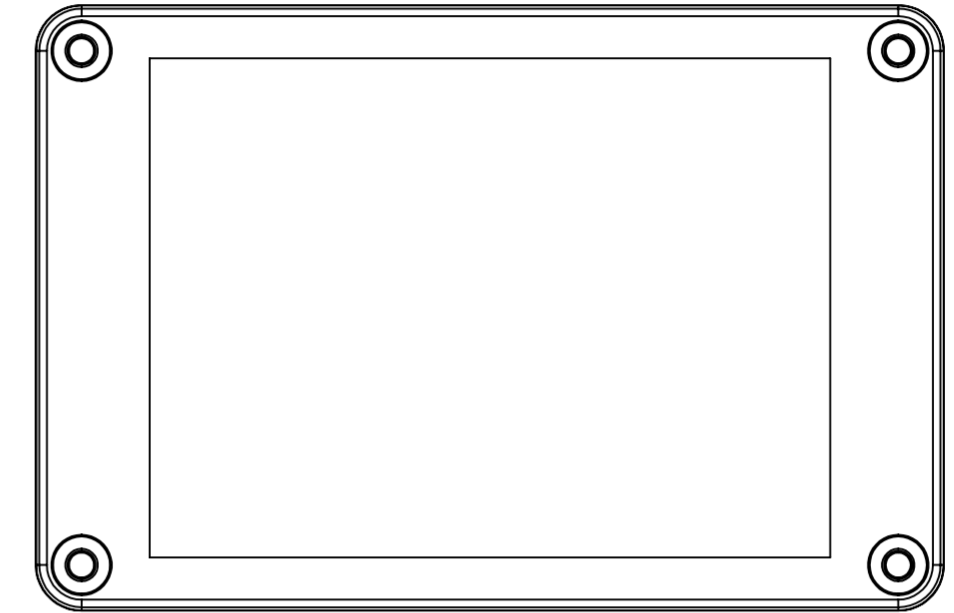
COVER: 6 SURFACE



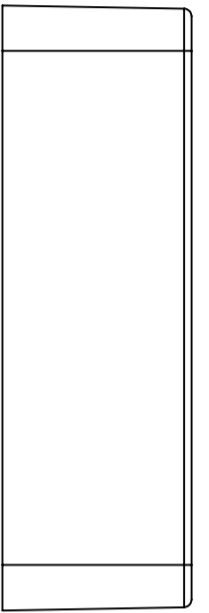
SURFACE-7



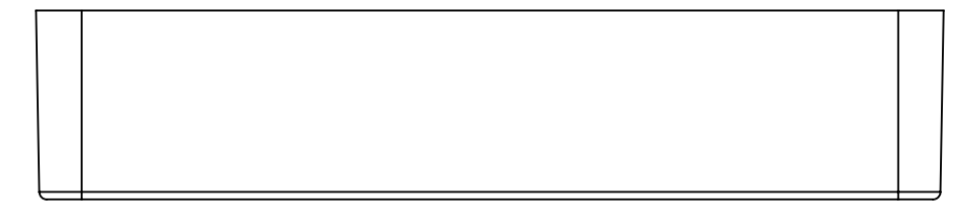
SURFACE-9



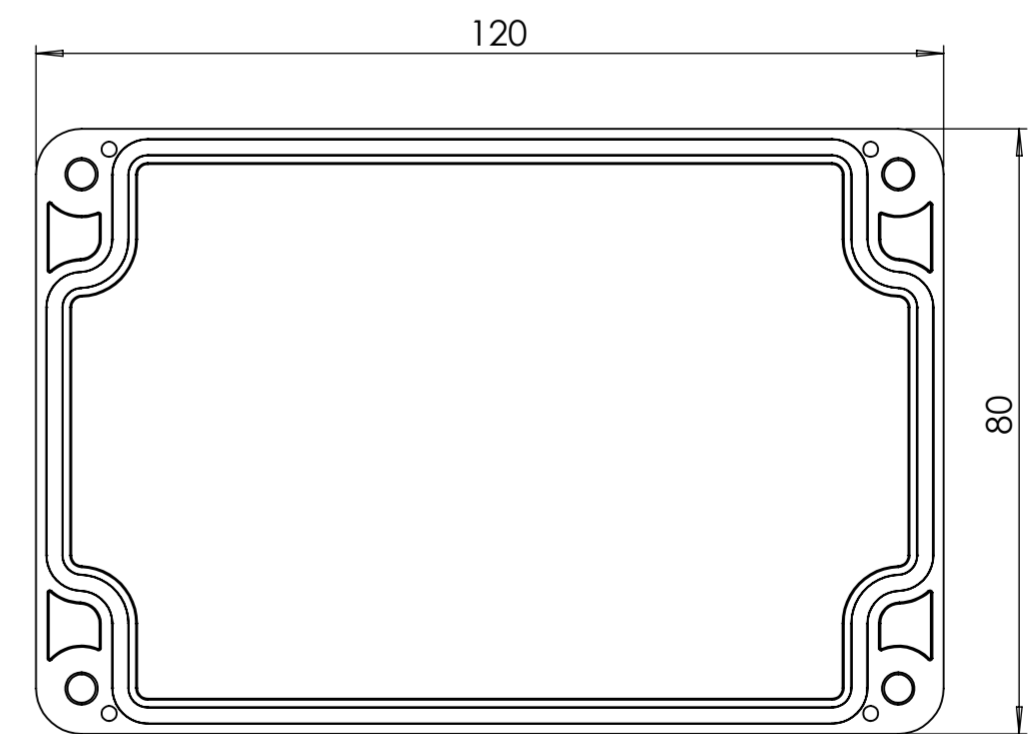
SURFACE-11



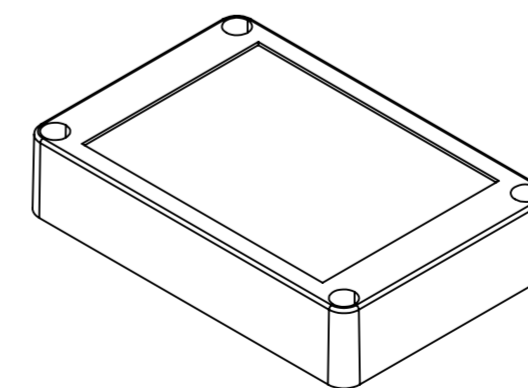
SURFACE-10



SURFACE-8



SURFACE-12 (INSIDE)

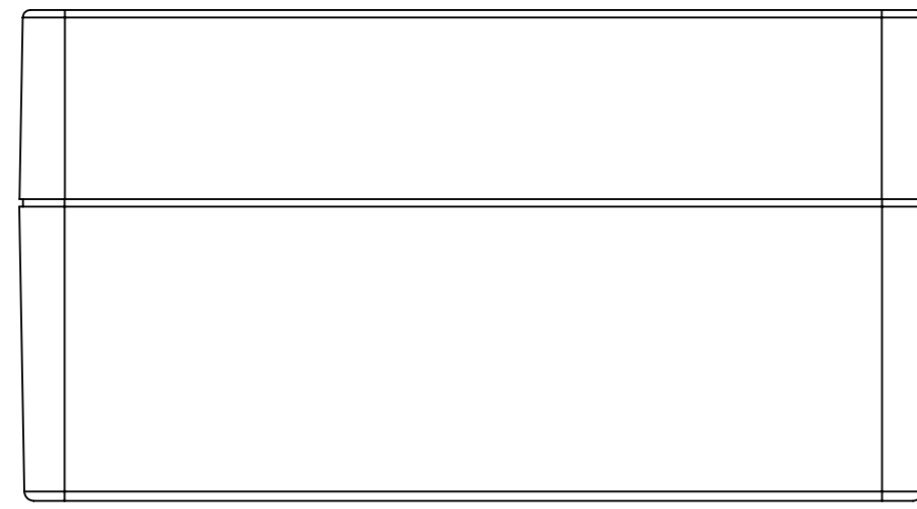


REV. NO	DATE	REVISED BY	DESCRIPTION OF CHANGE
ALTINKAYA Electronic Enclosures & Components			
Customer Name:		Customer Ref.:	
Allinkaya Ref.:		Part Name: SE-215-0-0	
DRAWN	NAME	DATE	Drawn From:
CHECKED	Y.YEL	4.06.2024	Material:
DIMENSIONAL TOLERANCES UNLESS OTHERWISE SPECIFIED (EN 2148)			Weight:
	0,5-3mm	3-6mm	6-30mm
	±0,1	±0,1	±0,2
			±0,3
			±0,5
			m (medium)

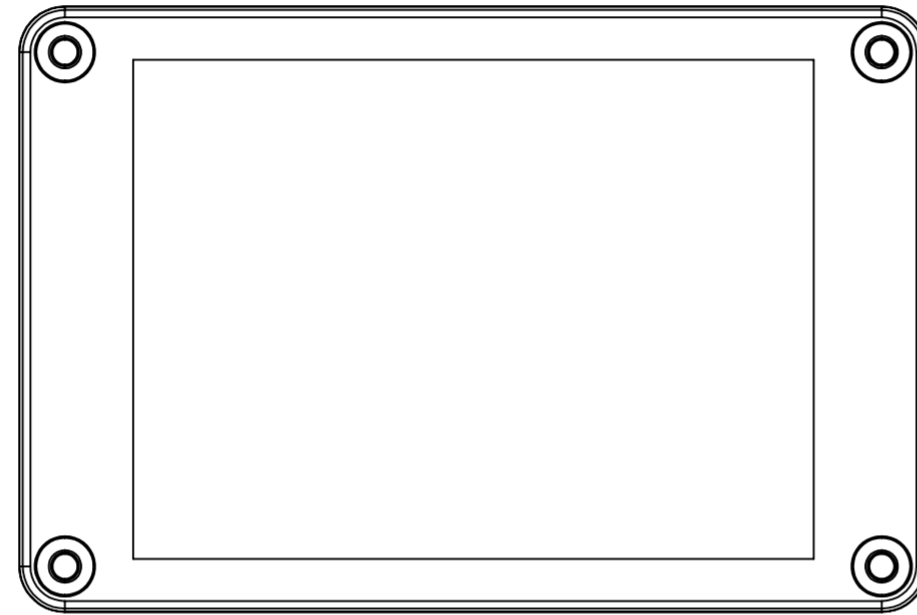
SCALE: 1:1

SHEET 1 OF 2

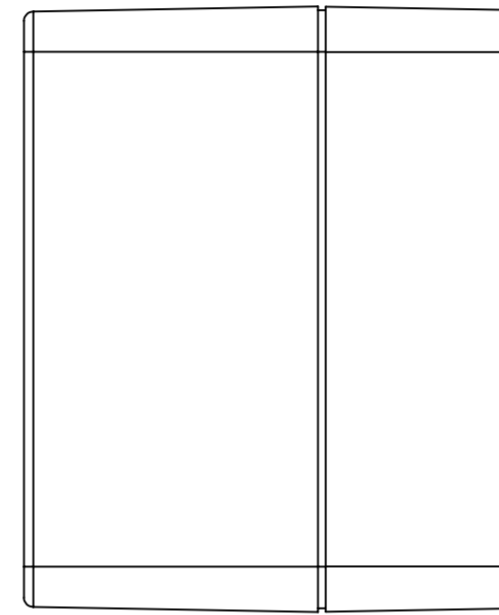
SE-215 IF MACHINED TOGETHER



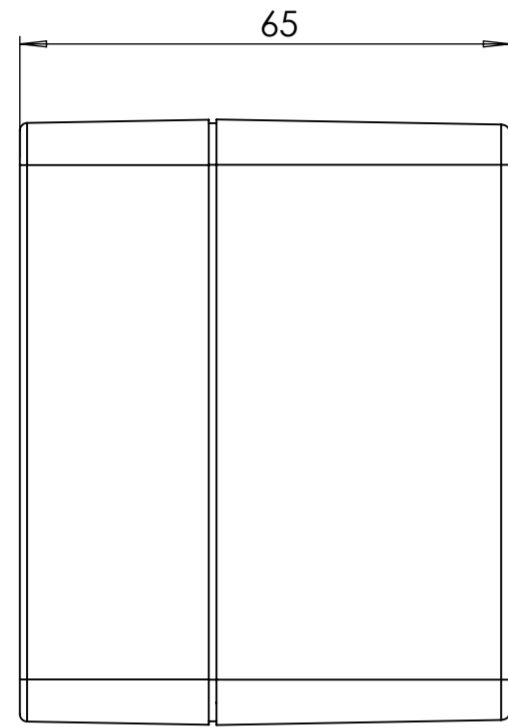
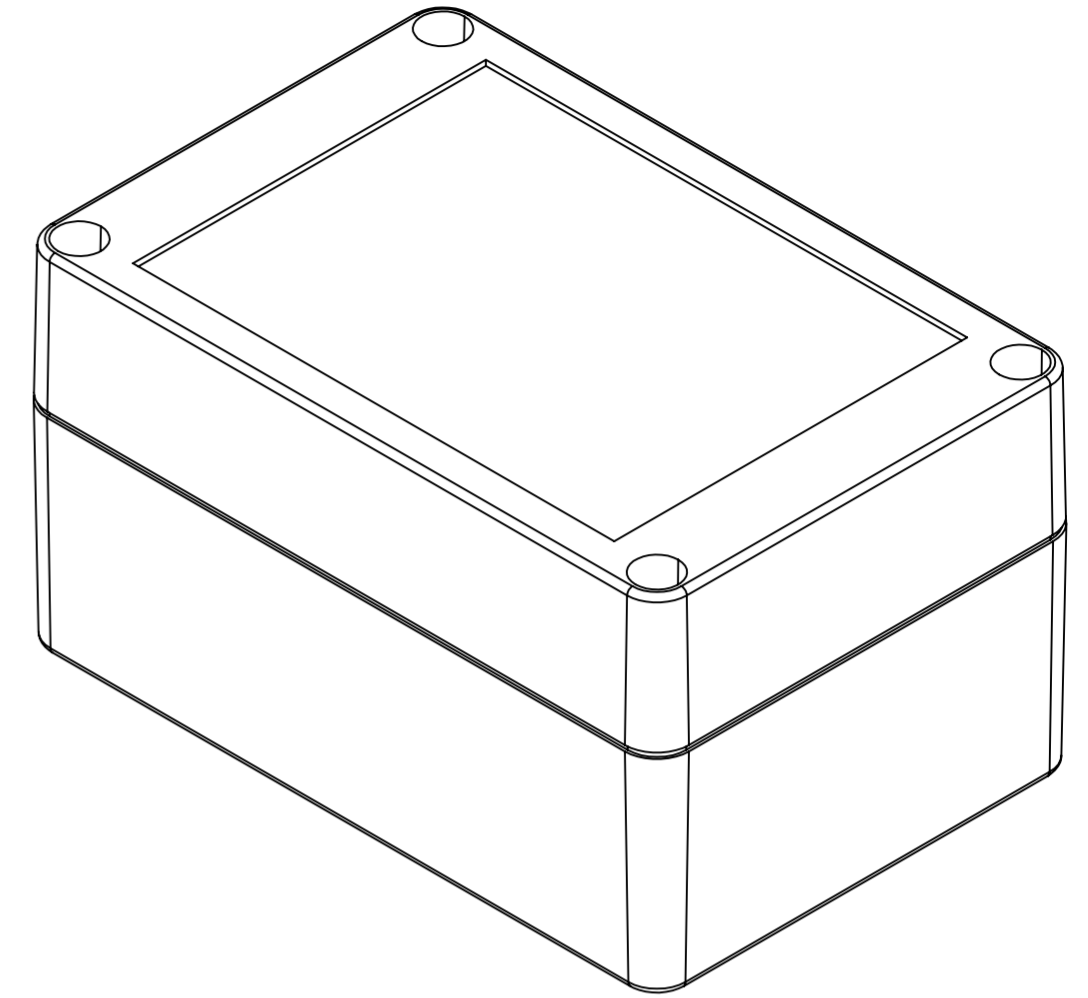
SURFACE-13



SURFACE-17



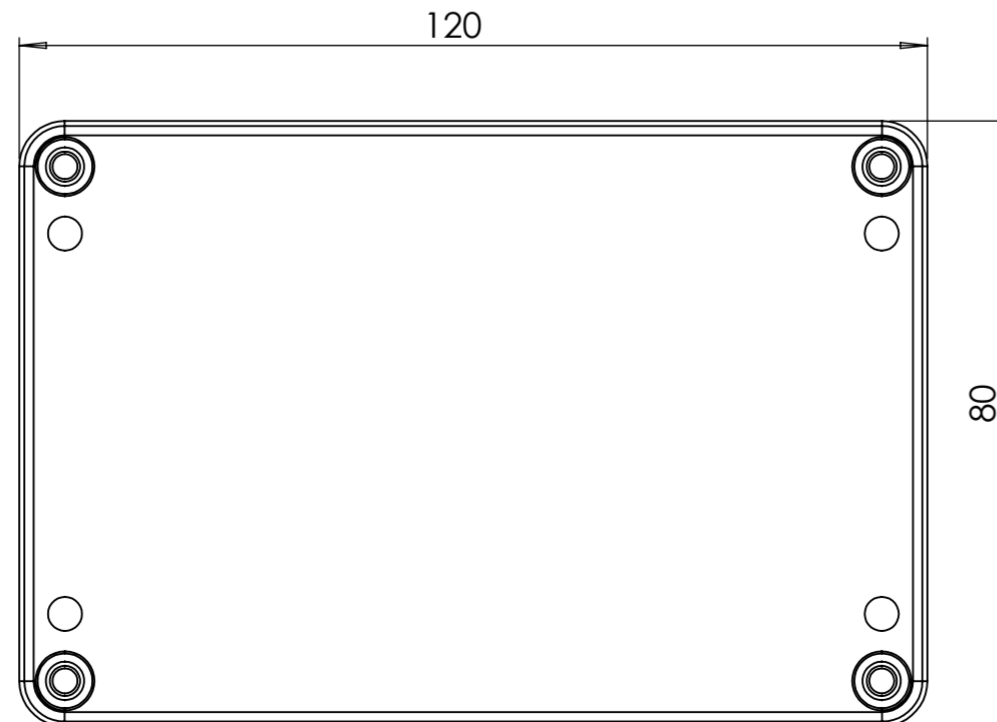
SURFACE-16



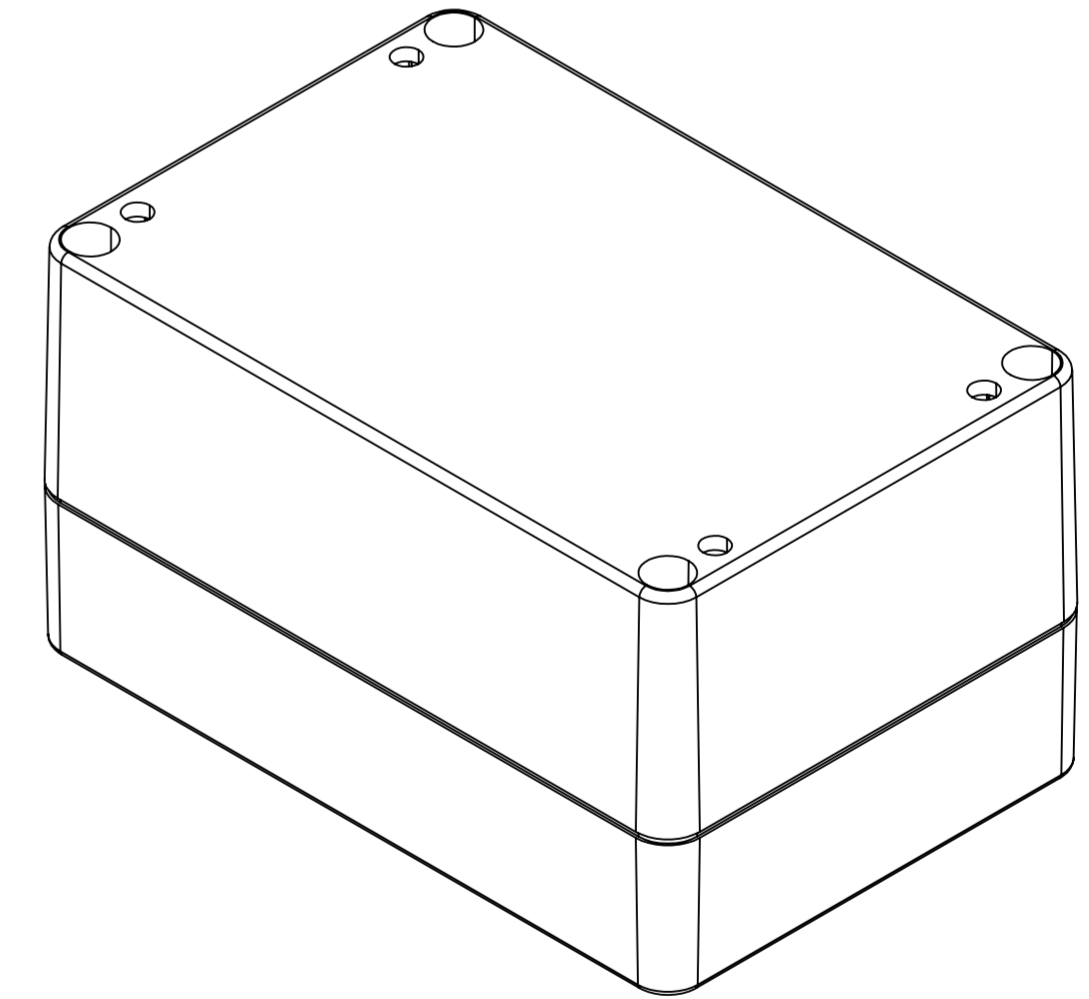
SURFACE-15




SURFACE-14



SURFACE-18



REV. NO	DATE	REVISED BY	DESCRIPTION OF CHANGE
			www.altinkaya.com
Customer Name:		Customer Ref.:	
Allinkaya Ref.:		Part Name: SE-215-0-0	
DRAWN	NAME	DATE	Drawn From:
CHECKED	Y.YEL	4.06.2024	Weight:
<small>DIMENSIONAL TOLERANCES UNLESS OTHERWISE SPECIFIED (EN 2146)</small>			
	0,5-3mm	3-6mm	6-30mm
	±0,1	±0,1	±0,2
			±0,3
			±0,5
			mm (medium)