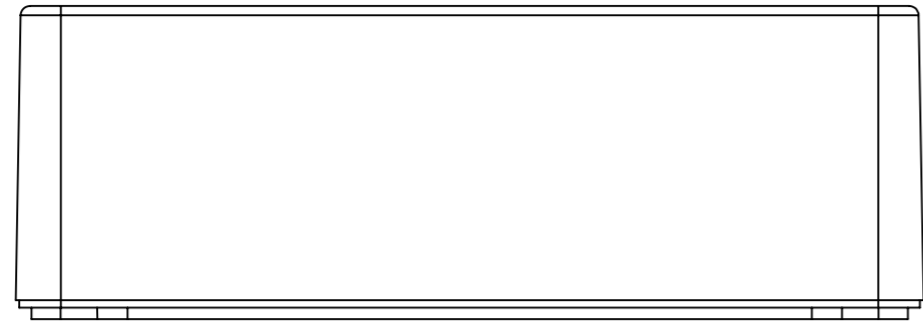
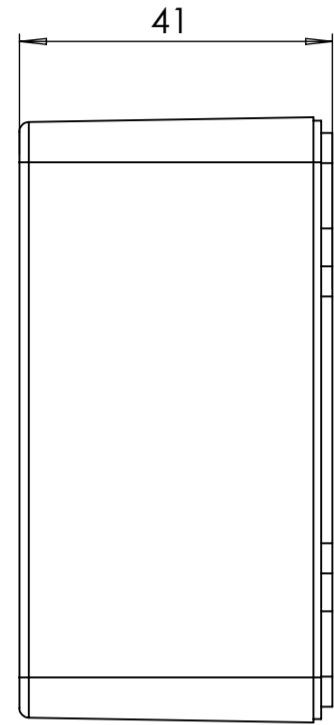


BASE: 6 SURFACE



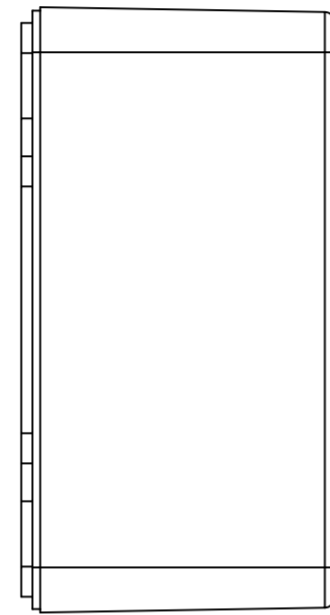
SURFACE-1



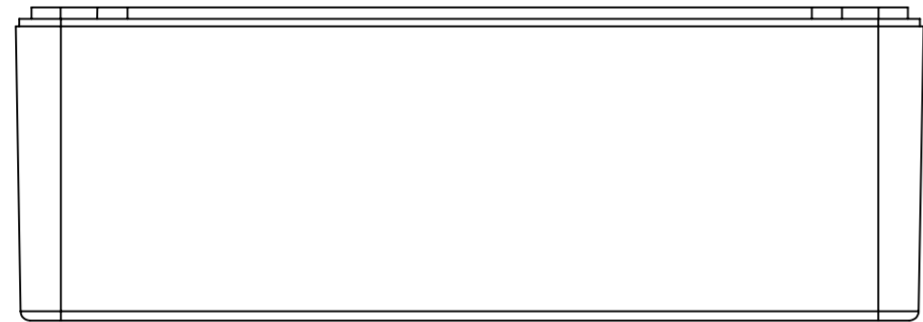
SURFACE-3



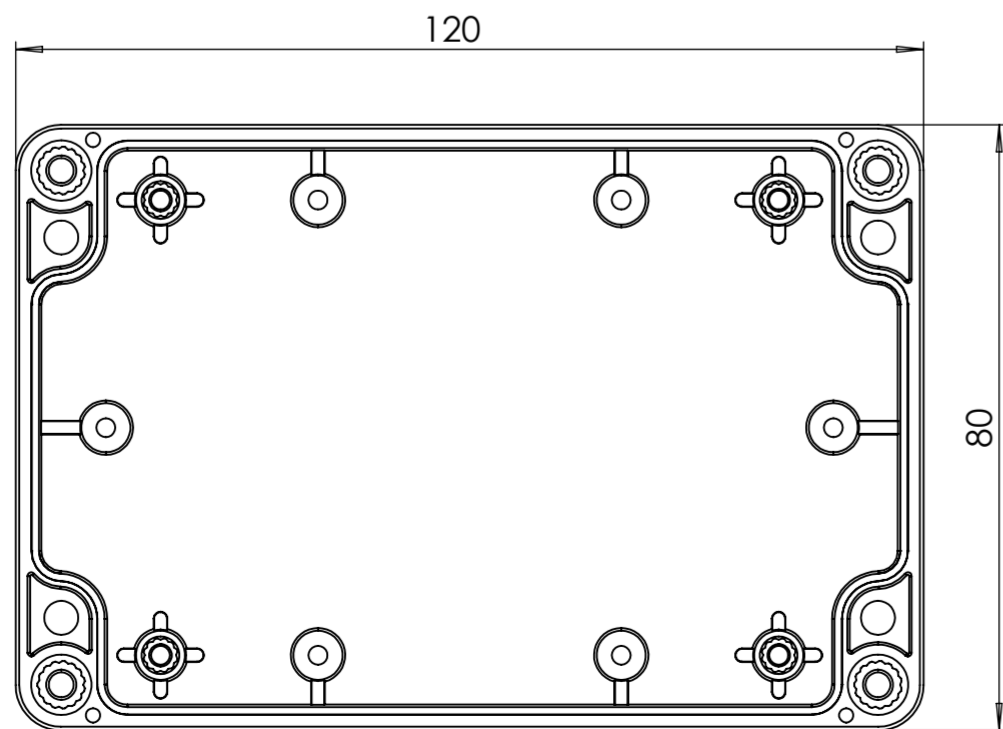
SURFACE-5



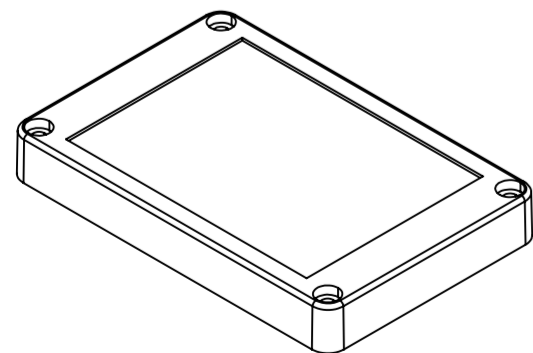
SURFACE-2



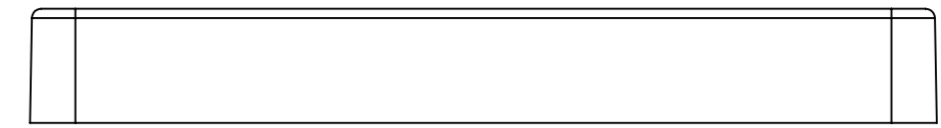
SURFACE-4



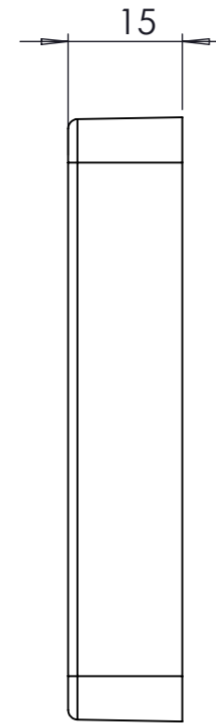
SURFACE-6 (INSIDE)



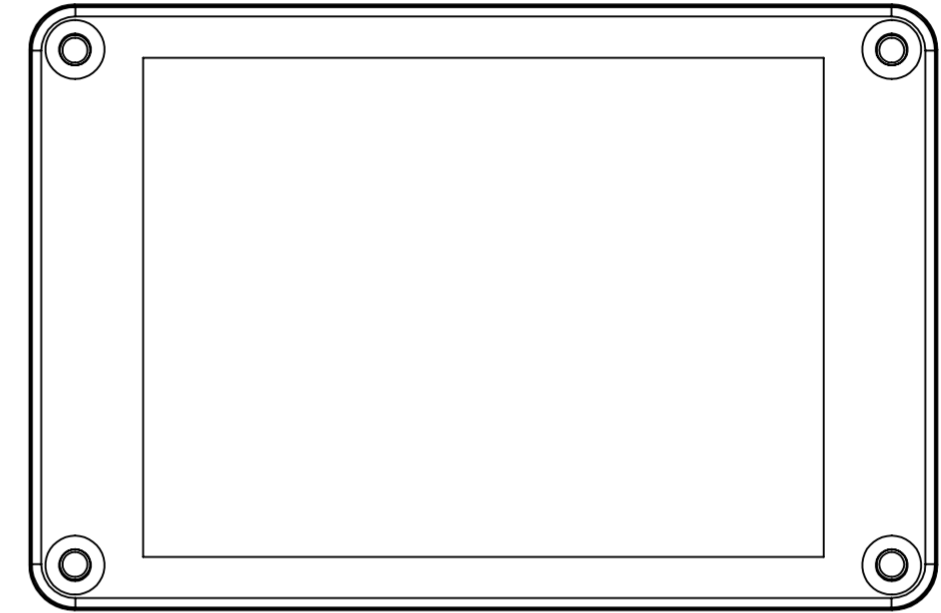
COVER: 6 SURFACE



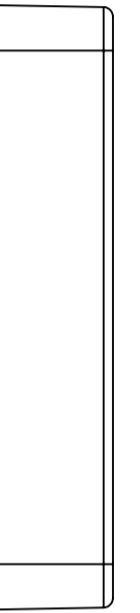
SURFACE-7



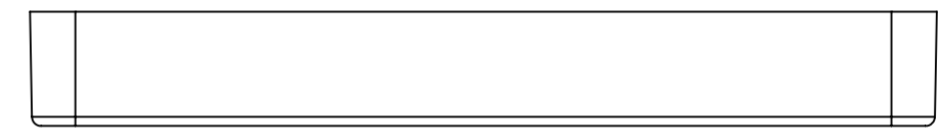
SURFACE-9



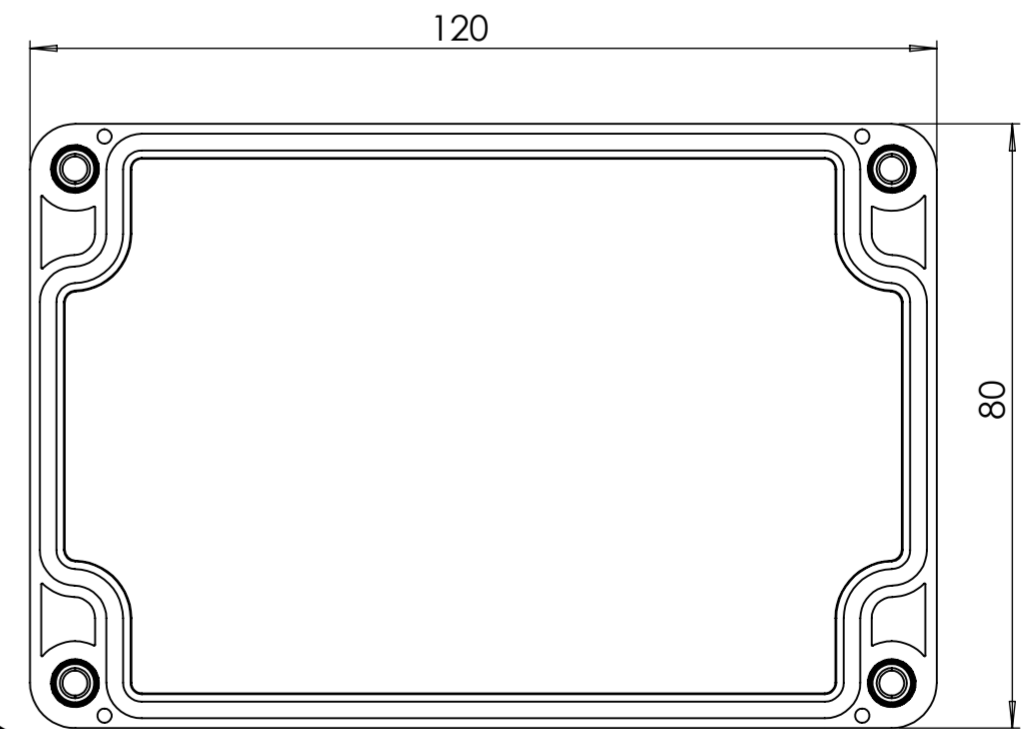
SURFACE-11



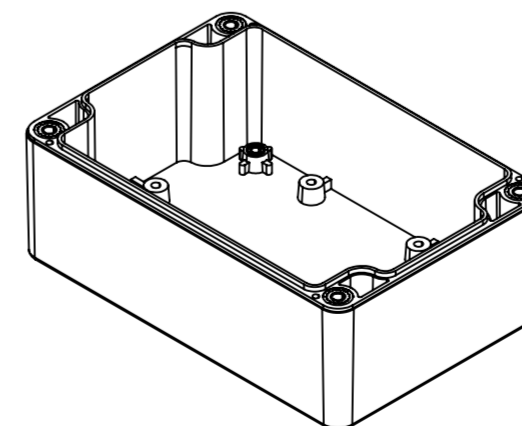
SURFACE-10




SURFACE-8



SURFACE-12 (INSIDE)



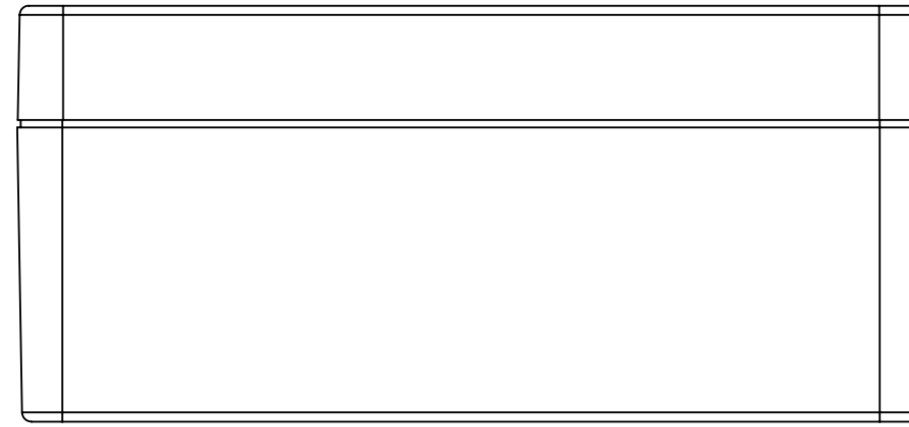
REV. NO	DATE	REVISED BY	DESCRIPTION OF CHANGE
			www.altinkaya.com
Customer Name:		Customer Ref.:	
Altinkaya Ref.:		Part Name: SE-214-0-0	
DRAWN	NAME	DATE	Drawn From:
CHECKED	Y.YEL	4.06.2024	Weight:
<small>DIMENSIONAL TOLERANCES (UNLESS OTHERWISE SPECIFIED) (EN 2148)</small>			
	0,5-3mm	3-6mm	6-30mm
	±0,1	±0,1	±0,2
			±0,3
			±0,5
			m (medium)

SCALE: 1:1

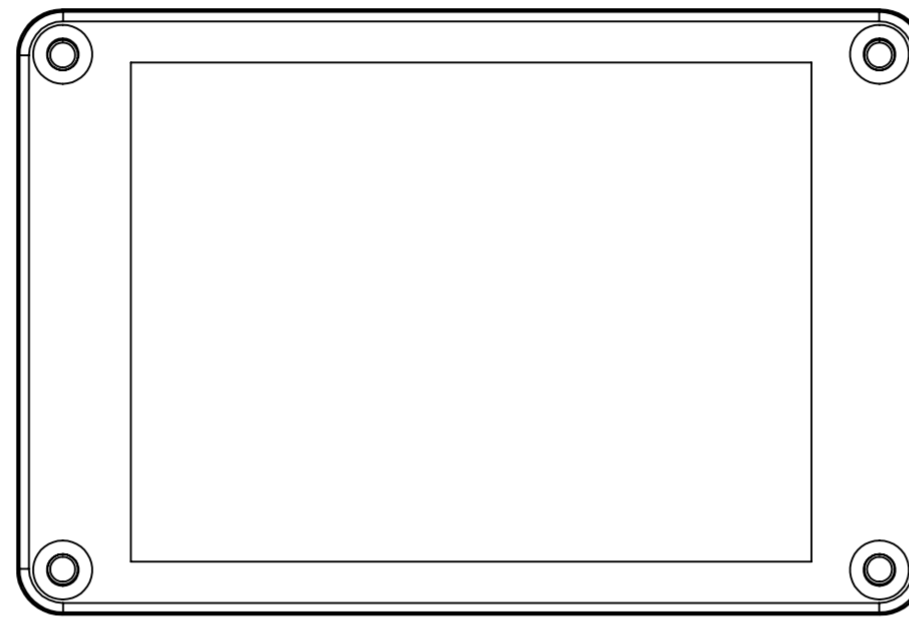
SHEET 1 OF 2

A2

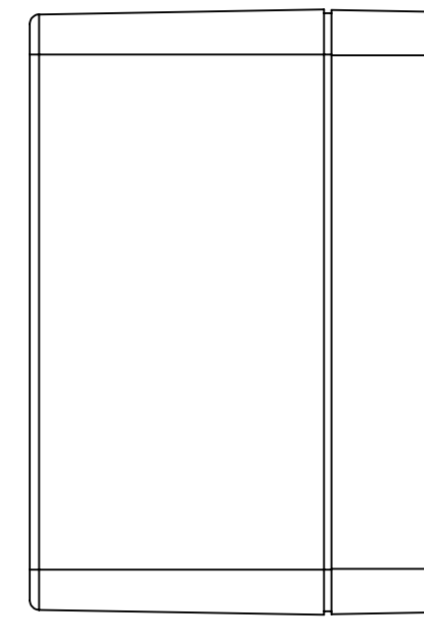
SE-214 IF MACHINED TOGETHER



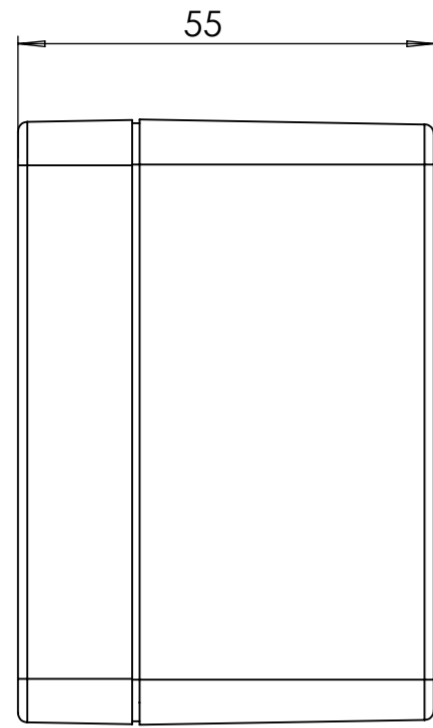
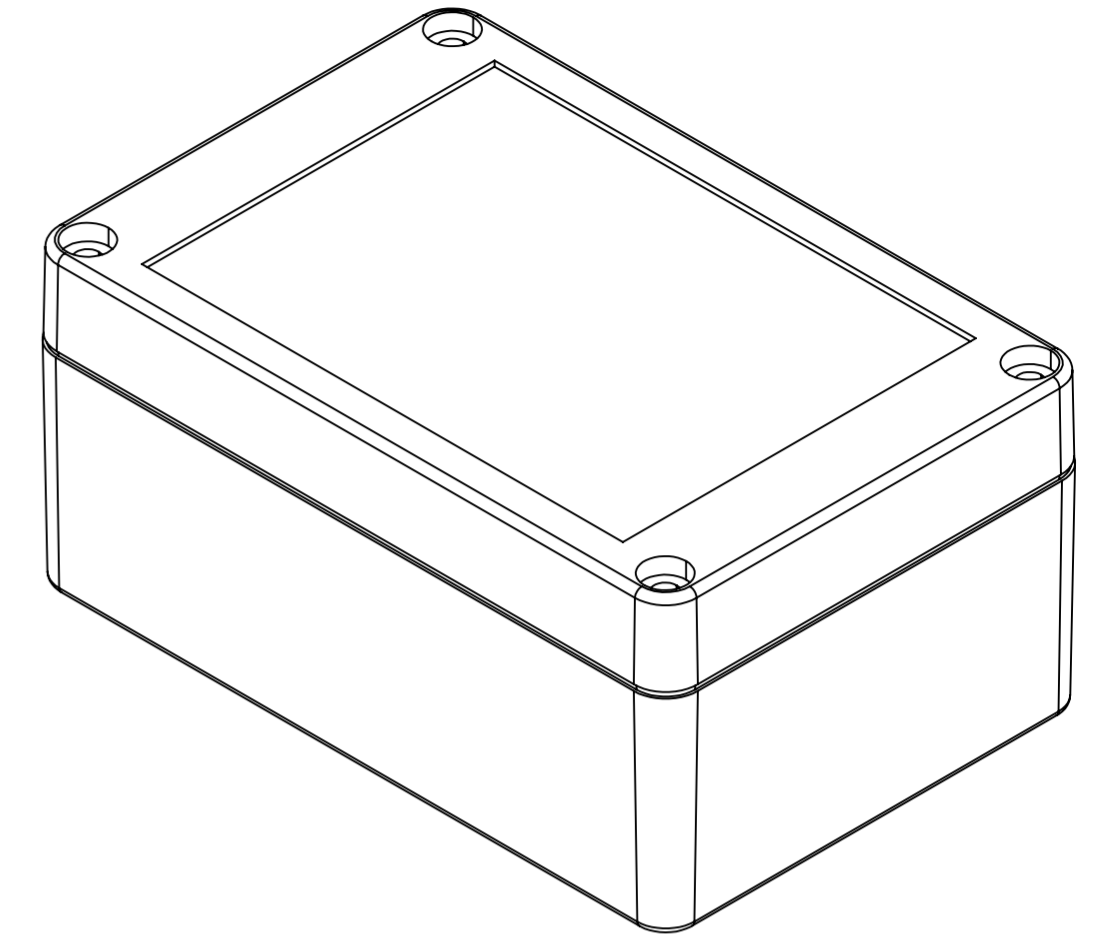
SURFACE-13



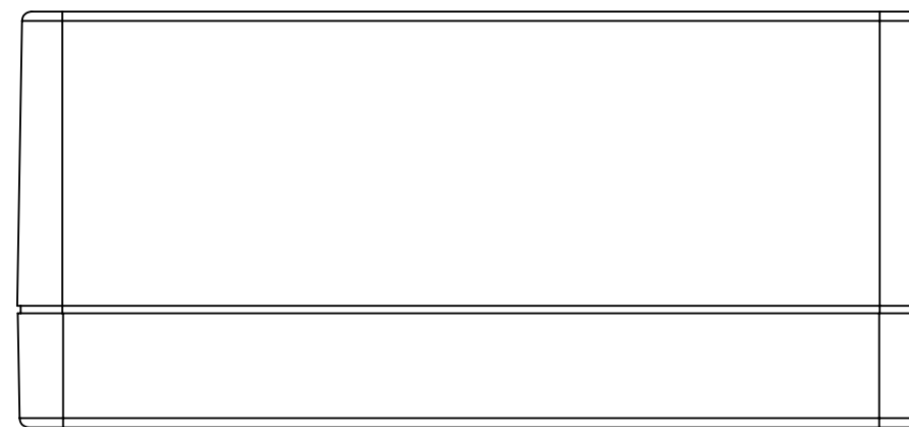
SURFACE-17



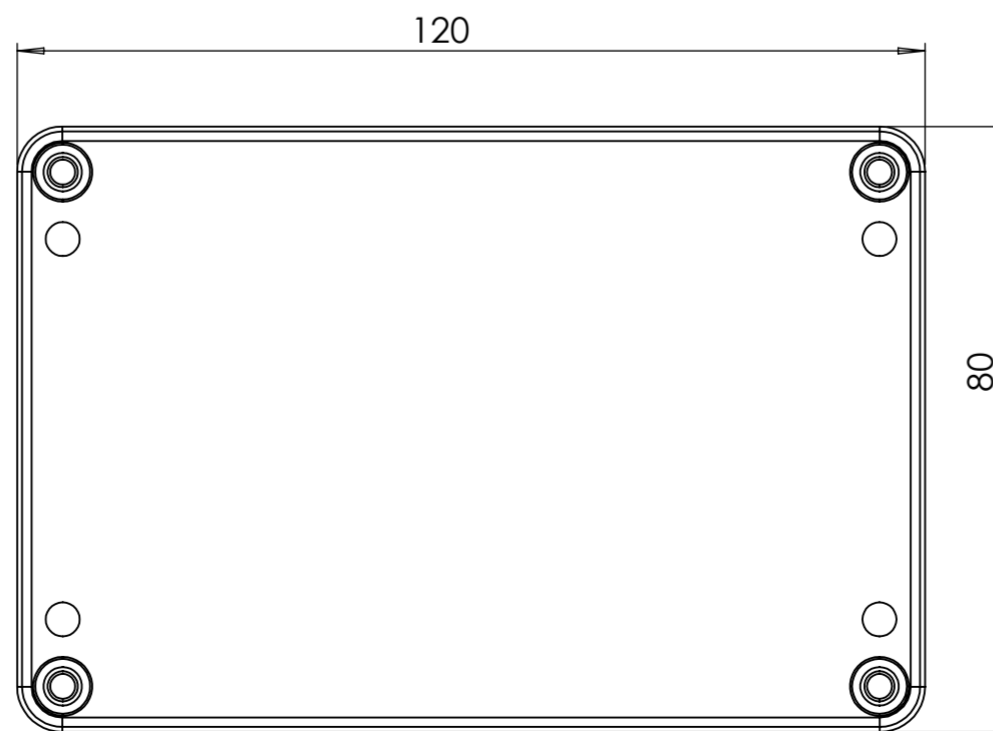
SURFACE-16



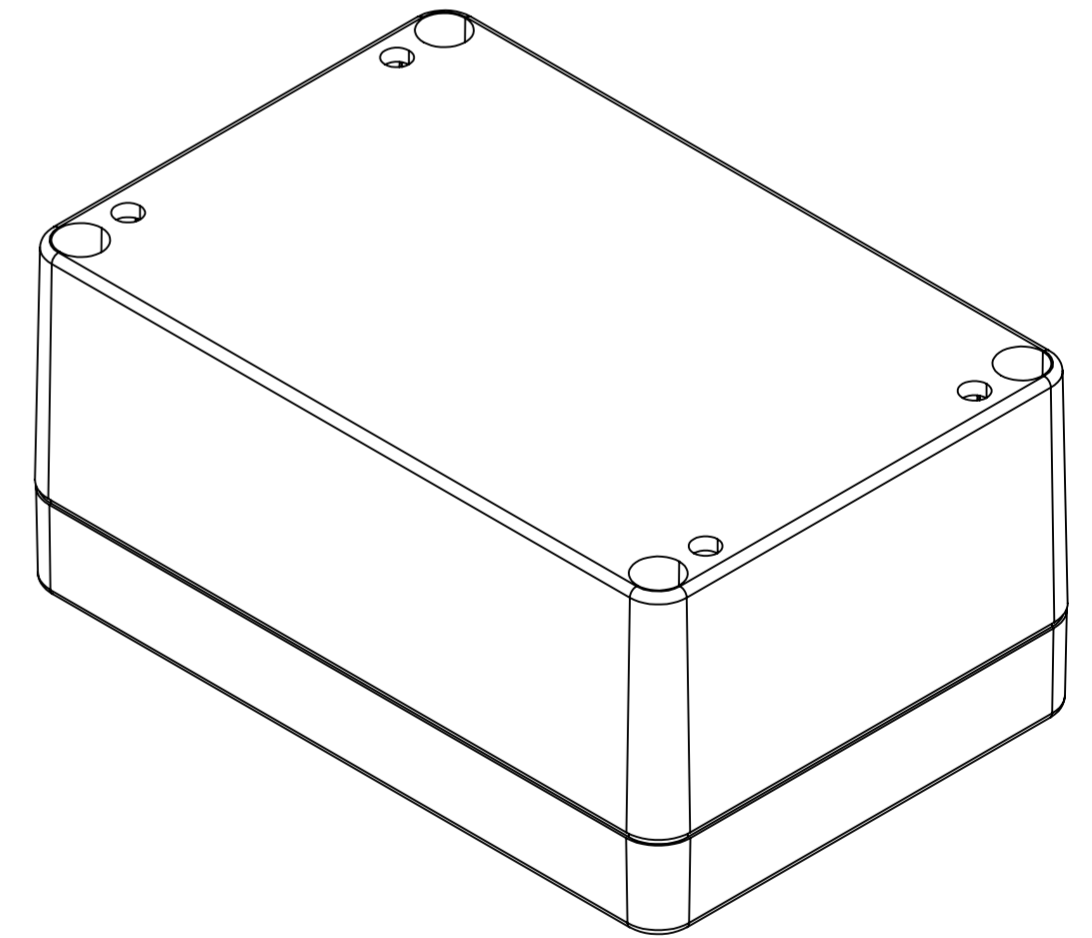
SURFACE-15




SURFACE-14



SURFACE-18



REV. NO	DATE	REVISED BY	DESCRIPTION OF CHANGE
			www.altinkaya.com
Customer Name:		Customer Ref.:	
Allinkaya Ref.:		Part Name: SE-214-0-0	
DRAWN	NAME	DATE	Drawn From:
CHECKED	Y.YEL	4.08.2024	Material:
DIMENSIONAL TOLERANCES UNLESS OTHERWISE SPECIFIED (DIN 7148)			Weight:
	±0.1	±0.1	±0.2
	±0.3	±0.3	±0.5
	m (medium)		

SCALE: 1:1

SHEET 2 OF 2

A2