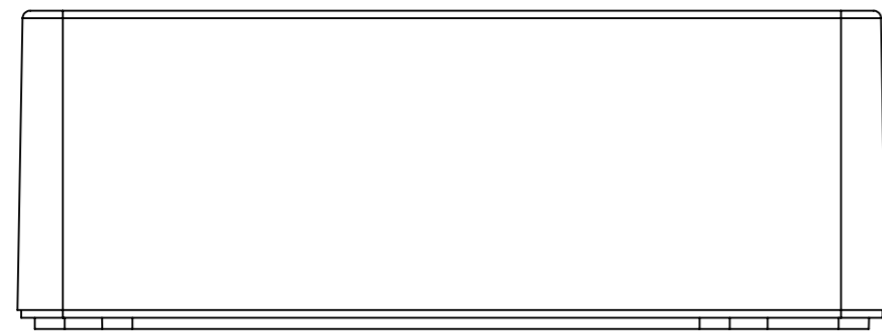
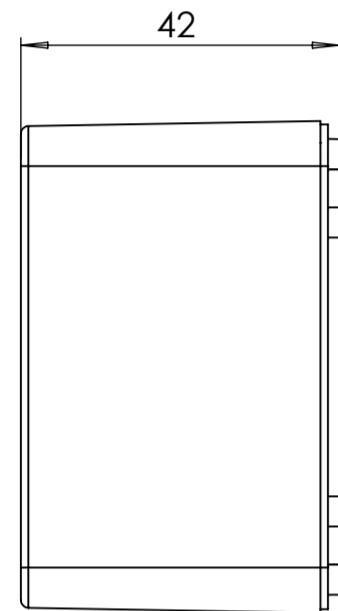


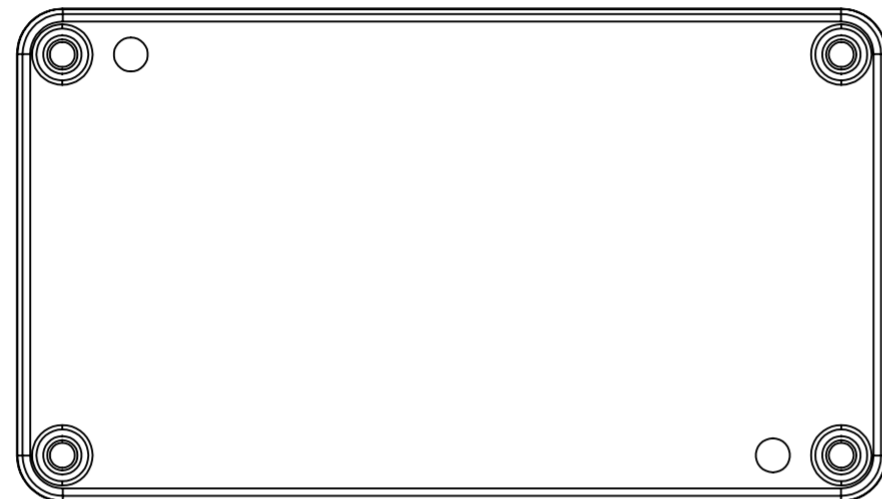
BASE: 6 SURFACE



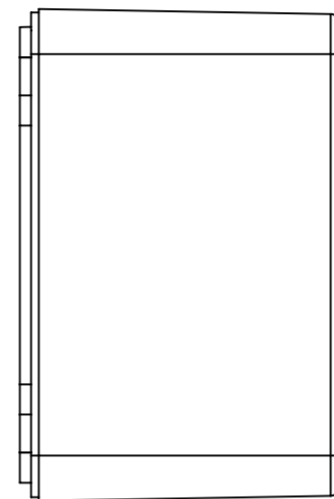
SURFACE-1



SURFACE-3



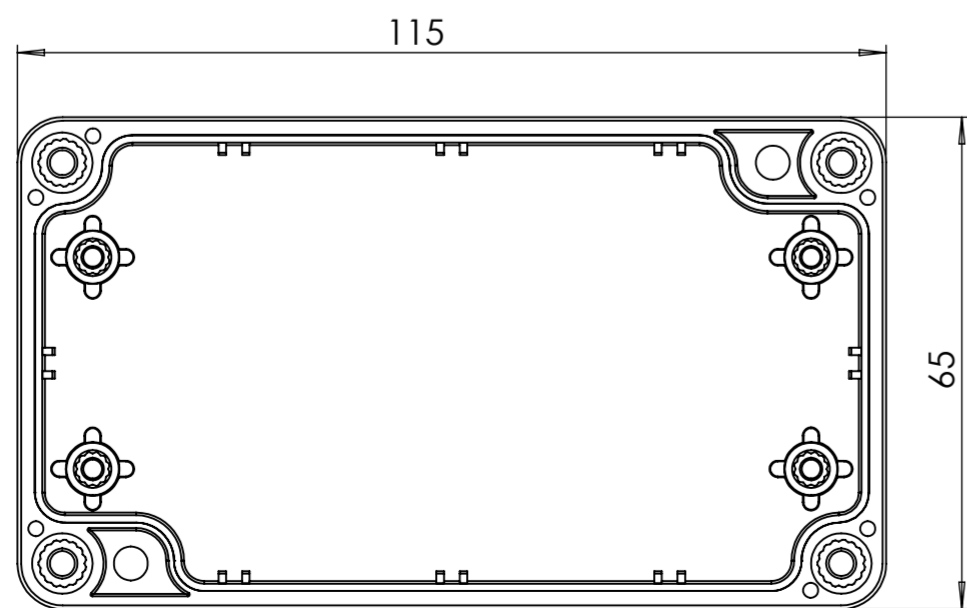
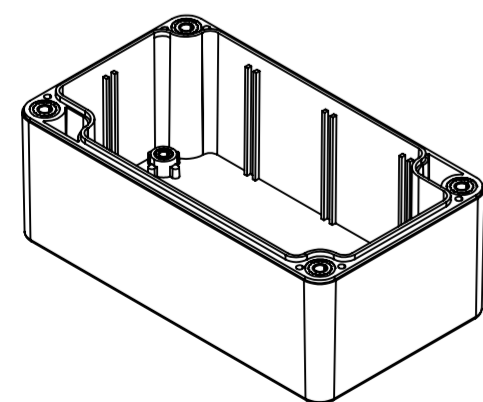
SURFACE-4



SURFACE-5

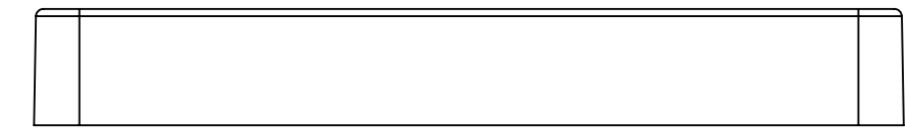


SURFACE-2

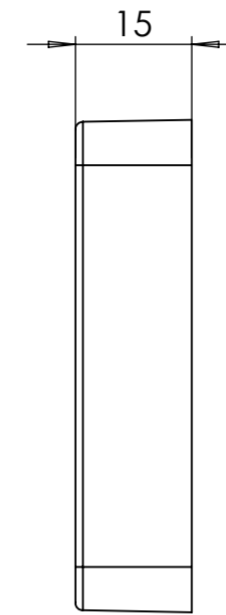


SURFACE-6 (INSIDE)

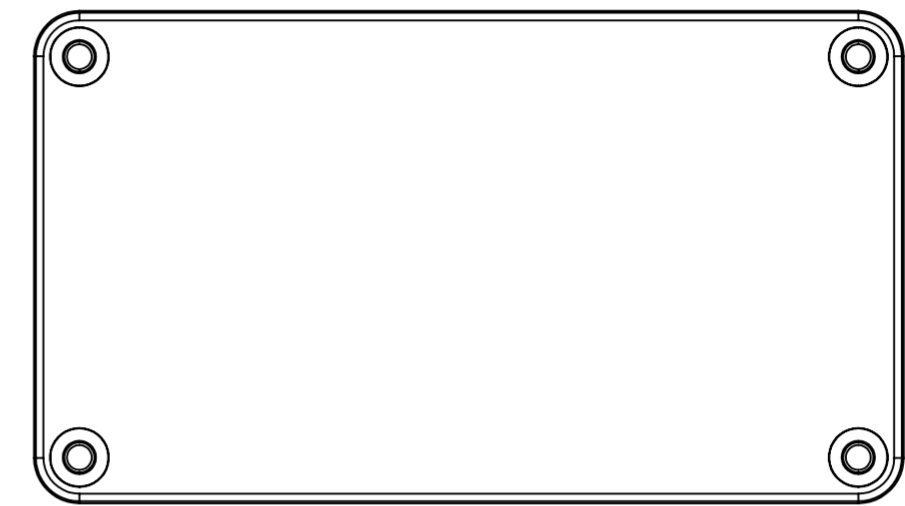
COVER: 6 SURFACE



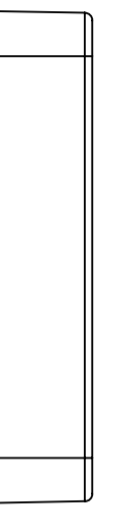
SURFACE-7



SURFACE-9



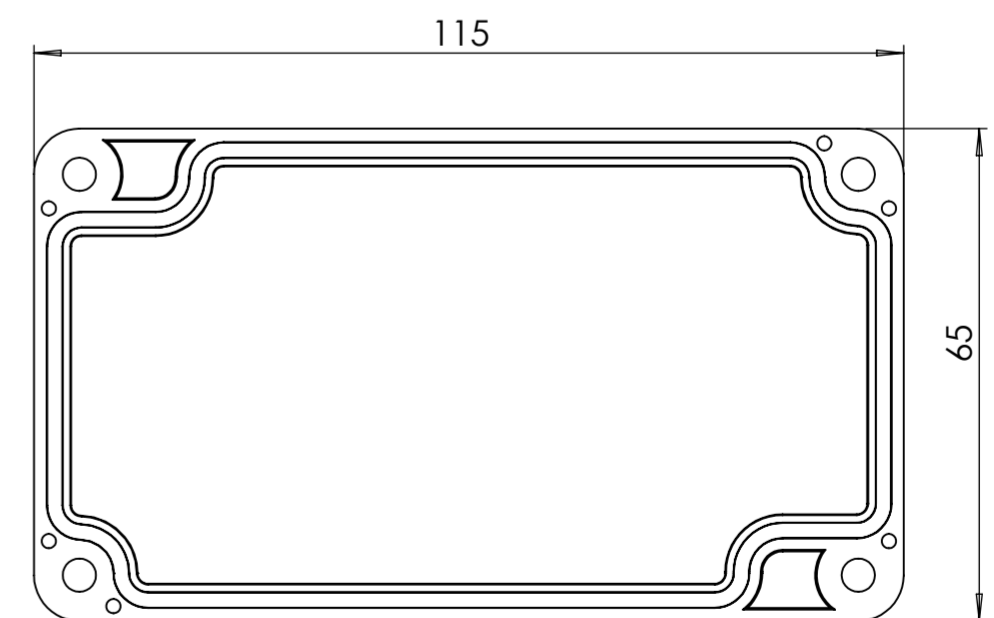
SURFACE-11



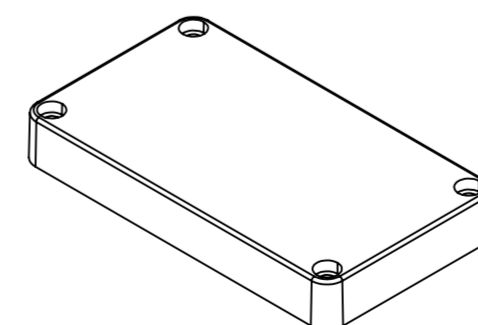
SURFACE-10




SURFACE-8

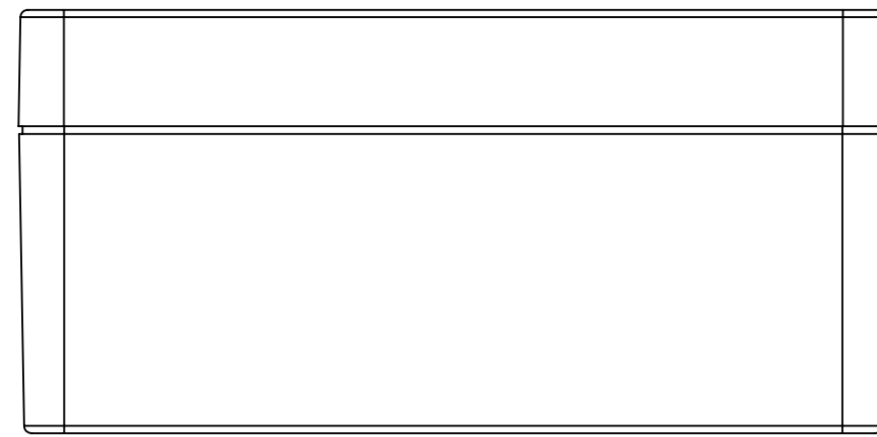


SURFACE-12 (INSIDE)

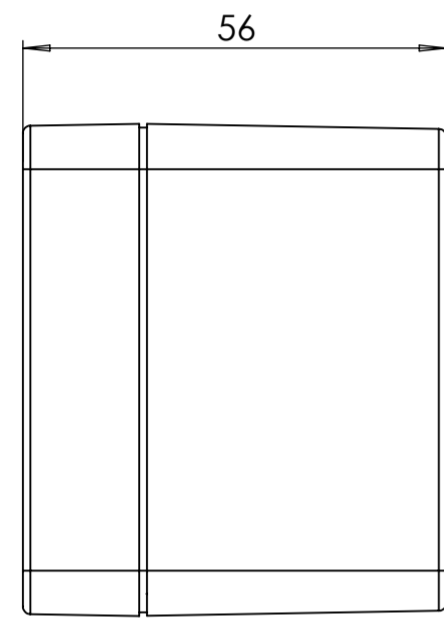


REV. NO	DATE	REVISED BY	DESCRIPTION OF CHANGE
 ALTINKAYA Electronic Enclosures & Components			www.altinkaya.com
Customer Name:		Customer Ref.:	
Altinkaya Ref.:		Part Name: SE-212-0-0	
DRAWN	NAME	DATE	Drawn From:
CHECKED	Y.YEL	4.06.2024	Material:
DIMENSIONAL TOLERANCES (UNLESS OTHERWISE SPECIFIED) (EN 27468)			Weight:
	0,5-3mm	3-6mm	6-30mm
	±0,1	±0,1	±0,2
			±0,3
			±0,5
			m (medium)

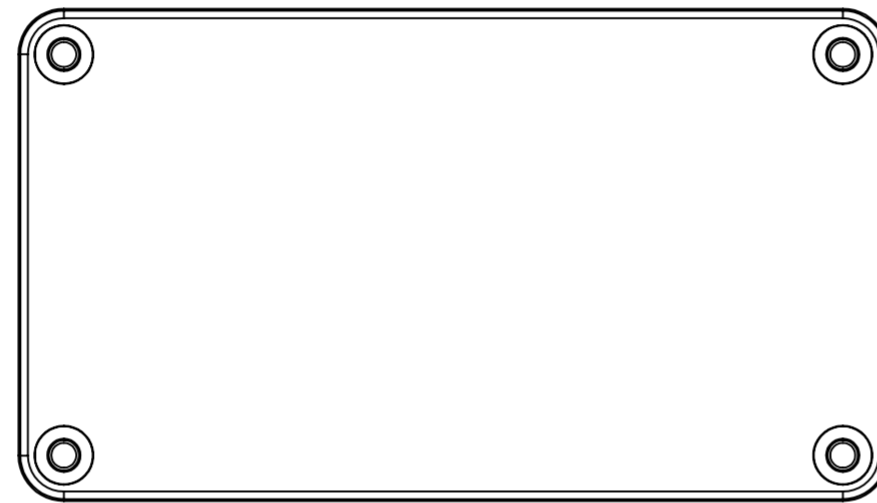
SE-212 IF MACHINED TOGETHER



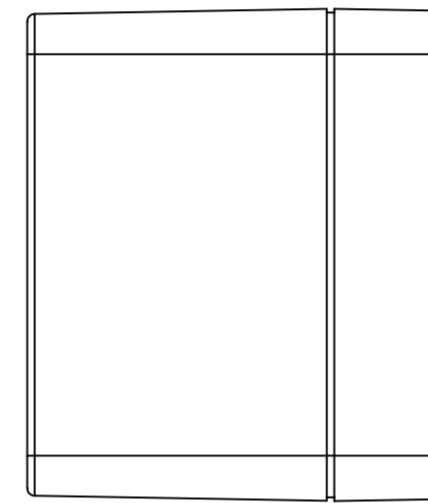
SURFACE-13



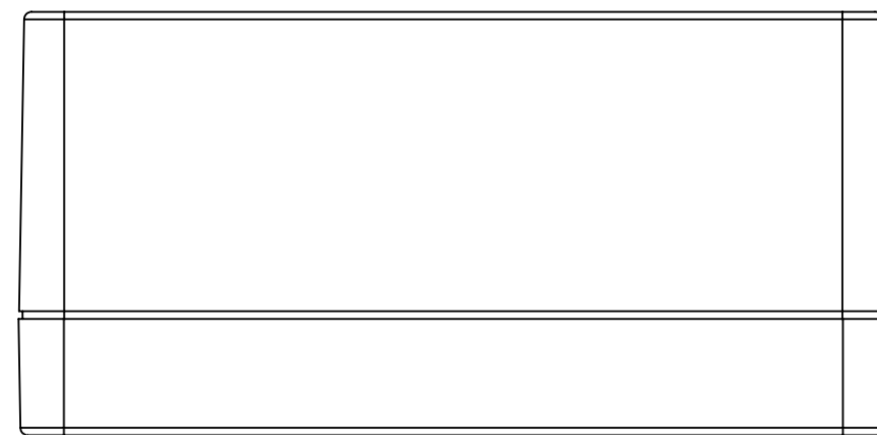
SURFACE-15



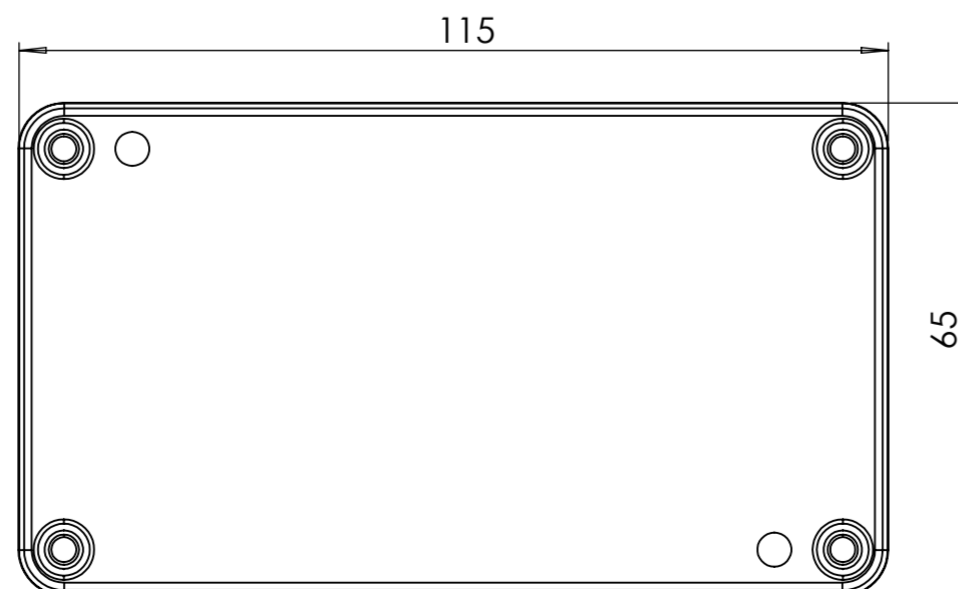
SURFACE-17



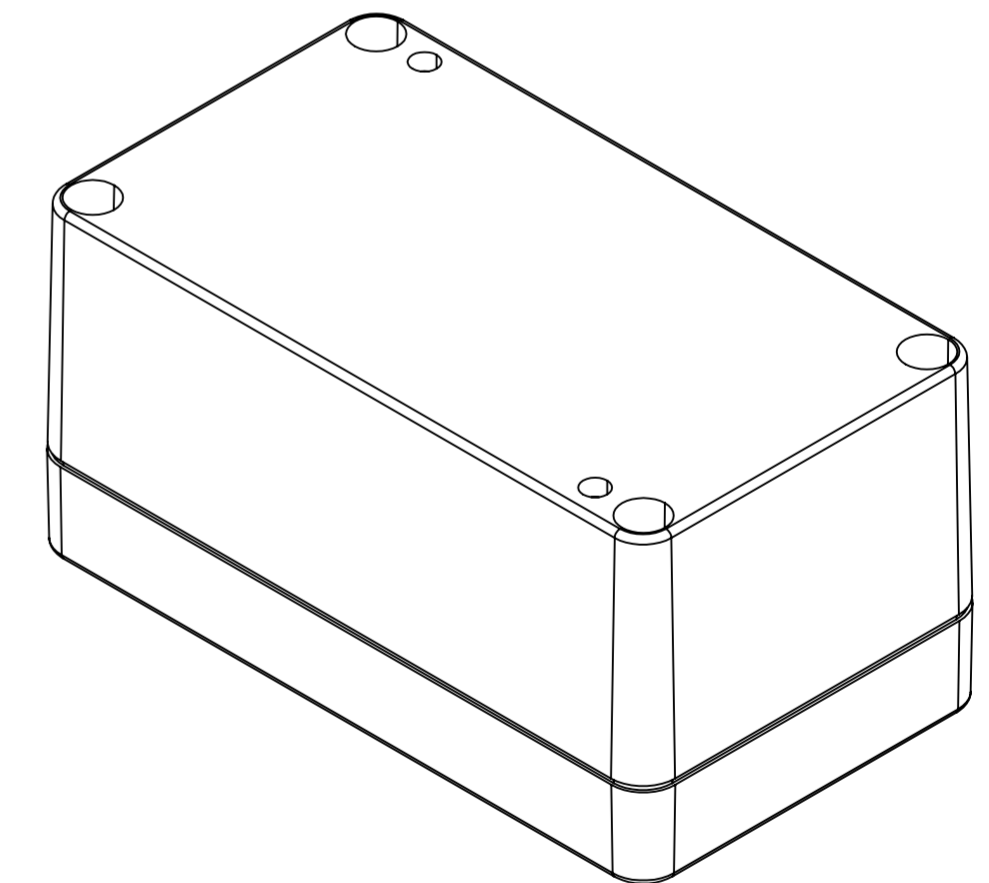
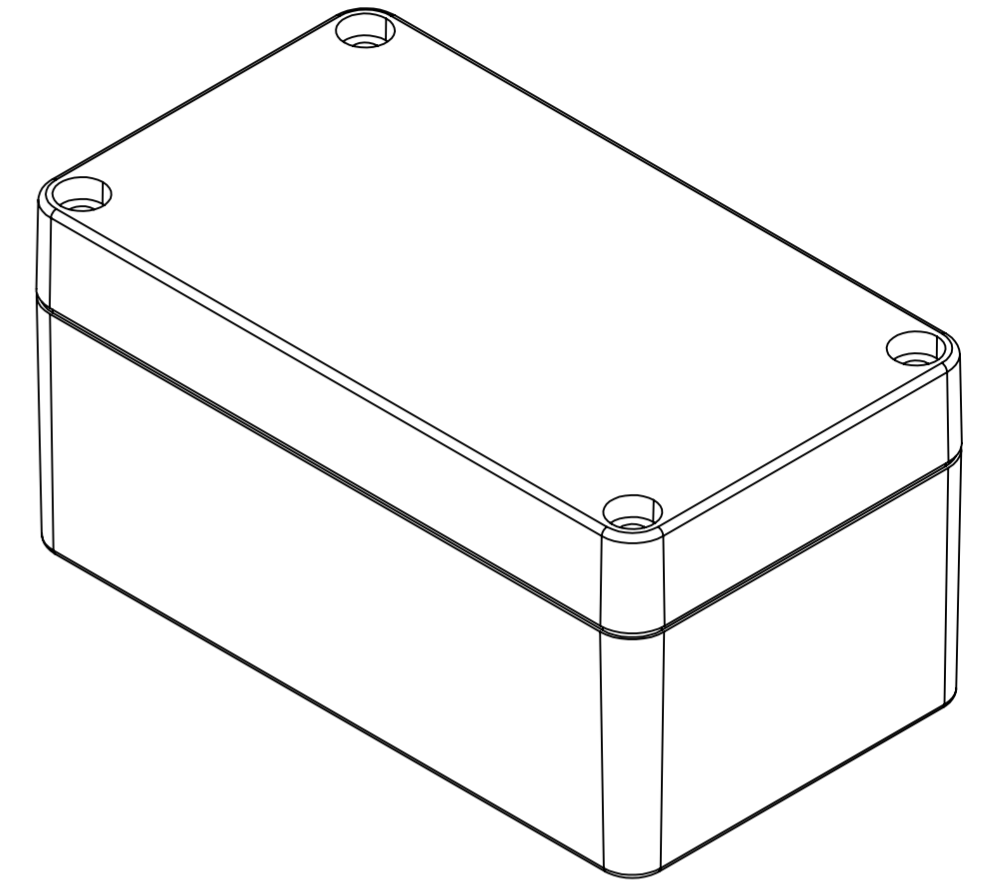
SURFACE-16




SURFACE-14



SURFACE-18



REV. NO	DATE	REVISED BY	DESCRIPTION OF CHANGE
 ALTINKAYA Electronic Enclosures & Components			
Customer Name:		Customer Ref.:	
Allinkaya Ref.:		Part Name: SE-212-0-0	
DRAWN	NAME	DATE	Drawn From:
CHECKED	Y.YEL	4.06.2024	Material:
DIMENSIONAL TOLERANCES UNLESS OTHERWISE SPECIFIED (DIN 7146)			Weight:
	±0.1	±0.1	±0.2
	±0.3	±0.3	±0.5
	m (medium)		

SCALE: 1:1

SHEET 2 OF 2

A2