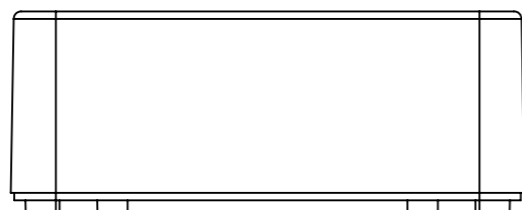
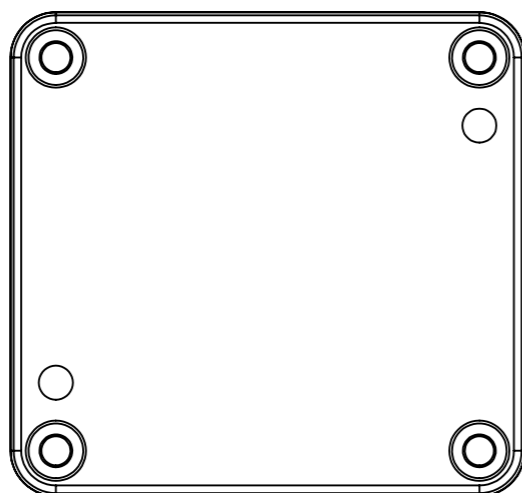


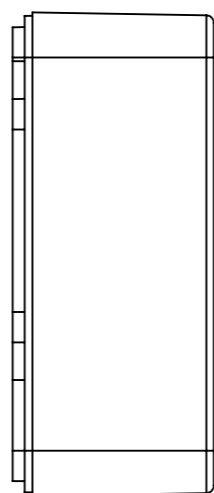
BASE: 6 SURFACE



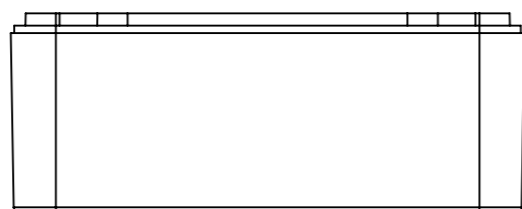
SURFACE-1



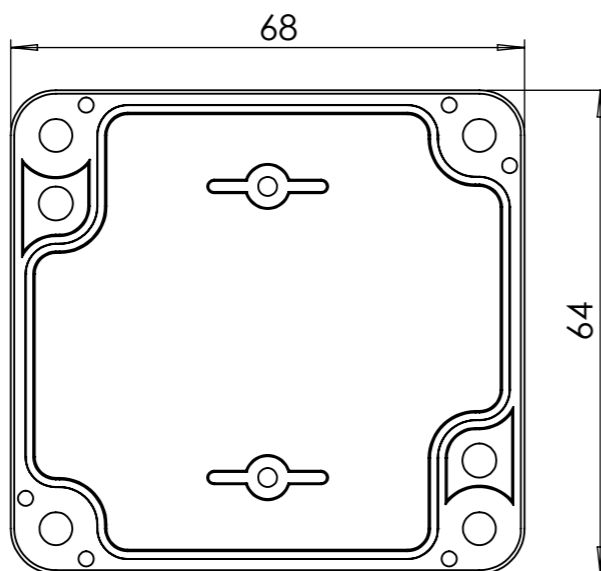
SURFACE-5



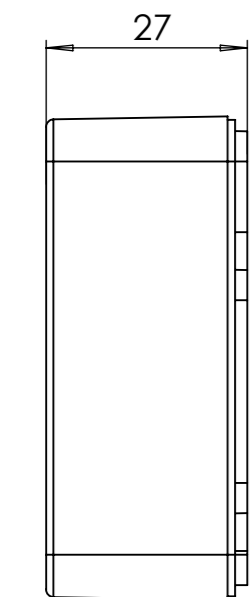
SURFACE-4



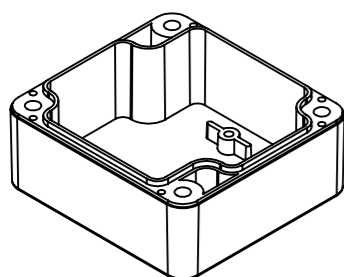
SURFACE-2



SURFACE-6(INSIDE)



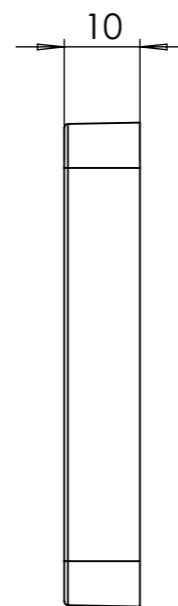
SURFACE-3



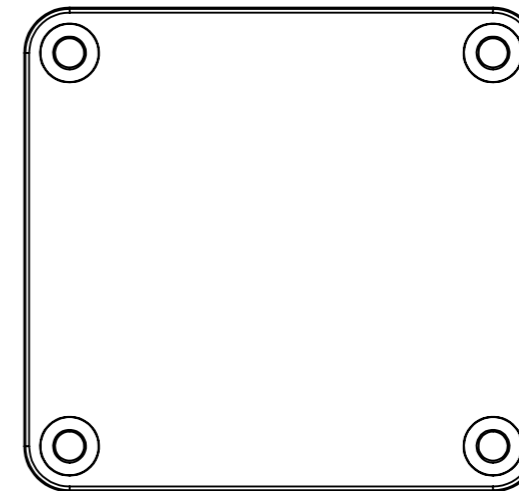
COVER: 6 SURFACE



SURFACE-7



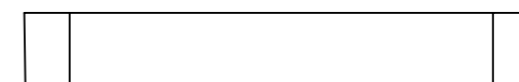
SURFACE-9



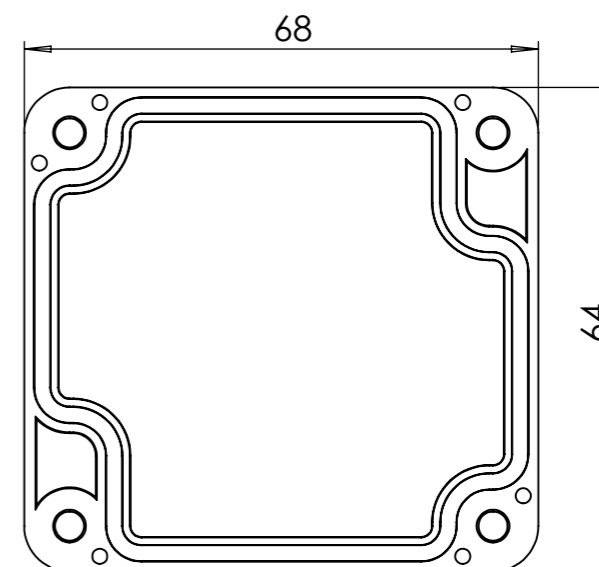
SURFACE-11



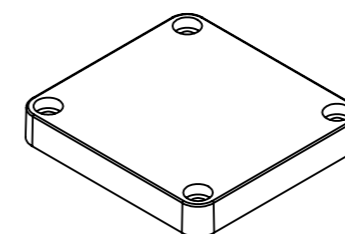
SURFACE-10




SURFACE-8



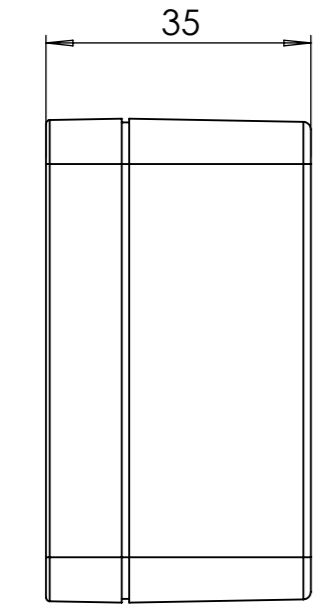
SURFACE-12(INSIDE)



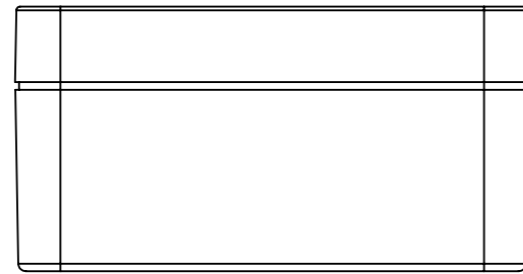
REV. NO	DATE	REVISED BY	DESCRIPTION OF CHANGE
 ALTINKAYA Electronic Enclosures & Components			www.altinkaya.com
Customer Name:		Customer Ref:	
Altinkaya Ref :		Part Name : SE-205	
DRAWN		Drawn From:	
CHECKED		Material :	
DIMENSIONAL TOLERANCES UNLESS OTHERWISE SPECIFIED (DIN7168)		Weight:	
		UNIT : mm	
		Dimension (mm)	
		m (medium)	

A3

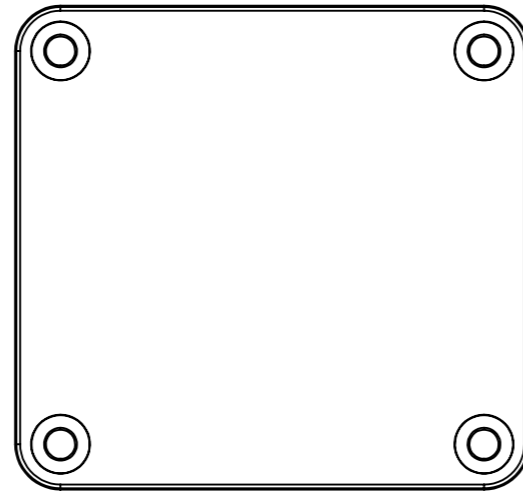
SF-205 IF MACHINED TOGETHER



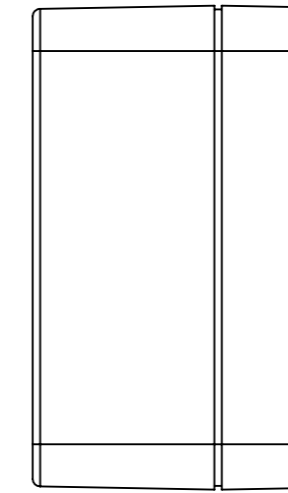
SURFACE-15



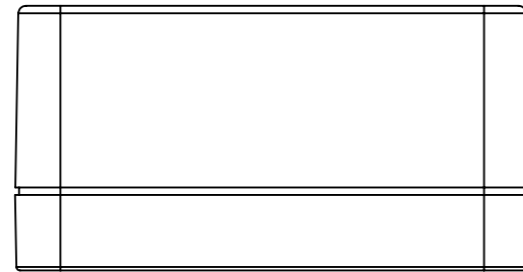
SURFACE-13



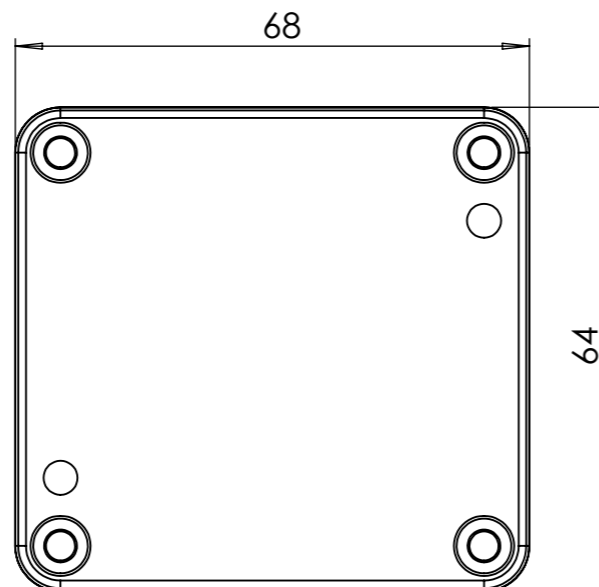
SURFACE-17



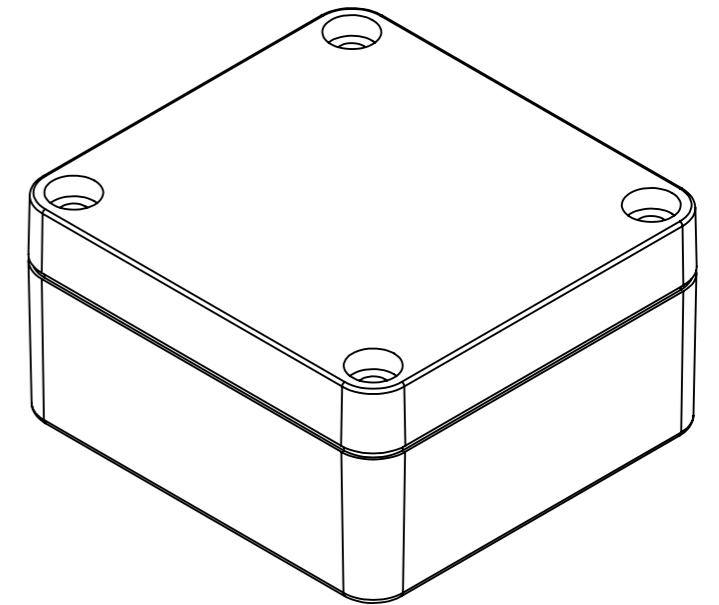
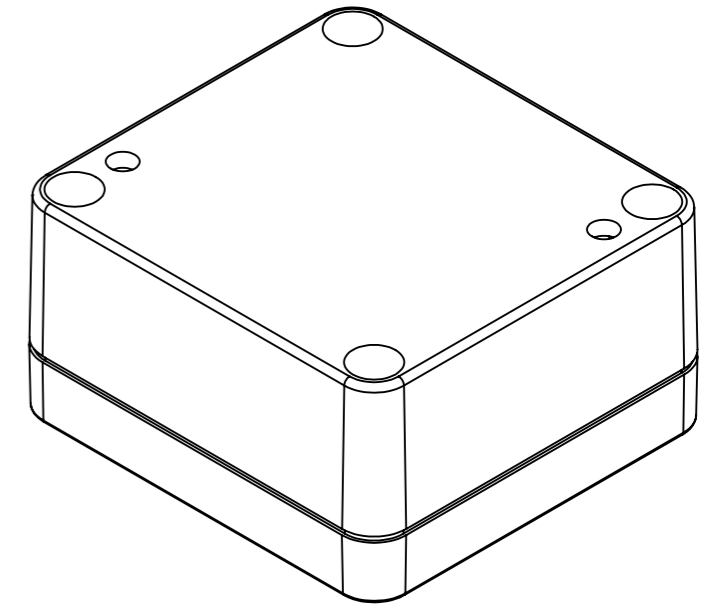
SURFACE-16




SURFACE-14



SURFACE-18



REV. NO	DATE	REVISED BY	DESCRIPTION OF CHANGE				
			www.altinkaya.com				
Customer Name:		Customer Ref:					
Altinkaya Ref:		Part Name : SE-205					
DRAWN	NAME	DATE	Drawn From:				
CHECKED	Y. YEL	4.06.2024	Material :				
DIMENSIONAL TOLERANCES UNLESS OTHERWISE SPECIFIED (DIN7168)		0,5-3mm	3-6 mm	6-30mm	30-120mm	120-400mm	UNIT : mm
		±0,1	±0,1	±0,2	±0,3	±0,5	m (medium)
SCALE:1:1						SHEET 2 OF 2	

A3