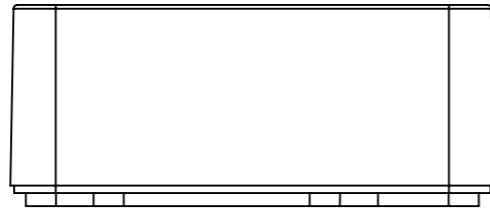
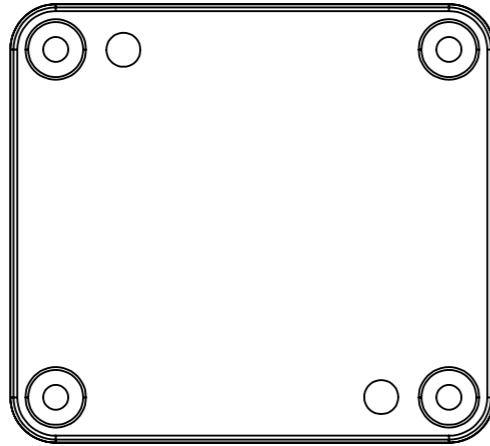


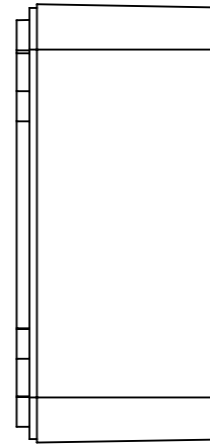
BASE: 6 SURFACE



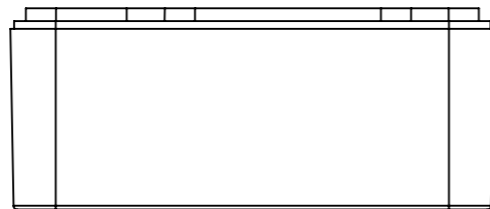
SURFACE-1



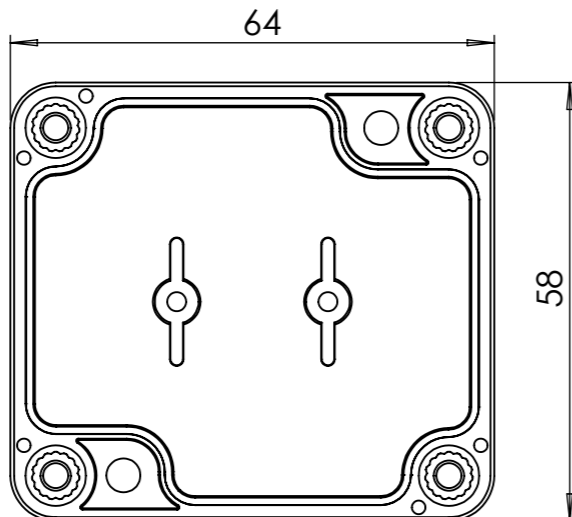
SURFACE-5



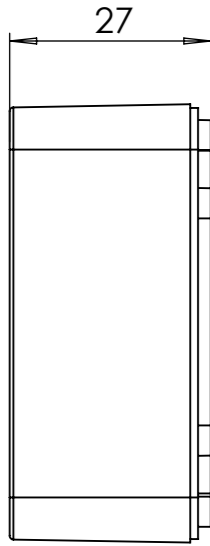
SURFACE-4



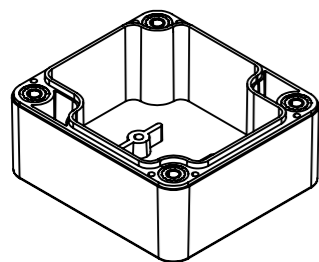
SURFACE-2



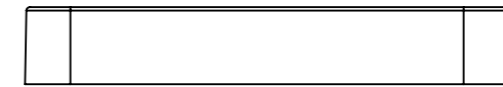
SURFACE-6 (INSIDE)



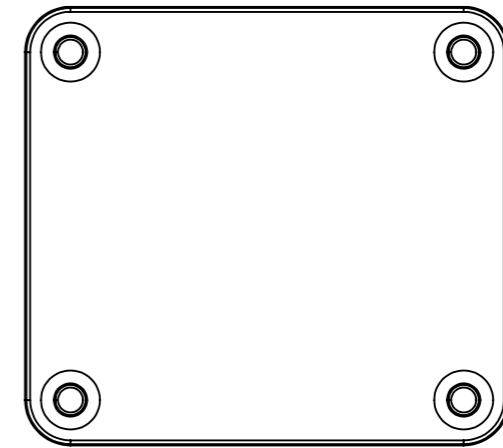
SURFACE-3



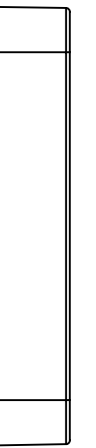
COVER: 6 SURFACE



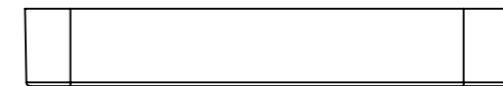
SURFACE-7



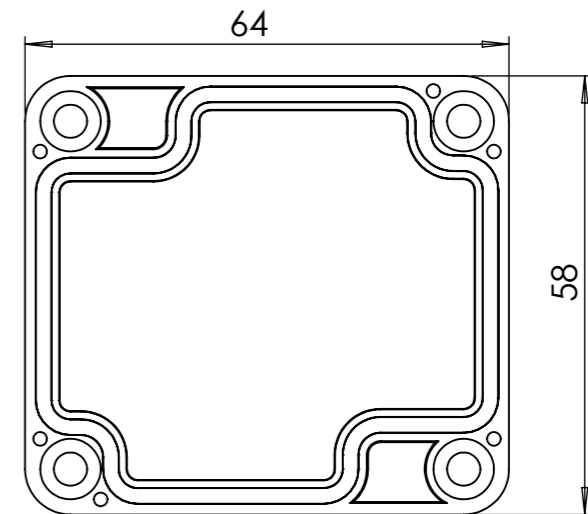
SURFACE-11



SURFACE-10



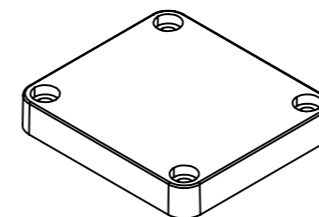
SURFACE-8




SURFACE-12 (INSIDE)



SURFACE-9

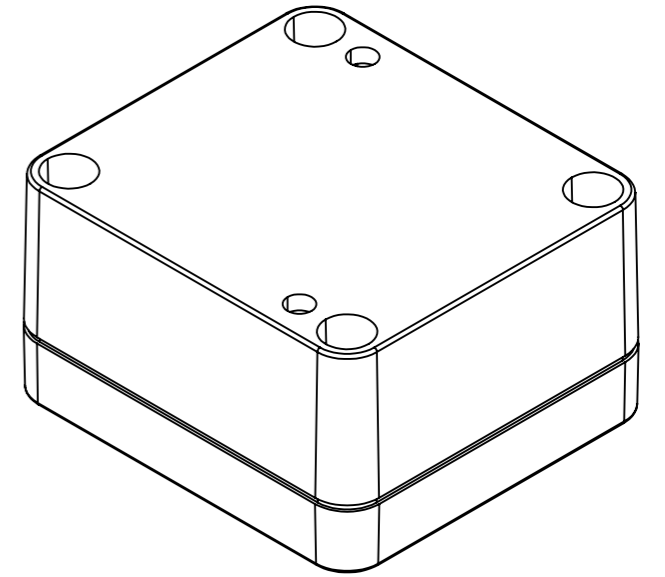
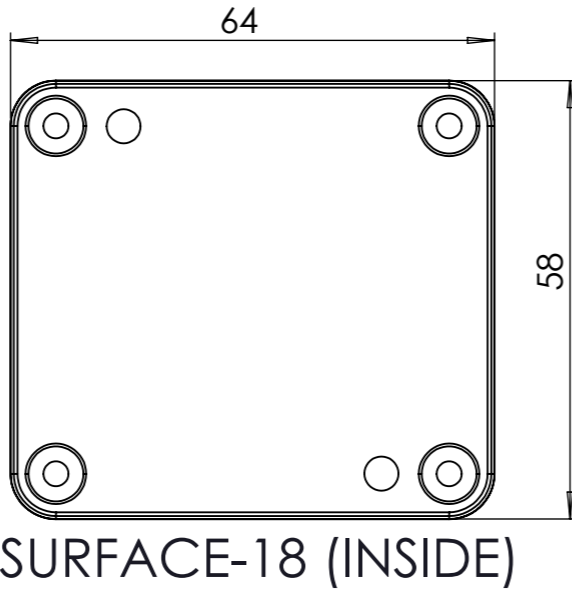
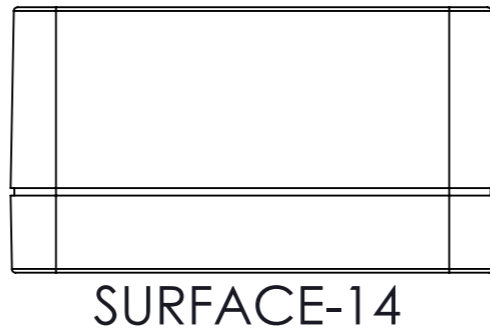
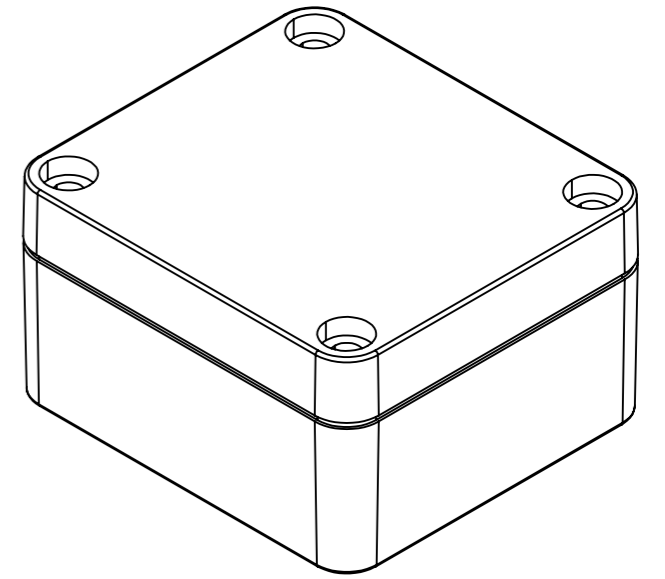
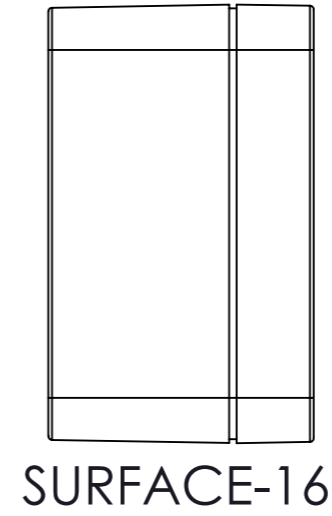
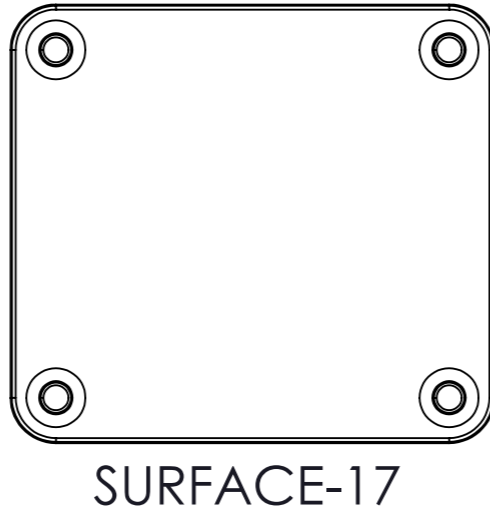
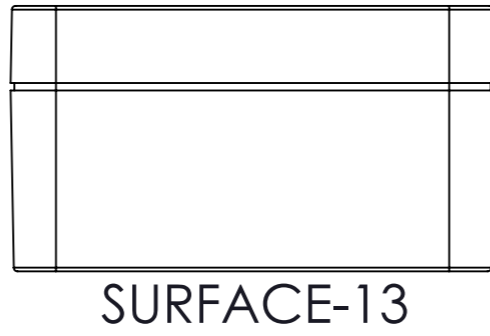
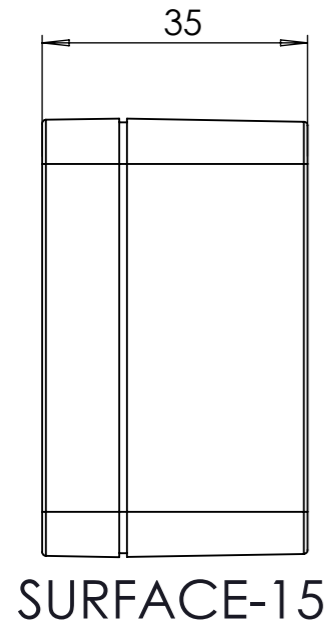



REV. NO	DATE	REVISED BY	DESCRIPTION OF CHANGE
 ALTINKAYA Electronic Enclosures & Components			www.altinkaya.com
Customer Name:		Customer Ref:	
Altinkaya Ref:		Part Name: SE-204-0-0	
DRAWN: S. YESILOZ		DATE: 4.06.2024	
CHECKED: Y. YEL		DATE: 4.06.2024	
NAME: S. YESILOZ		DATE: 4.06.2024	
MATERIAL:		DRAWN FROM:	
WEIGHT:		UNIT: mm	
DIMENSIONAL TOLERANCES UNLESS OTHERWISE SPECIFIED (DIN7168)		SCALE: 1:1	
0,5-3mm	3-6 mm	6-30mm	30-120mm
±0,1	±0,1	±0,2	±0,3
		120-400mm	±0,5
		m (medium)	

A3



SF-204 IF MACHINED TOGETHER



REV. NO	DATE	REVISED BY	DESCRIPTION OF CHANGE		
 ALTINKAYA Electronic Enclosures & Components			www.altinkaya.com		
			Customer Name:		Customer Ref:
Altinkaya Ref :		Part Name : SE-204-0-0			
DRAWN			Drawn From:		
CHECKED			Material :		
DIMENSIONAL TOLERANCES UNLESS OTHERWISE SPECIFIED (DIN7188)			Weight:		
			UNIT : mm		A3
			m (medium)		
			SCALE:1:1		SHEET 2 OF 2