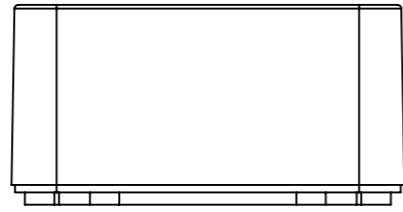
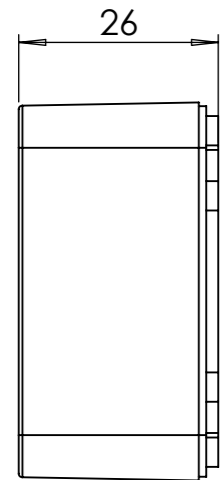


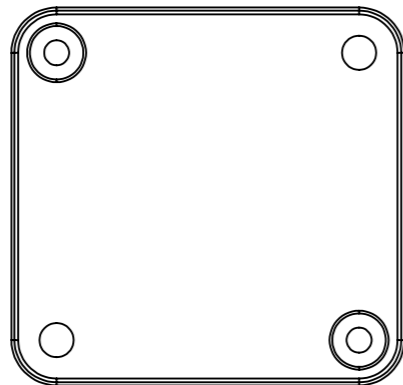
BASE: 6 SURFACE



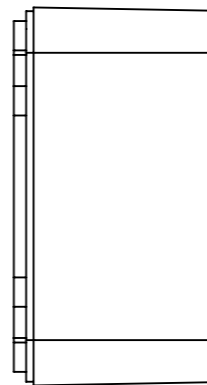
SURFACE-1



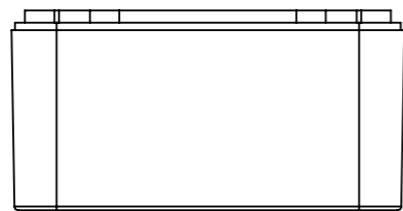
SURFACE-3



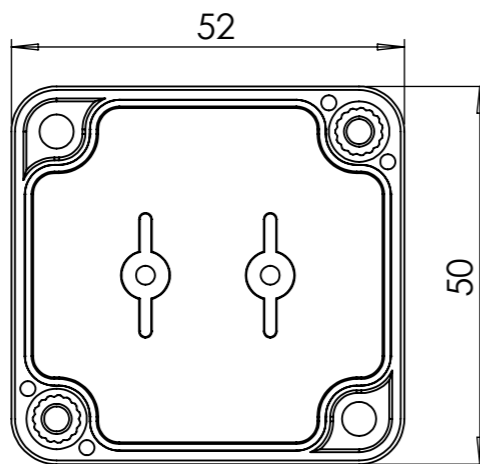
SURFACE-5



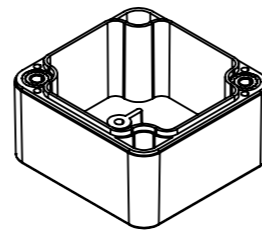
SURFACE-4



SURFACE-2



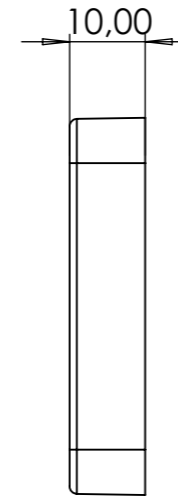
SURFACE-6 (INSIDE)



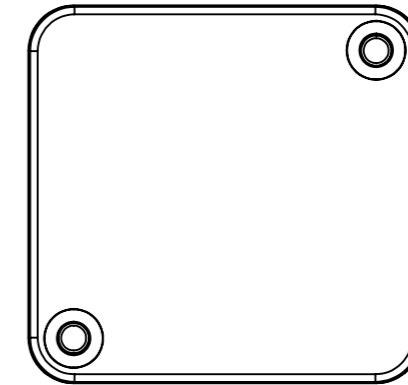
COVER: 6 SURFACE



SURFACE-7



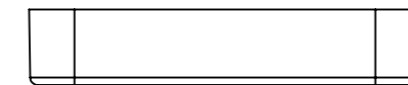
SURFACE-9



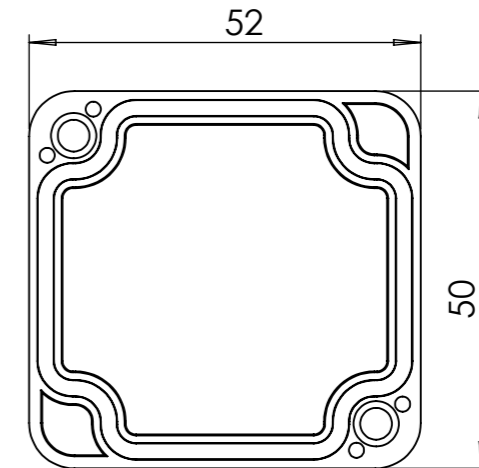
SURFACE-11



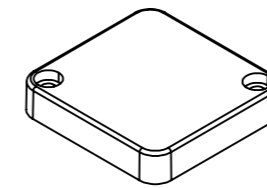
SURFACE-10




SURFACE-8



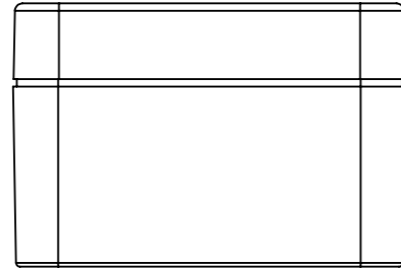
SURFACE-12 (INSIDE)



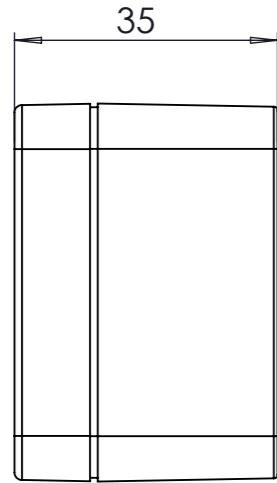
REV. NO	DATE	REVISED BY	DESCRIPTION OF CHANGE		
			www.altinkaya.com		
Customer Name:		Customer Ref:			
Altinkaya Ref:		Part Name : SE-202-0-0			
DRAWN	NAME	DATE	Drawn From:		
	S. YESILOZ	4.06.2024	Material :		
CHECKED	Y. YEL	4.06.2024	Weight:		UNIT : mm
DIMENSIONAL TOLERANCES UNLESS OTHERWISE SPECIFIED (DIN7168)			0,5-3mm	3-6 mm	6-30mm
			±0,1	±0,1	±0,2
				±0,3	±0,5
			30-120mm		120-400mm
			m (medium)		
SCALE:1:1			SHEET 1 OF 2		

A3

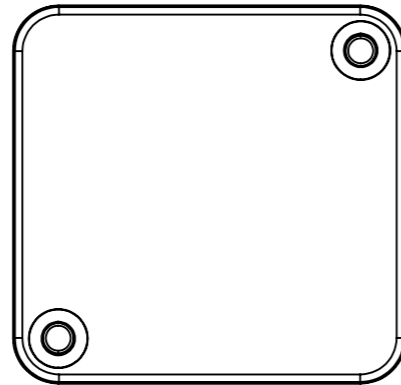
SE-202 IF MACHINED TOGETHER



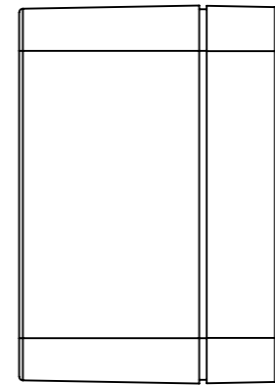
SURFACE-13



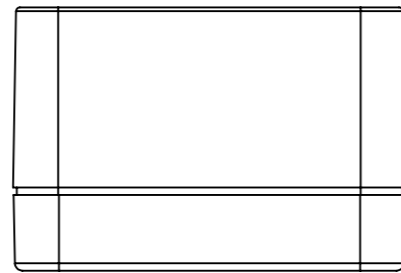
SURFACE-15



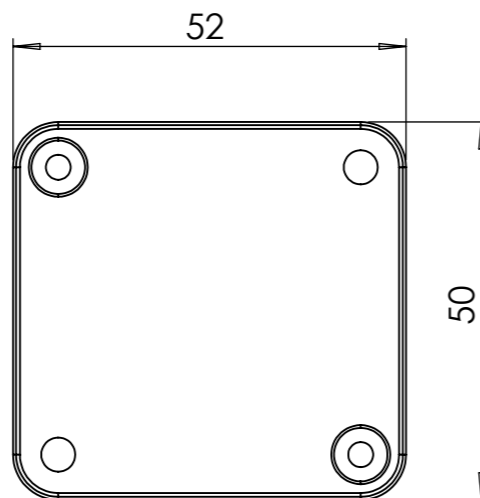
SURFACE-17



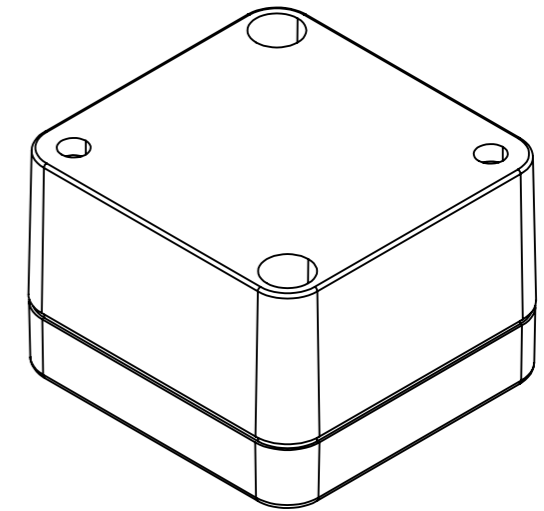
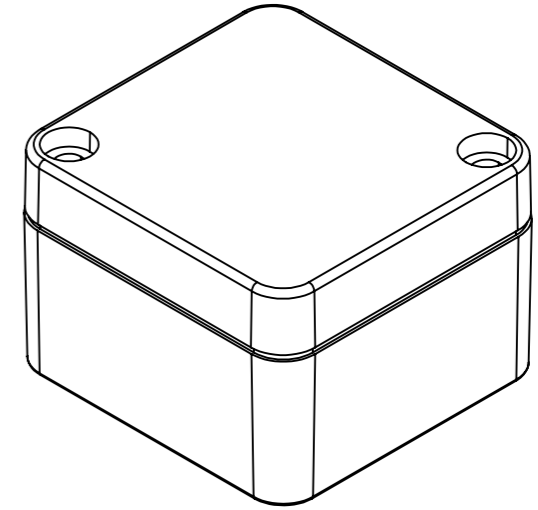
SURFACE-16



SURFACE-14



SURFACE-18



REV. NO	DATE	REVISED BY	DESCRIPTION OF CHANGE		
ALTINKAYA Electronic Enclosures & Components			www.altinkaya.com		
Customer Name:		Customer Ref:			
Altinkaya Ref :		Part Name : SE-202-0-0			
NAME		DATE		Drawn From:	
DRAWN	S. YESILOZ	4.06.2024		Material :	
CHECKED	Y. YEL	4.06.2024		Weight:	UNIT : mm
DIMENSIONAL TOLERANCES UNLESS OTHERWISE SPECIFIED (DIN7168)					
		0,5-3mm	3-6 mm	6-30mm	30-120mm
		±0,1	±0,1	±0,2	±0,3
				120-400mm	±0,5
				m (medium)	
SCALE:1:1					A3
SHEET 2 OF 2					⊕