

1

2

3

4

A

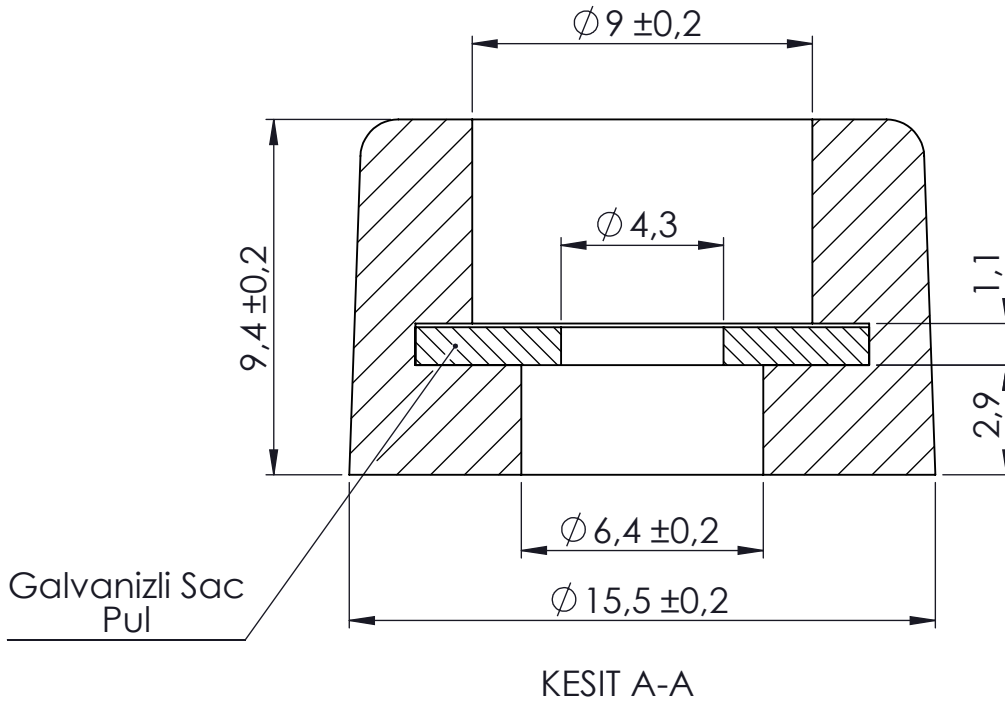
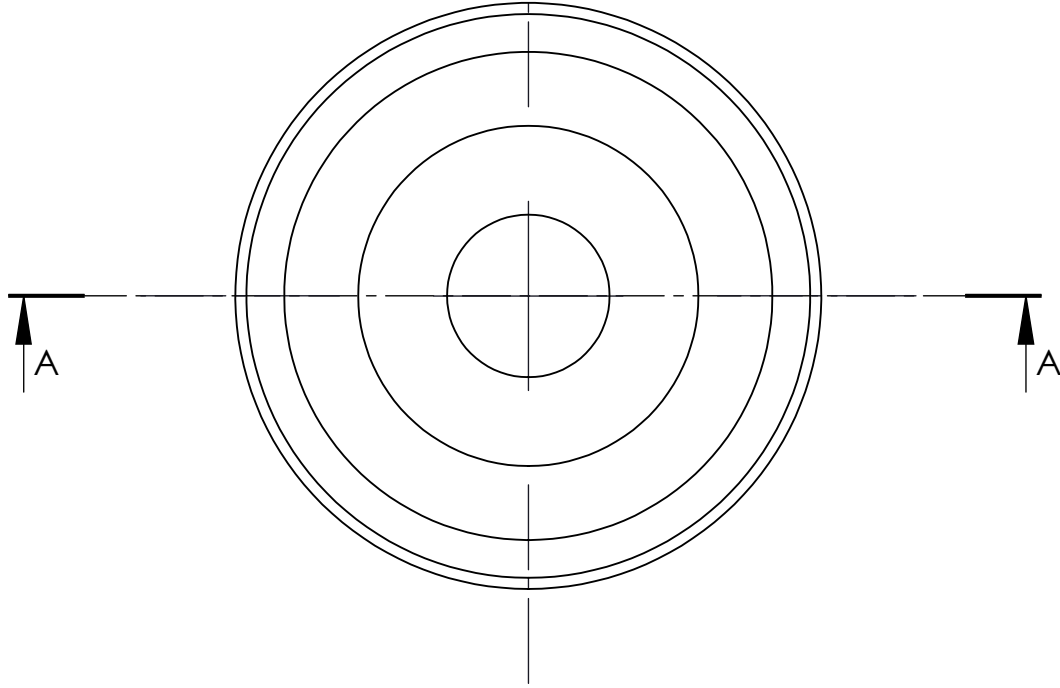
B


C

D

E

F



	NAME	DATE	ARTICLE NO:	REVISION:	TITLE:
DRAWN	Dursun Dağdemir	17.10.23			A-83 Metal Pullu Ayak
CHECKED	Ali Altınışık	17.10.23	COMMENTS: DIMENSIONS ARE IN MILLIMETERS, DEBUR AND BREAK SHARP EDGES		
	 ALTINKAYA ENCLOSURES FOR ELECTRONICS www.altinkaya.com.tr				DWG NO.
PROPRIETARY AND CONFIDENTIAL THE INFORMATION CONTAINED IN THIS DRAWING IS THE SOLE PROPERTY OF ALTINKAYA ENCLOSURES. ANY REPRODUCTION IN PART OR AS A WHOLE WITHOUT THE WRITTEN PERMISSION OF ALTINKAYA ENCLOSURES IS PROHIBITED.			MATERIAL: TPE 70 Shore		A-83-0-0-S-0
			WEIGHT:	SCALE:5:1	A4
			SHEET 1 OF 1		