
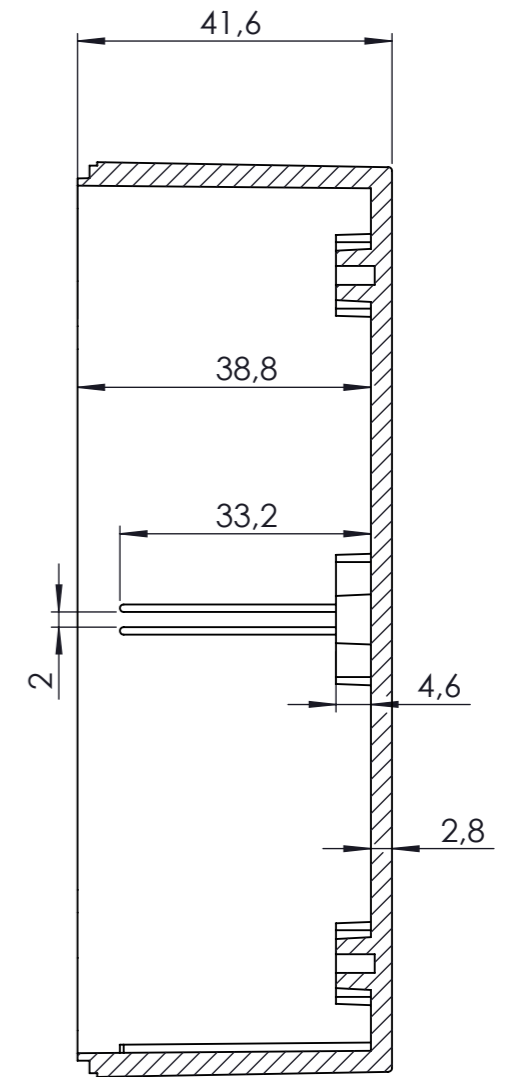
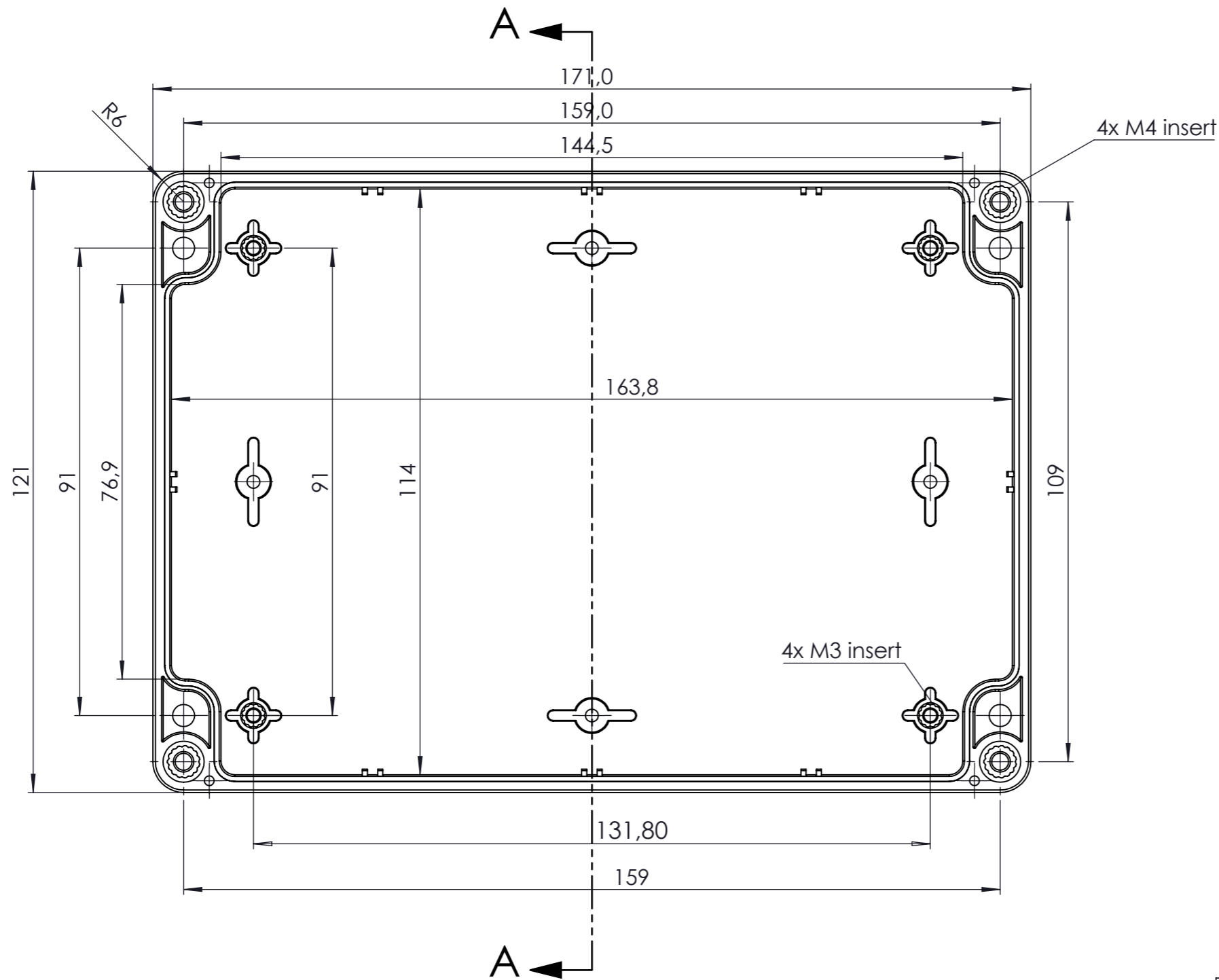


KESIT A-A


DİKKAT: BU RESİM VE ÜRÜN ÖNCEDEN HABER VERİLMEKSİZİN DEĞİŞTİREBİLİR. RESİM ÇİZİLİRKEN HATASIZ OLMASINA ÇALIŞILMASINA RAĞMEN RESİMDEKİ HATALAR BULUNABİLİR. RESİMDEKİ HATALARDAN DOLAYI OLUŞABİLECEK ZARARLAR İÇİN ALTINKAYA HiÇ BİR SORUMLULUK KABUL ETMEZ. BÜTÜN ÖLÇÜLER KULLANILMADAN ÖNCE ÜRETİLMİŞ GERÇEK NUMUNEDEN KONTROL EDİLMELİDİR.

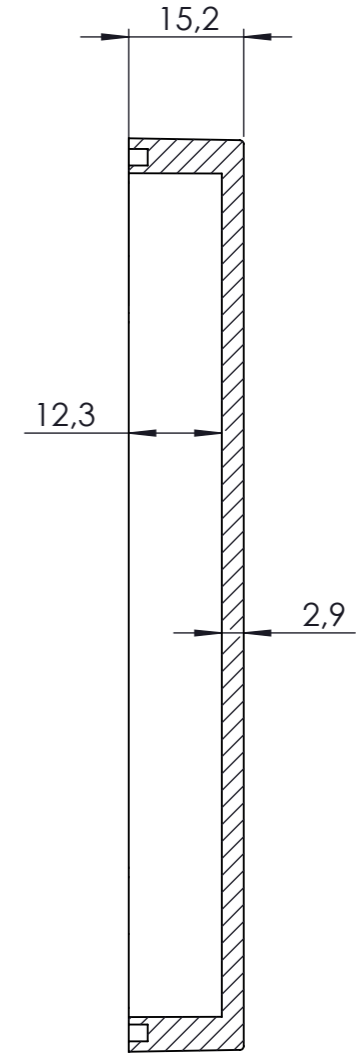
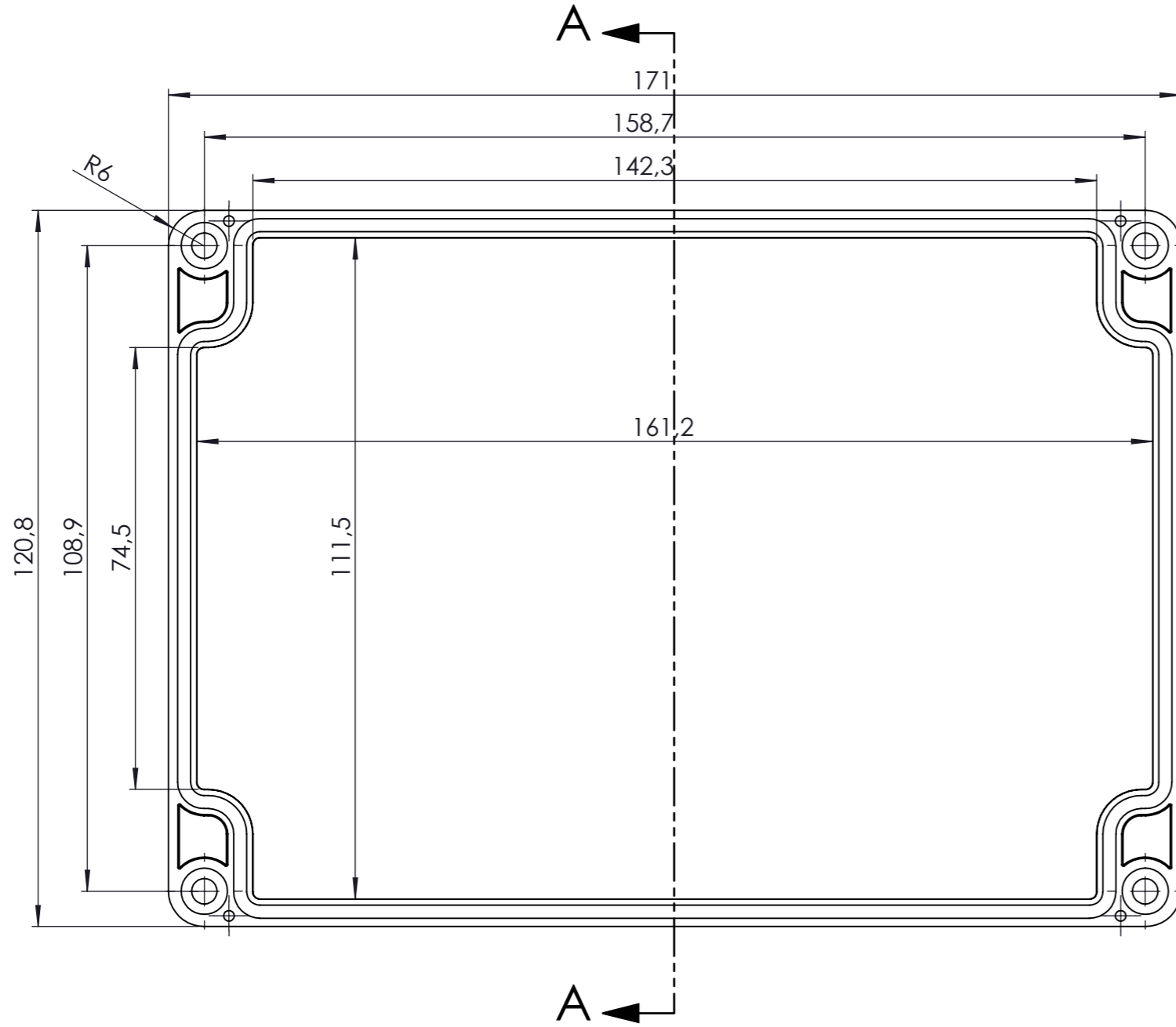
PROPRIETARY AND CONFIDENTIAL THE INFORMATION CONTAINED IN THIS DRAWING IS THE SOLE PROPERTY OF ALTINKAYA ENCLOSURES. ANY REPRODUCTION IN PART OR AS A WHOLE WITHOUT THE WRITTEN PERMISSION OF ALTINKAYA ENCLOSURES IS PROHIBITED.			ARTICLE NO:	REVISION:
DRAWN Hayri BAL 18.11.19 CHECKED Dursun Daşdemir 18.11.19			 CONTACT: www.altinkaya.com.tr	
COMMENTS: This drawing is subject to technical modification without prior notice. Typographical and other errors do not justify any claims for damages. All dimensions should be verified using an actual produced part.			TITLE: SE-236 IP-67 Heavy Duty Enclosure	
MATERIAL:			DWG NO. SE-236-0-0	A3
WEIGHT:			SCALE:1:1	SHEET 1 OF 1



KESIT A-A




DİKKAT: BU RESİM VE ÜRÜN ÖNCEDEN HABER VERİLMEKSİZİN DEĞİŞTİREBİLİR. RESİM ÇİZİLİRKEN HATASIZ OLMASINA ÇALIŞILMASINA RAĞMEN RESİMDE HATALAR BULUNABİLİR. RESİMDEKİ HATALARDAN DOLAYI OLUŞABİLECEK ZARARLAR İÇİN ALTINKAYA HiÇ BİR SORUMLULUK KABUL ETMEZ. BÜTÜN ÖLÇÜLER KULLANILMADAN ÖNCE ÜRETİLMİŞ GERÇEK NUMUNEDEN KONTROL EDİLMELİDİR.

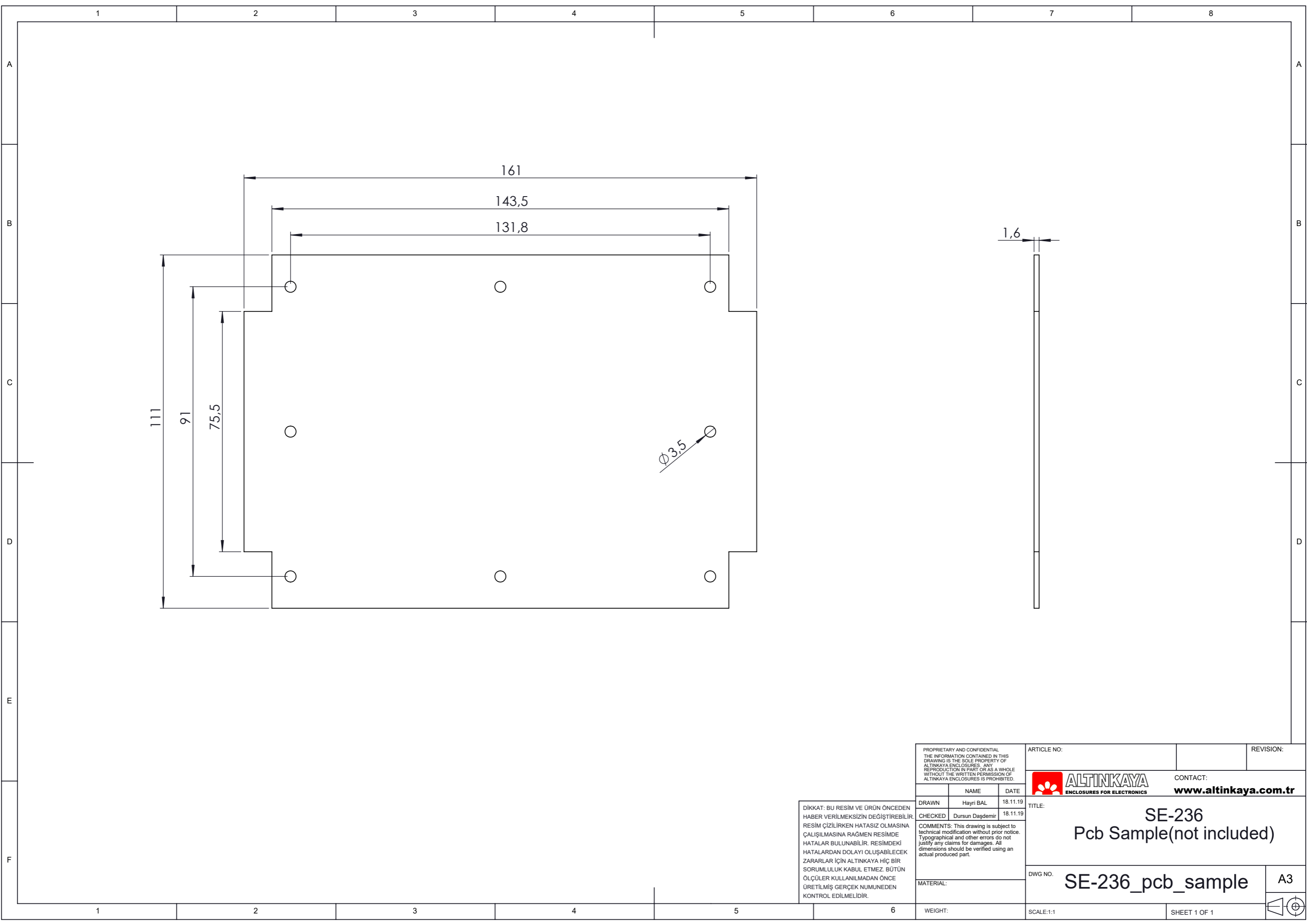
<small>PROPRIETARY AND CONFIDENTIAL. THE INFORMATION CONTAINED IN THIS DRAWING IS THE SOLE PROPERTY OF ALTINKAYA ENCLOSURES. ANY REPRODUCTION IN PART OR AS A WHOLE WITHOUT THE WRITTEN PERMISSION OF ALTINKAYA ENCLOSURES IS PROHIBITED.</small>			ARTICLE NO:	REVISION:
<small>DRAWN</small> Hayri BAL 18.11.19 <small>CHECKED</small> Dursun Dağdemir 18.11.19			 ALTINKAYA <small>ENCLOSURES FOR ELECTRONICS</small>	
<small>COMMENTS: This drawing is subject to technical modification without prior notice. Typographical and other errors do not justify any claims for damages. All dimensions should be verified using an actual produced part.</small>			CONTACT: www.altinkaya.com.tr	
MATERIAL:			TITLE: SE-236 GÖVDE	
WEIGHT:			DWG NO: SE-236-P-2	A3
SCALE:1:1			SHEET 1 OF 1	



KESIT A-A

DİKKAT: BU RESİM VE ÜRÜN ÖNCEDEN HABER VERİLMEKSİZİN DEĞİŞTİREBİLİR. RESİM ÇİZİLİRKEN HATASIZ OLMASINA ÇALIŞILMASINA RAĞMEN RESİMDEKİ HATALARDAN DOLAYI OLUŞABİLECEK ZARARLAR İÇİN ALTINKAYA HiÇ BİR SORUMLULUK KABUL ETMEZ. BÜTÜN ÖLÇÜLER KULLANILMADAN ÖNCE ÜRETİLMİŞ GERÇEK NUMUNEDEN KONTROL EDİLMELİDİR.

<small>PROPRIETARY AND CONFIDENTIAL THE INFORMATION CONTAINED IN THIS DRAWING IS THE SOLE PROPERTY OF ALTINKAYA ENCLOSURES. ANY REPRODUCTION IN PART OR AS A WHOLE WITHOUT THE WRITTEN PERMISSION OF ALTINKAYA ENCLOSURES IS PROHIBITED.</small>			ARTICLE NO:	REVISION:
<small>DRAWN</small> Hayri BAL 18.11.19 <small>CHECKED</small> Dursun Daşdemir 18.11.19			 CONTACT: www.altinkaya.com.tr	
<small>COMMENTS: This drawing is subject to technical modification without prior notice. Typographical and other errors do not justify any claims for damages. All dimensions should be verified using an actual produced part.</small>			TITLE: <h2>SE-236 KAPAK</h2>	
MATERIAL:			DWG NO: <h2>SE-236-P-1</h2>	A3 
WEIGHT:			SCALE:1:1	SHEET 1 OF 1 



PROPRIETARY AND CONFIDENTIAL THE INFORMATION CONTAINED IN THIS DRAWING IS THE SOLE PROPERTY OF ALTINKAYA ENCLOSURES. ANY REPRODUCTION IN PART OR AS A WHOLE WITHOUT THE WRITTEN PERMISSION OF ALTINKAYA ENCLOSURES IS PROHIBITED.			ARTICLE NO:	REVISION:
DRAWN Hayri BAL 18.11.19			CONTACT: www.altinkaya.com.tr	
CHECKED Dursun Daşdemir 18.11.19			TITLE: SE-236 Pcb Sample(not included)	
COMMENTS: This drawing is subject to technical modification without prior notice. Typographical and other errors do not justify any claims for damages. All dimensions should be verified using an actual produced part.			DWG NO: SE-236_pcb_sample	A3
MATERIAL:			SCALE:1:1	SHEET 1 OF 1
WEIGHT:				

DİKKAT: BU RESİM VE ÜRÜN ÖNCEDEN
HABER VERİLMEKSİZİN DEĞİŞTİREBİLİR.
RESİM ÇİZİLİRKEN HATASIZ OLMASINA
ÇALIŞILMASINA RAĞMEN RESİMDE
HATALAR BULUNABİLİR. RESİMDEKİ
HATALARDAN DOLAYI OLUŞABİLECEK
ZARARLAR İÇİN ALTINKAYA HiÇ BİR
SORUMLULUK KABUL ETMEZ. BÜTÜN
ÖLÇÜLER KULLANILMADAN ÖNCE
ÜRETİLMİŞ GERÇEK NUMUNEDEN
KONTROL EDİLMELİDİR.