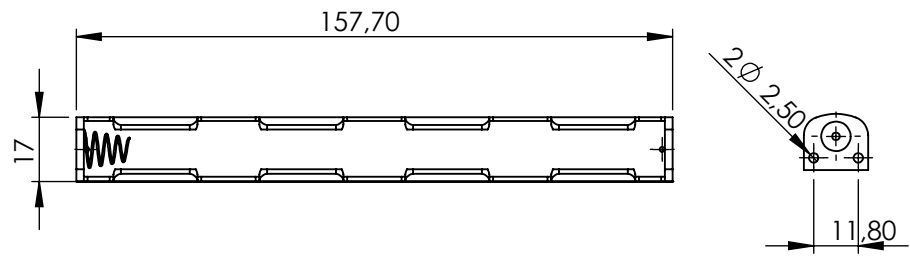


1 2 3 4 5 6

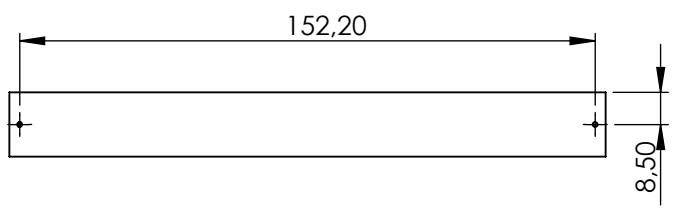
A

A



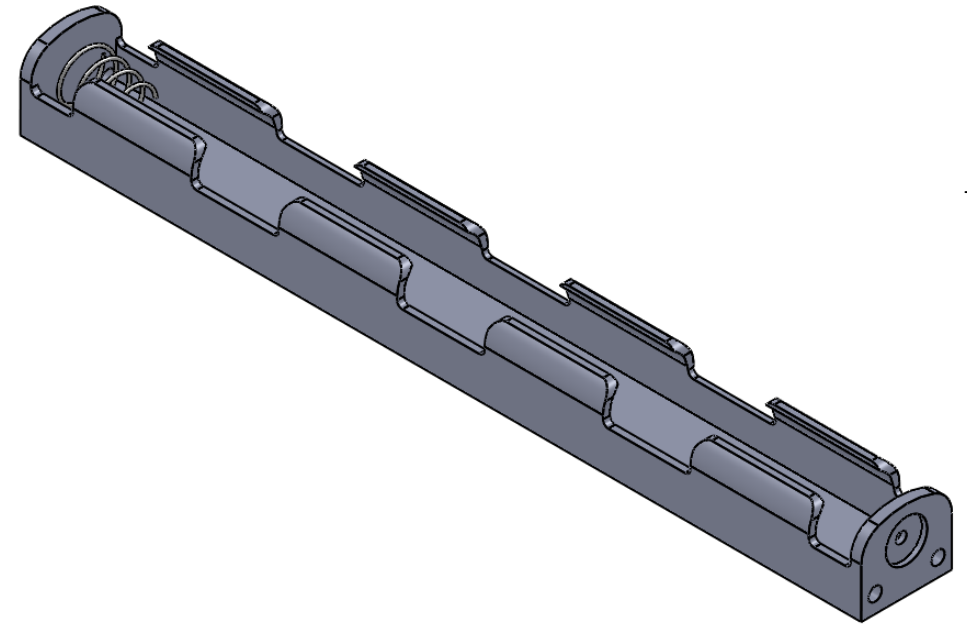
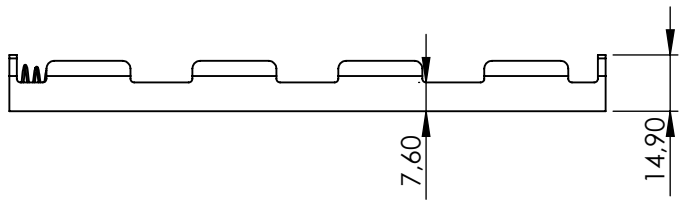
B

B




C

C



D

	NAME	DATE	ARTICLE NO:	REVISION:	TITLE:
DRAWN	Dursun CAN				
CHECKED	Ali Altınışık		COMMENTS: DIMENSIONS ARE IN MILLIMETERS. DEBUR AND BREAK SHARP EDGES		
 www.altinkaya.com.tr			DWG NO.		BH-333-1 A-Body
<small>PROPRIETARY AND CONFIDENTIAL THE INFORMATION CONTAINED IN THIS DRAWING IS THE SOLE PROPERTY OF ALTINKAYA ENCLOSURES. ANY REPRODUCTION IN PART OR AS A WHOLE WITHOUT THE WRITTEN PERMISSION OF ALTINKAYA ENCLOSURES IS PROHIBITED.</small>			MATERIAL:	WEIGHT:	SCALE:1:2
			SHEET 1 OF 1		A4

1 2

