

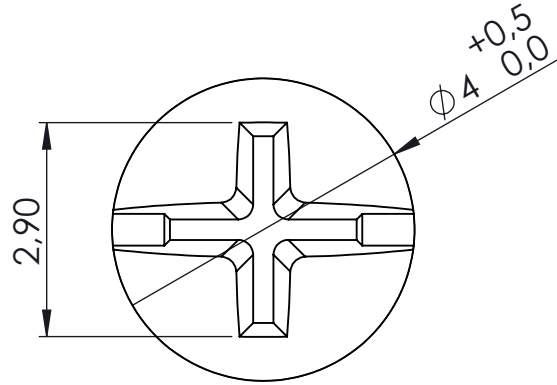
A

B

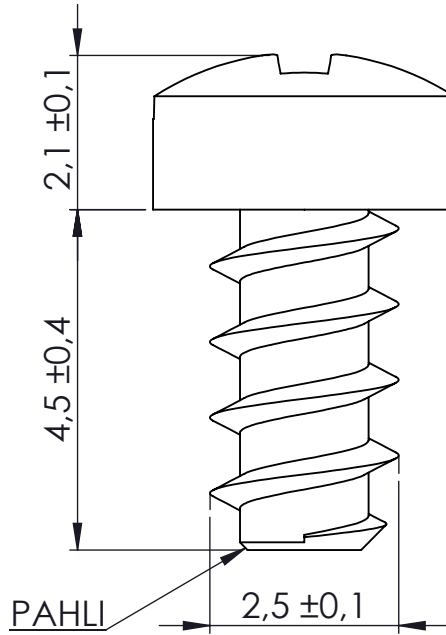
C

D


E



**FORM H  
KOMBİ**



**Plastik Diş**

	NAME	DATE	ARTICLE NO:	REVISION:	TITLE:
DRAWN	Dursun Daşdemir				YCB PLS Kombi Başlı Vida
CHECKED	Ali Altınışık				
F	 <b>ALTINKAYA</b> ENCLOSURES FOR ELECTRONICS <a href="http://www.altinkaya.com.tr">www.altinkaya.com.tr</a>		COMMENTS: Kaplama : Çinko Isıl İşlem : 25-30 HRC Tel Çapı : $\phi$ 1.80-1.82		DWG NO.
	<small>PROPRIETARY AND CONFIDENTIAL  THE INFORMATION CONTAINED IN THIS DRAWING IS  THE SOLE PROPERTY OF ALTINKAYA ENCLOSURES.  ANY REPRODUCTION IN PART OR AS A WHOLE  WITHOUT THE WRITTEN PERMISSION OF ALTINKAYA  ENCLOSURES IS PROHIBITED.</small>		MATERIAL: CQ15	WEIGHT:	A4
					SCALE:10:110.1

