

A

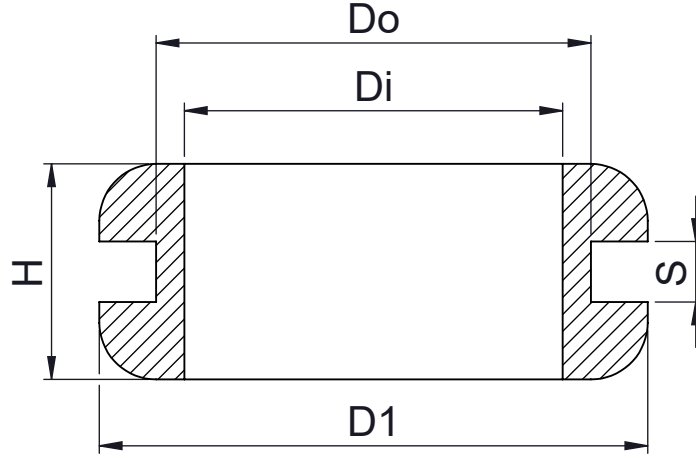
B

C

D

E

F

Tolerans  $\pm 0.2$ 

Kodu	Di	Do	D1	H	S
<b>A-904</b>	4	5,5	9	5	1,5
<b>A-906</b>	6	8	11,3	4,3	1,5
<b>A-908</b>	8	10	13	5,6	1,5
<b>A-910</b>	10	11,5	14	6	1,6
<b>A-912</b>	12	15	19,5	5,5	1,8

NAME	DATE	ARTICLE NO:	REVISION:	TITLE:
DRAWN	Dursun Daşdemir	05.08.14		<b>Kablo Geçit Lastiği</b>
CHECKED	Ali Altınışık	05.08.14		
COMMENTS:				DWG NO.
DIMENSIONS ARE IN MILLIMETERS, DEBUR AND BREAK SHARP EDGES				A4
MATERIAL: PVC-TPE				WEIGHT:
SCALE:				SHEET 1 OF 1

**ALTINKAYA**  
ENCLOSURES FOR ELECTRONICS  
[www.altinkaya.com.tr](http://www.altinkaya.com.tr)

**PROPRIETARY AND CONFIDENTIAL**  
THE INFORMATION CONTAINED IN THIS DRAWING IS  
THE SOLE PROPERTY OF ALTINKAYA ENCLOSURES.  
ANY REPRODUCTION IN PART OR AS A WHOLE  
WITHOUT THE WRITTEN PERMISSION OF ALTINKAYA  
ENCLOSURES IS PROHIBITED.

