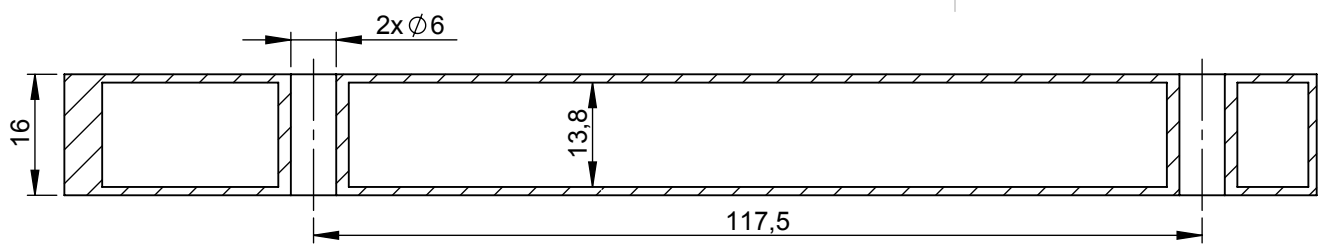


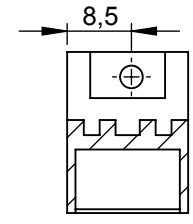
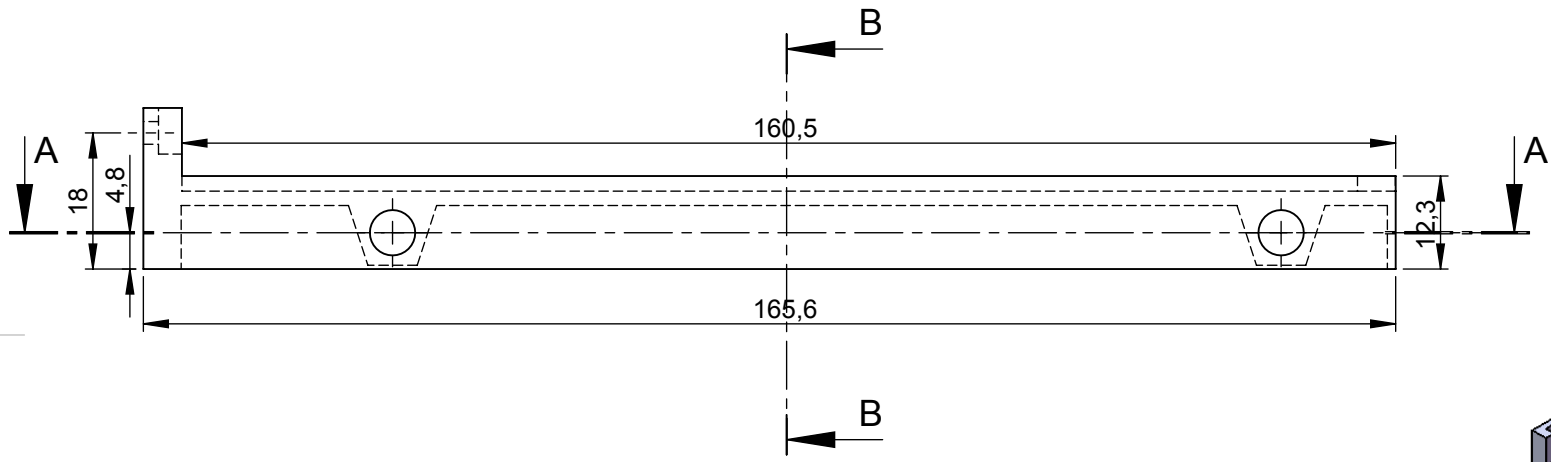
1 2 3 4 5 6

A



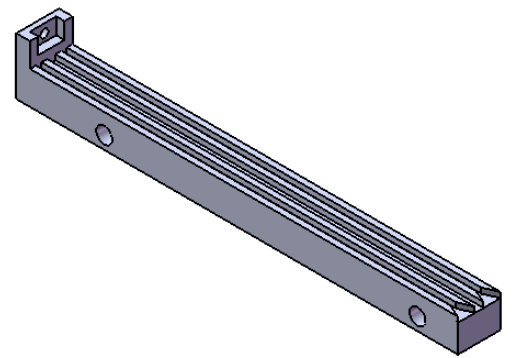
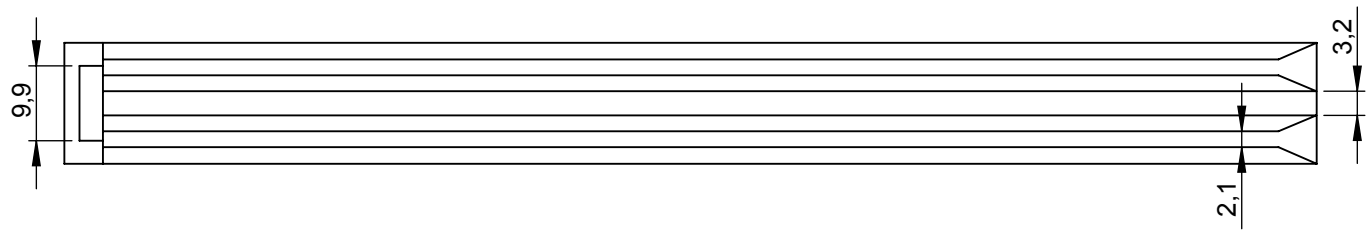
SECTION A-A
SCALE 1 : 1

B




SECTION B-B
SCALE 1 : 1

C



D

	NAME	DATE	ARTICLE NO:	10220	REVISION:	TITLE:
DRAWN	D.DAŞDEMİR	23.10.2007	COMMENTS:	DIMENSIONS ARE IN MILLIMETERS		
CHECKED	A.ALTINIŞIK		 ALTINKAYA ENCLOSURES FOR ELECTRONICS www.altinkaya.com.tr			
PROPRIETARY AND CONFIDENTIAL THE INFORMATION CONTAINED IN THIS DRAWING IS THE SOLE PROPERTY OF ALTINKAYA ENCLOSURES. ANY REPRODUCTION IN PART OR AS A WHOLE WITHOUT THE WRITTEN PERMISSION OF ALTINKAYA ENCLOSURES IS PROHIBITED.						
MATERIAL:			ABS		WEIGHT:	

Plastic PCB Rail (2 Slots)

DWG NO. **A-922** A4

