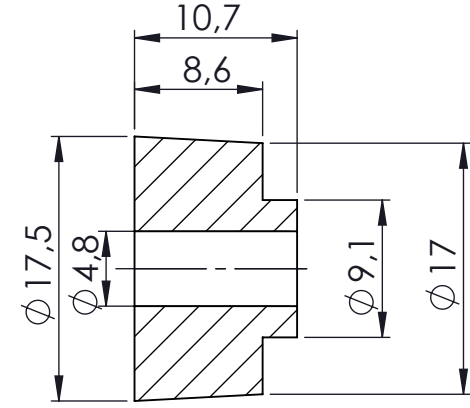
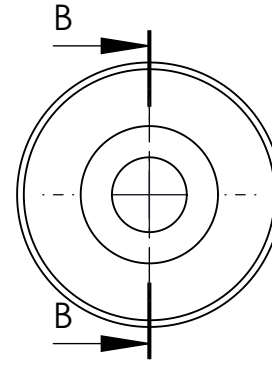
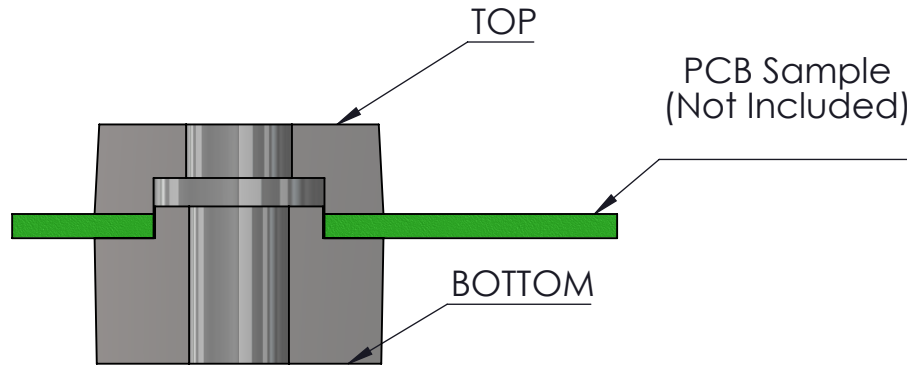


KESIT A-A



KESIT B-B



PCB nin Kutudan izole edilmesine yarar.
used for isolating pcb from chasis

NAME	DATE	ARTICLE NO:	REVISION	TITLE:
DRAWN	Fatih DEMİRCİ			İZOLASYON PULU 4'LÜK
CHECKED	A.ALTIŇIŐIK			
ALTINKAYA ENCLOSURES FOR ELECTRONICS www.altinkaya.com.tr		COMMENTS: This drawing is subject to technical modification without prior notice. Typographical and other errors do not justify any claims for damages. All dimensions should be verified using an actual produced part.		DWG NO.
PROPRIETARY AND CONFIDENTIAL THE INFORMATION CONTAINED IN THIS DRAWING IS THE SOLE PROPERTY OF ALTINKAYA ENCLOSURES. ANY REPRODUCTION IN PART OR AS A WHOLE WITHOUT THE WRITTEN PERMISSION OF ALTINKAYA ENCLOSURES IS PROHIBITED.		DİKKAT: BU RESİM VE ÜRÜN ÖNCEDEN HABER VERİLMEKSİZİN DEĐİŐTİREBİLİR. RESİM GİZLİRKEN HATASIZ OLMASINA ÇALIŐILMASINA RAĐMEN RESİMDE HATALAR BULUNABİLİR. RESİMDEKİ HATALARDAN DOLAYI OLUŐABİLECEK ZARARLAR İÇİN ALTINKAYA HIÇ BİR SORUMLULUK KABUL ETMEZ. BÜTÜN ÖLÇÜLER KULLANILMADAN ÖNCE ÜRETİLMİŐ GERÇEK NUMUNEDEN KONTROL EDİLMELİDİR.		A4
MATERIAL: PA 6		WEIGHT: TOP 1.30g BOTTOM 2.10g = 3.35g		SCALE:2:1

NAME	DATE	ARTICLE NO:	REVISION	TITLE:
DRAWN	Fatih DEMİRCİ			İZOLASYON PULU 4'LÜK
CHECKED	A.ALTIŇIŐIK			
ALTINKAYA ENCLOSURES FOR ELECTRONICS www.altinkaya.com.tr		COMMENTS: This drawing is subject to technical modification without prior notice. Typographical and other errors do not justify any claims for damages. All dimensions should be verified using an actual produced part.		DWG NO.
PROPRIETARY AND CONFIDENTIAL THE INFORMATION CONTAINED IN THIS DRAWING IS THE SOLE PROPERTY OF ALTINKAYA ENCLOSURES. ANY REPRODUCTION IN PART OR AS A WHOLE WITHOUT THE WRITTEN PERMISSION OF ALTINKAYA ENCLOSURES IS PROHIBITED.		DİKKAT: BU RESİM VE ÜRÜN ÖNCEDEN HABER VERİLMEKSİZİN DEĐİŐTİREBİLİR. RESİM GİZLİRKEN HATASIZ OLMASINA ÇALIŐILMASINA RAĐMEN RESİMDE HATALAR BULUNABİLİR. RESİMDEKİ HATALARDAN DOLAYI OLUŐABİLECEK ZARARLAR İÇİN ALTINKAYA HIÇ BİR SORUMLULUK KABUL ETMEZ. BÜTÜN ÖLÇÜLER KULLANILMADAN ÖNCE ÜRETİLMİŐ GERÇEK NUMUNEDEN KONTROL EDİLMELİDİR.		A4
MATERIAL: PA 6		WEIGHT: TOP 1.30g BOTTOM 2.10g = 3.35g		SCALE:2:1

