

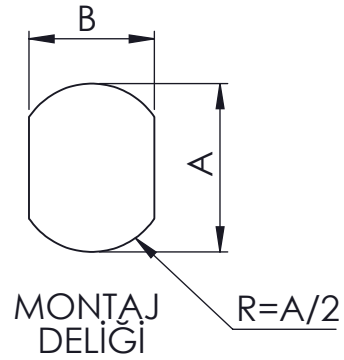
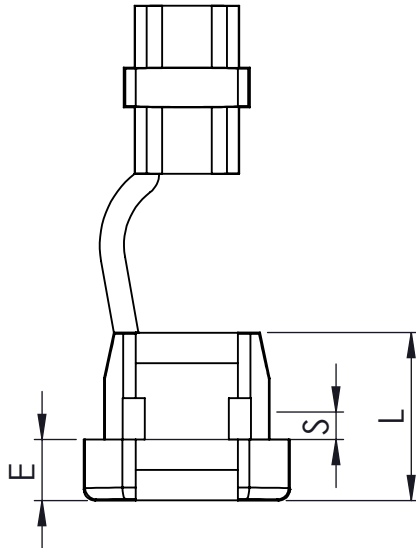
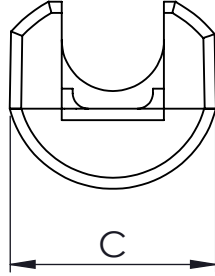
A

B


C

D

E



Kodu	A (mm)	B (mm)	C (mm)	L (mm)	E (mm)	S (mm)
A-810	12.7	10.9	13.5	11	4	1.8

NAME	DATE	ARTICLE NO:	REVISION:	TITLE:
Dursun Daşdemir	26.02.15			
Ali Altınışık	26.02.15	COMMENTS: This drawing is subject to technical modification without prior notice. Typographical and other errors do not justify any claims for damages. All dimensions should be verified using an actual produced part.		
 ENCLOSURES FOR ELECTRONICS www.altinkaya.com.tr		DİKKAT: BU RESİM VE ÖRÜN ÖNCEDEN HABER VERİLMEKSİZİN DEĞİŞTİREBİLİR. RESİM ÇİZİLRKEN HATASIZ OLMASINA ÇALIŞILMASINA RAĞMEN RESİMDE HATALAR BULUNABİLİR. RESİMDEKİ HATALARDAN DOLAYI OLUSABİLECEK ZARARLAR İÇİN ALTINKAYA HIÇ BİR SORUMLULUK KABUL ETMEZ. BUTÜN ÖLÇÜLER KULLANILMADAN ÖNCE ÜRETİLMİŞ GERÇEK NÜMUNEDEN KONTROL EDİLMELİDİR.		
PROPRIETARY AND CONFIDENTIAL THE INFORMATION CONTAINED IN THIS DRAWING IS THE SOLE PROPERTY OF ALTINKAYA ENCLOSURES. ANY REPRODUCTION IN PART OR AS A WHOLE WITHOUT THE WRITTEN PERMISSION OF ALTINKAYA ENCLOSURES IS PROHIBITED.		MATERIAL:		DWG NO. A-810 SCALE:2:1 SHEET 1 OF 1
		WEIGHT:		A4 