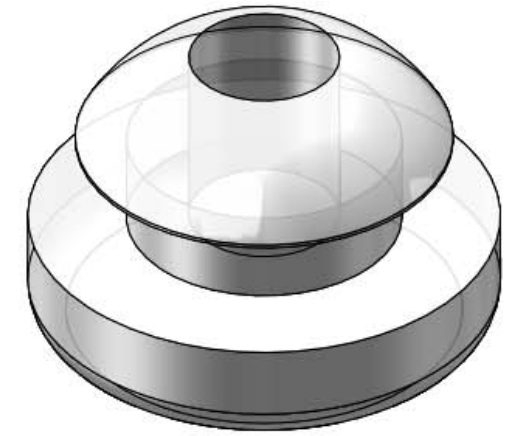
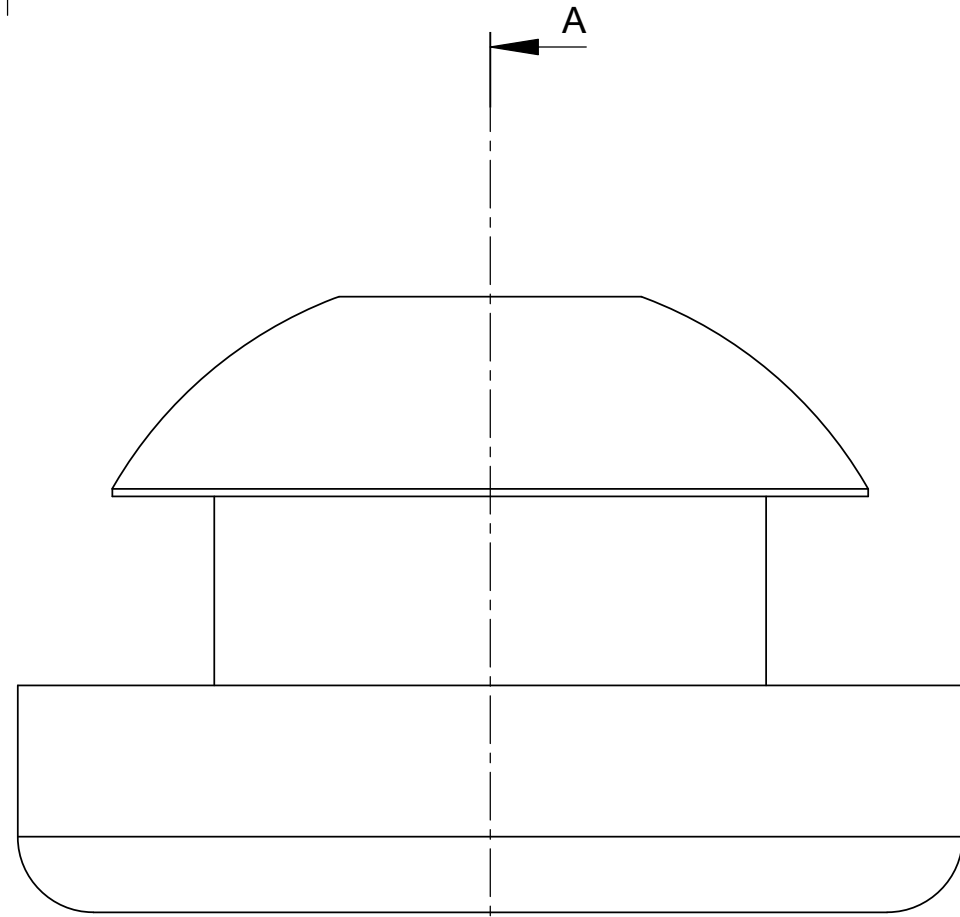


SECTION A-A



<small>PROPRIETARY AND CONFIDENTIAL. THE INFORMATION CONTAINED IN THIS DRAWING IS THE SOLE PROPERTY OF ALTINKAYA ENCLOSURES. ANY REPRODUCTION IN PART OR AS A WHOLE WITHOUT THE WRITTEN PERMISSION OF ALTINKAYA ENCLOSURES IS PROHIBITED.</small>			ARTICLE NO:	REVISION:
<small>DRAWN</small> Dursun DAŞDEMİR 28.12.2009 <small>CHECKED</small> Ali ALTINIŞIK 28.12.2009 <small>COMMENTS:</small> <small>MATERIAL:</small> <small>WEIGHT:</small>			 <small>ENCLOSURES FOR ELECTRONICS</small>	<small>CONTACT:</small> <a href="http://www.altinkaya.com.tr">www.altinkaya.com.tr</a>
			<small>TITLE:</small> <h2>Rubber Foot</h2>	
			<small>DWG. NO.</small> <h1>A-95-0-0-G-0-10321</h1>	<small>SCALE:</small> 10:1 <small>SHEET</small> 1 OF 1