

1

2

3

4

A

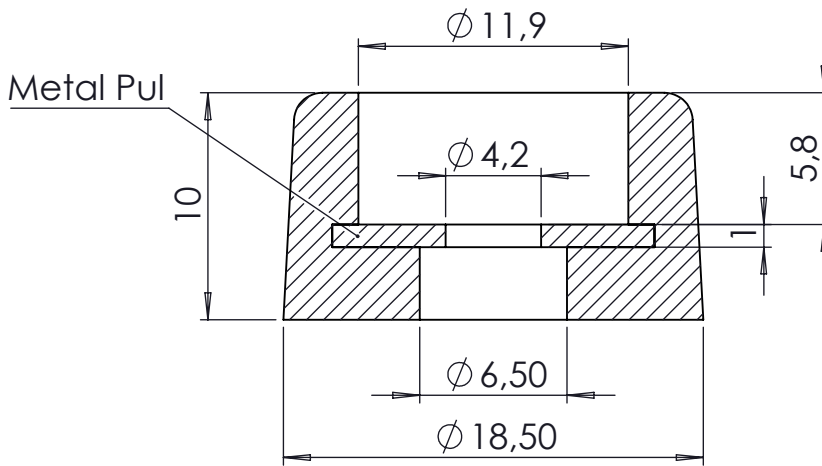
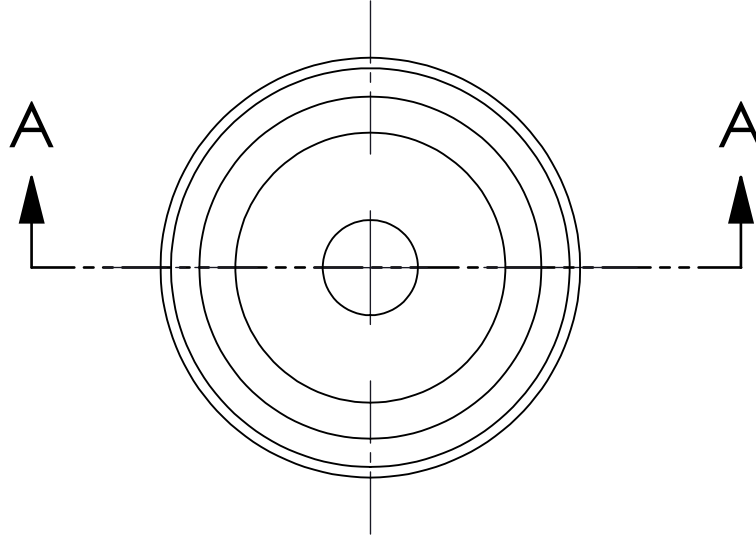
B

C


D

E

F



KESIT A-A

NAME	DATE	ARTICLE NO:	REVISION:	TITLE:
DRAWN	Dursun Daşdemir	18.12.19		A-84 Lastik Ayak
CHECKED	Ali Altınışık	18.12.19		
COMMENTS:				DWG NO.
This drawing is subject to technical modification without prior notice. Typographical and other errors do not justify any claims for damages. All dimensions should be verified using an actual produced part				
 ALTINKAYA ENCLOSURES FOR ELECTRONICS www.altinkaya.com.tr				A4
<small>PROPRIETARY AND CONFIDENTIAL THE INFORMATION CONTAINED IN THIS DRAWING IS THE SOLE PROPERTY OF ALTINKAYA ENCLOSURES. ANY REPRODUCTION IN PART OR AS A WHOLE WITHOUT THE WRITTEN PERMISSION OF ALTINKAYA ENCLOSURES IS PROHIBITED.</small>				
MATERIAL:				SCALE:3:1
WEIGHT:				SHEET 1 OF 1

