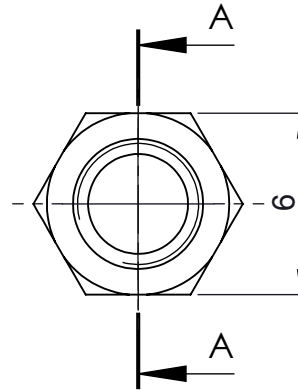
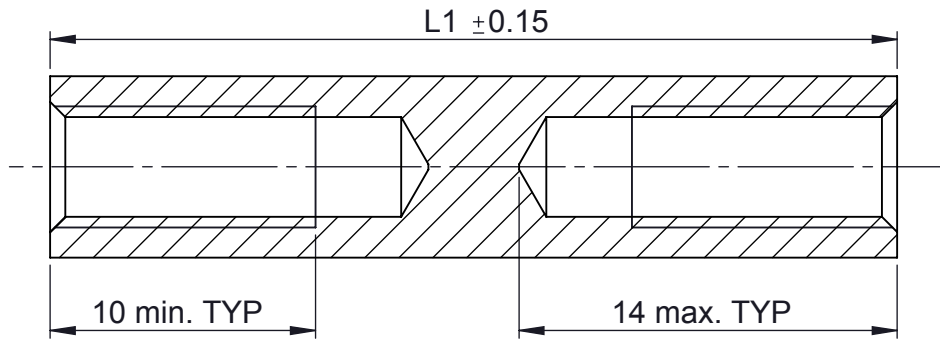


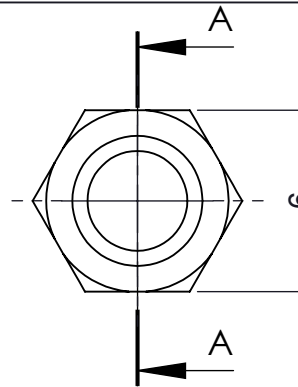
SECTION A-A



**ALL SPACERS UP TO INCLUDING 18 mm**




SECTION A-A



**ALL SPACERS OVER 18 mm**

Part No	L1	Part No	L1	Part No	L1	Part No	L1
YP-4005	5	YP-4011	11	YP-4017	17	YP-4030	30
YP-4006	6	YP-4012	12	YP-4018	18	YP-4036	36
YP-4007	7	YP-4013	13	YP-4019	19	YP-4040	40
YP-4008	8	YP-4014	14	YP-4020	20		
YP-4009	9	YP-4015	15	YP-4025	25		
YP-4010	10	YP-4016	16	YP-4026	26		

NAME	DATE	ARTICLE NO:	REVISION:	TITLE:		
DRAWN: Dursun Dağdemir				<b>M4 Female Threaded Brass Standoff</b>		
CHECKED: Ali Altınışık		COMMENTS: This drawing is subject to technical modification without prior notice. Typographical and other errors do not justify any claims for damages. All dimensions should be verified using an actual produced part.				
 ENCLOSURES FOR ELECTRONICS <a href="http://www.altinkaya.com.tr">www.altinkaya.com.tr</a>		DİKKAT: BU RESİM VE ÜRÜN ÖNCEDEN HABER VERİLMEKSİZİN DEĞİSTİREBİLİR. RESİM ÇİZİLİRKEN HATASIZ OLMASINA ÇALIŞILMASINA RAĞMEN RESİMDE HATALAR BULUNABİLİR. RESİMDEKİ HATALARDAN DOLAYI OLUSABİLECEK ZARARLAR İÇİN ALTINKAYA HIÇ BİR SORUMLULUK KABUL ETMEZ. BÜTÜN ÖLÇÜLER KULLANILMADAN ÖNCE ÜRETİLMİŞ GERÇEK BİR NUMUNEDEN KONTROL EDİLMELİDİR.		DWG NO:	<b>YP-4000</b>	
PROPRIETARY AND CONFIDENTIAL THE INFORMATION CONTAINED IN THIS DRAWING IS THE SOLE PROPERTY OF ALTINKAYA ENCLOSURES. ANY REPRODUCTION IN PART OR AS A WHOLE WITHOUT THE WRITTEN PERMISSION OF ALTINKAYA ENCLOSURES IS PROHIBITED.		MATERIAL: BRASS CW614N M TO BS EN12164 (CuZn39Pb3)		WEIGHT:	SCALE: 4:14:1	SHEET 1 OF 1

A4

