

A

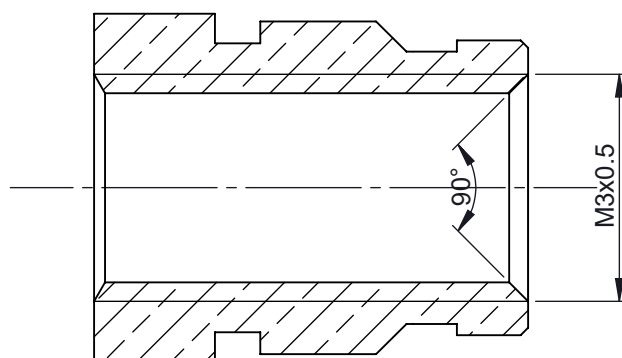
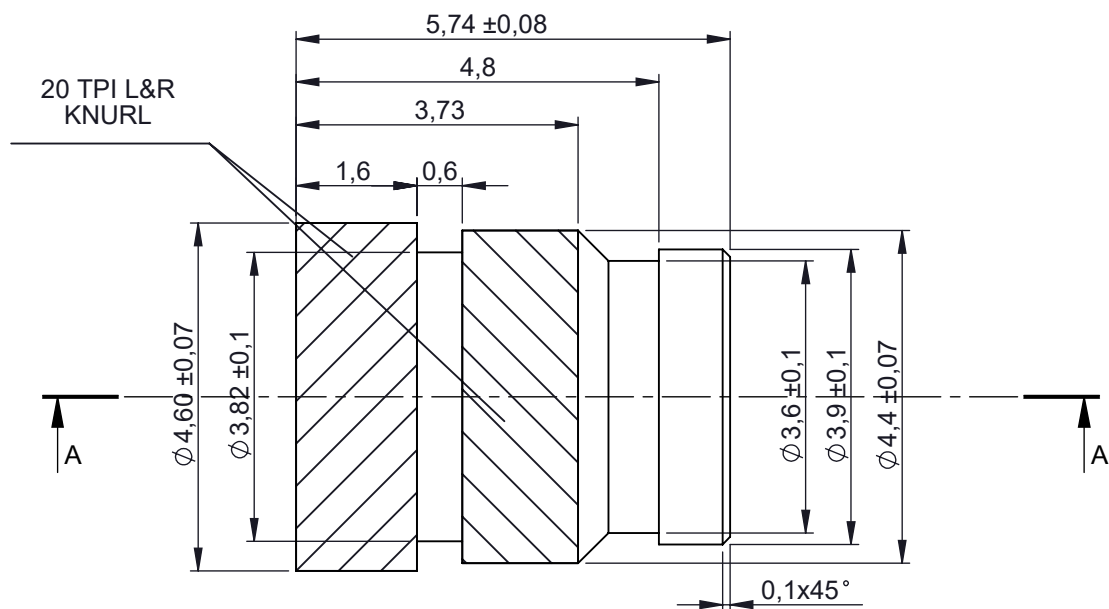
B

C

D

E

F



SECTION A-A

	NAME	DATE	ARTICLE NO:	REVISION:	TITLE:
DRAWN	Dursun Daşdemir	29.12.07			M3x5.75 Brass Insert
CHECKED	Ali Altınışık	29.12.07			
			COMMENTS:		DWG NO.
			DIMENSIONS ARE IN MILLIMETERS, DEBUR AND BREAK SHARP EDGES		A-651-0-0-P-0-11296
					A4
			MATERIAL: Brass RoHS compliant		SCALE:10:1
			WEIGHT:		SHEET 1 OF 1

ALTINKAYA
ENCLOSURES FOR ELECTRONICS
www.altinkaya.com.tr

PROPRIETARY AND CONFIDENTIAL
THE INFORMATION CONTAINED IN THIS DRAWING IS
THE SOLE PROPERTY OF ALTINKAYA ENCLOSURES.
ANY REPRODUCTION IN PART OR AS A WHOLE
WITHOUT THE WRITTEN PERMISSION OF ALTINKAYA
ENCLOSURES IS PROHIBITED.

