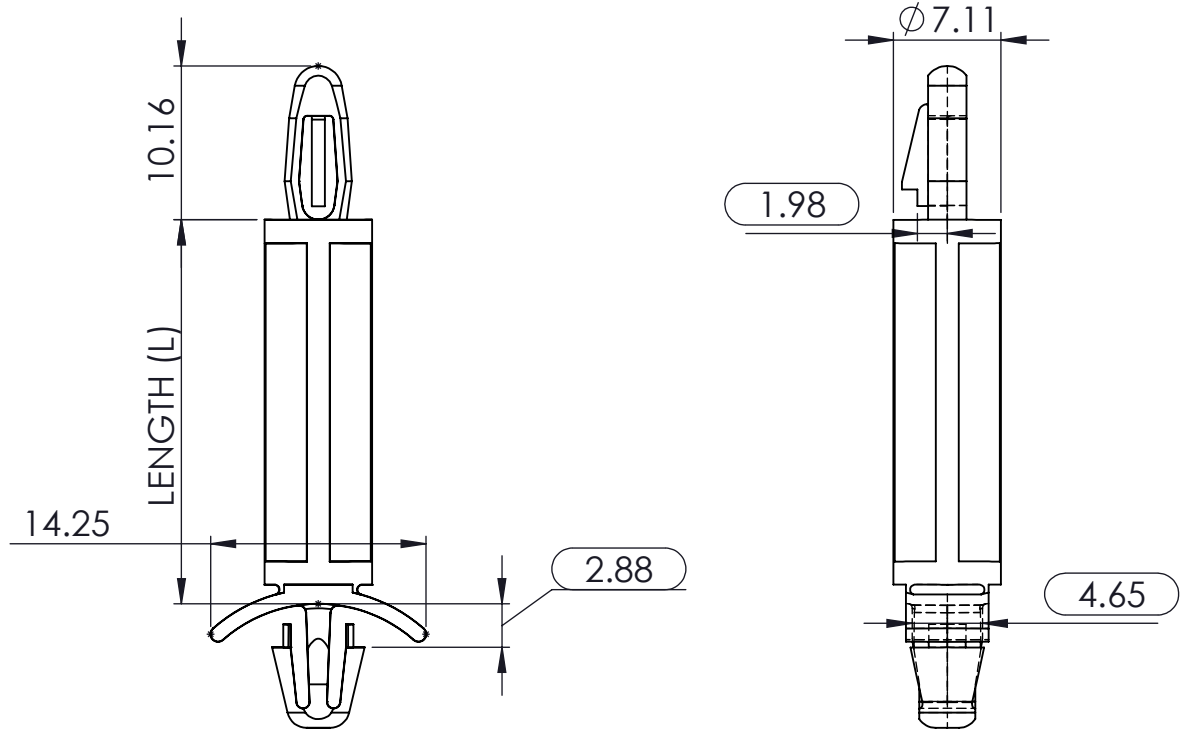



Top Hole: Snap lock 4 +/- 0.08mm  
 Panel thickness: 1.6 mm



Bottom Hole Snap lock: 4.75 +/- 0.08  
 Panel Thickness: 0,8 - 2,0 mm

KOD	L (mm)
YP-805	4.75
YP-810	9.53
YP-816	15.875
YP-822	22.225

	NAME	DATE	ARTICLE NO:	REVISION:
DRAWN	Dursun Dağdemir			
CHECKED	Ali Altınışık		COMMENTS:	
 <b>www.altinkaya.com.tr</b>			DIMENSIONS ARE IN MILLIMETERS. DEBUR AND BREAK SHARP EDGES	
PROPRIETARY AND CONFIDENTIAL THE INFORMATION CONTAINED IN THIS DRAWING IS THE SOLE PROPERTY OF ALTINKAYA ENCLOSURES. ANY REPRODUCTION IN PART OR AS A WHOLE WITHOUT THE WRITTEN PERMISSION OF ALTINKAYA ENCLOSURES IS PROHIBITED.				
<b>MATERIAL: Nylon, UL Rated 94V-0</b>				

TITLE:		<b>INSULATED PC          SPACERS / SUPPORTS</b>	
DWG NO.			
WEIGHT:		SCALE:2:1	A4
SHEET 1 OF 1		