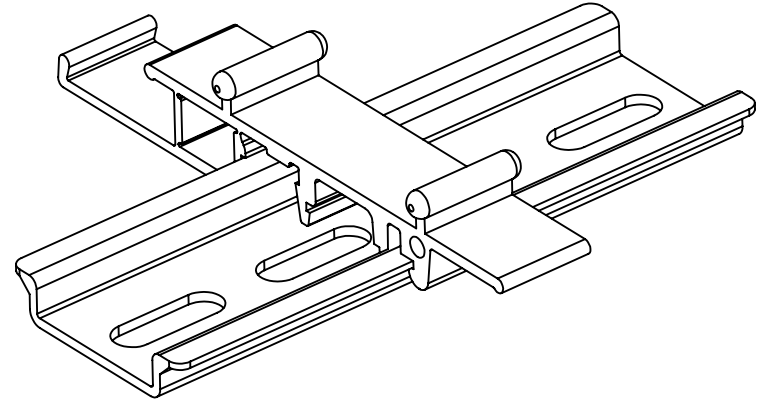
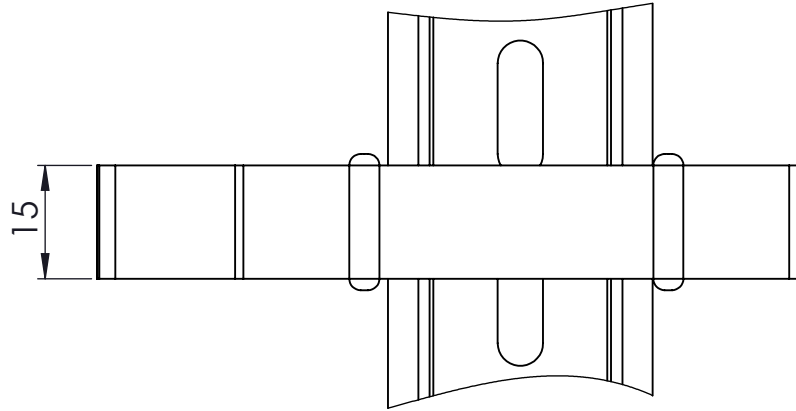



AL-035
DIN RAY



NAME	DATE	ARTICLE NO:	REVISION:	TITLE:
DRAWN Dursun Daşdemir	04.08.15			107 mm Kart Beşığı Ray Bağlantı Parçası
CHECKED Ali Altınışık	04.08.15	COMMENTS: DIMENSIONS ARE IN MILLIMETERS. DEBUR AND BREAK SHARP EDGES		
 ENCLOSURES FOR ELECTRONICS www.altinkaya.com.tr				DWG NO. RT-077-4
PROPRIETARY AND CONFIDENTIAL THE INFORMATION CONTAINED IN THIS DRAWING IS THE SOLE PROPERTY OF ALTINKAYA ENCLOSURES. ANY REPRODUCTION IN PART OR AS A WHOLE WITHOUT THE WRITTEN PERMISSION OF ALTINKAYA ENCLOSURES IS PROHIBITED.		MATERIAL:		A4
		WEIGHT:	SCALE:1:1	SHEET 1 OF 1

